

[54] ELECTRICAL CONNECTOR

[75] Inventor: Norio Ichitsubo, Yao, Japan

[73] Assignee: Hosiden Electronics Co., Ltd., Yao, Japan

[**] Term: 14 Years

[21] Appl. No.: 312,250

[22] Filed: Feb. 21, 1989

[30] Foreign Application Priority Data

Aug. 24, 1988 [JP] Japan 63-33514
[52] U.S. Cl. D13/147
[58] Field of Search D13/133, 146, 147;
439/325, 329, 377, 492, 493, 497, 499, 629, 630

[56] References Cited

U.S. PATENT DOCUMENTS

Re. 32,559 12/1987 Fedder et al. 439/325
3,496,514 2/1970 Gallentine 439/325 X

4,299,433 11/1981 Jayne 439/329 X
4,527,849 7/1985 Marach 439/347 X
4,586,254 5/1986 Ammon et al. 439/636 X

Primary Examiner—Susan J. Lucas
Assistant Examiner—J. Sincavage
Attorney, Agent, or Firm—Jones, Tullar & Cooper

[57] CLAIM

The ornamental design for an electrical connector, as shown and described.

DESCRIPTION

FIG. 1 is a front, top and right side perspective view of an electrical connector showing my new design;
FIG. 2 is a rear, bottom and right side perspective view thereof;
FIG. 3 is a front elevational view thereof;
FIG. 4 is a rear elevational view thereof;
FIG. 5 is a right side elevational view thereof;
FIG. 6 is a left side elevational view thereof;
FIG. 7 is a top plan view thereof;
FIG. 8 is a bottom plan view thereof.

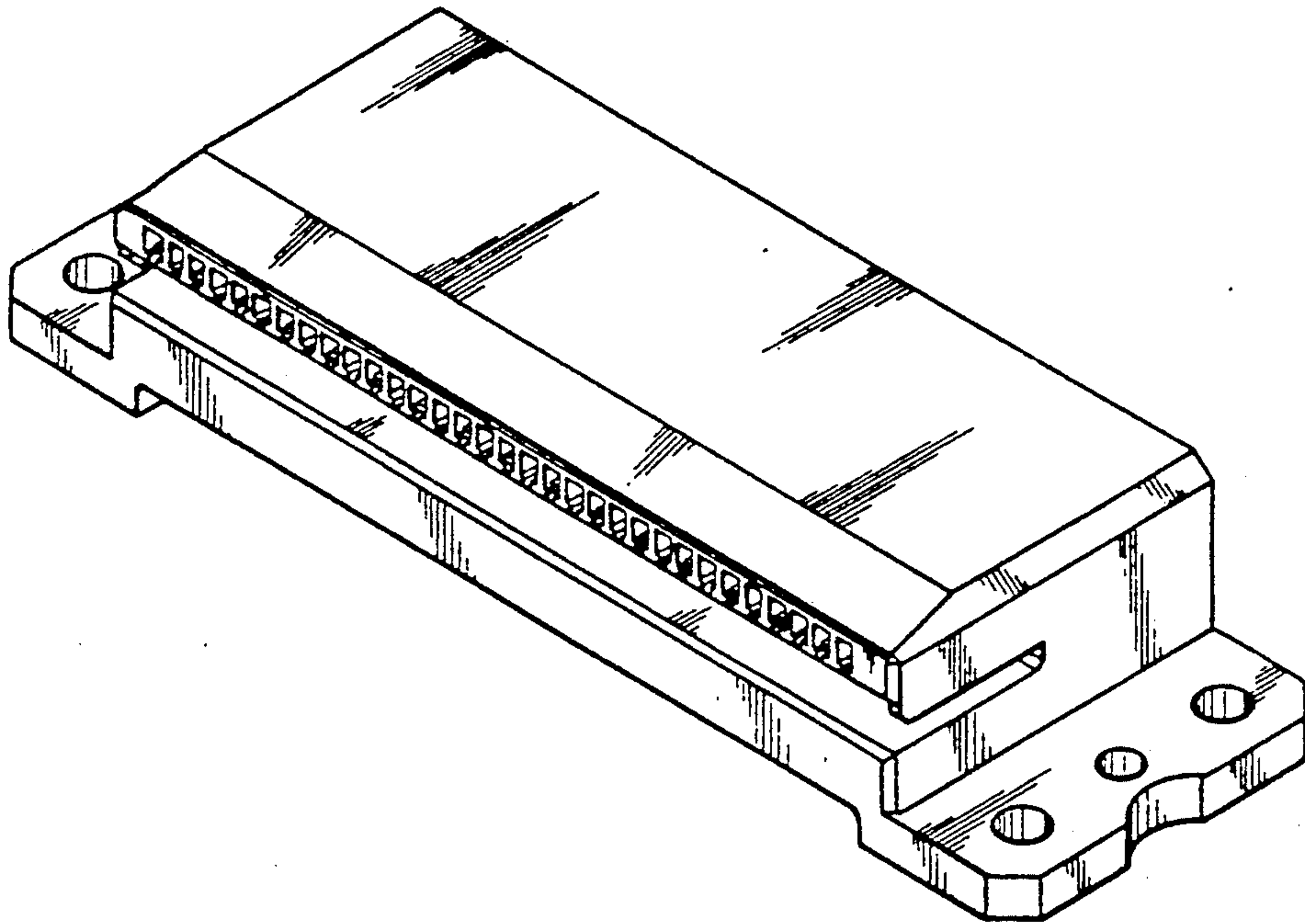


FIG. 1

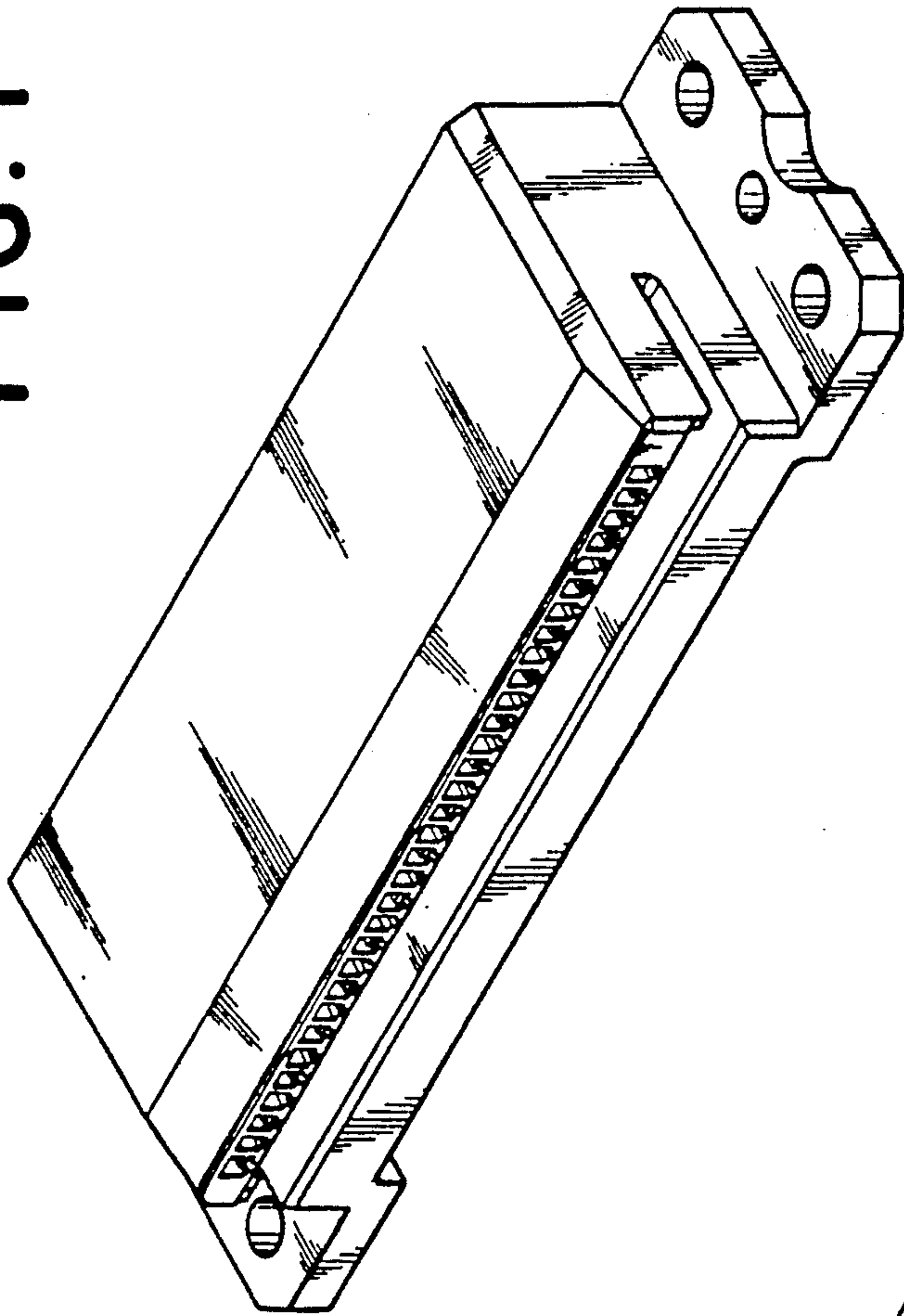


FIG. 2

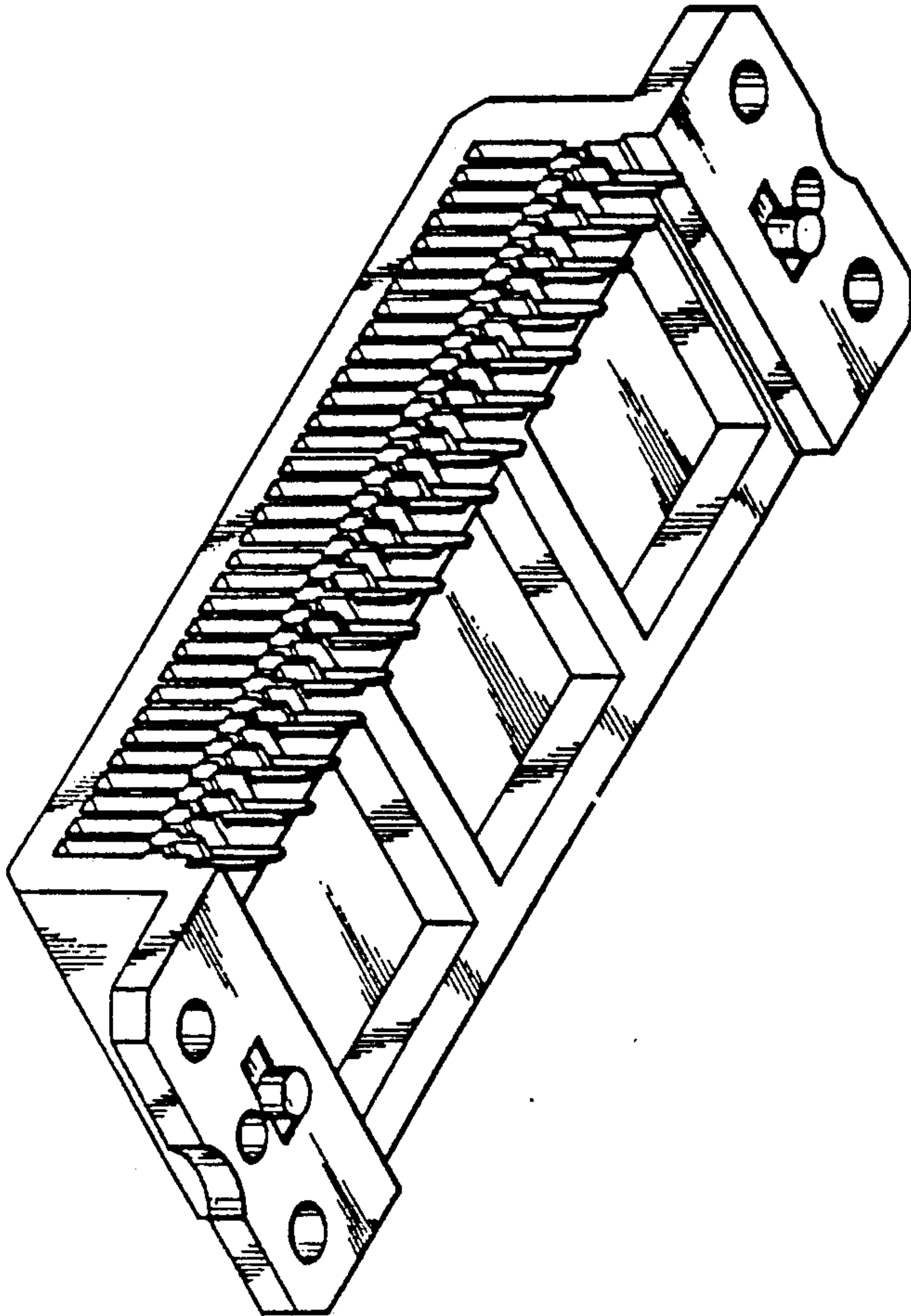


FIG. 3

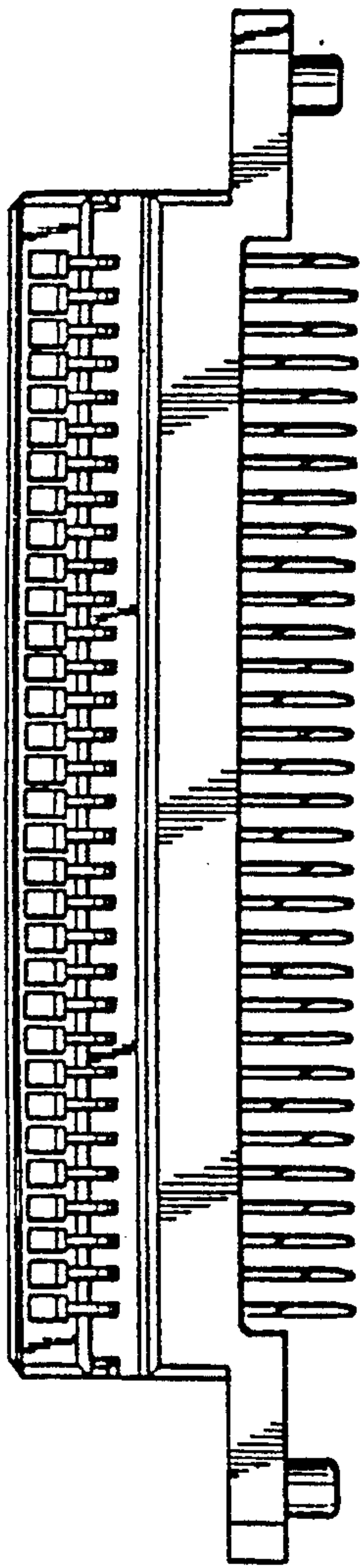


FIG. 5

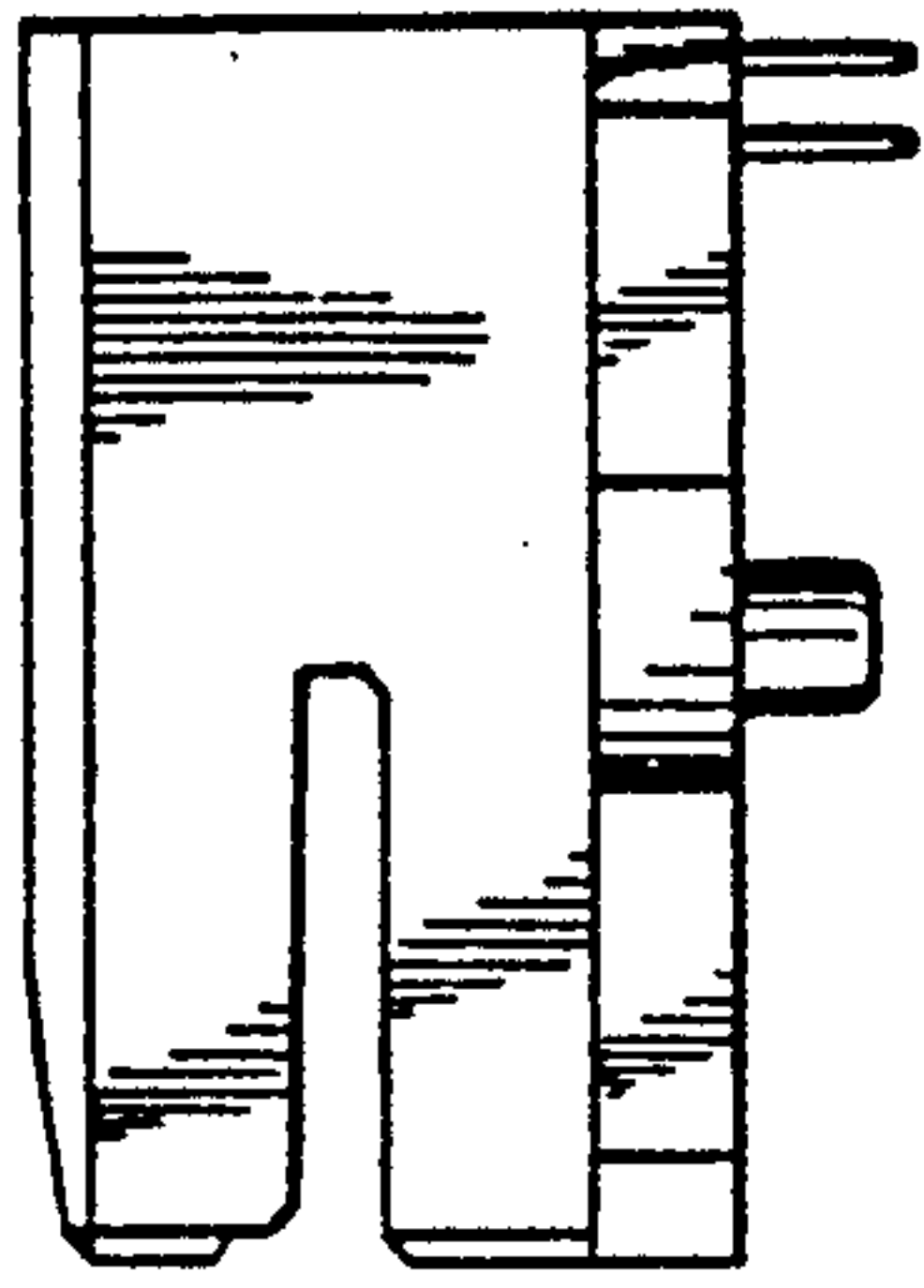


FIG. 4

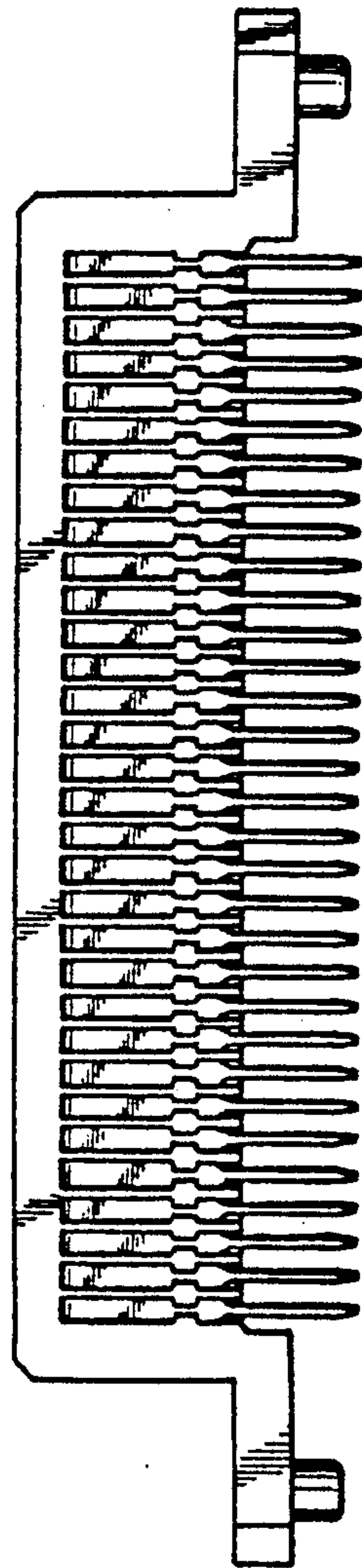


FIG. 6

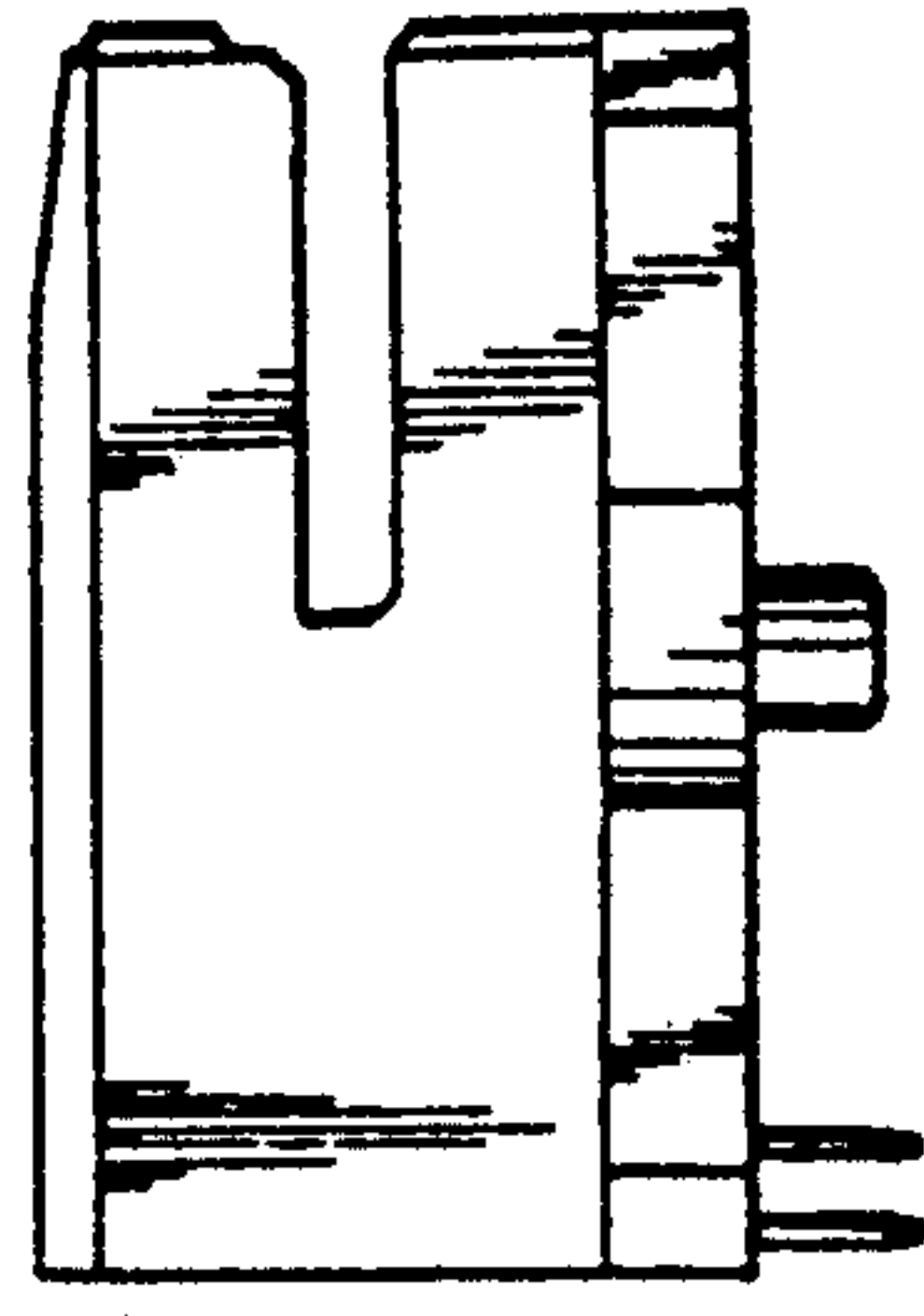


FIG. 7

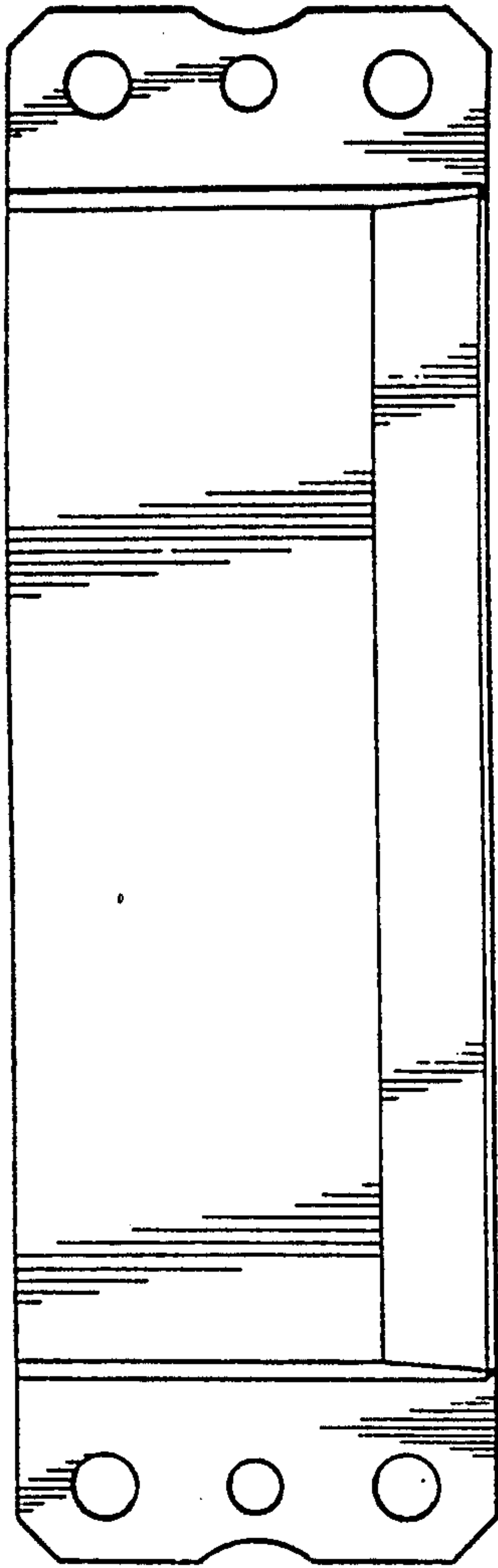


FIG. 8

