

[54] HOUSING FOR AN ELECTRONIC POWER SUPPLY FOR WARNING LIGHTS

[75] Inventor: Stephen C. Bibbiani, Westbrook, Conn.

[73] Assignee: Whelen Technologies, Inc., Chester, Conn.

[**] Term: 14 Years

[21] Appl. No.: 372,301

[22] Filed: Jun. 23, 1989

[52] U.S. Cl. D13/123; D13/162; D13/164

[58] Field of Search D13/110, 123, 158, 162, D13/164, 171, 184; D14/100, 102, 240, 256; D10/50, 51, 52, 57, 60; 361/331, 332, 334, 335, 346, 356, 386

[56] References Cited

U.S. PATENT DOCUMENTS

- D. 271,584 11/1983 Arrigoni D13/164
- D. 273,488 4/1984 Rosenbaum et al. D13/164
- D. 274,043 5/1984 Paine D10/50
- D. 278,142 3/1985 Chan D13/164
- D. 282,530 2/1986 Waltman D10/60 X

D. 232,642 2/1986 Shu-ken D10/52 X

Primary Examiner—Susan J. Lucas

Assistant Examiner—J. Sincavage

Attorney, Agent, or Firm—Chilton, Alix & Van Kirk

[57] CLAIM

The ornamental design for a housing for an electronic power supply for warning lights, as shown and described.

DESCRIPTION

FIG. 1 is a top plan view of a housing for an electronic power supply for warning lights showing my new design;

FIG. 2 is a front elevation view thereof;

FIG. 3 is a rear elevation view thereof;

FIG. 4 is a bottom plan view thereof;

FIG. 5 is a right side elevational view thereof;

FIG. 6 is a left side elevational view thereof;

FIG. 7 is a perspective view thereof; and

FIG. 8 is a perspective view of a housing for an electronic power supply for warning lights showing a second embodiment of my new design. The plan and elevational views are the same as the first embodiment with the omission of the large vertical rectangular element at the right side of FIG. 1.

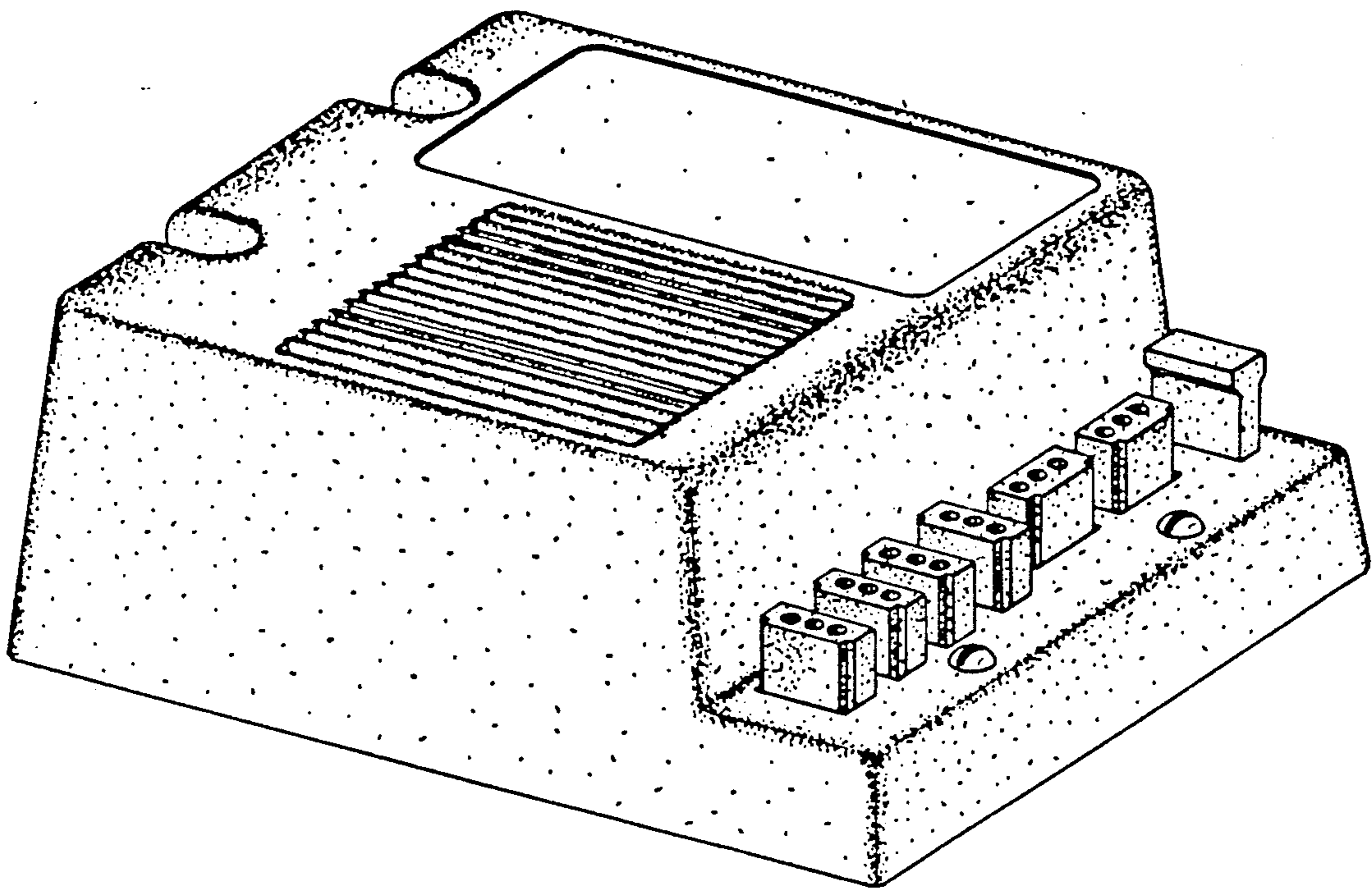


FIG. 1

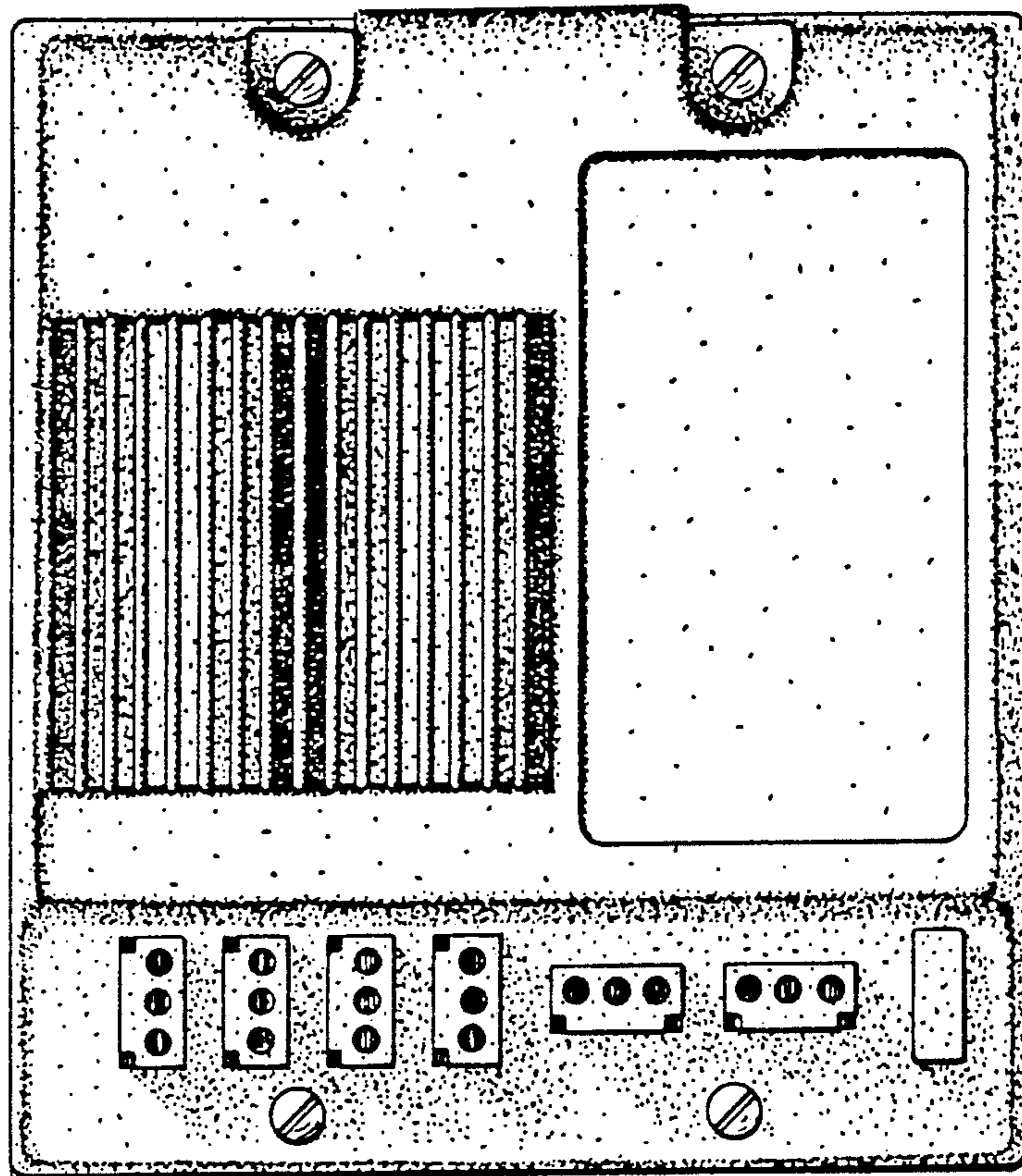


FIG. 2

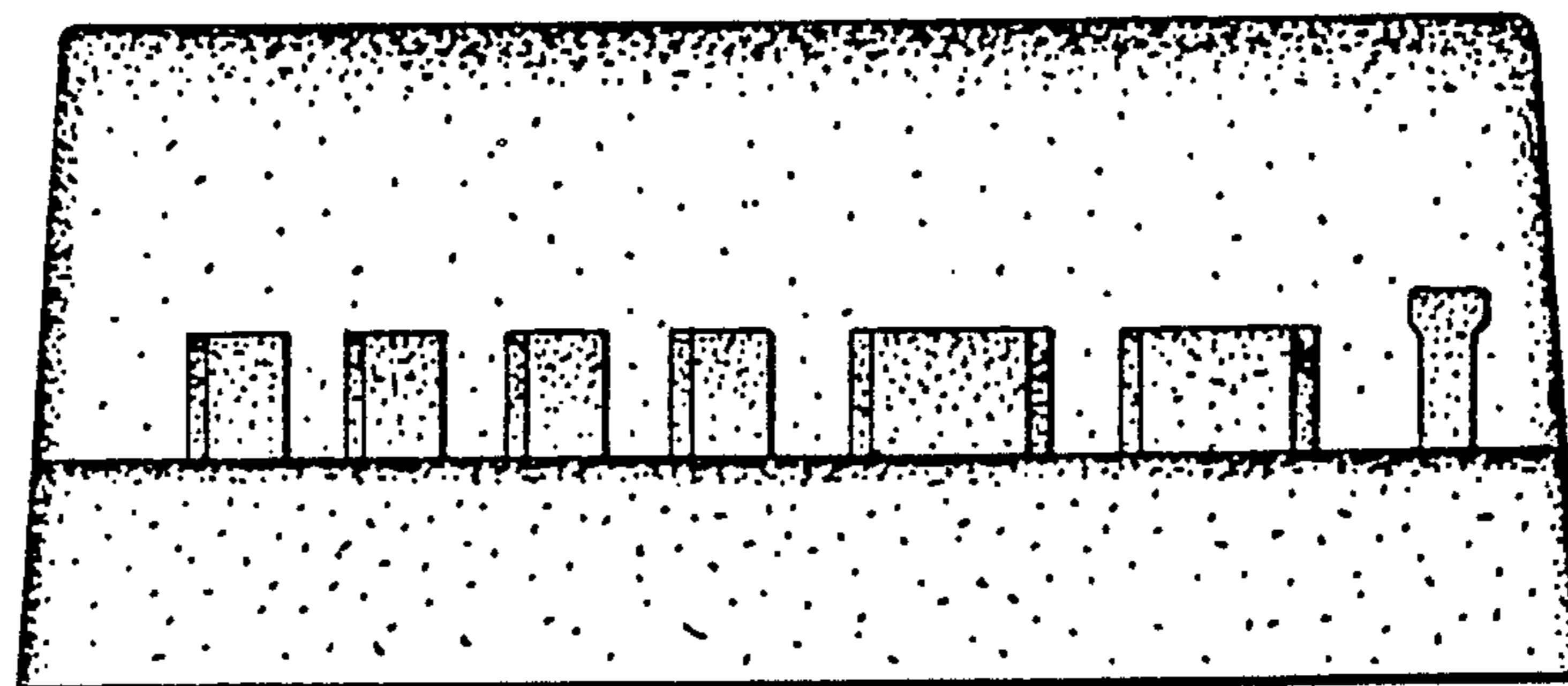
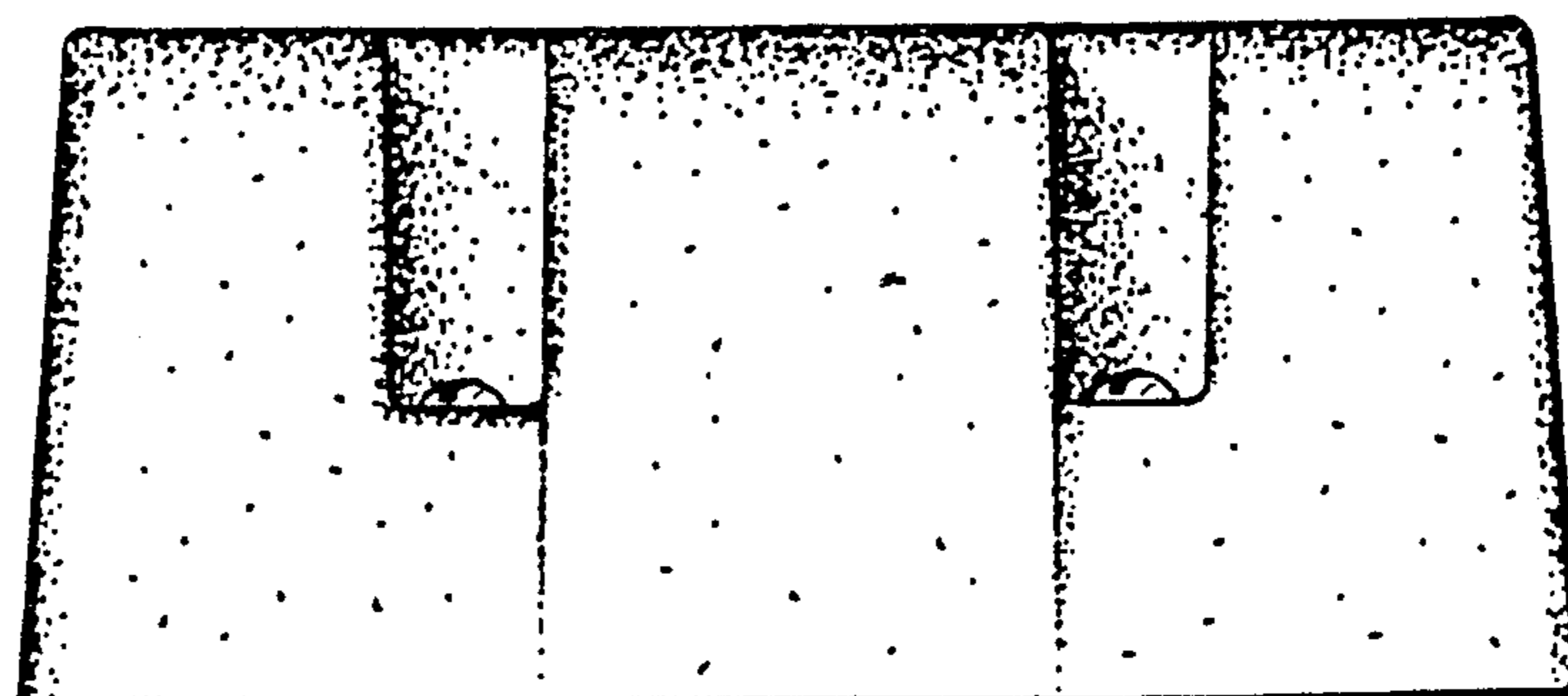


FIG. 3



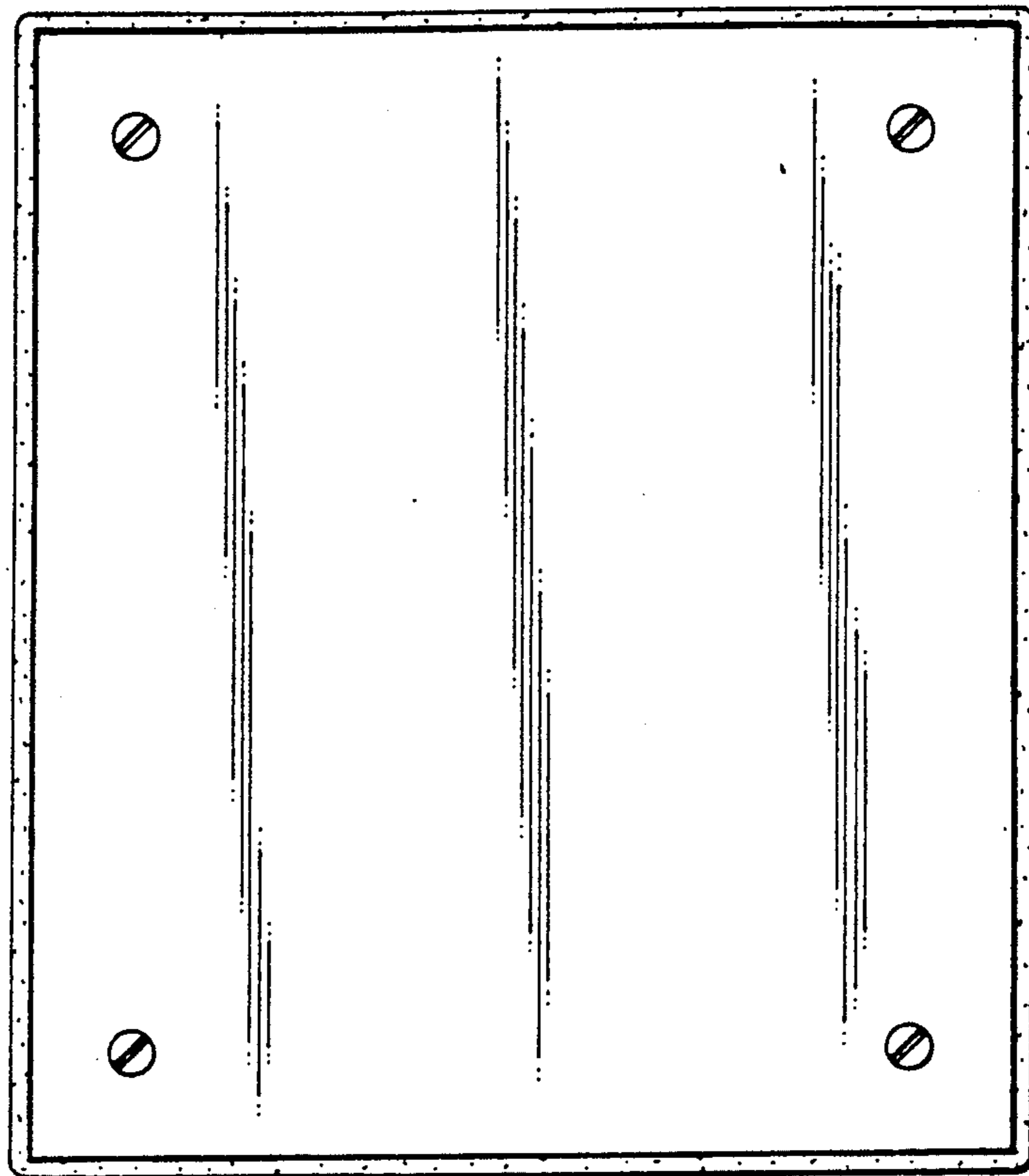


FIG. 4

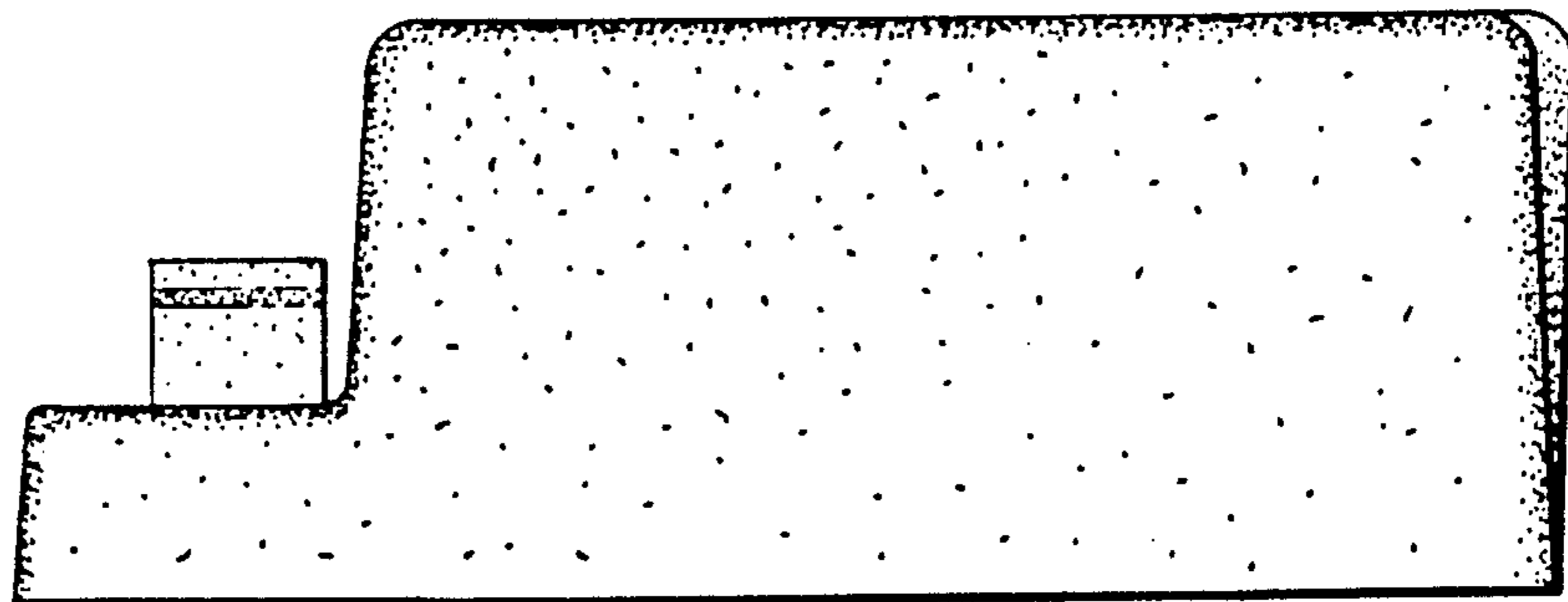


FIG. 5

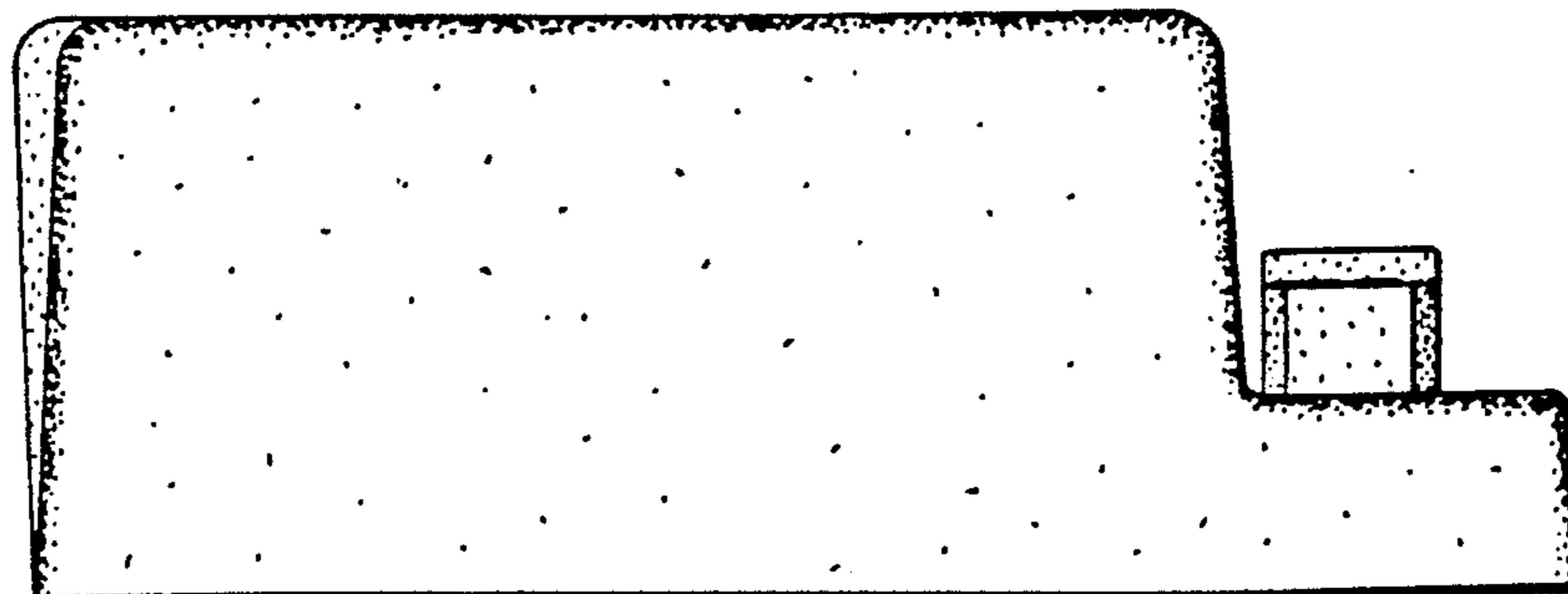


FIG. 6

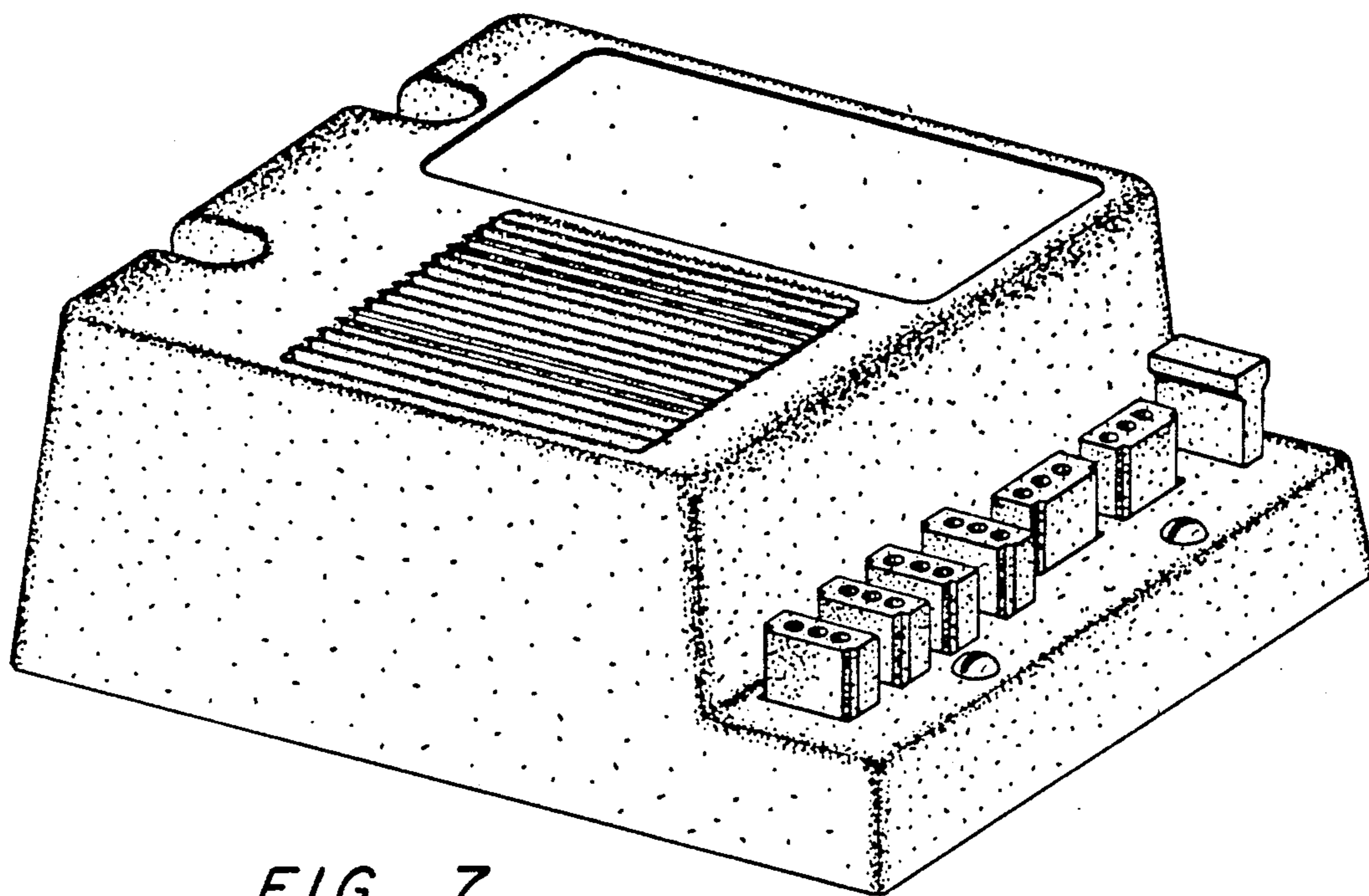


FIG. 7

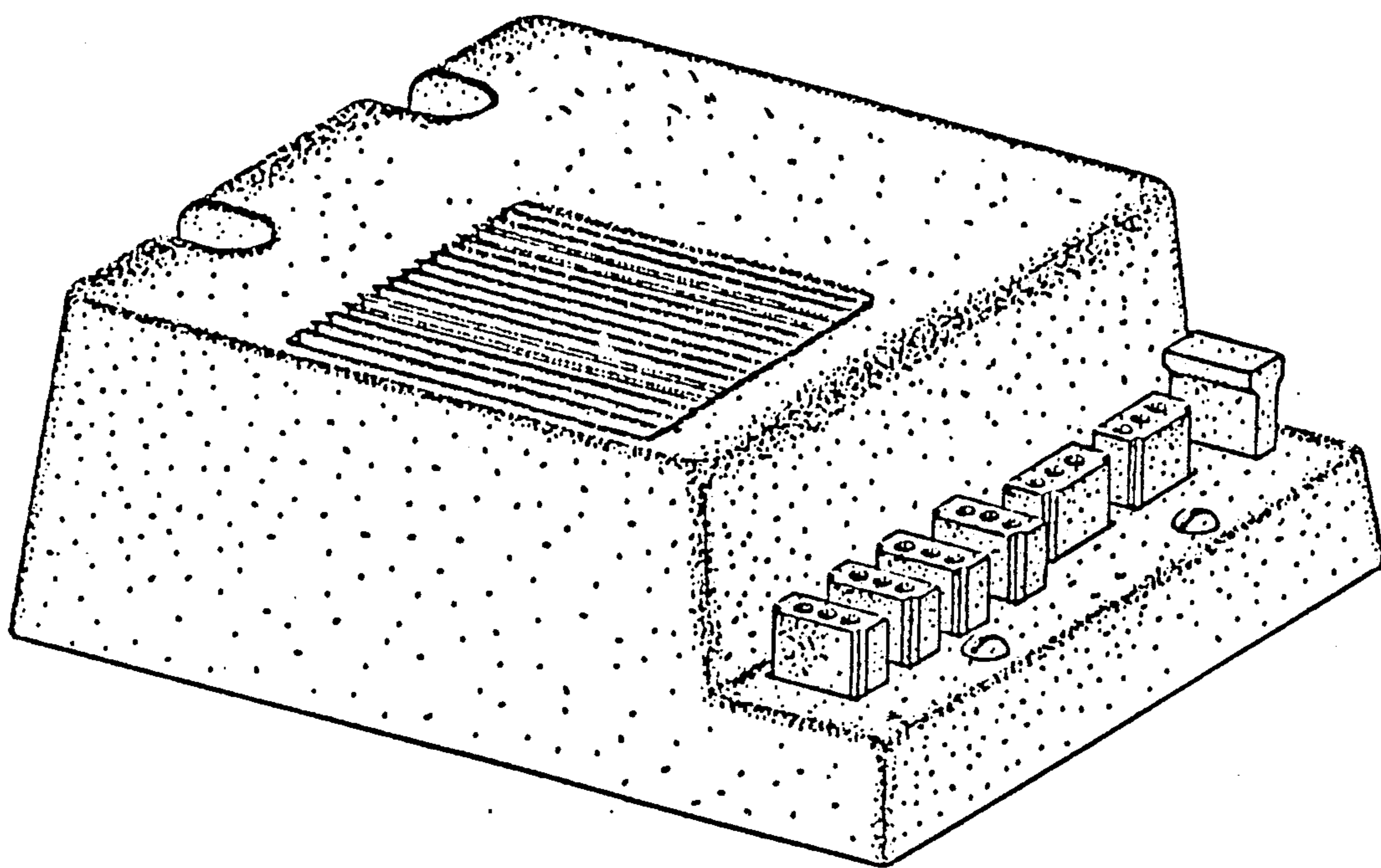


FIG. 8