

[54] TOKEN OR SIMILAR ARTICLE

[76] Inventor: John W. Moore, 1030 N. Dearborn St., Chicago, Ill. 60610

[**] Term: 14 Years

[21] Appl. No.: 452,952

[22] Filed: Dec. 19, 1989

[52] U.S. Cl. D11/95; D11/131; D21/55

[58] Field of Search D11/95, 131, 184; 428/542.2; 40/27.5; D21/53, 55, 56; D8/99

[56] References Cited

U.S. PATENT DOCUMENTS

D. 75,656	6/1928	Schierloh	D11/95
D. 205,779	9/1966	Hakin	D21/53
768,124	8/1904	Heene	40/27.5
1,512,604	10/1924	Kaynor	D11/99 X
1,519,389	12/1924	Wentes	D21/55 X
1,935,308	11/1933	Baltzley	40/27.5
2,410,845	11/1946	Snell et al.	
4,185,730	1/1980	Roes et al.	

4,509,632	4/1985	Jaffe	
4,674,818	6/1987	McMills et al.	
4,810,539	3/1989	Todd	428/542.2 X

OTHER PUBLICATIONS

Handbook of Designs and Devices; 1946; p. 36; FIG. 322.

Primary Examiner—B. J. Bullock
Assistant Examiner—Dominic Simone
Attorney, Agent, or Firm—Gerlach & O'Brien

[57] CLAIM

The ornamental design for a token or similar article, as shown.

DESCRIPTION

FIG. 1 is a perspective view of a token or similar article embodying my new design;
FIG. 2 is a front elevational view thereof;
FIG. 3 is an end elevational view thereof; and
FIG. 4 is an enlarged cross-sectional view thereof, taken in the direction of the arrows along line 4—4 of FIG. 1.

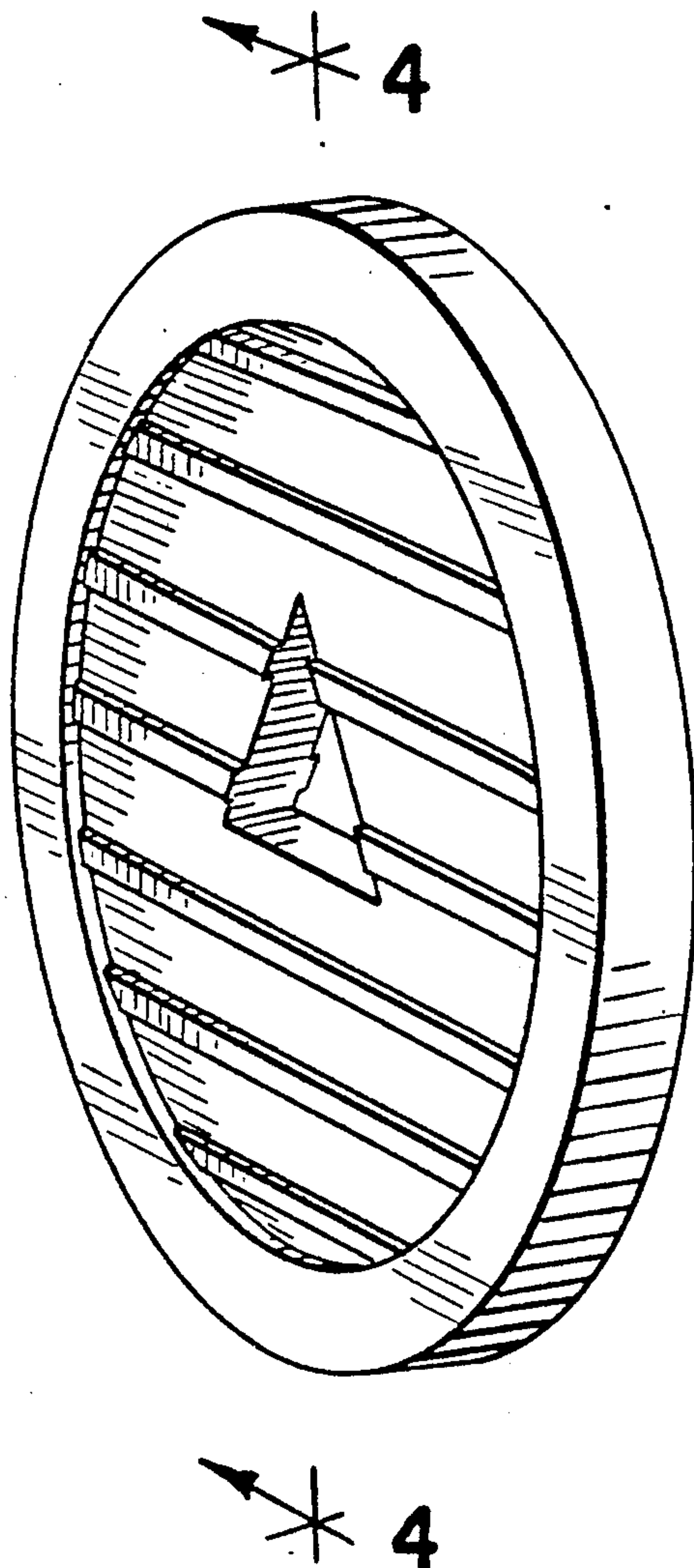


FIG. 1

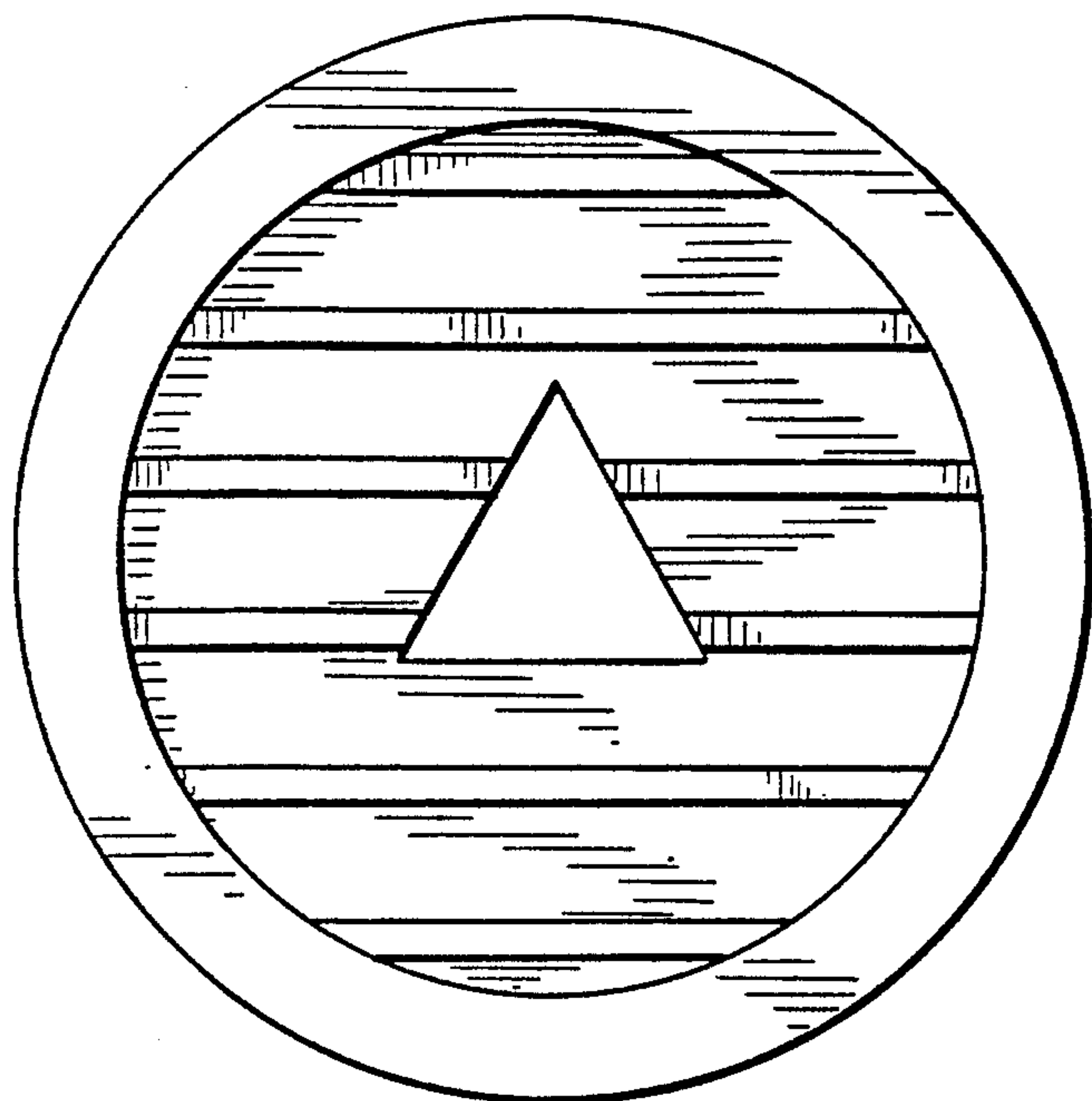
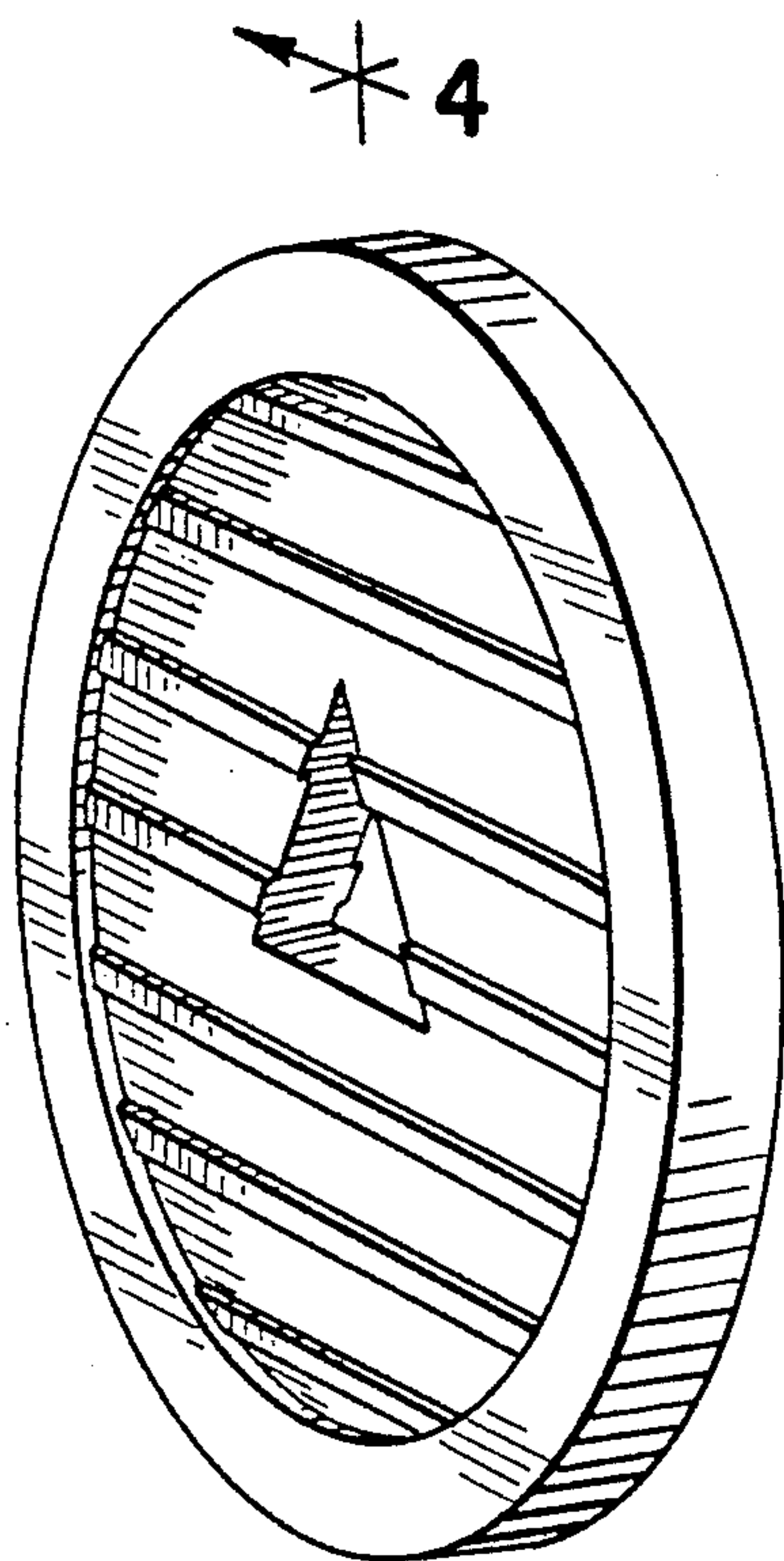


FIG. 2

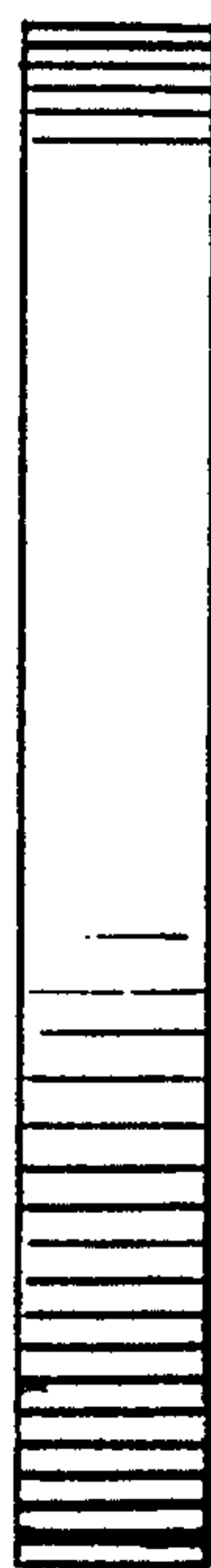


FIG. 3

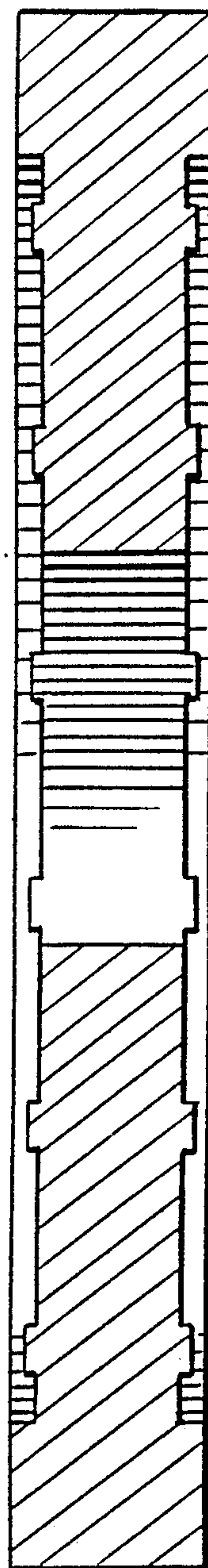


FIG. 4