

[54] TRANSMITTER BUOY

[75] Inventors: Albert C. Paulovitz, Kennett Square;  
Peter W. Bressler; David R. Schiff,  
both of Philadelphia, all of Pa.

[73] Assignee: Litton Systems, Inc., Springfield, Pa.

[\*\*] Term: 14 Years

[21] Appl. No.: 332,210

[22] Filed: Mar. 31, 1989

[52] U.S. Cl. .... D10/107

[58] Field of Search ..... D10/104, 106, 107;  
441/1, 6, 11, 13; 116/107

2,397,844 4/1946 Dewhurst ..... D10/107

2,572,676 10/1951 Dwyers ..... 441/6

3,506,841 4/1970 Majkrzak ..... 441/11

3,702,014 11/1972 Rabon et al. .... 441/6

4,669,989 6/1987 Havlick ..... 441/1

4,927,394 5/1990 Galgana ..... 441/1

Primary Examiner—Wallace R. Burke  
Assistant Examiner—Marcus Jackson  
Attorney, Agent, or Firm—Brian L. Ribando

[57] CLAIM

The ornamental design for the transmitter buoy, as shown and described.

DESCRIPTION

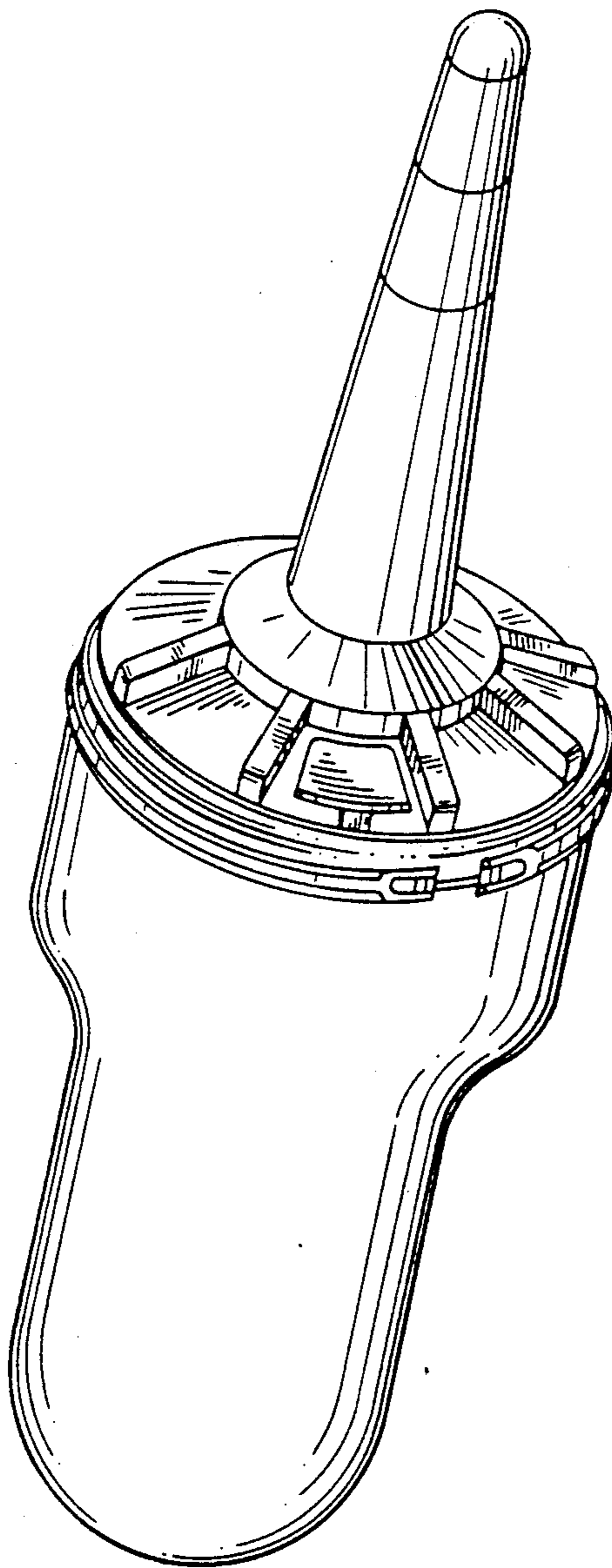
FIG. 1 is a front elevational view of a transmitter buoy showing our new design;  
FIG. 2 is a top plan view thereof;  
FIG. 3 is a top perspective view thereof.

[56] References Cited

U.S. PATENT DOCUMENTS

D. 63,796 1/1924 Mulholland ..... D10/107

D. 291,289 8/1987 Leo ..... D10/107



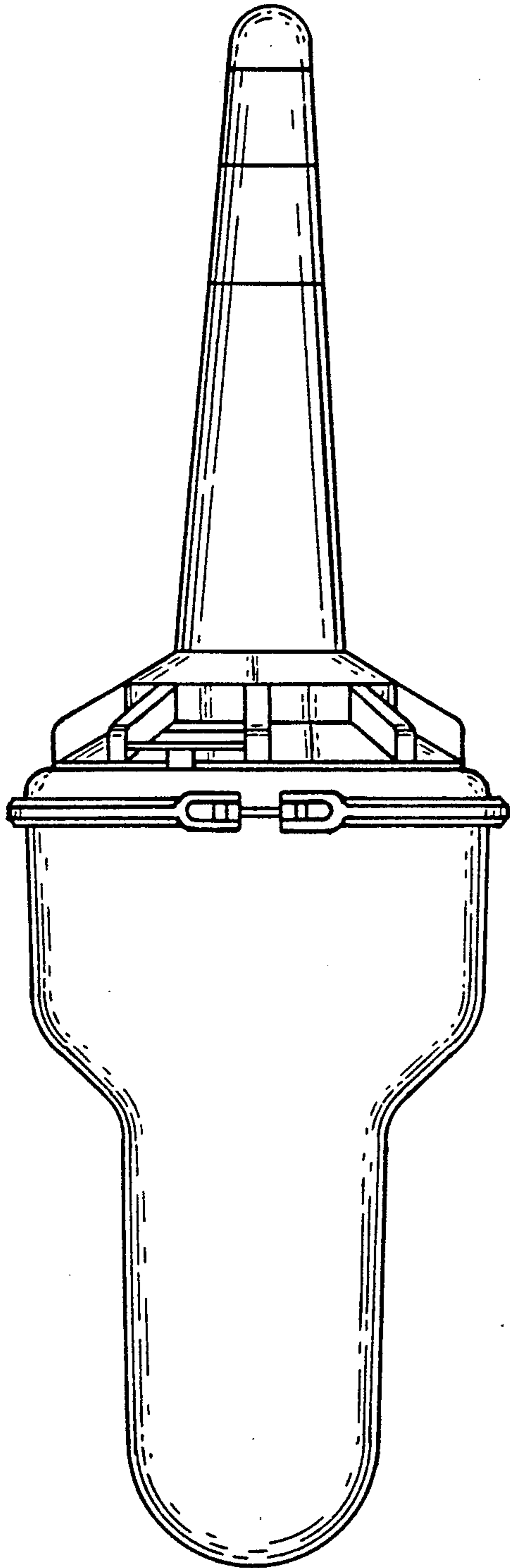


Fig-1

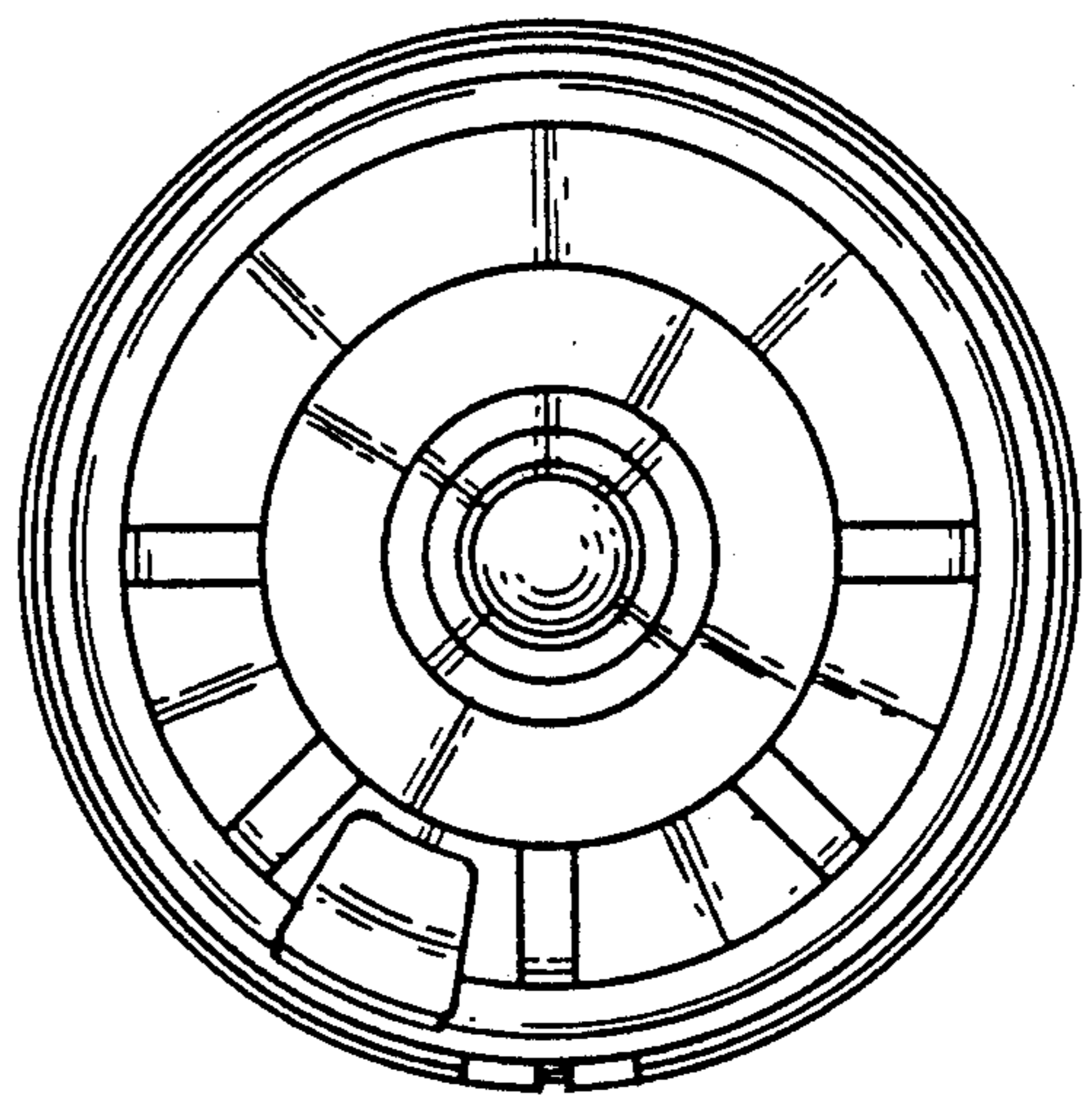


Fig-2

FIG. 3

