

[54] TAPE MEASURE WITH A DIGITAL DISPLAY

[75] Inventor: Nicholas A. Brawne, San Francisco, Calif.

[73] Assignee: Homestar International, Inc., Pleasanton, Calif.

[**] Term: 14 Years

[21] Appl. No.: 324,339

[22] Filed: Mar. 16, 1989

[52] U.S. Cl. D10/72

[58] Field of Search D10/72; 33/755, 761, 33/762, 763, 769; 242/84.8, 85, 107.2, 107.3

[56] References Cited

U.S. PATENT DOCUMENTS

D. 312,419	11/1990	Kang	D10/72
4,161,781	7/1979	Hildebrandt et al.	33/763 X
4,242,574	12/1980	Grant	33/763 X
4,535,415	8/1985	Hird	33/763 X
4,575,944	3/1986	Lin	33/762
4,580,347	4/1986	McKnight	33/769 X
4,658,134	4/1987	Okumura	33/762 X

FOREIGN PATENT DOCUMENTS

235009	11/1985	Japan	33/763
76401	4/1987	Japan	33/765
2217459	10/1989	United Kingdom	33/763

OTHER PUBLICATIONS

Design, Design House Measuring Tapes, 8/88, p. 59.

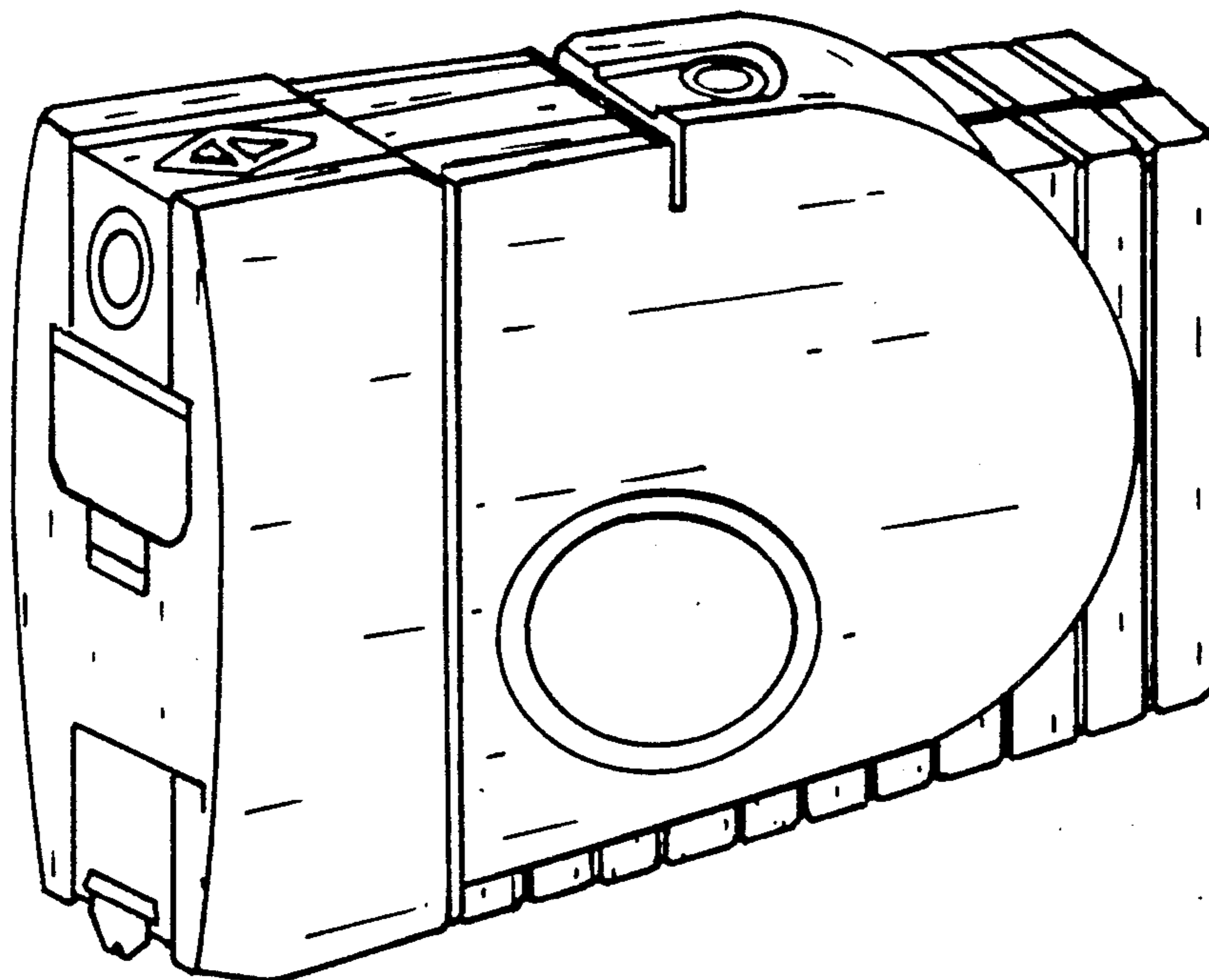
Primary Examiner—Nelson C. Holtje
Assistant Examiner—Antoine D. Davis
Attorney, Agent, or Firm—Fliesler, Dubb, Meyer & Lovejoy

[57] CLAIM

The ornamental design for a tape measure with a digital display, as shown.

DESCRIPTION

FIG. 1 is a top, front and left side perspective view of a tape measure with a digital display showing my new design;
FIG. 2 is a left side elevational view;
FIG. 3 is a rear elevational view;
FIG. 4 is a front elevational view;
FIG. 5 is a right side elevational view;
FIG. 6 is a top plan view; and
FIG. 7 is a bottom plan view thereof.



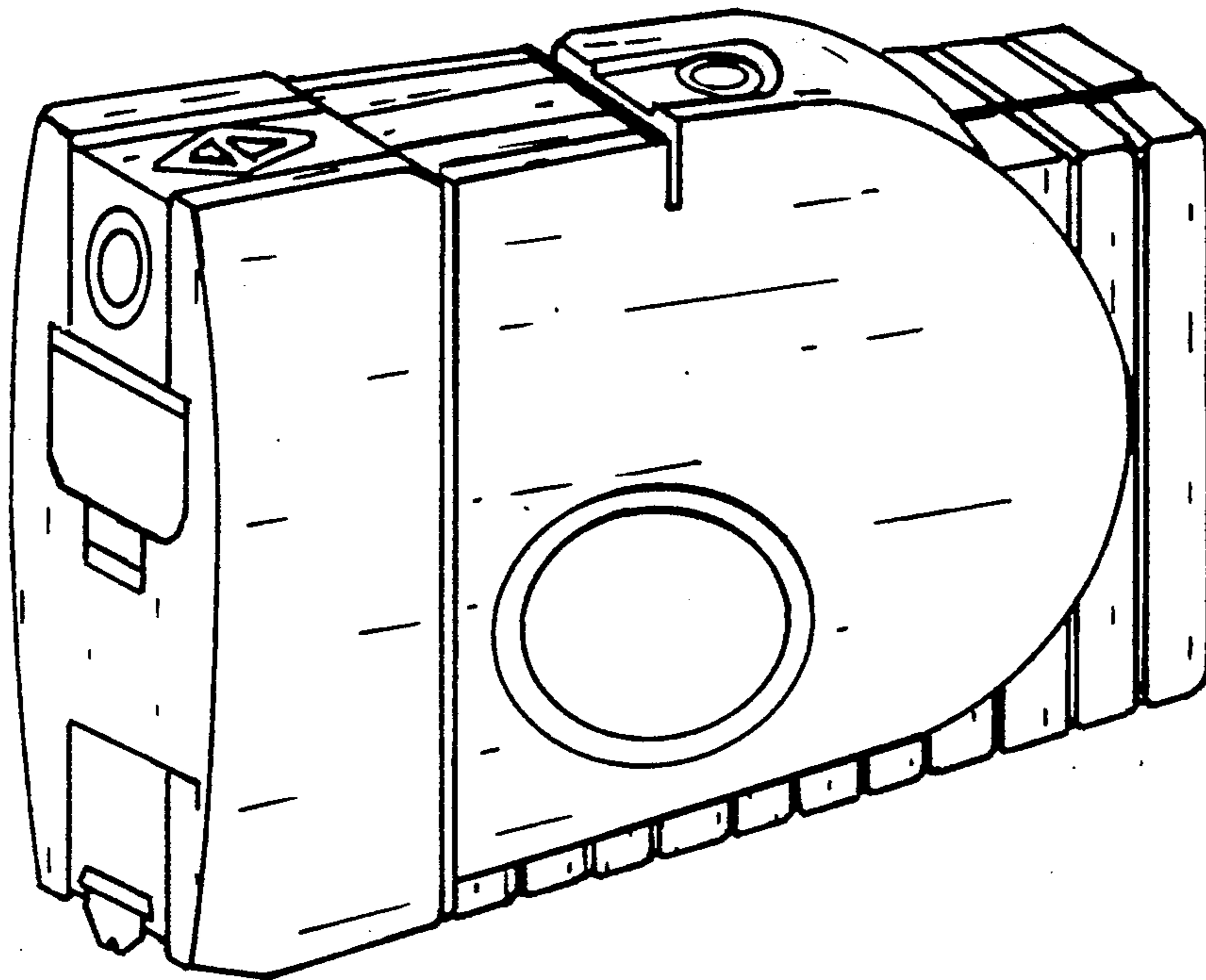


FIG. -1

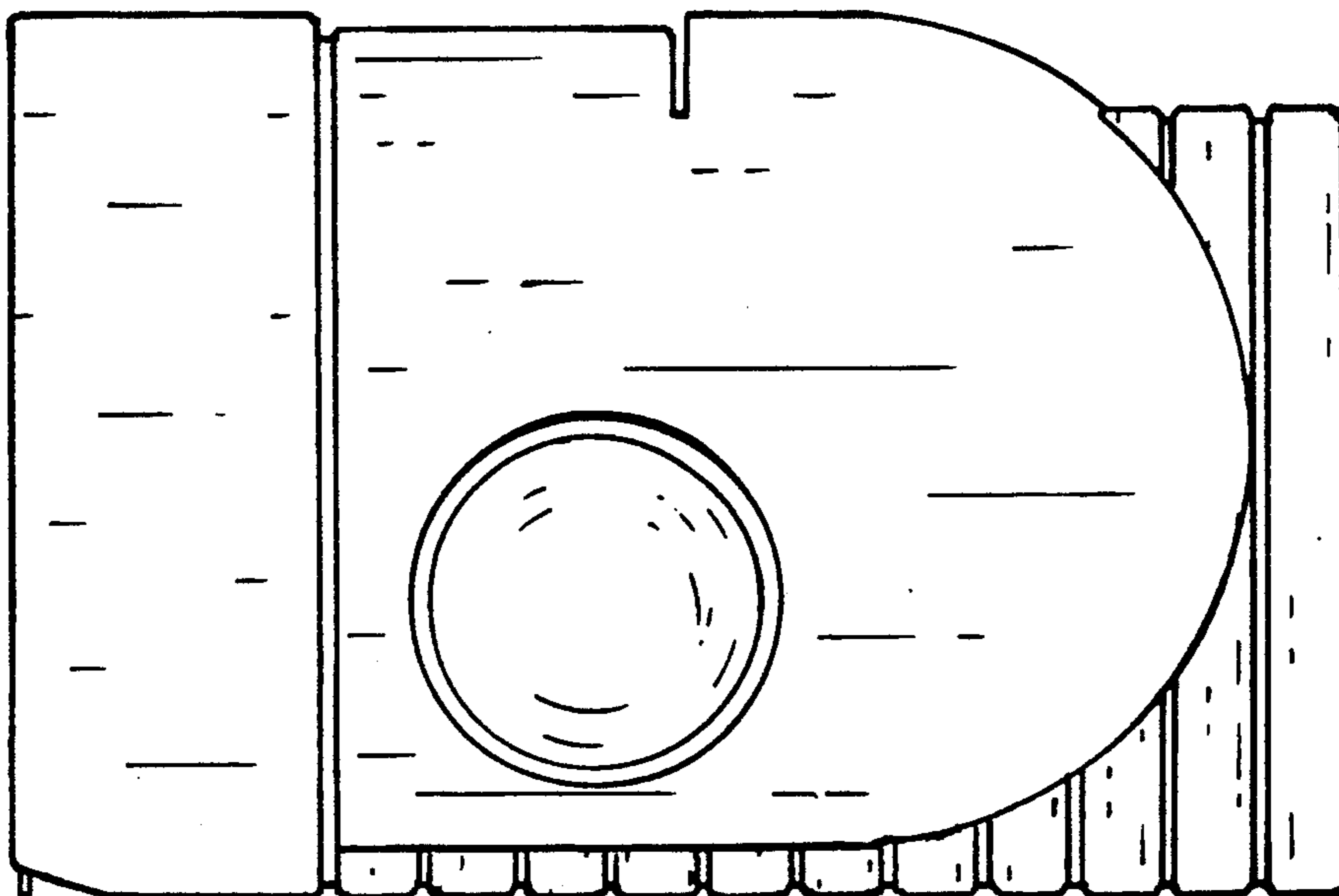


FIG. -2

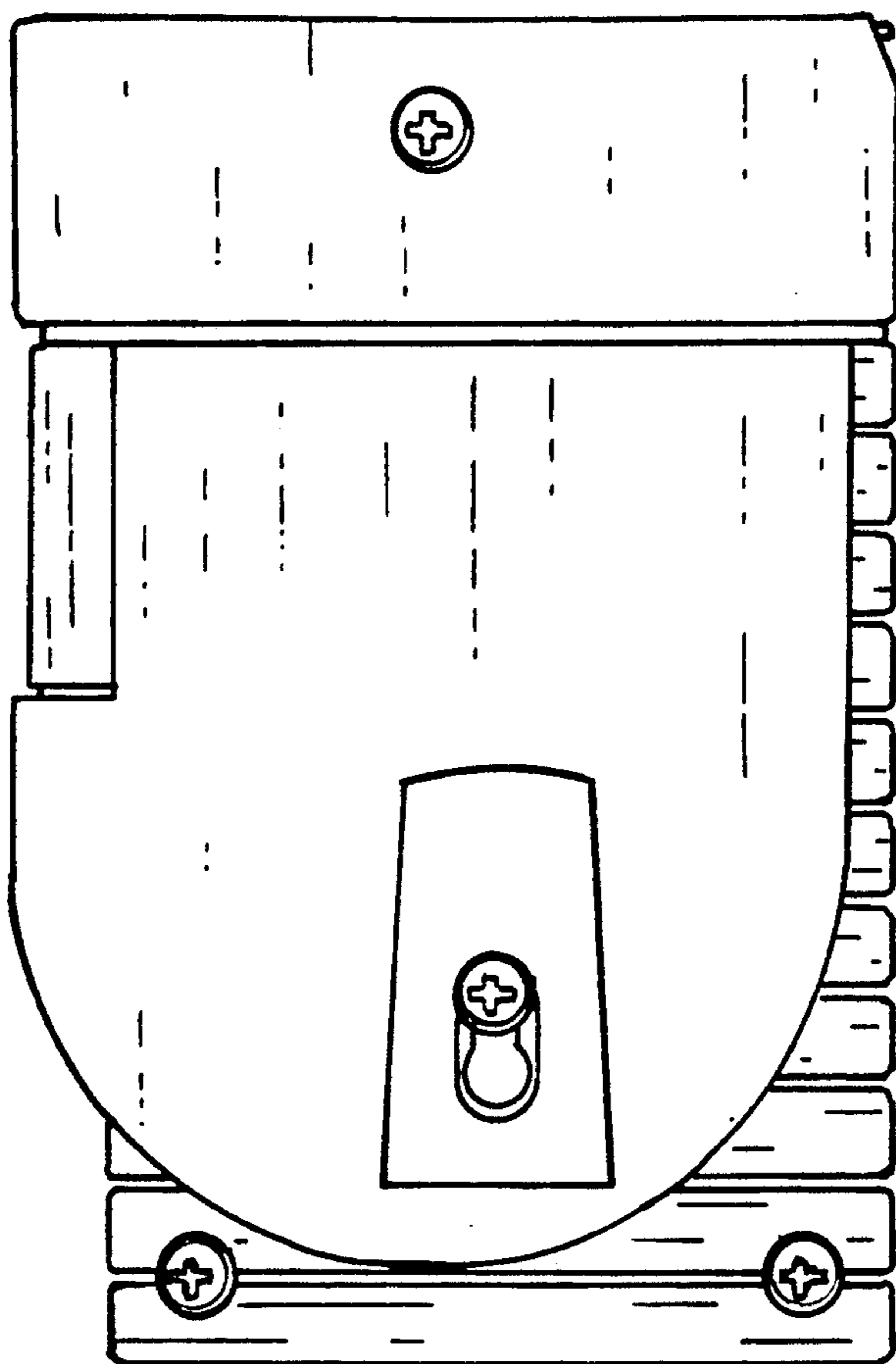


FIG. - 5

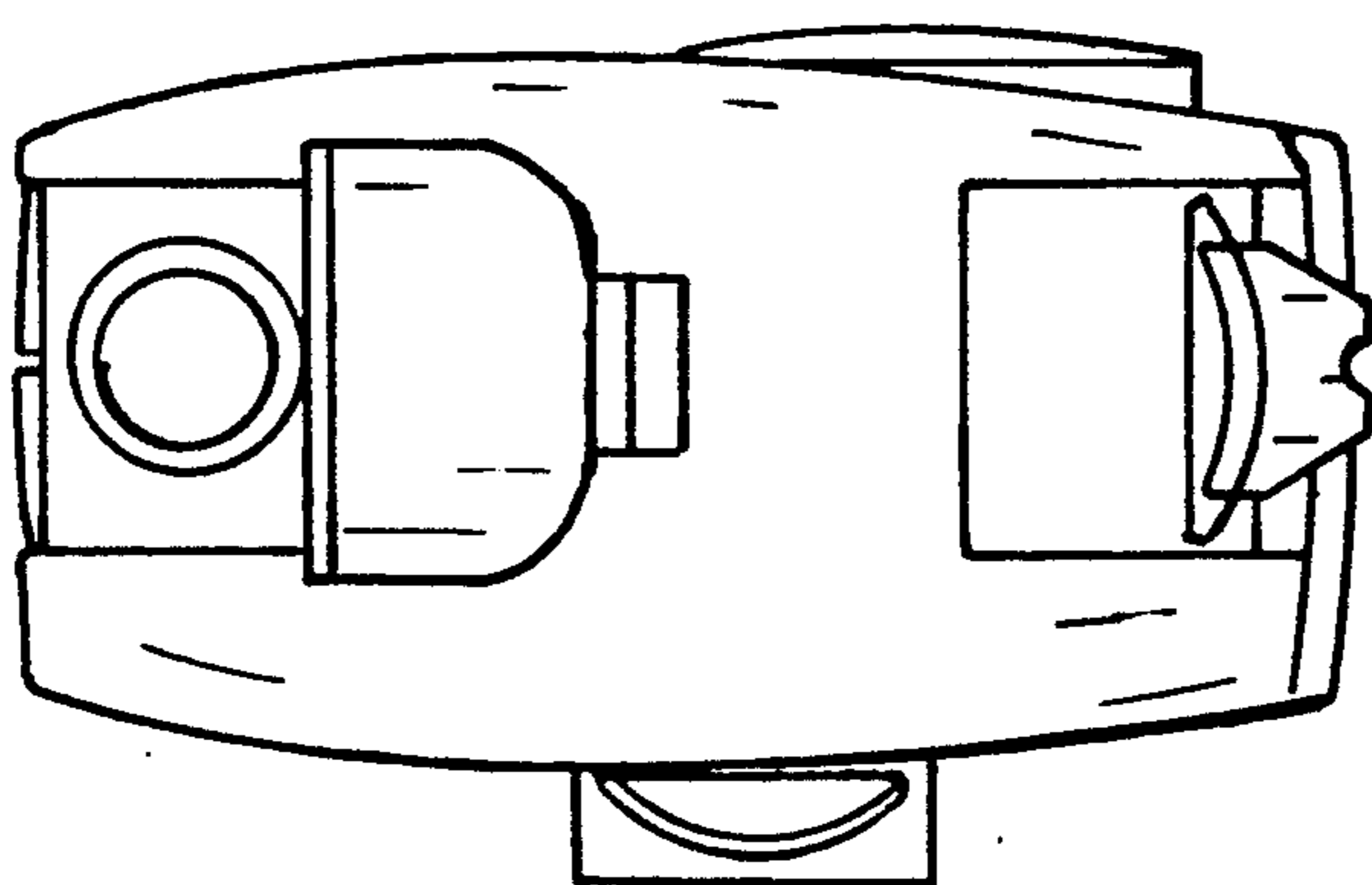


FIG. - 4

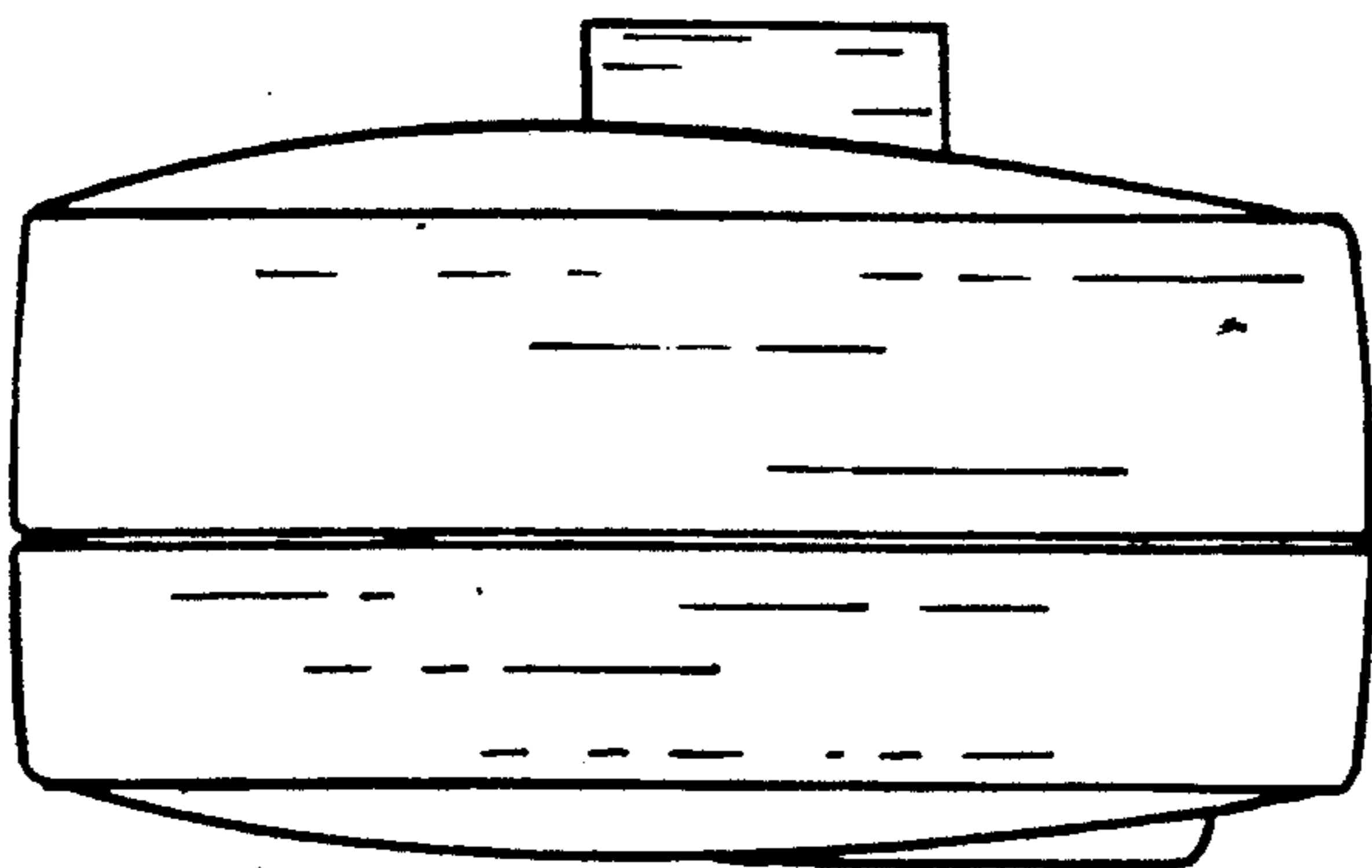


FIG. - 3

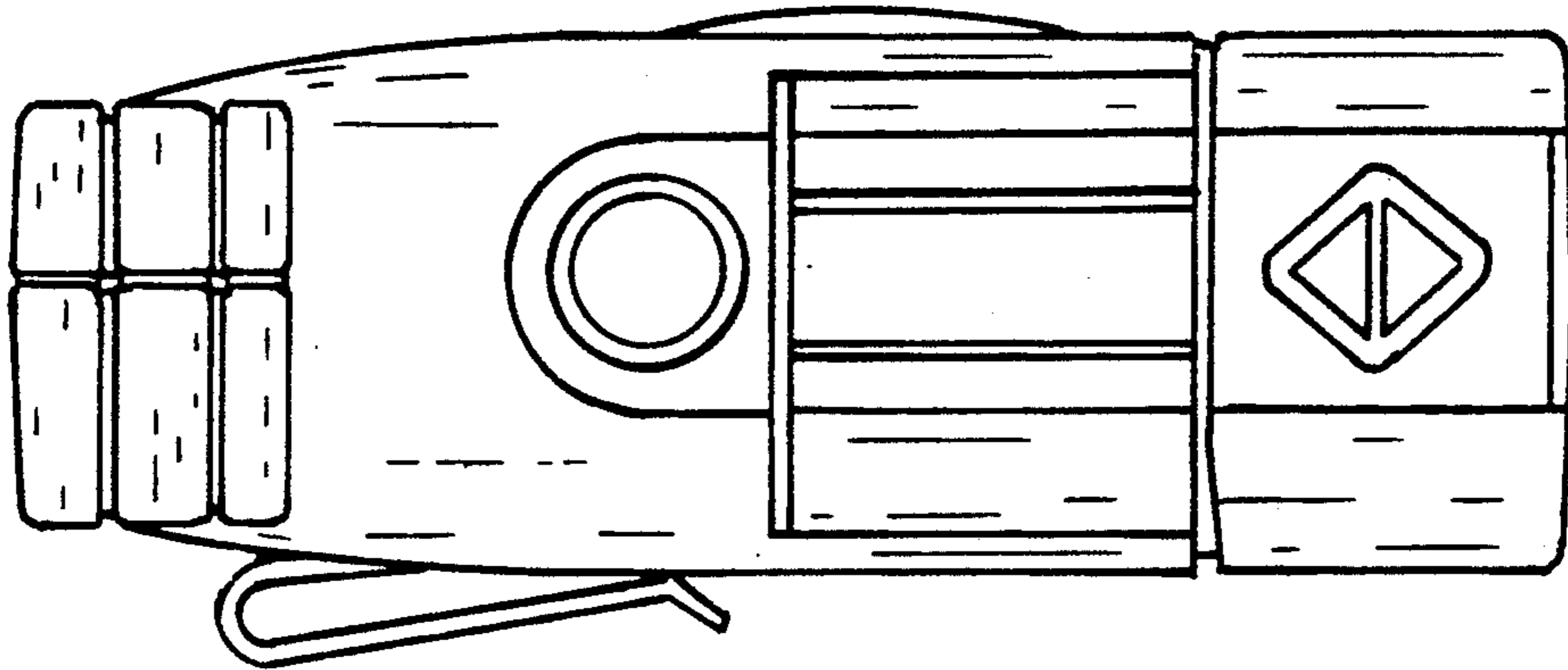


FIG. - 6

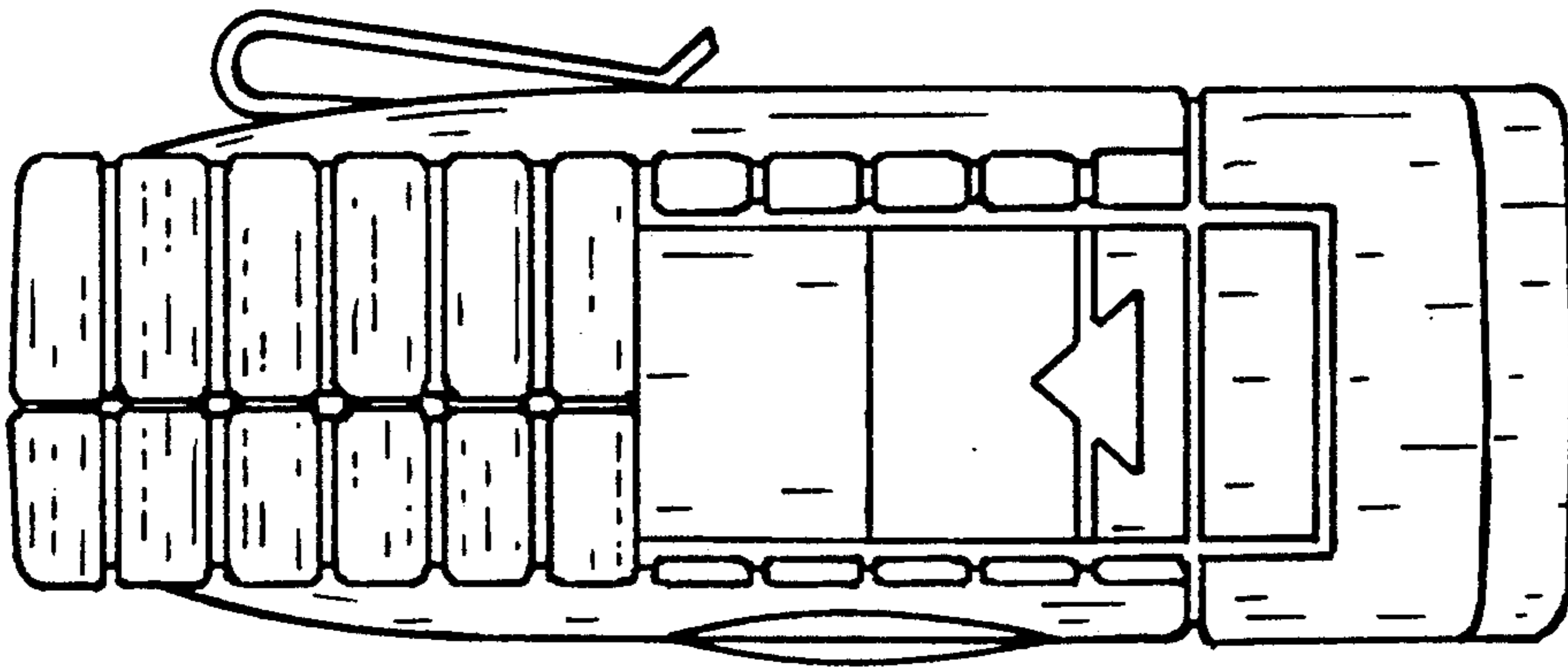


FIG. - 7