

[54] MANTEL CLOCK

[76] Inventor: Douglas Ritchie, 142 N. Shore Dr., Stow, Mass. 01775

[**] Term: 14 Years

[21] Appl. No.: 305,493

[22] Filed: Feb. 2, 1989

[52] U.S. Cl. D10/28

[58] Field of Search D10/1-40, D10/122-132; 368/276-277, 280-282, 285

[56] References Cited

U.S. PATENT DOCUMENTS

- D. 85,916 1/1932 Dreyfuss D10/23
- D. 88,873 1/1933 Grayson D10/28 X
- D. 95,992 6/1935 Shaffer D10/23 X
- D. 250,252 11/1978 Booty D10/15

OTHER PUBLICATIONS

Schoner Wohnen—11/85, p. 44, Clock at lower left.

Primary Examiner—Nelson C. Holtje

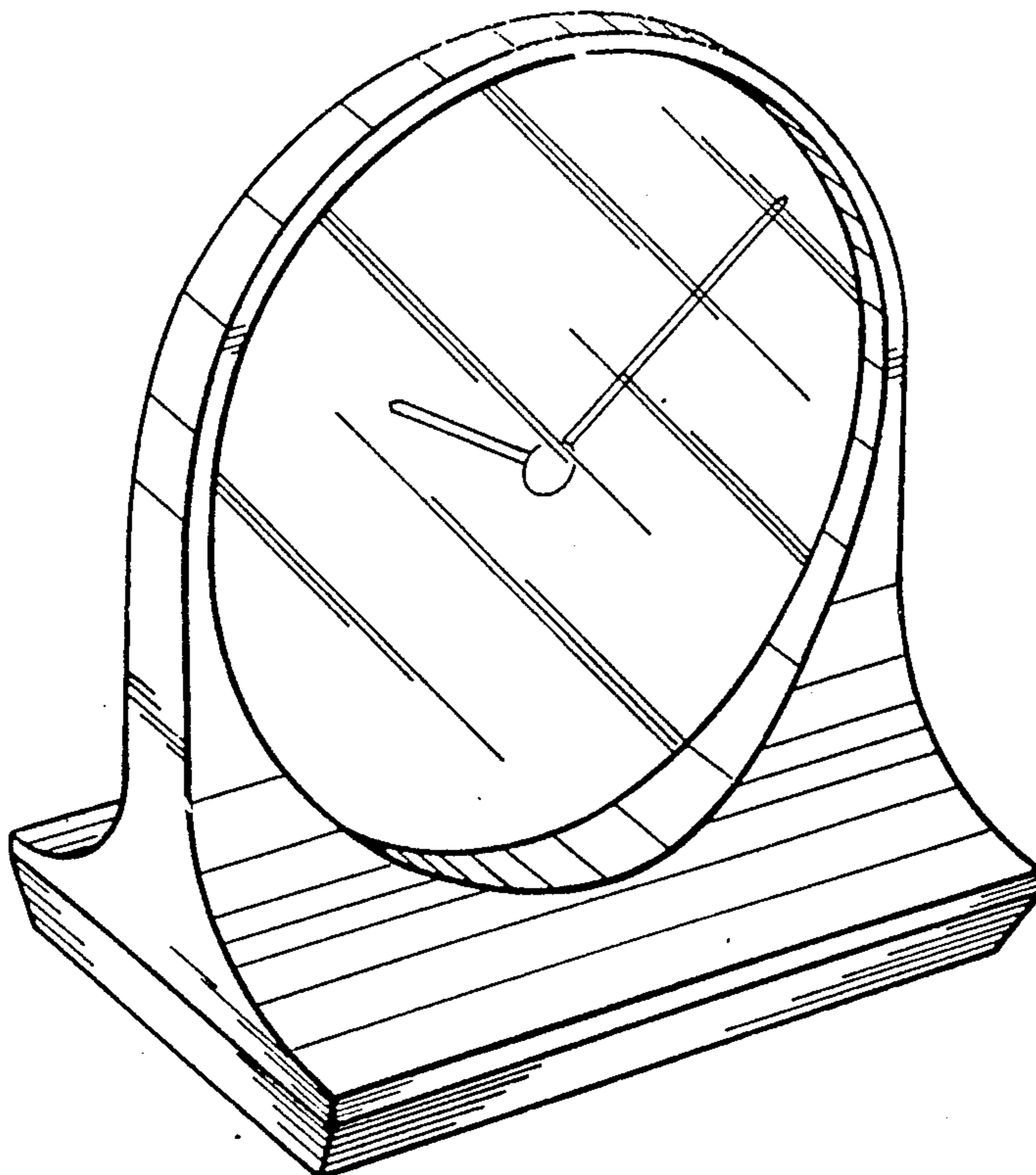
Attorney, Agent, or Firm—Wolf, Greenfield & Sacks

[57] CLAIM

The ornamental design for a mantel clock, as shown and described.

DESCRIPTION

FIG. 1 is a front and top left perspective view of a mantel clock showing my new design;
 FIG. 2 is a front elevational view thereof;
 FIG. 3 is a typical side elevational view thereof;
 FIG. 4 is a rear elevational view thereof;
 FIG. 5 is a top plan view thereof;
 FIG. 6 is a bottom plan view thereof; and
 FIG. 7 is a front elevational view of another embodiment of my new design of FIGS. 1-6, all other views but FIG. 1 being identical.



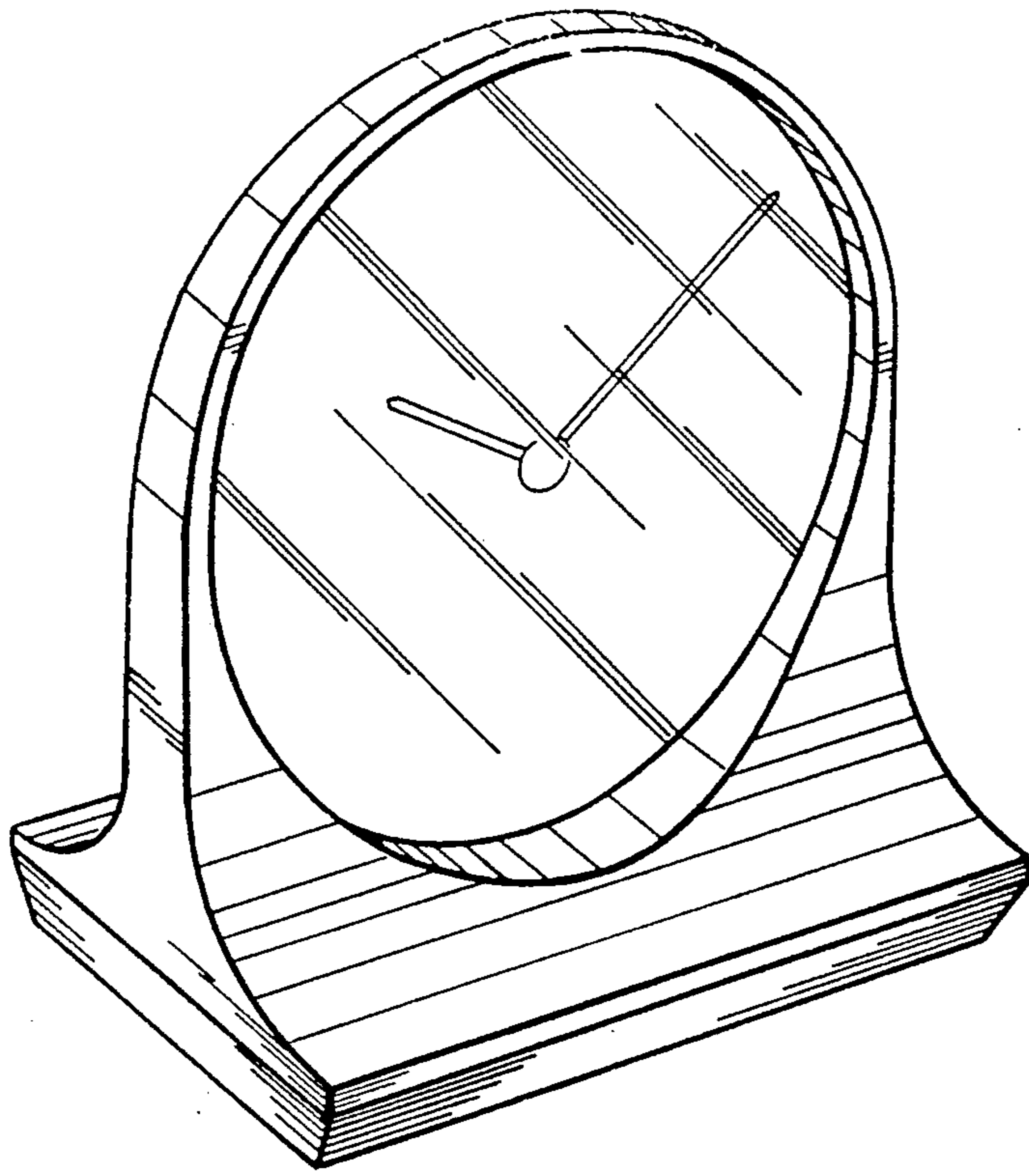


Fig. 1

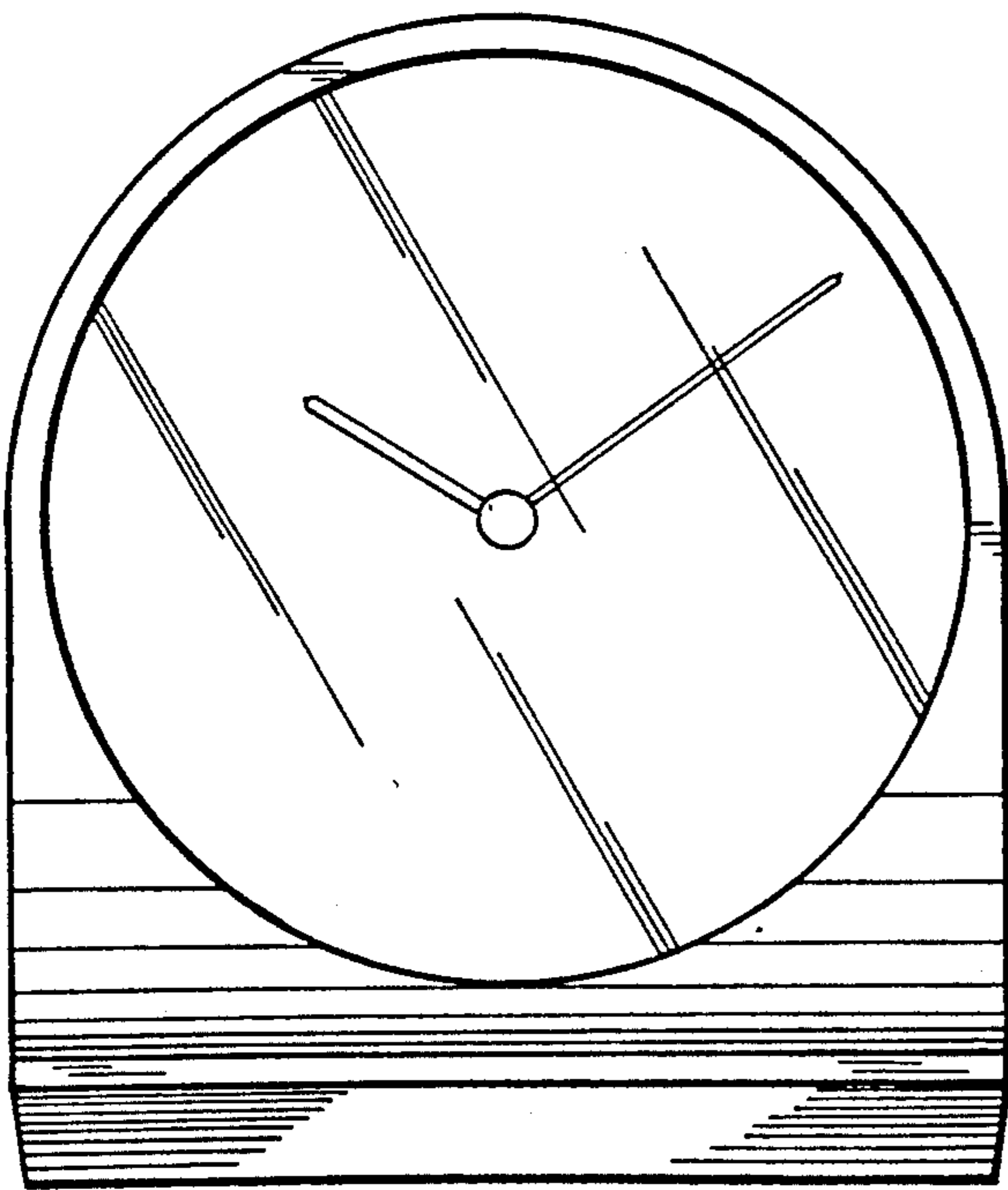


Fig. 2

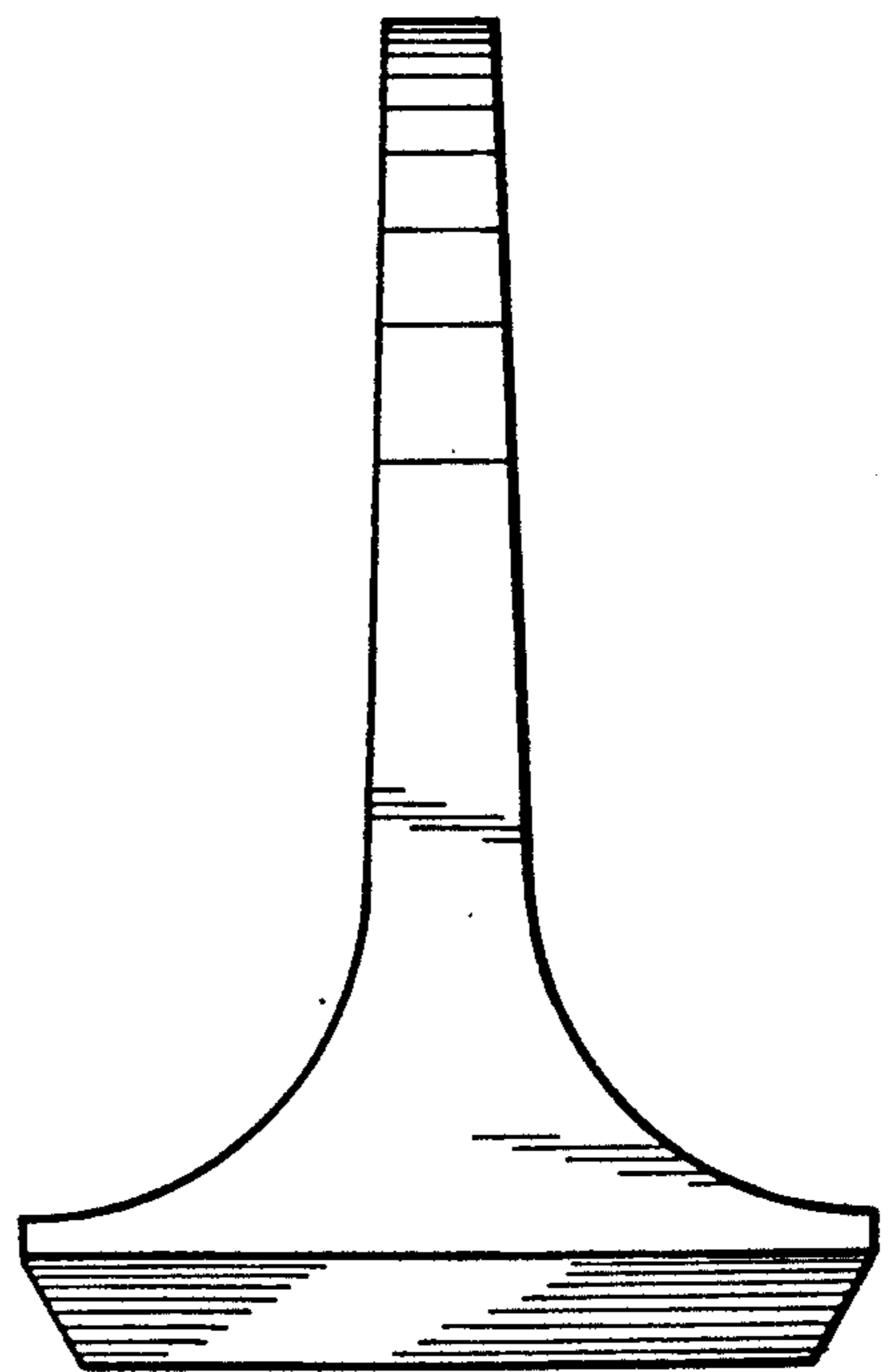


Fig. 3

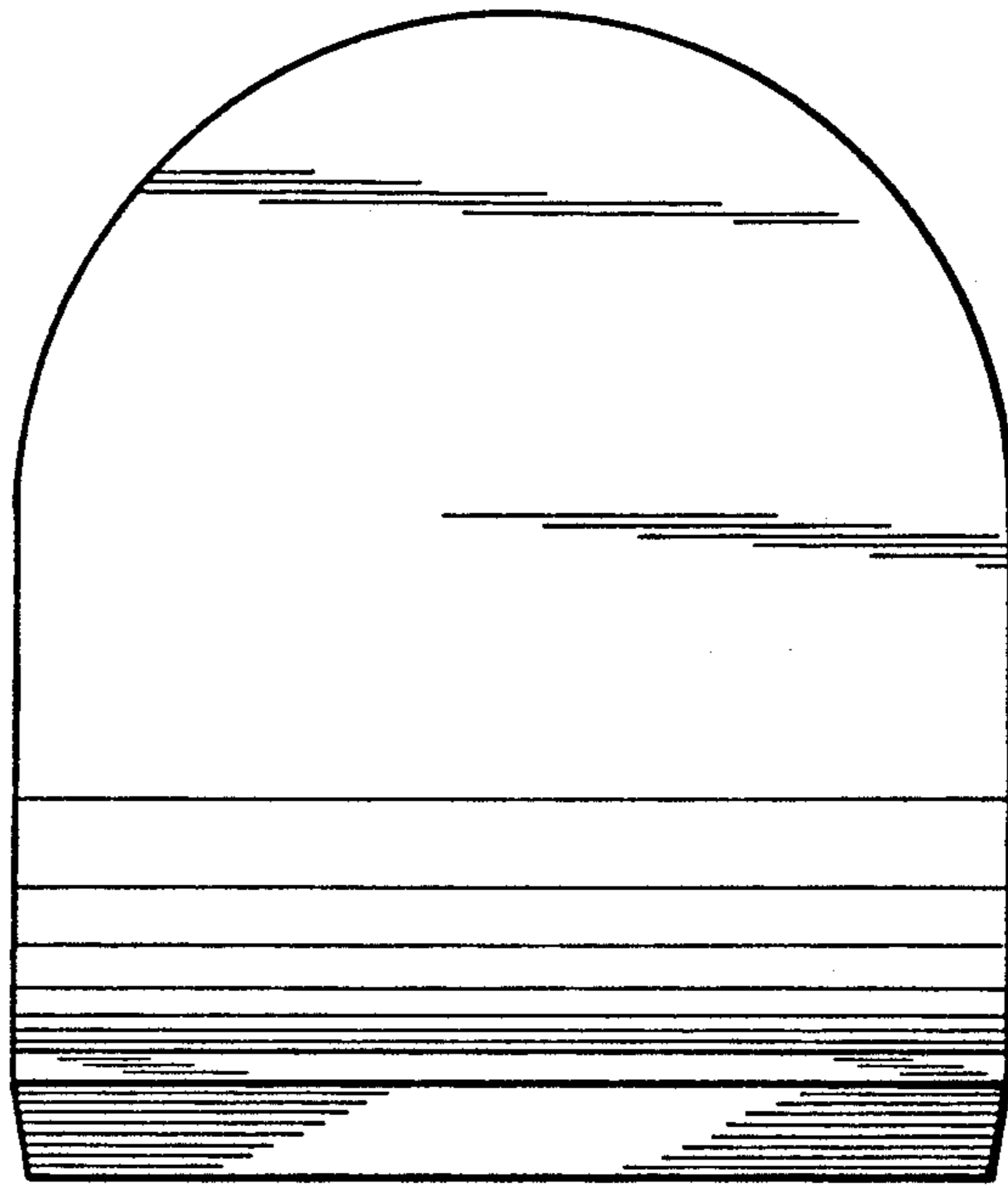


Fig. 4

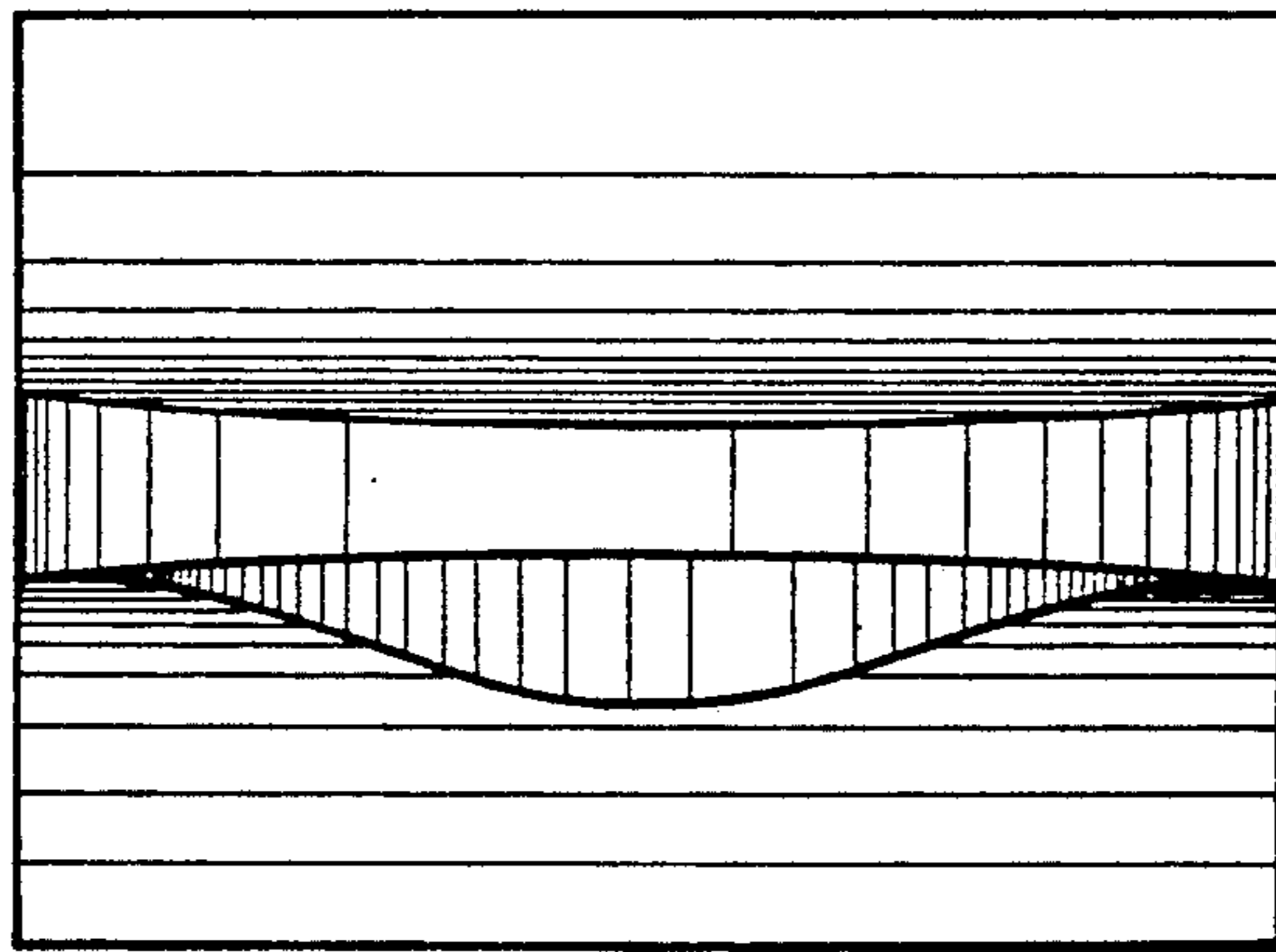


Fig. 5

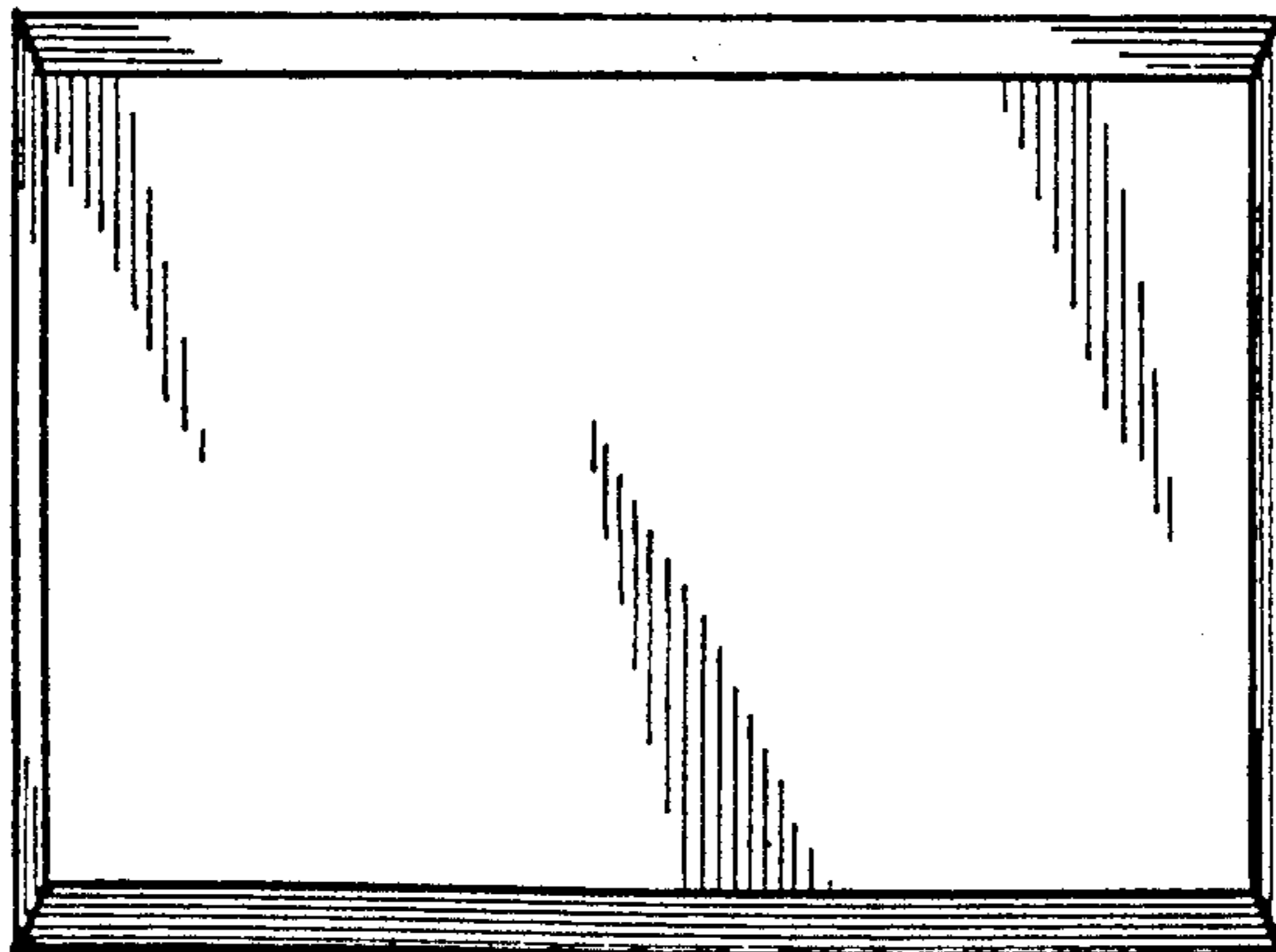


Fig. 6

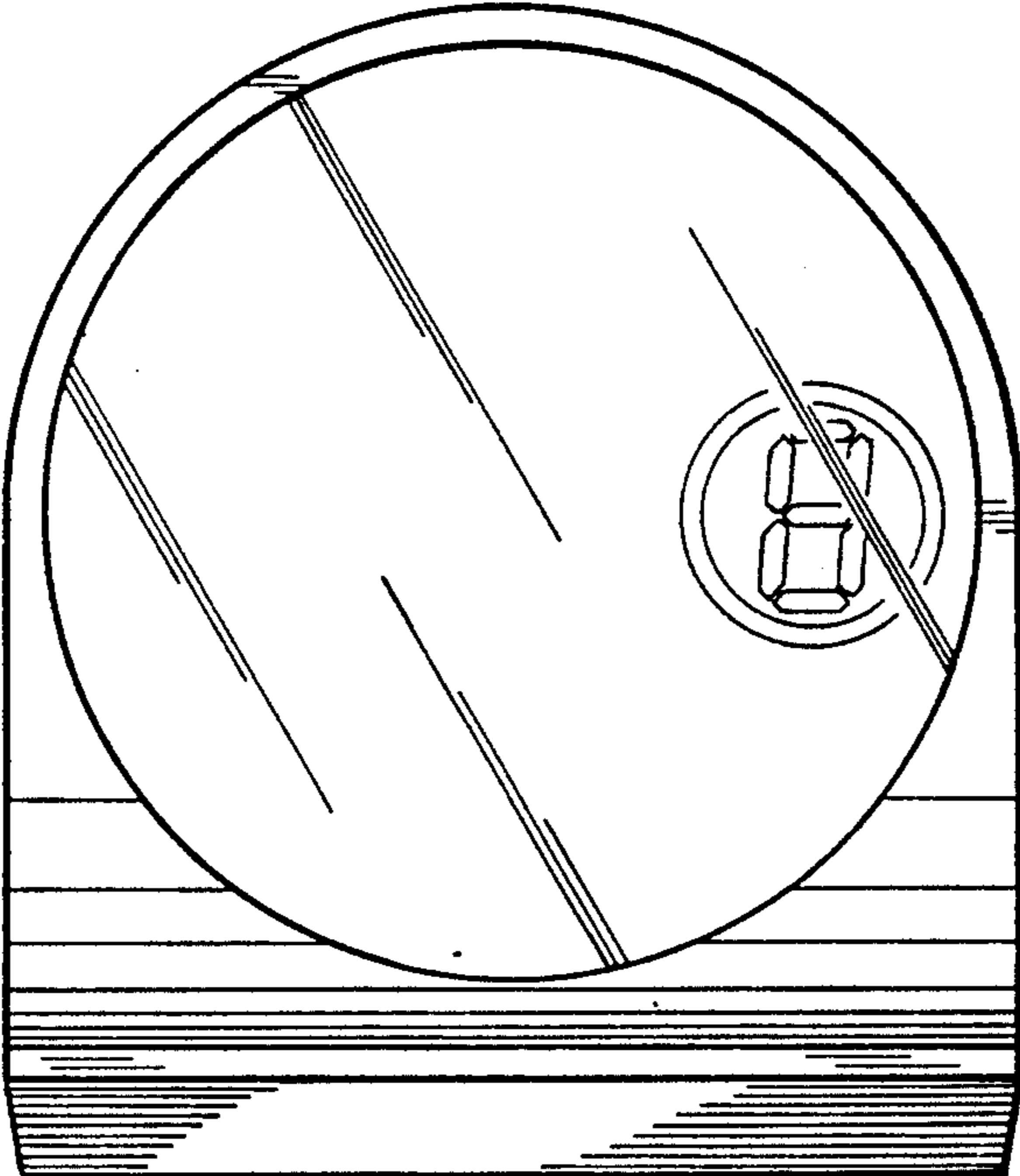


Fig. 7