

[54] PORTATIVE HOLDER FOR SEPARATE EXTENSION CORDS

[76] Inventor: Scott R. Hunter, 38 Carol Dr., Succasunna, N.J. 07876

[\*\*] Term: 14 Years

[21] Appl. No.: 270,493

[22] Filed: Nov. 14, 1988

[52] U.S. Cl. .... D8/354; D8/356; D8/373

[58] Field of Search ..... D8/356, 373, 380, 396, D8/354; 248/309.1, 205.2, 685, 51, 205.3; 24/442, 306, 11 HC; 439/369, 368, 371; D13/154, 156; 128/DIG. 14, 15, 26

[56] References Cited

U.S. PATENT DOCUMENTS

|            |         |                 |       |               |
|------------|---------|-----------------|-------|---------------|
| D. 205,916 | 10/1966 | Palsue          | ..... | D13/156       |
| D. 296,779 | 7/1988  | Watson          | ..... | D13/156       |
| D. 304,978 | 12/1989 | Harrington      | ..... | D8/396 X      |
| D. 305,097 | 12/1989 | Converse        | ..... | D8/396 X      |
| 2,994,734  | 8/1961  | Scofield et al. | ..... | D13/156 X     |
| 3,030,601  | 4/1962  | Krebs           | ..... | 439/369       |
| 3,128,514  | 4/1964  | Parker et al.   | ..... | 24/11.11 C    |
| 3,147,338  | 9/1964  | Ekvall et al.   | ..... | D13/156 X     |
| 3,325,591  | 6/1967  | Wahl            | ..... | D13/156 X     |
| 3,387,341  | 6/1968  | Mates et al.    | ..... | 248/685 X     |
| 4,220,302  | 9/1980  | Hampton et al.  | ..... | 24/306 X      |
| 4,417,710  | 11/1983 | Adair           | ..... | 248/51        |
| 4,569,348  | 2/1986  | Hasslinger      | ..... | 128/DIG. 26 X |
| 4,617,017  | 10/1986 | Hubbard et al.  | ..... | 128/DIG. 26 X |
| 4,639,980  | 2/1987  | Peterson        | ..... | 24/306        |
| 4,671,787  | 6/1987  | Widman          | ..... | 128/DIG. 26 X |
| 4,702,540  | 10/1987 | Sieman          | ..... | 439/369 X     |
| 4,702,736  | 10/1987 | Kalf et al.     | ..... | 128/DIG. 26   |
| 4,706,914  | 11/1987 | Ground          | ..... | 248/205.3 X   |
| 4,759,963  | 7/1988  | Uso, Jr. et al. | ..... | 248/205.2     |
| 4,824,049  | 4/1989  | Kelly, Sr.      | ..... | 410/101       |

|           |         |             |       |               |
|-----------|---------|-------------|-------|---------------|
| 4,838,878 | 6/1989  | Kolf et al. | ..... | 128/DIG. 26 X |
| 4,862,563 | 9/1989  | Flynn       | ..... | 24/442 X      |
| 4,869,683 | 9/1989  | Nelson      | ..... | 439/369       |
| 4,878,585 | 11/1989 | Orestano    | ..... | 248/205.2     |
| 4,907,984 | 3/1990  | Keller      | ..... | 439/369       |
| 4,920,735 | 4/1990  | Yamaguchi   | ..... | 24/442 X      |
| 4,934,646 | 6/1990  | Doyle       | ..... | 248/309.1     |
| 4,939,818 | 7/1990  | Hahn        | ..... | 24/442 X      |

Primary Examiner—Horace B. Fay, Jr.  
Attorney, Agent, or Firm—Mathews, Woodbridge & Collins

[57] CLAIM

The ornamental design for a portative holder for separate extension cords, as shown and described.

DESCRIPTION

FIG. 1 is a left side, top and front perspective view of a portative holder for separate extension cords showing my design in open, relaxed posture with VELCRO attachment members in flat array;

FIG. 2 is a left side, top and front perspective view thereof in wrapped around posture, the side opposite being substantially a mirror image;

FIGS. 3A, 3B and 3C are left side, top, and front perspective views of the portative holder in respective sundry, wrapped postures;

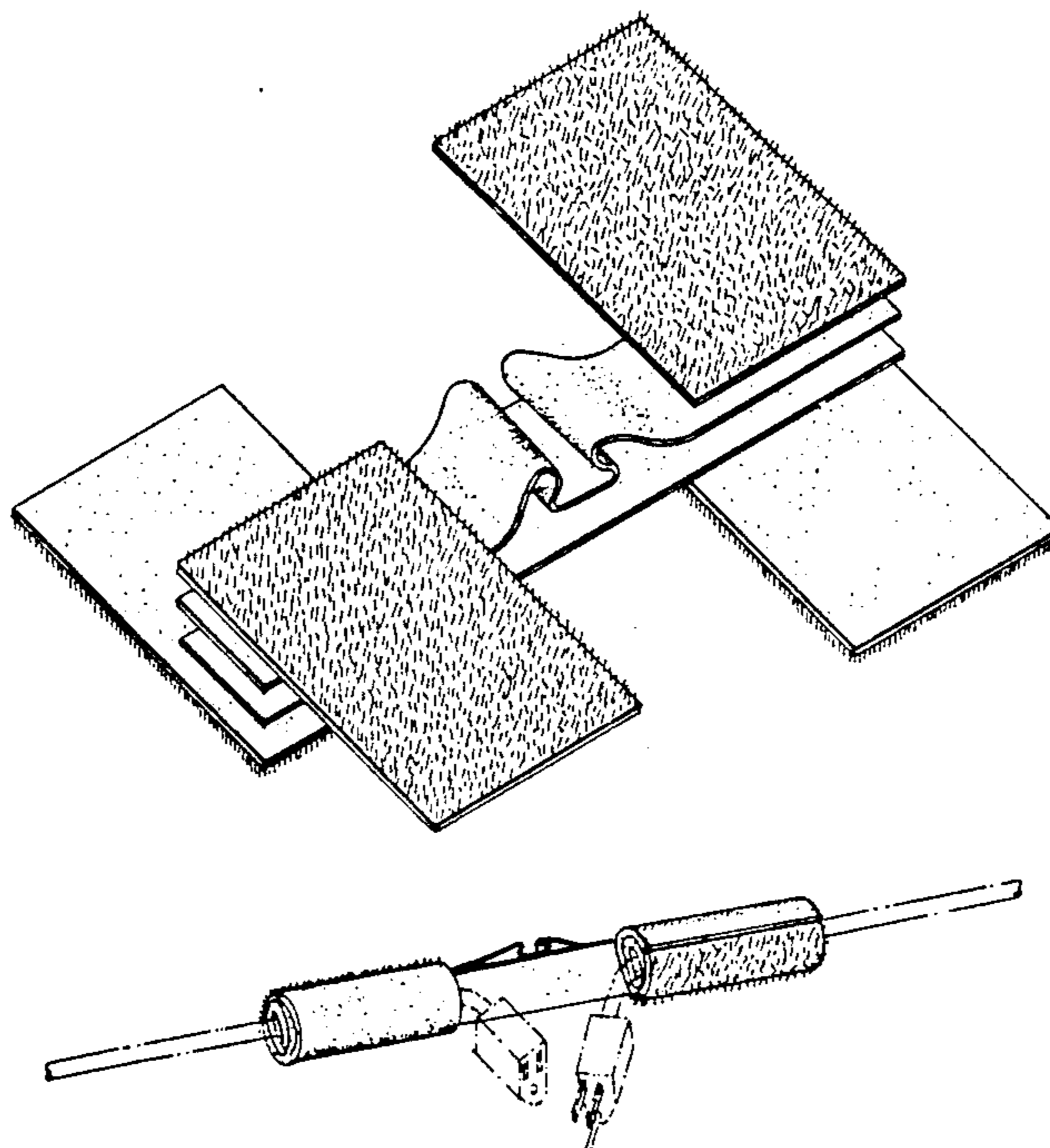
FIGS. 4 and 5 are respective, flattened out top and bottom plan views thereof;

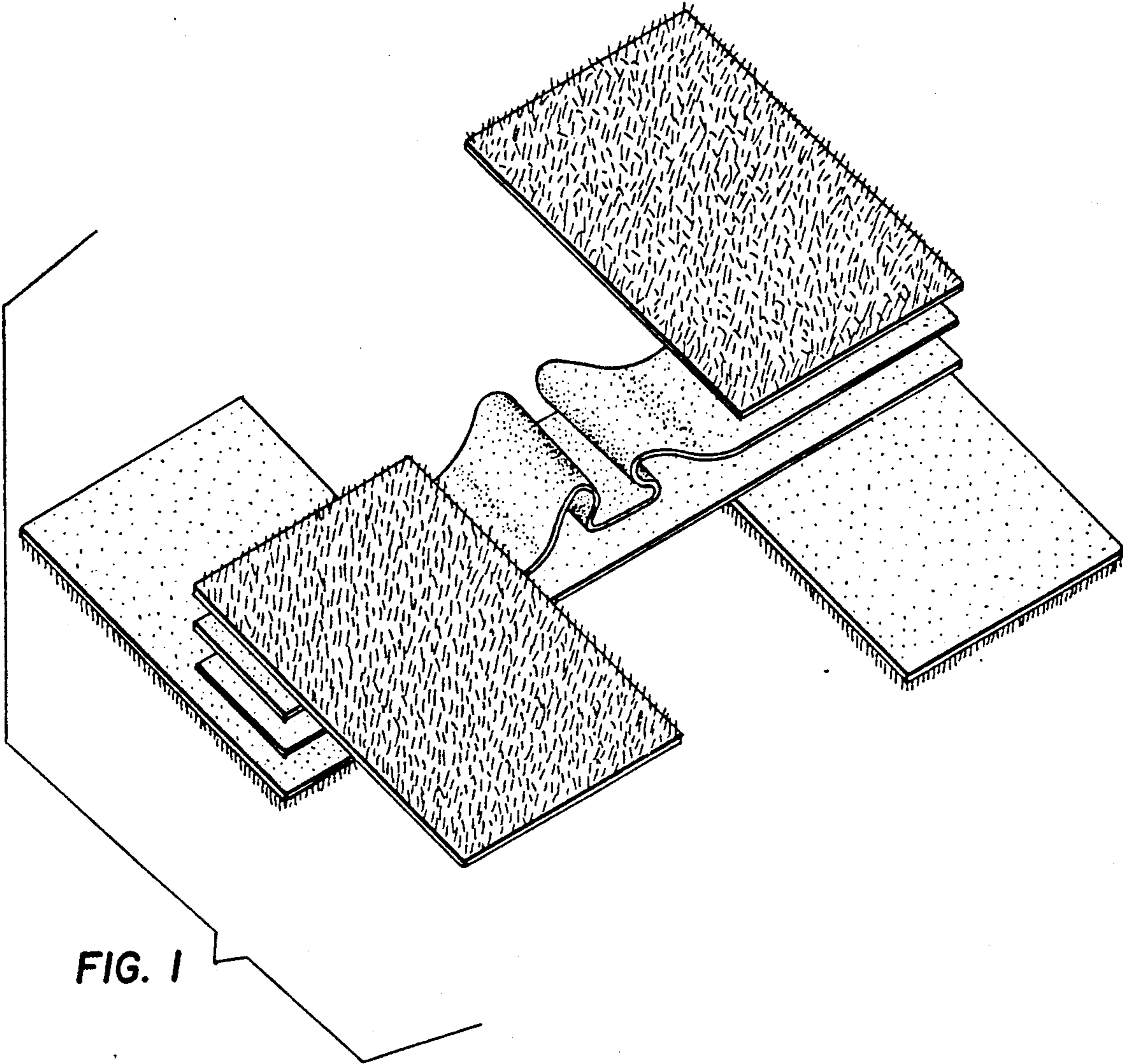
FIG. 6 is a front elevational view thereof, when not in use, the rear elevational view being a mirror image;

FIG. 7 is an end elevational view thereof, the opposite end being a mirror image; and

FIG. 8 is an enlarged side elevational view of FIG. 6, the rubber member being in non-stretched posture.

The broken line showing of separate, individual extension cords in FIGS. 2, 3A, 3B, 3C, 4 and 5 is for illustrative purposes only and forms no part of the claimed design.





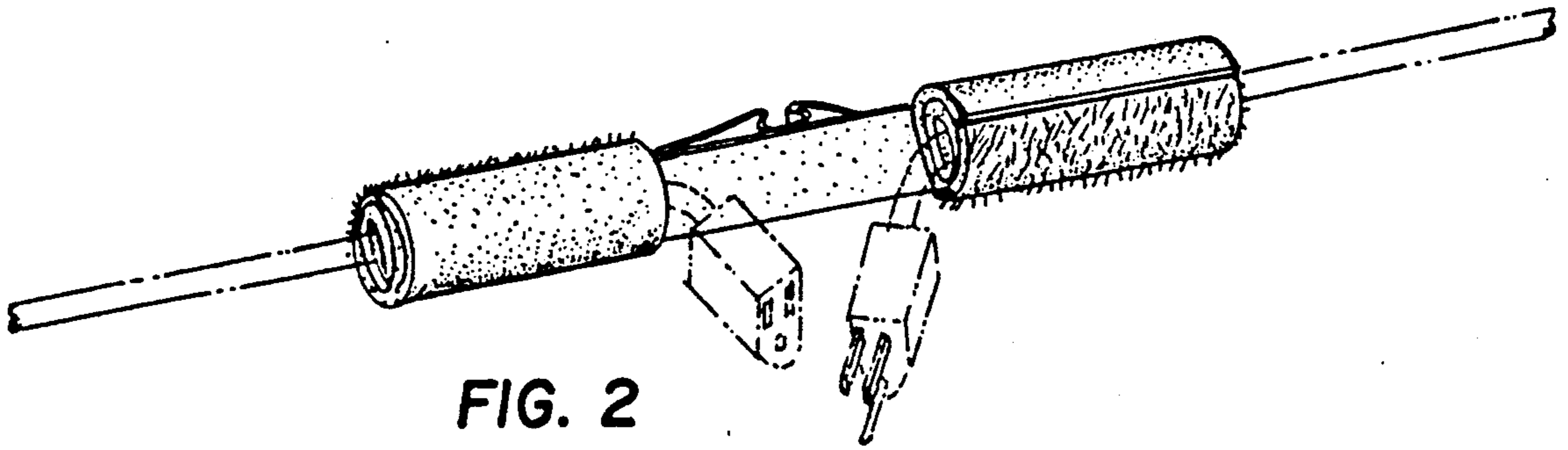


FIG. 2

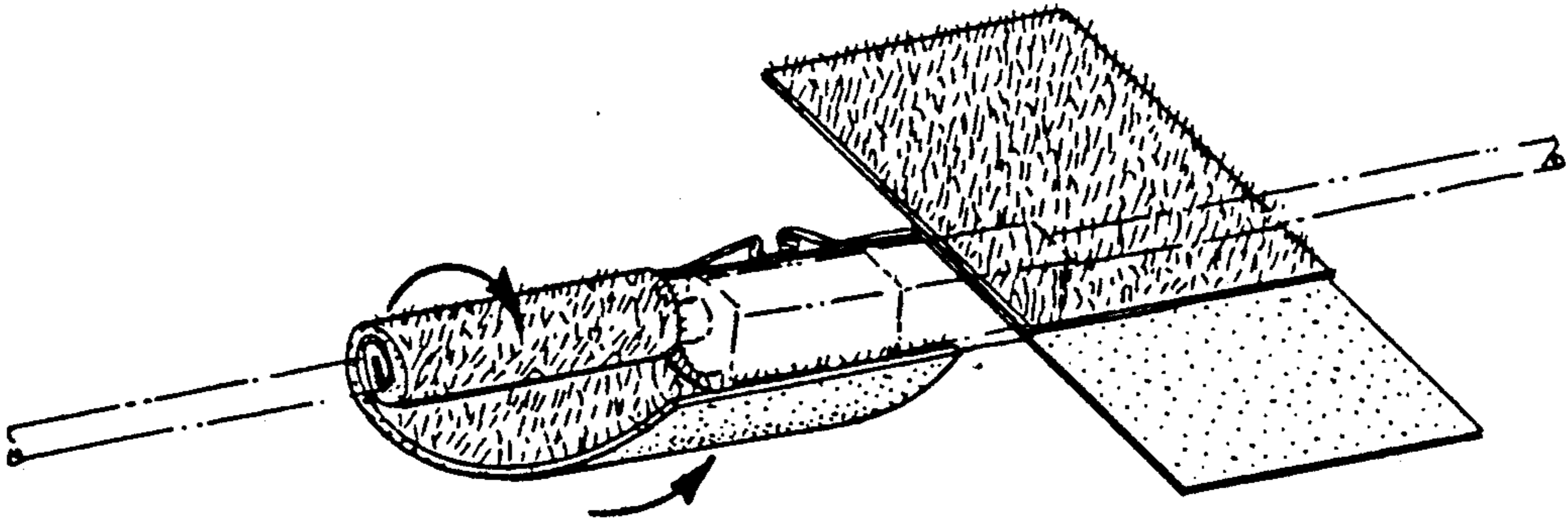


FIG. 3A

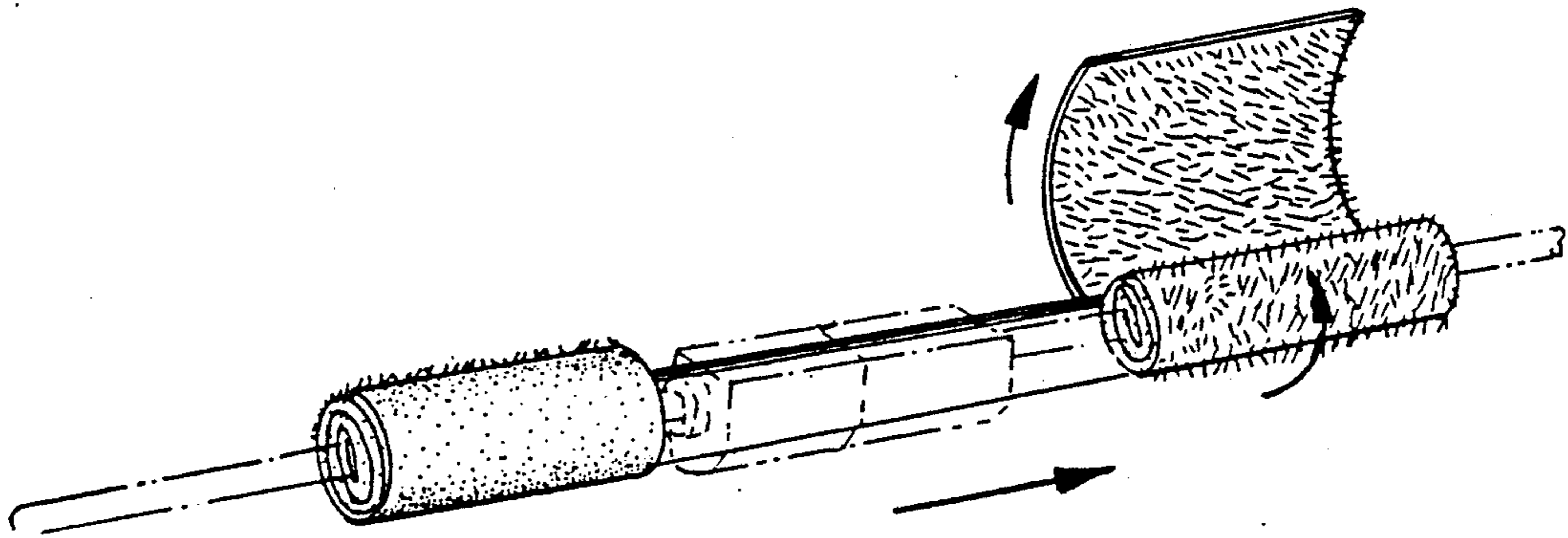


FIG. 3B

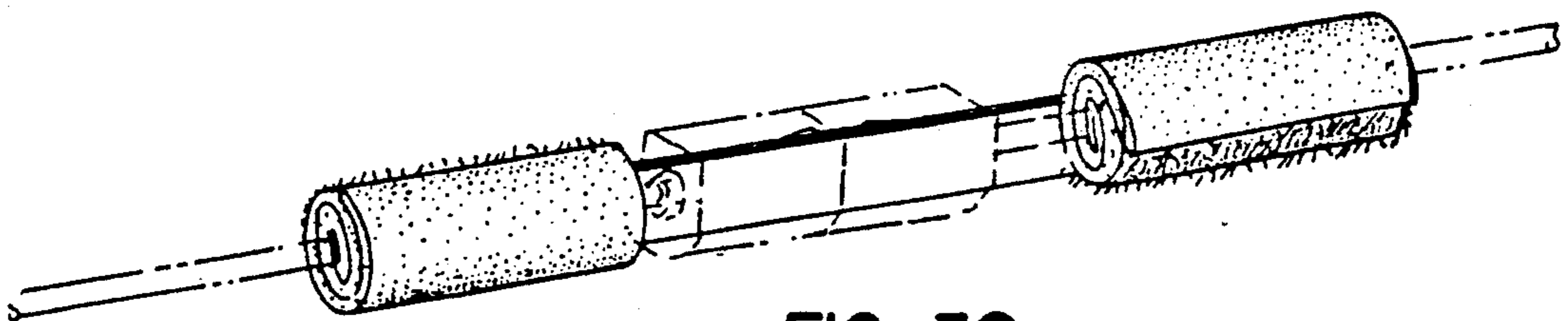


FIG. 3C

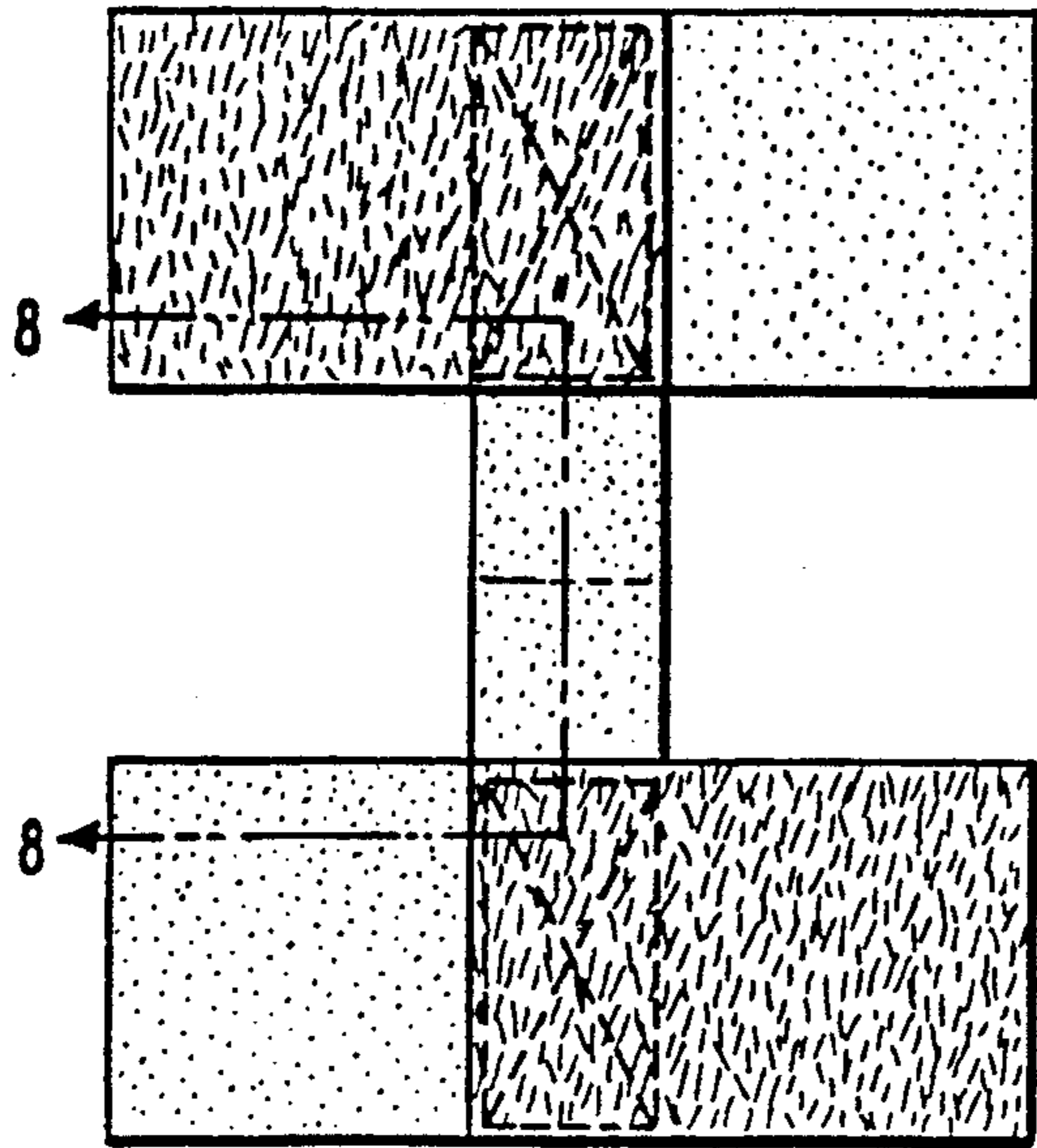


FIG. 4

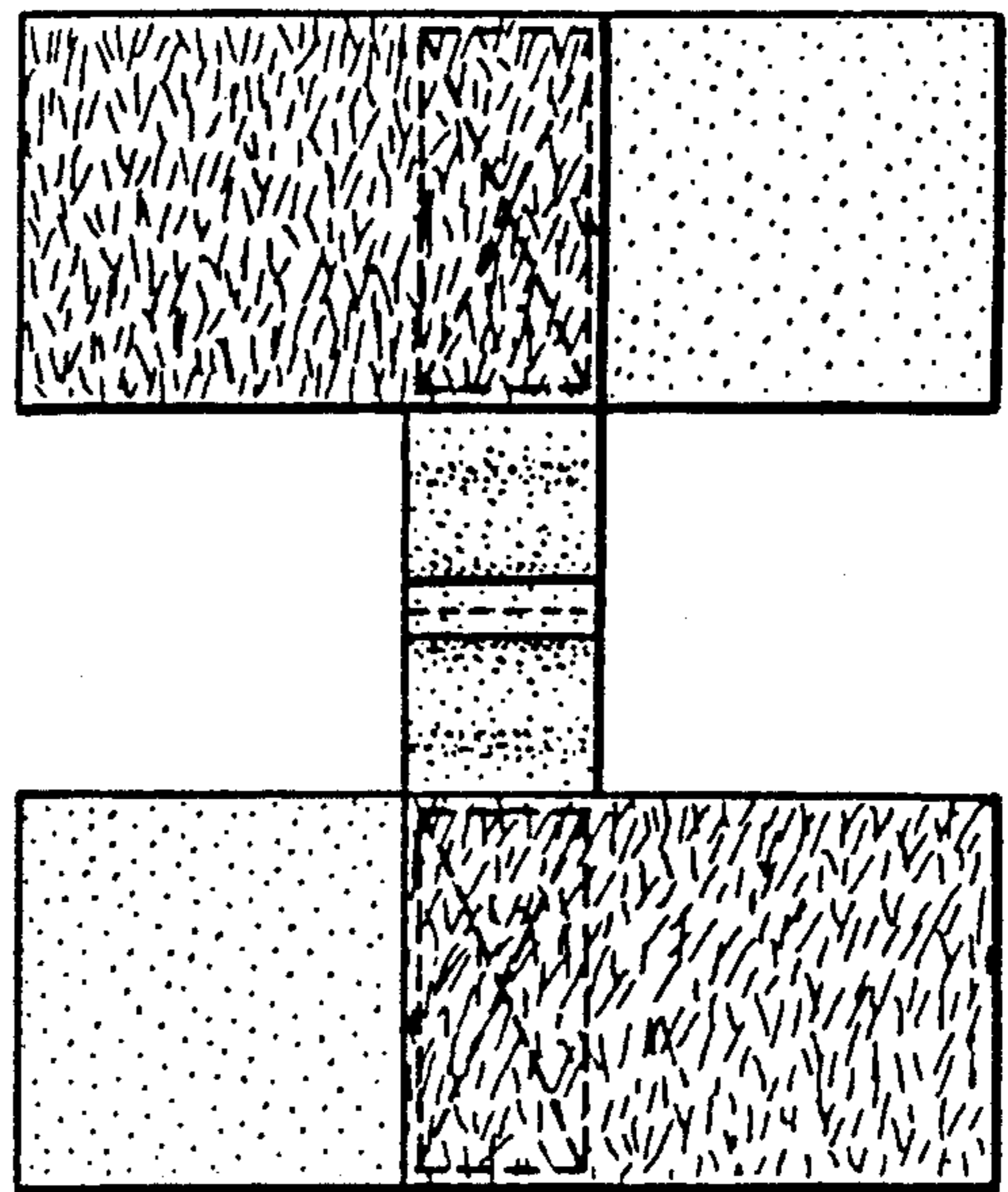


FIG. 5



FIG. 6

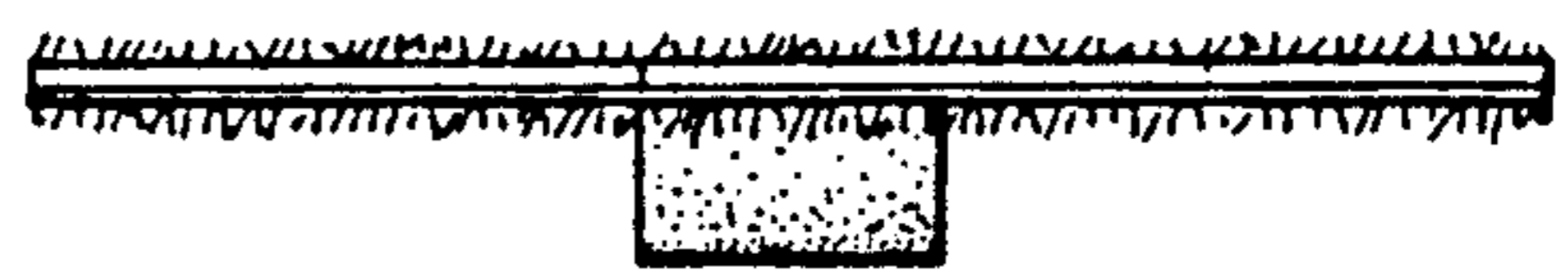


FIG. 7

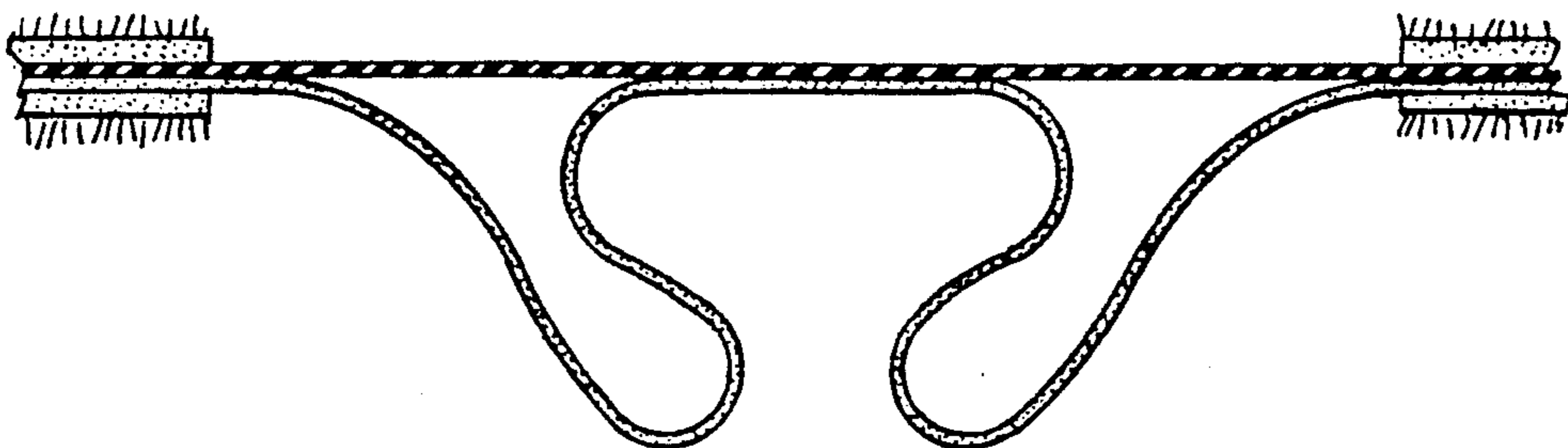


FIG. 8