

[54] STAPLER

[75] Inventors: Tsuguyoshi Sadashima; Hiroharu Inukai, both of Osaka, Japan

[73] Assignee: Matsushita Electric Industrial Co., Ltd., Osaka, Japan

[**] Term: 14 Years

[21] Appl. No.: 378,512

[22] Filed: Jul. 11, 1989

[30] Foreign Application Priority Data

Jan. 11, 1989 [JP] Japan 1-570

[52] U.S. Cl. D8/49

[58] Field of Search D8/49, 50; 227/107, 227/110, 120, 126-128, 132

[56] References Cited

U.S. PATENT DOCUMENTS

D. 277,161 1/1985 Miller et al. D8/49

OTHER PUBLICATIONS

Office Products Dealer, 6/87, p. 40, Stapler.

Japanese Design Journal, Reg. No. 620053, Issued 3/9/84, Stapler.

Japanese Design Journal, Reg. No. 726639, Issued 3/9/88, Stapler.

Japanese Design Journal, Reg. No. 737879 Issued 7/11/88.

Primary Examiner—Terry A. Pfeffer
Attorney, Agent, or Firm—Sughrue, Mion, Zinn
Macpeak & Seas

[57] CLAIM

The ornamental design of a stapler, as shown.

DESCRIPTION

FIG. 1 is a perspective view of the top, front and one side of a stapler showing our new design;
FIG. 2 is a perspective view showing the bottom, rear, and opposite sides thereof;
FIG. 3 is a left side elevational view thereof;
FIG. 4 is a right side elevational view thereof.
FIG. 5 is a rear elevational view thereof;
FIG. 6 is a front elevational view thereof;
FIG. 7 is a top plan view thereof; and
FIG. 8 is a bottom plan view thereof.

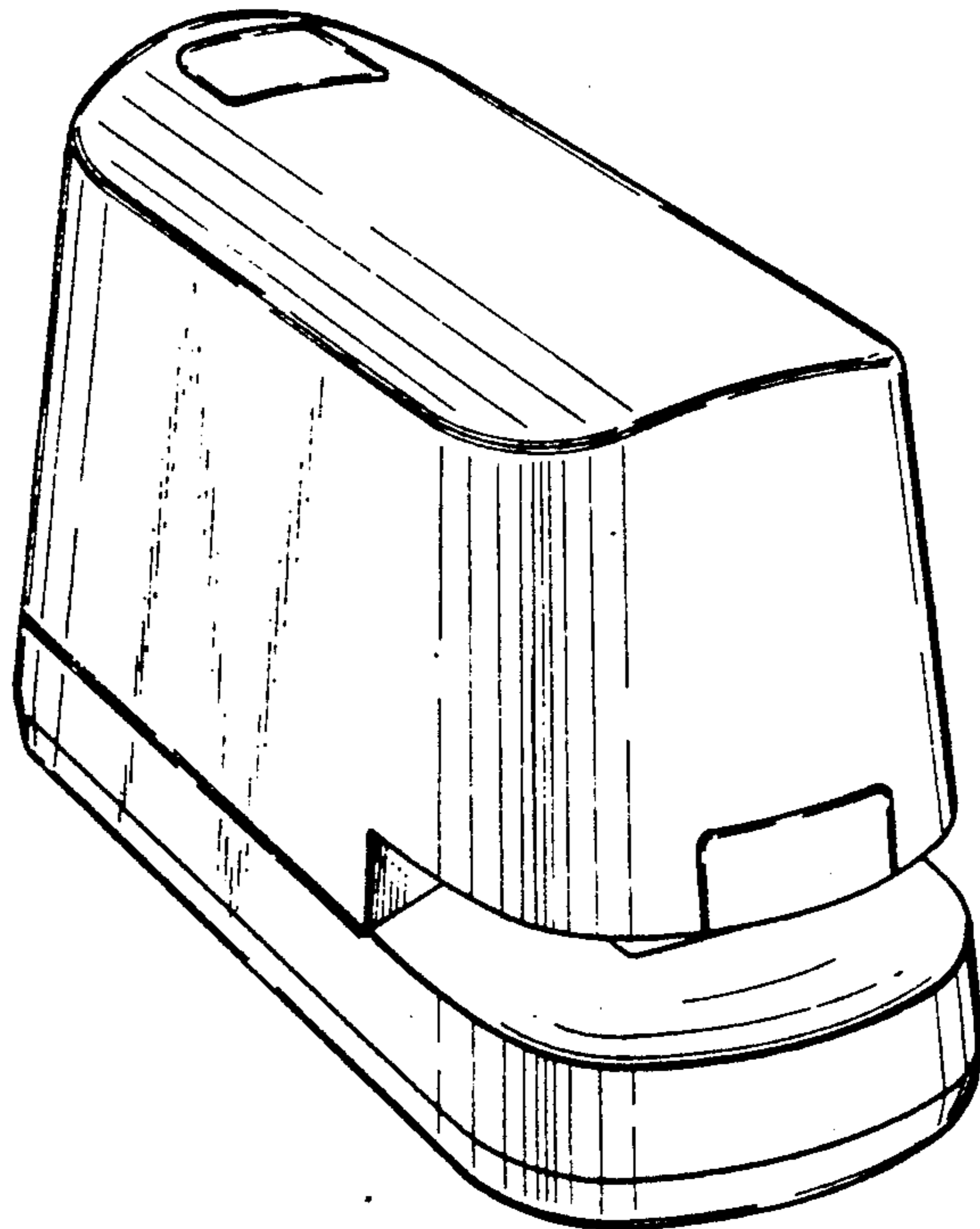


Fig. 1

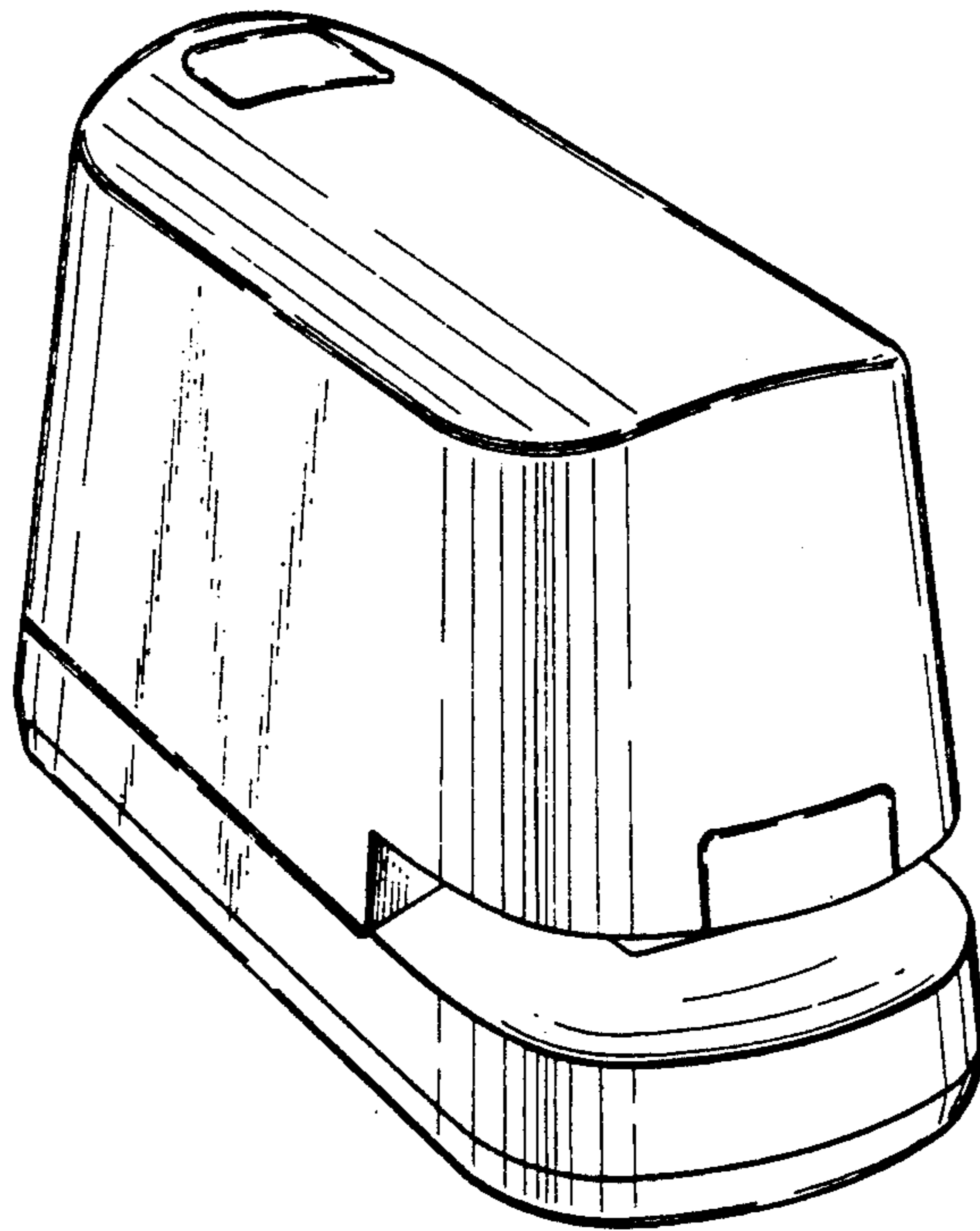


Fig. 2

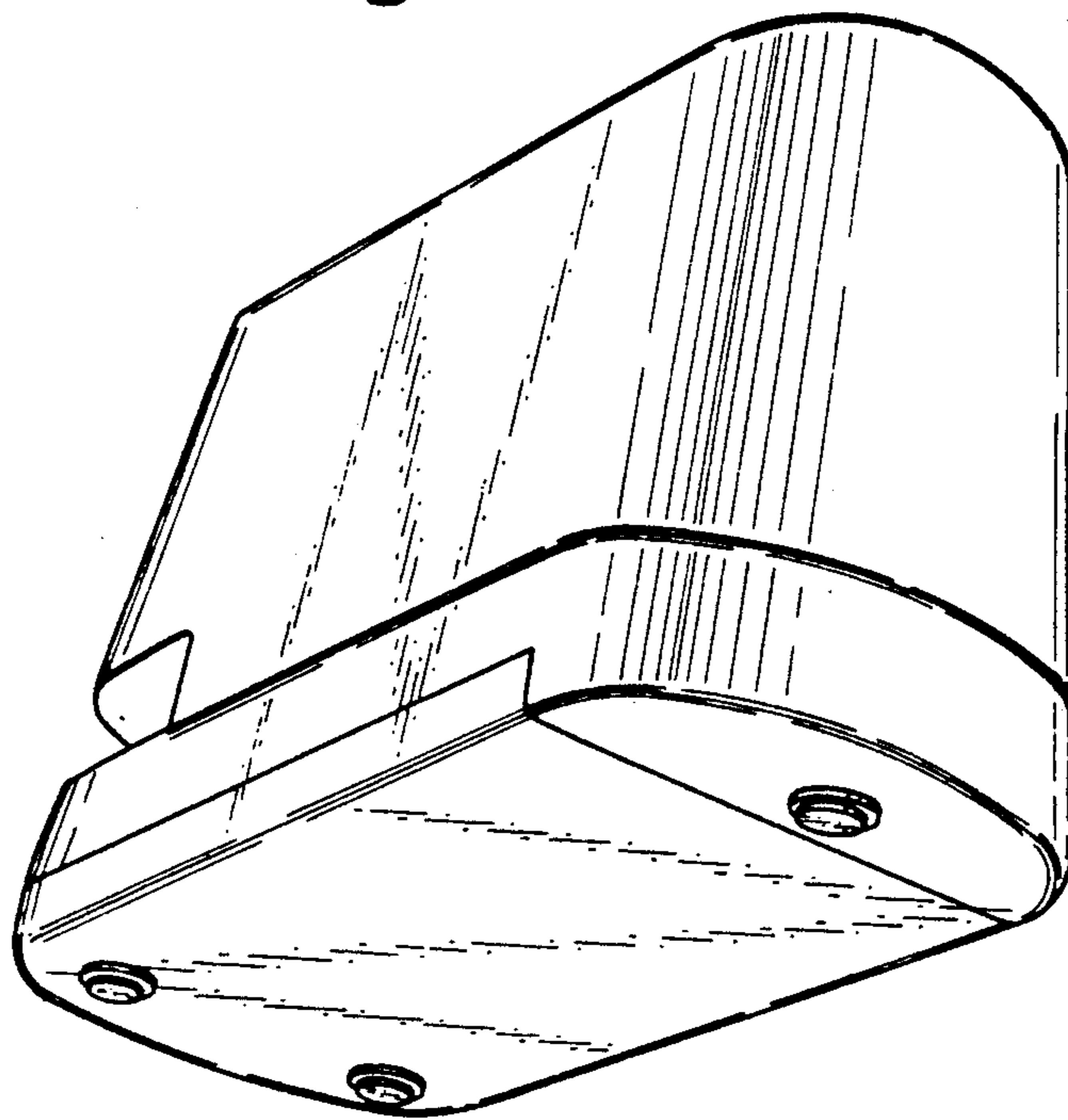


Fig. 3

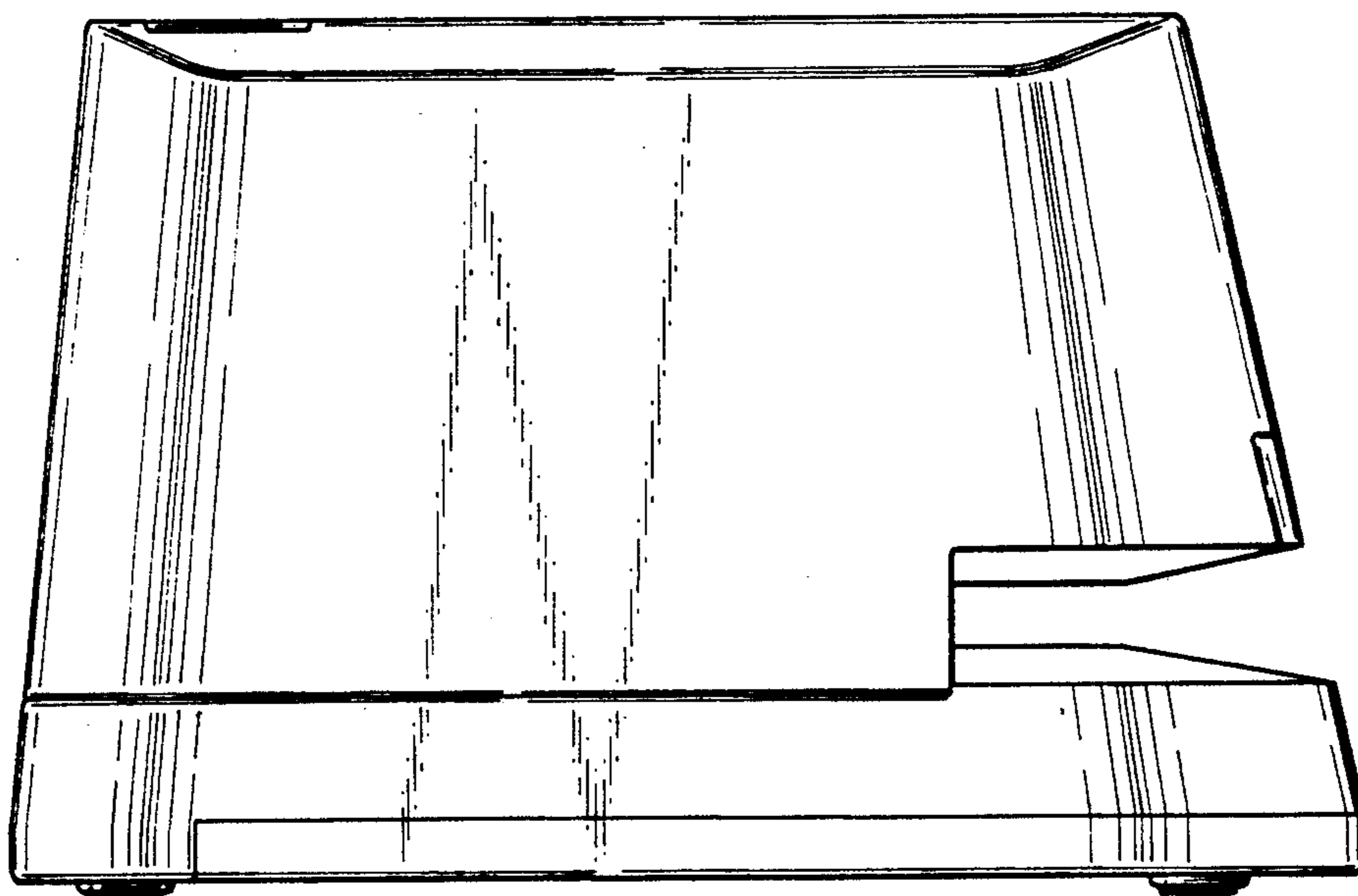


Fig. 4

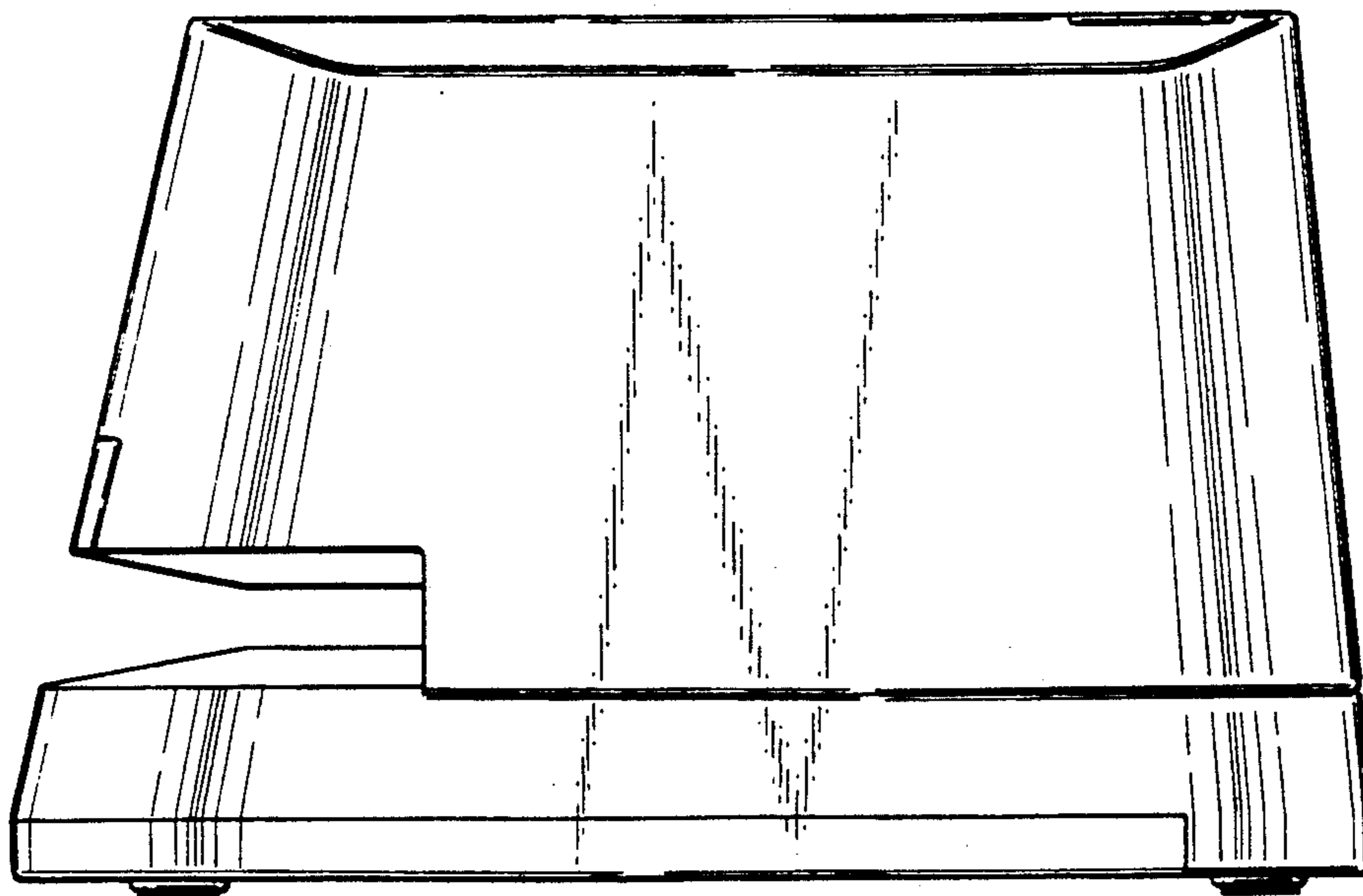


Fig. 5

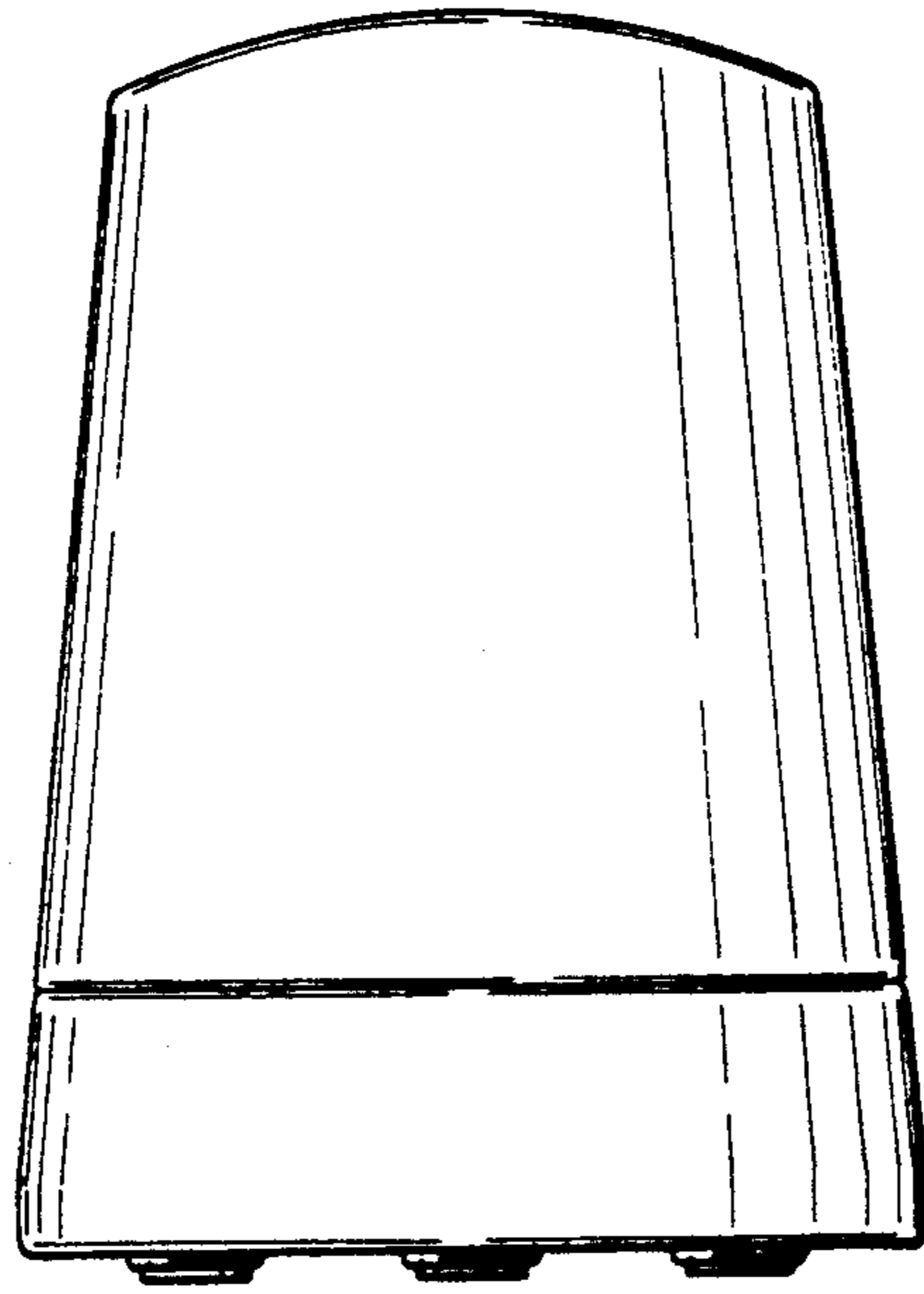


Fig. 6

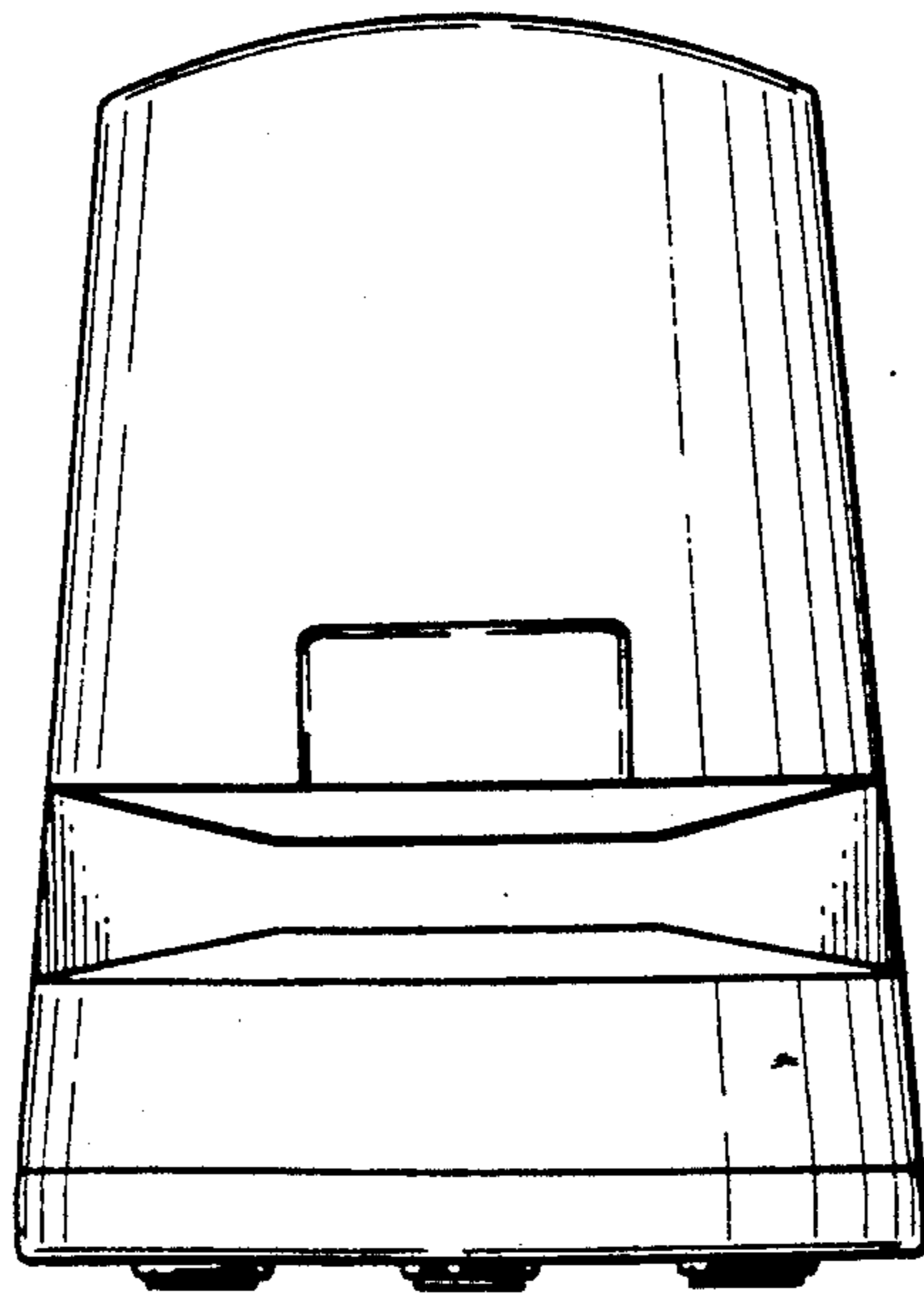


Fig. 7

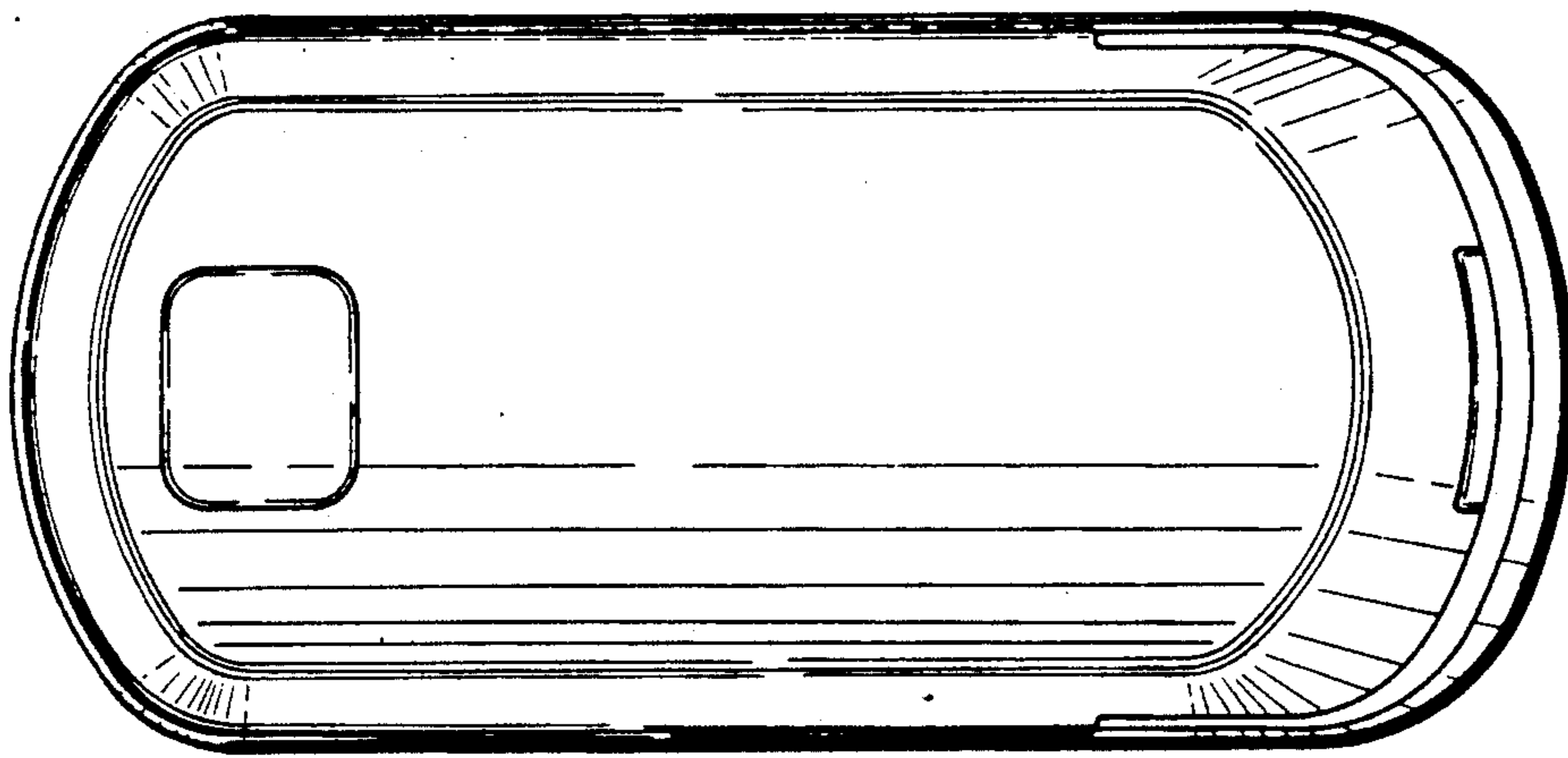


Fig. 8

