

[54] **TACO HOLDER**

[76] **Inventor: Thomas A. Cobb, 5625 Oregon Trail,
Fort Worth, Tex. 76148**

[**] **Term: 14 Years**

[21] **Appl. No.: 306,141**

[22] **Filed: Feb. 6, 1989**

[52] **U.S. Cl. D7/504**

[58] **Field of Search D7/504, 550; D1/105;
211/10, 11, 13, 41; 248/300**

[56] **References Cited**

U.S. PATENT DOCUMENTS

- D. 267,143 12/1982 Gessing et al. .
- D. 273,746 5/1984 Hunt .
- D. 273,929 5/1984 Rolli, Jr. .
- D. 278,199 4/1985 Richards .
- D. 288,273 2/1987 Gould .

- D. 291,269 8/1987 Richards D7/504
- D. 312,946 12/1990 Schoen D7/504
- 2,047,835 7/1936 Prew .
- 2,180,540 11/1939 Moebus et al. .
- 2,553,908 5/1951 Forman et al. .
- 2,741,901 4/1956 Silos .
- 4,004,501 1/1977 Guerrero .
- 4,270,660 6/1981 Putt .
- 4,573,579 3/1986 Murdick et al. .

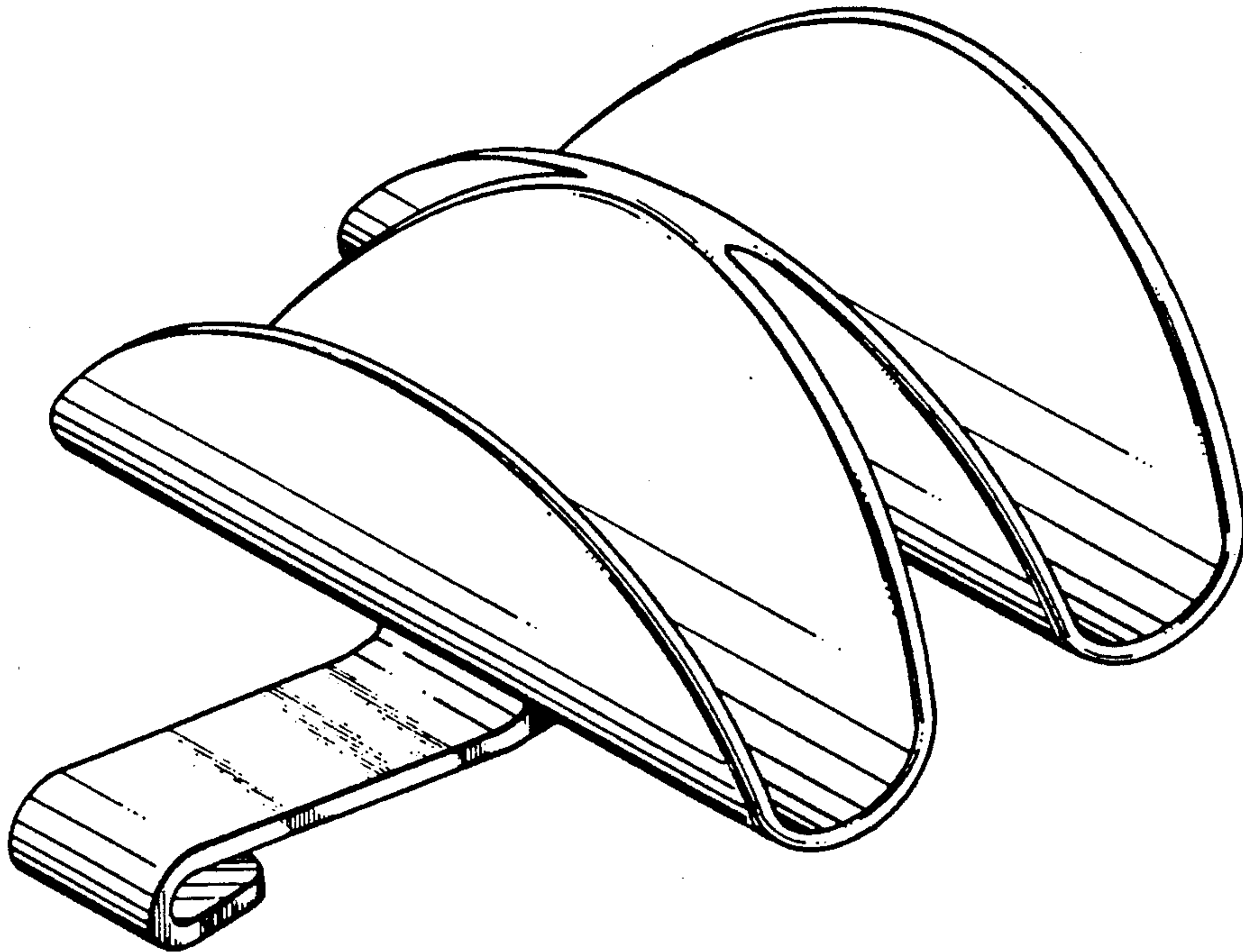
Primary Examiner—Terry A. Pfeffer
Attorney, Agent, or Firm—James E. Bradley

[57] **CLAIM**

The ornamental design for a taco holder, as shown.

DESCRIPTION

FIG. 1 is a top, front, right side perspective view of a taco holder showing my new design; and FIG. 2 is a bottom, rear, left side perspective view thereof.



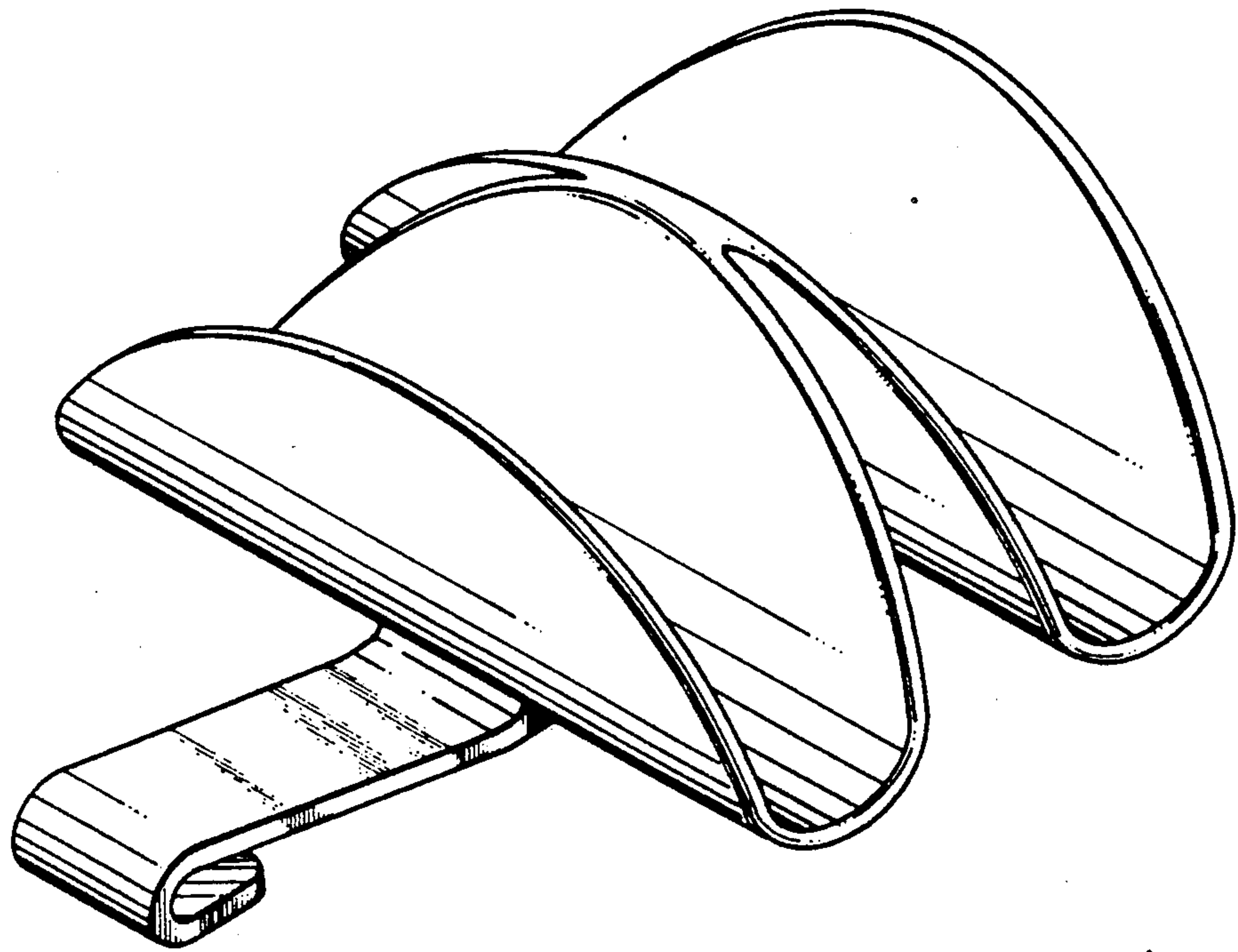


Fig. 1

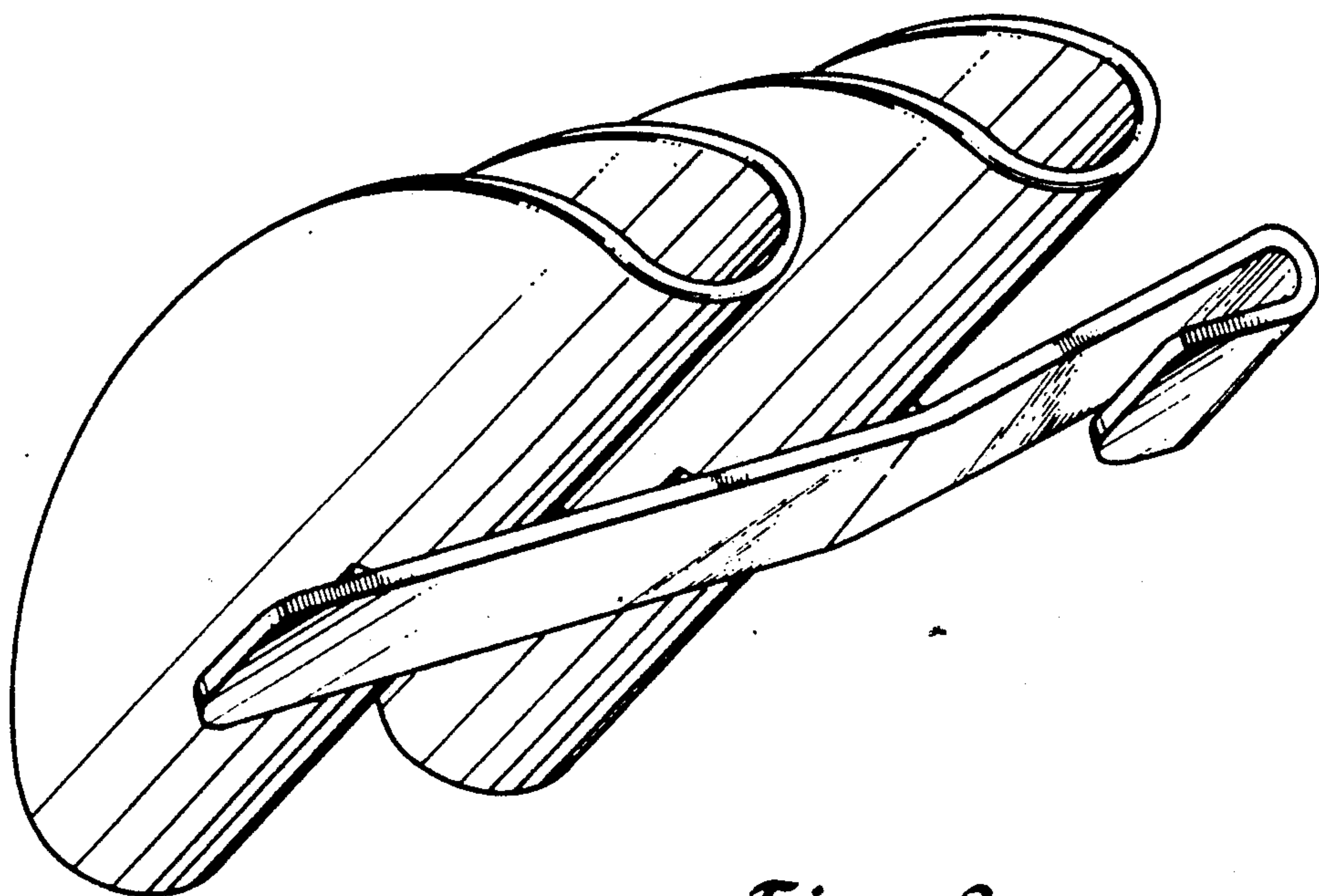


Fig. 2