

[54] FOOD PROCESSOR OR SIMILAR ARTICLE

[75] Inventor: Friedrich Otto, Hameln, Fed. Rep. of Germany

[73] Assignee: A. Stephan u. Söhne GmbH & Co., Hameln, Fed. Rep. of Germany

[**] Term: 14 Years

[21] Appl. No.: 221,360

[22] Filed: Jul. 19, 1988

[30] Foreign Application Priority Data

Jul. 18, 1988 [WO] World Int. Prop. O. DM/011370

[52] U.S. Cl. D7/384; D7/372; D7/376

[58] Field of Search D15/123, 122; D24/8, D24/1.1; D7/412, 384, 379, 414, 386, 413, 415, 376-379, 381, 383, 372-374, 665; 241/93, 37.5, 169.1

[56] References Cited

U.S. PATENT DOCUMENTS

- D. 226,124 1/1973 Roberts D7/379
- D. 254,948 5/1980 Besford D7/384
- D. 256,318 8/1980 Levin D7/384
- D. 272,120 1/1984 Sawada et al. D7/384
- D. 272,979 3/1984 Akita et al. D7/384
- D. 294,448 3/1988 Otto D7/368
- 3,224,743 12/1965 Freedman et al. D7/379 X

FOREIGN PATENT DOCUMENTS

2170395 8/1986 United Kingdom 241/37.5 X

Primary Examiner—Winifred E. Herrmann
Attorney, Agent, or Firm—Foley & Lardner

[57] CLAIM

The ornamental design for a food processor or similar article, as shown and described.

DESCRIPTION

FIG. 1 is a top, front, and right side perspective view of a food processor or similar article showing my new design;

FIG. 2 is a top, front, and left side perspective view thereof;

FIG. 3 is a front perspective view thereof;

FIG. 4 is a rear perspective view thereof;

FIG. 5 is a left side perspective view thereof;

FIG. 6 is a right side perspective view thereof;

FIG. 7 is a front elevational view thereof;

FIG. 8 is a left side elevational view thereof;

FIG. 9 is another top, front, and right side perspective view of my new design of FIGS. 1-8 wherein the cover and crank handle have been removed for convenience of illustration;

FIG. 10 is another top, front, and right side perspective view of my new design wherein the control panel has been modified; all other views being correspondingly the same as in FIGS. 1-7; and

FIG. 11 is still another top, front, and right side perspective view of my new design wherein the bowl cover and bowl interior have been modified; all other views being similar to those views in FIGS. 1-8.

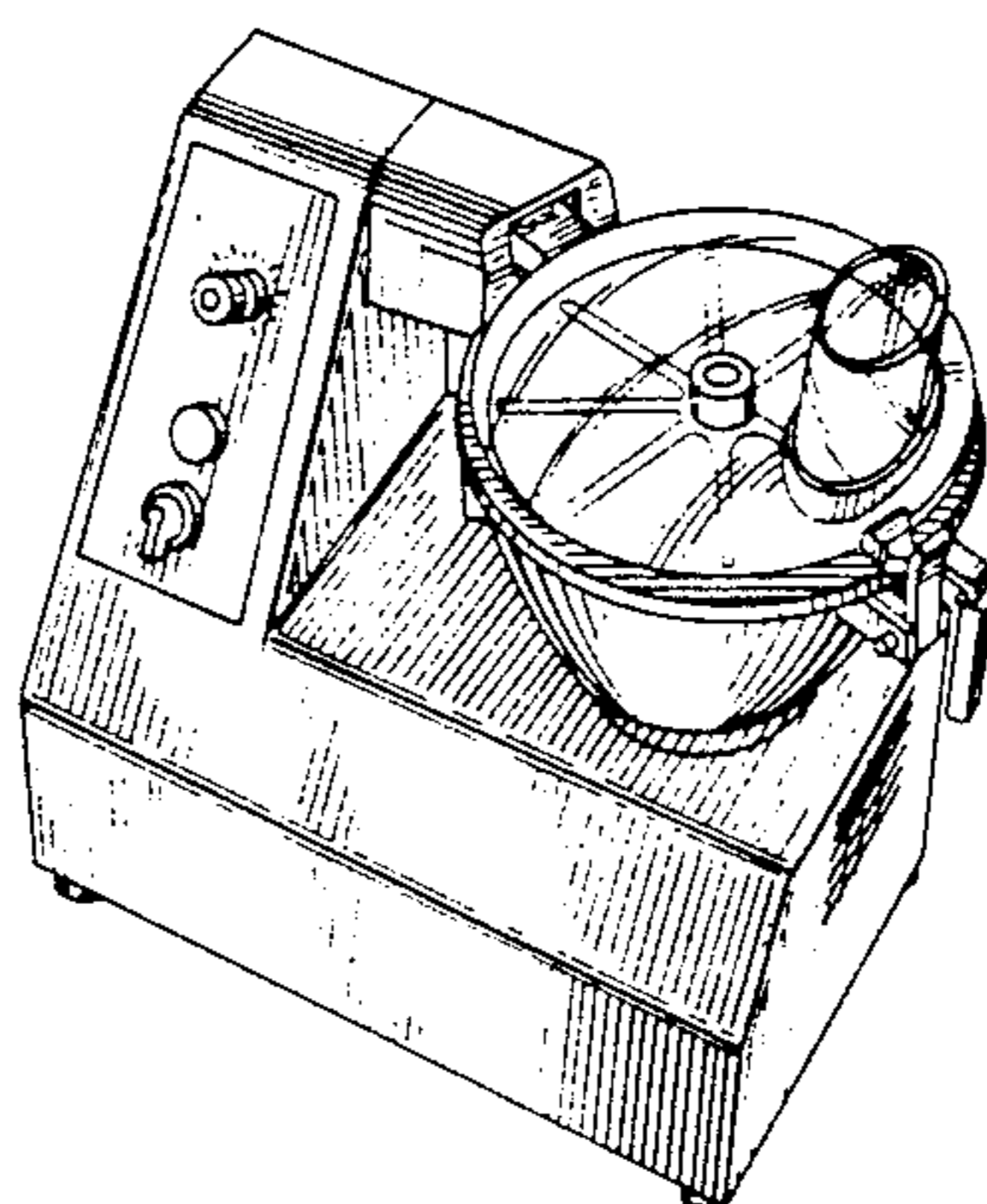
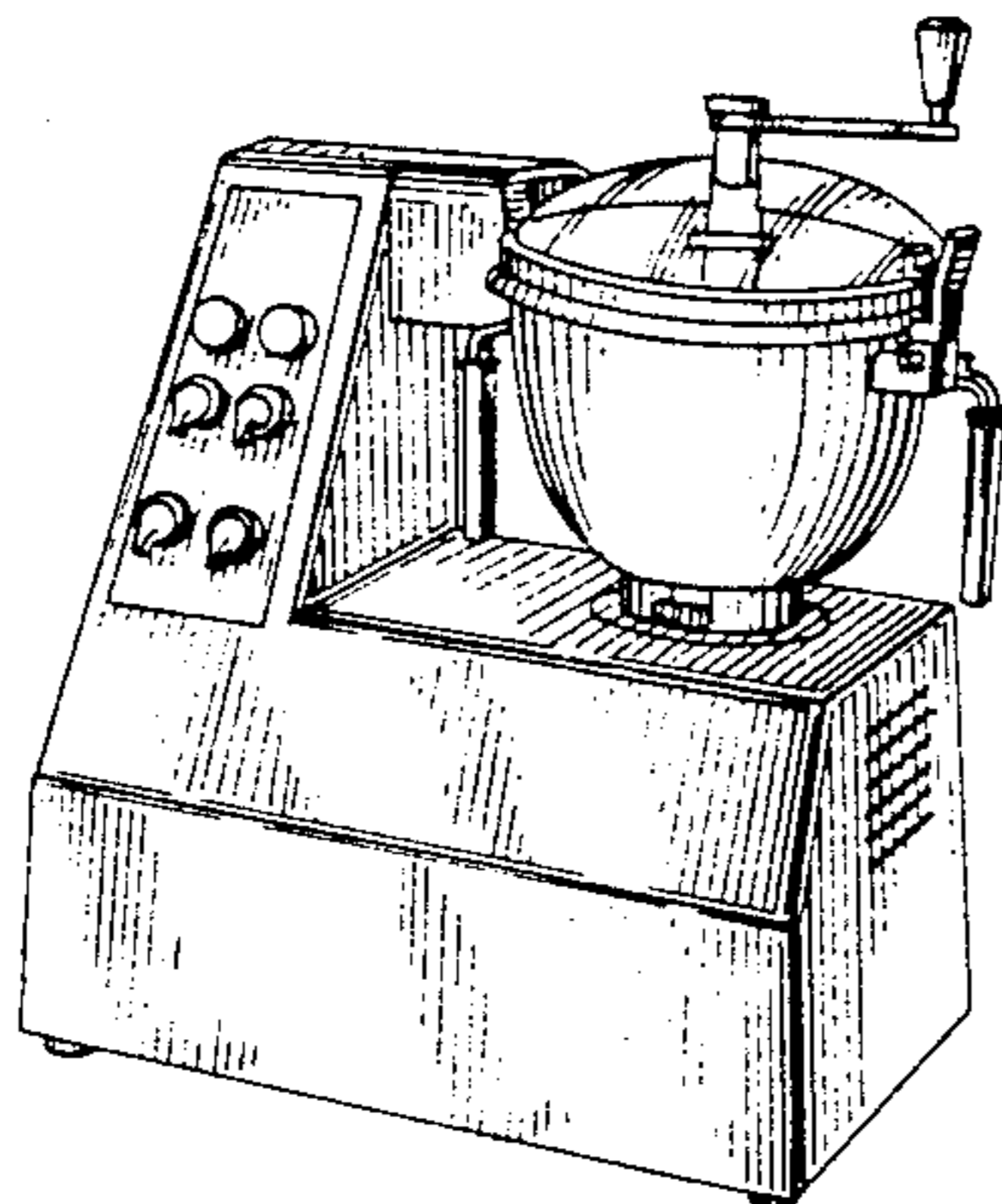
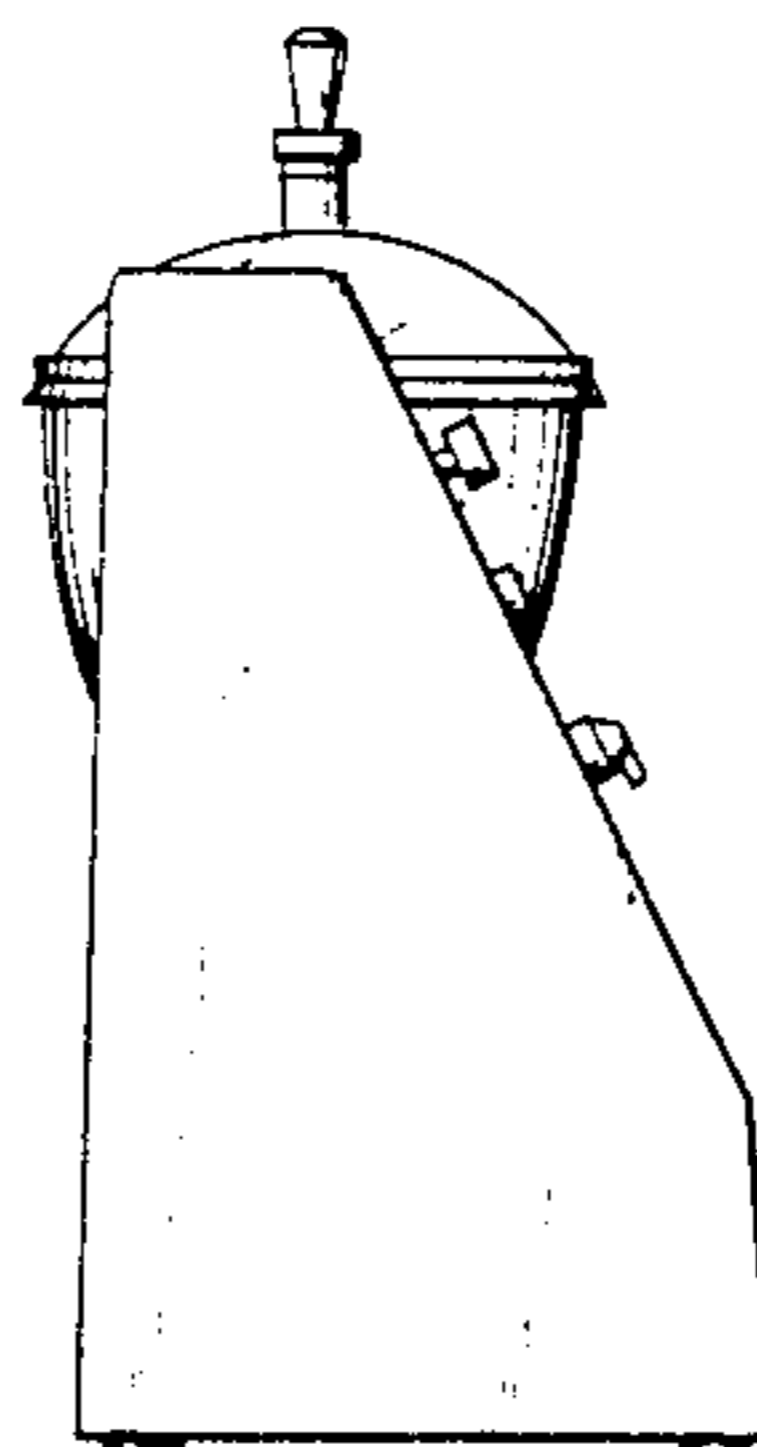
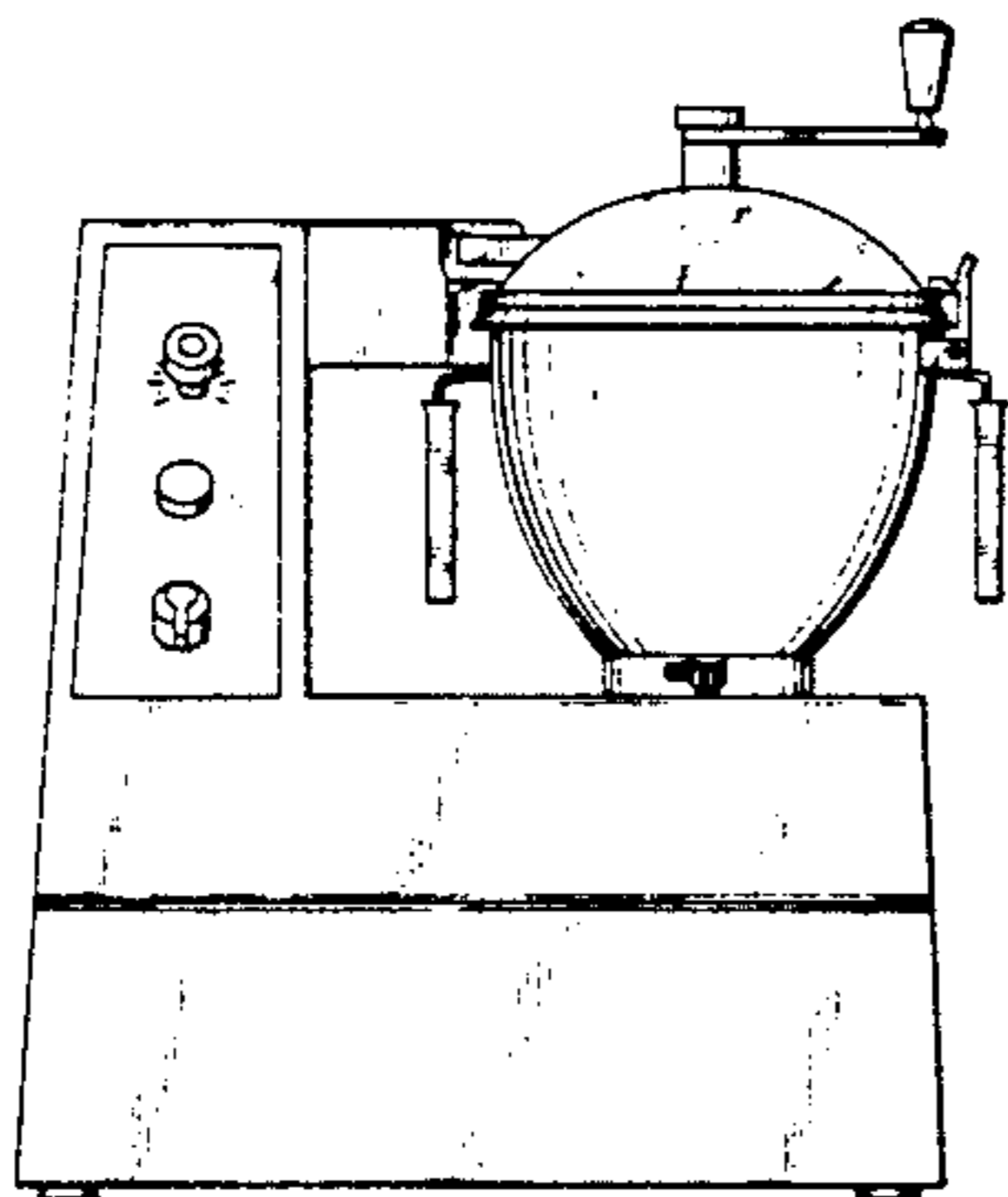


FIG. 2.

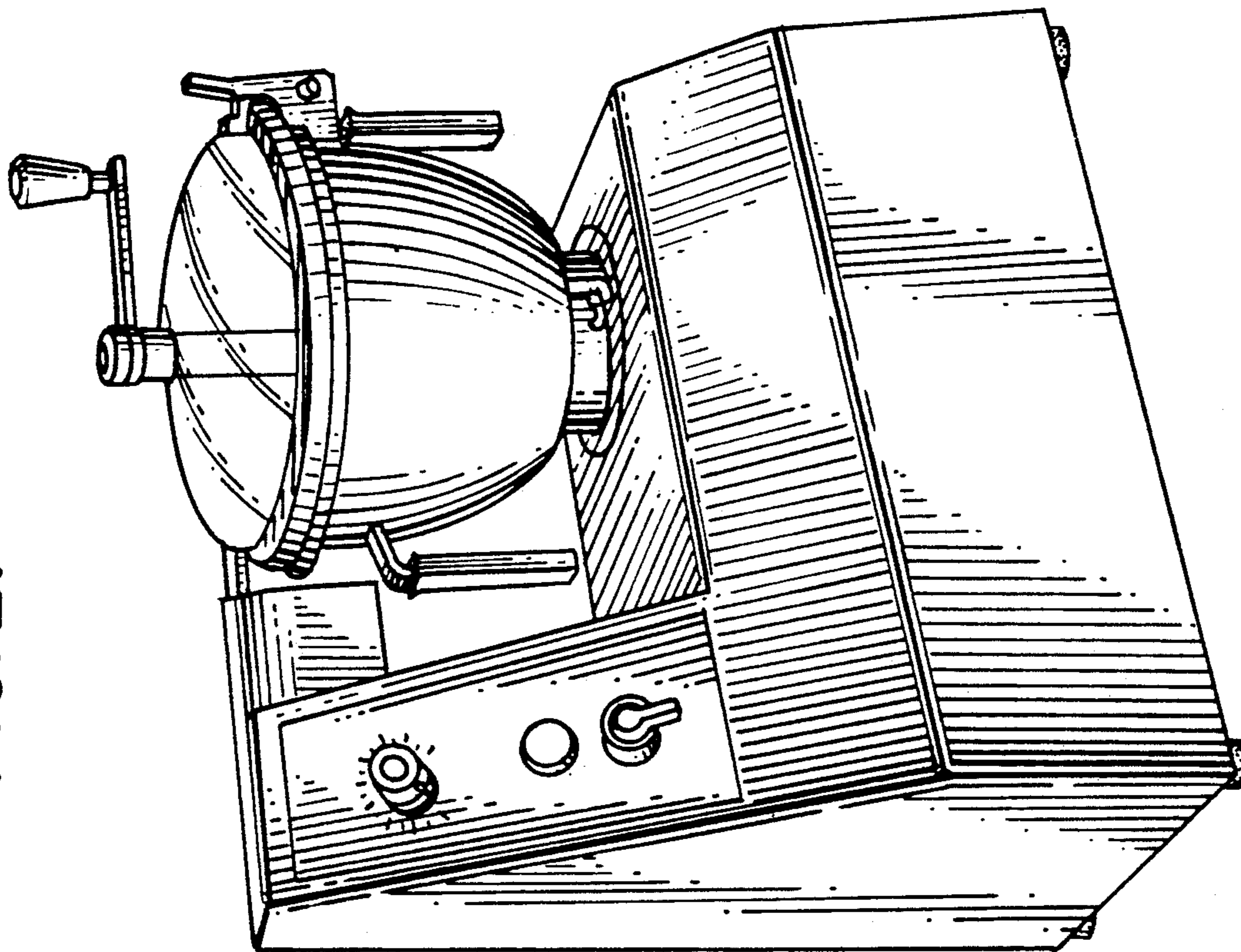


FIG. 1.

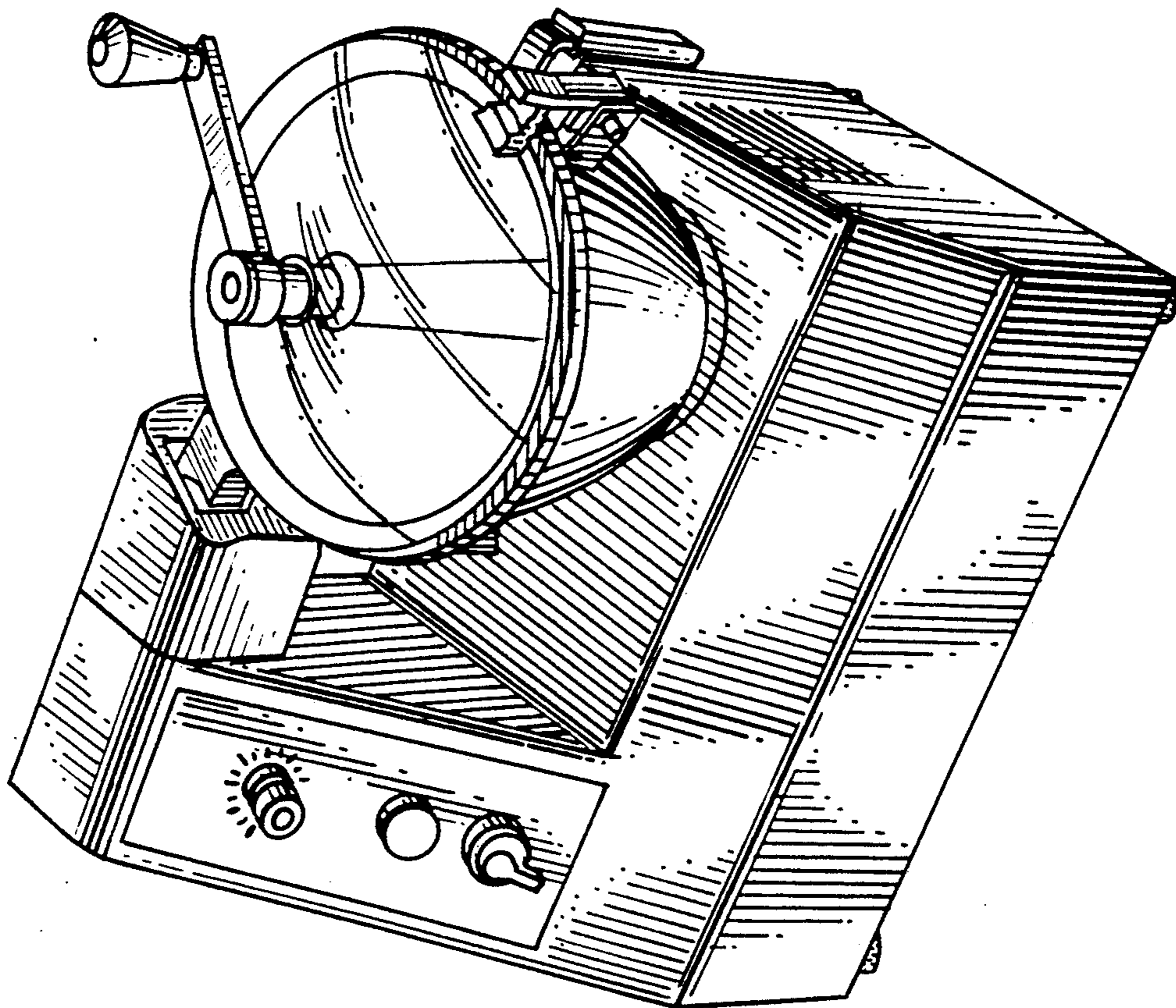


FIG. 4.

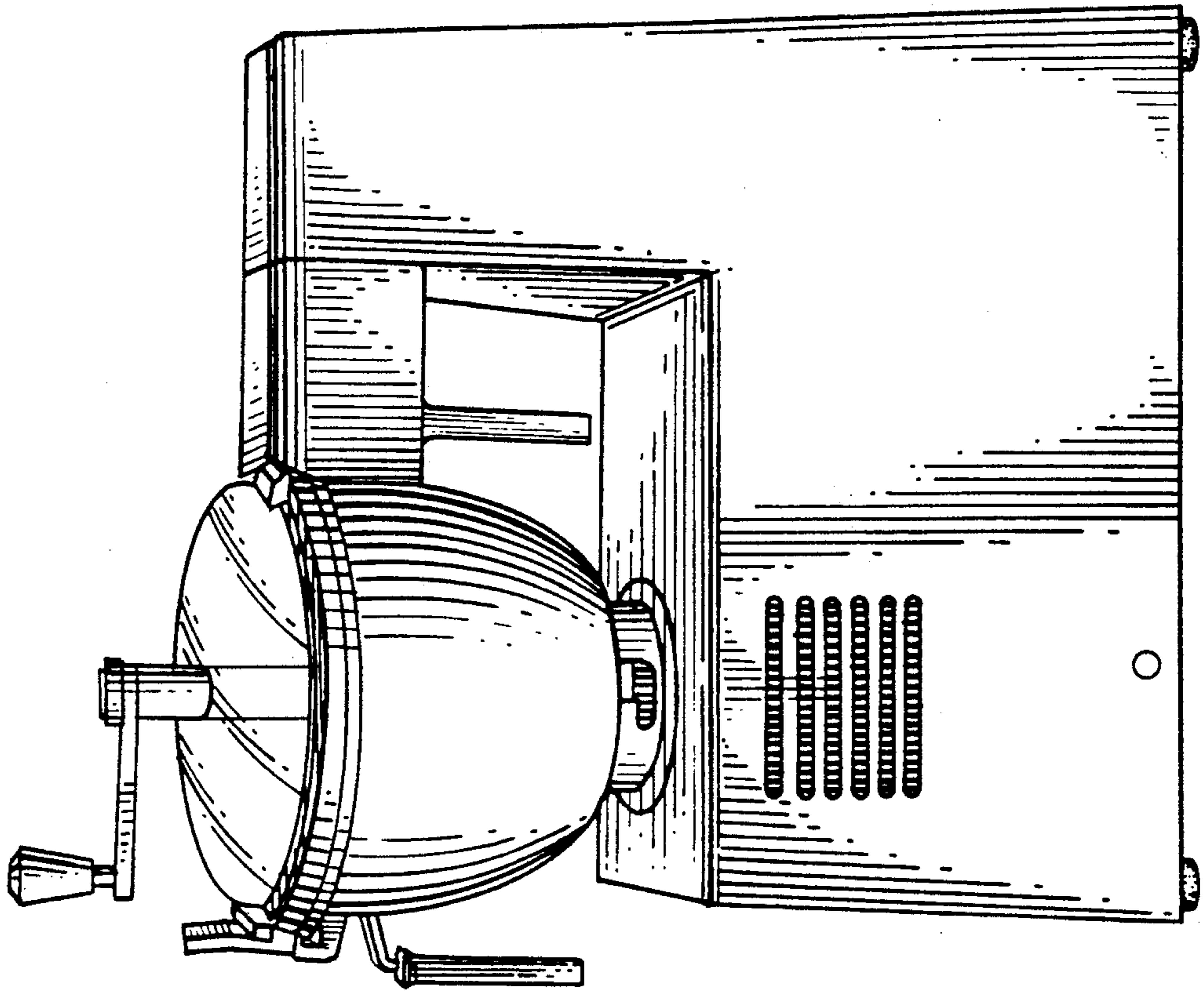


FIG. 3.

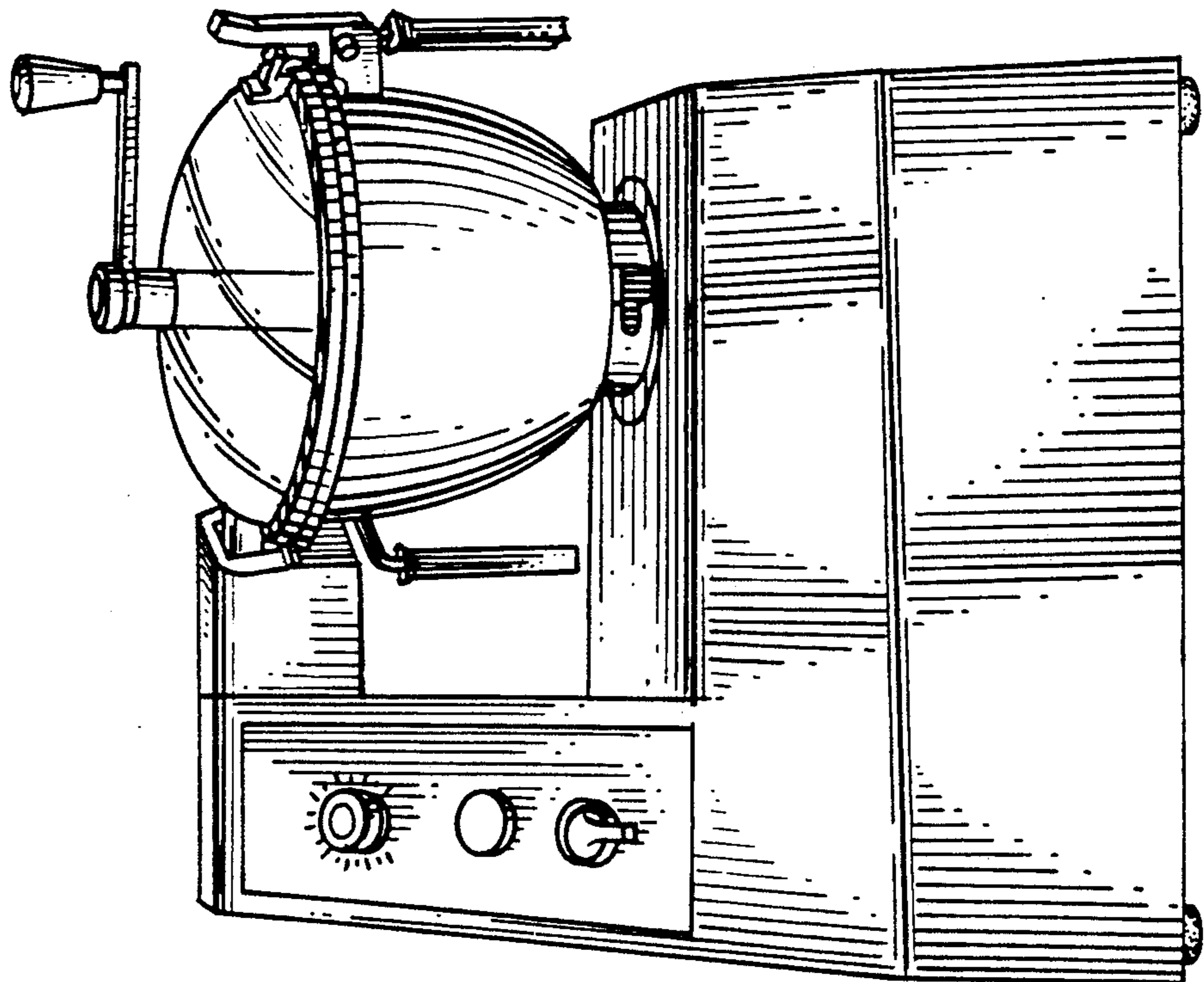


FIG. 6.

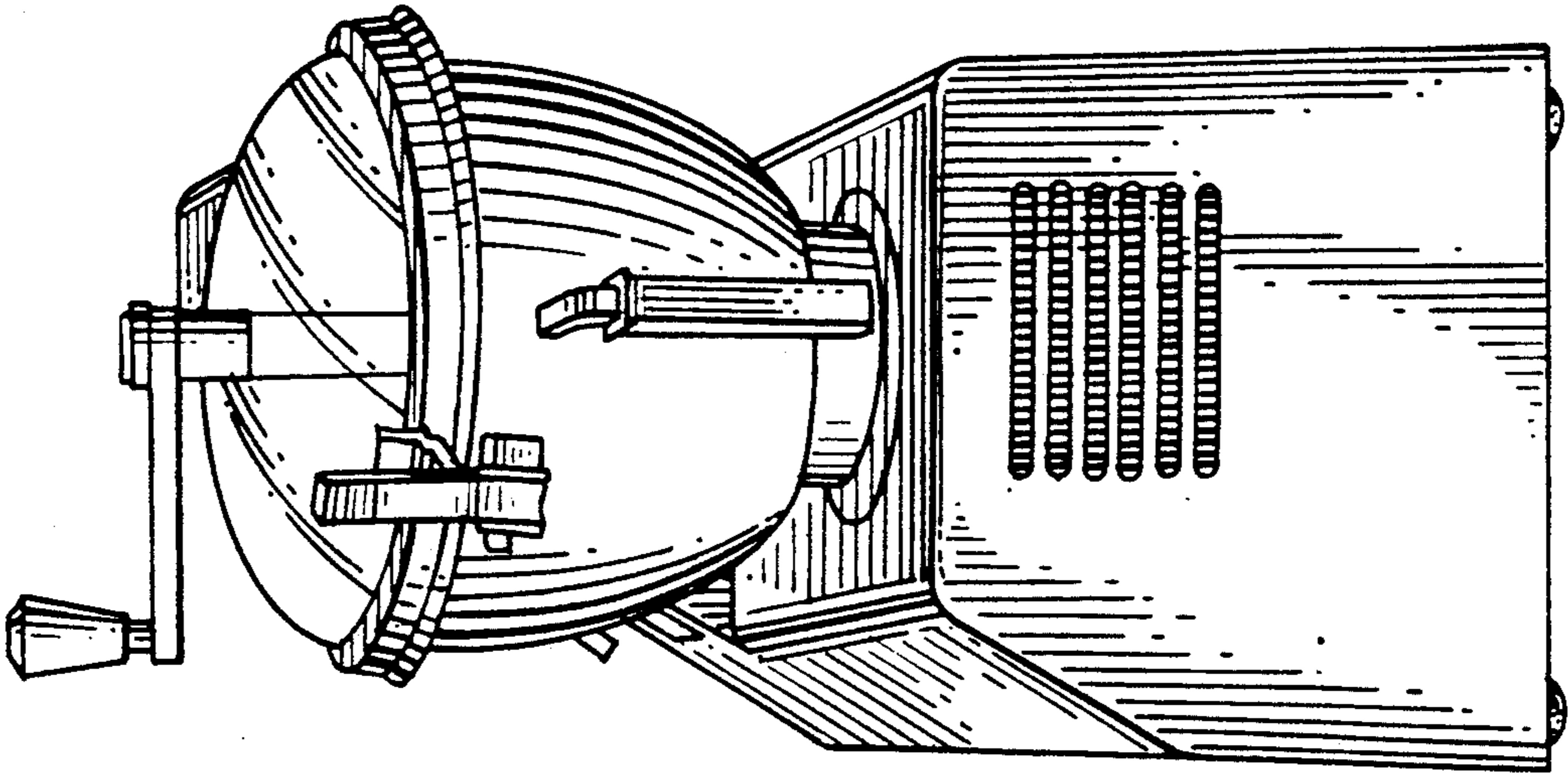


FIG. 5.

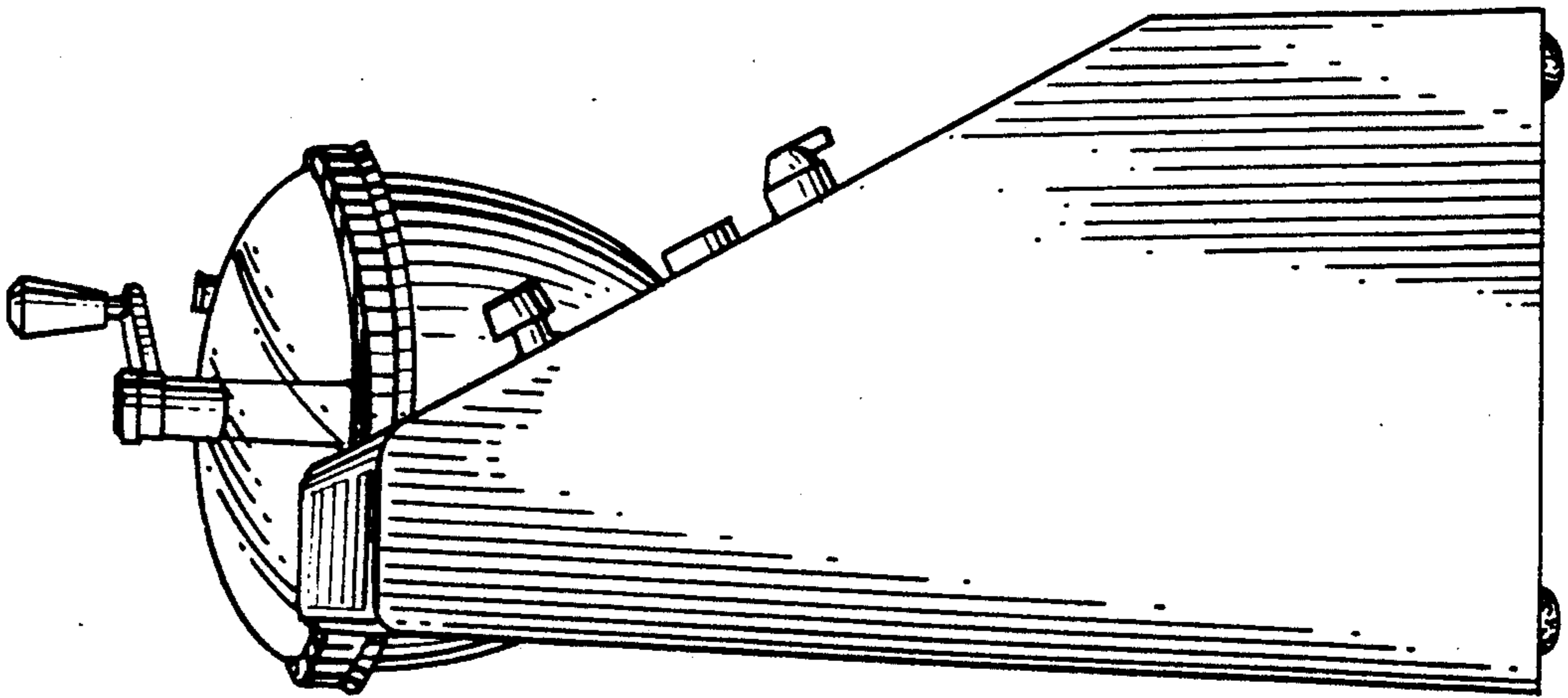


FIG. 8

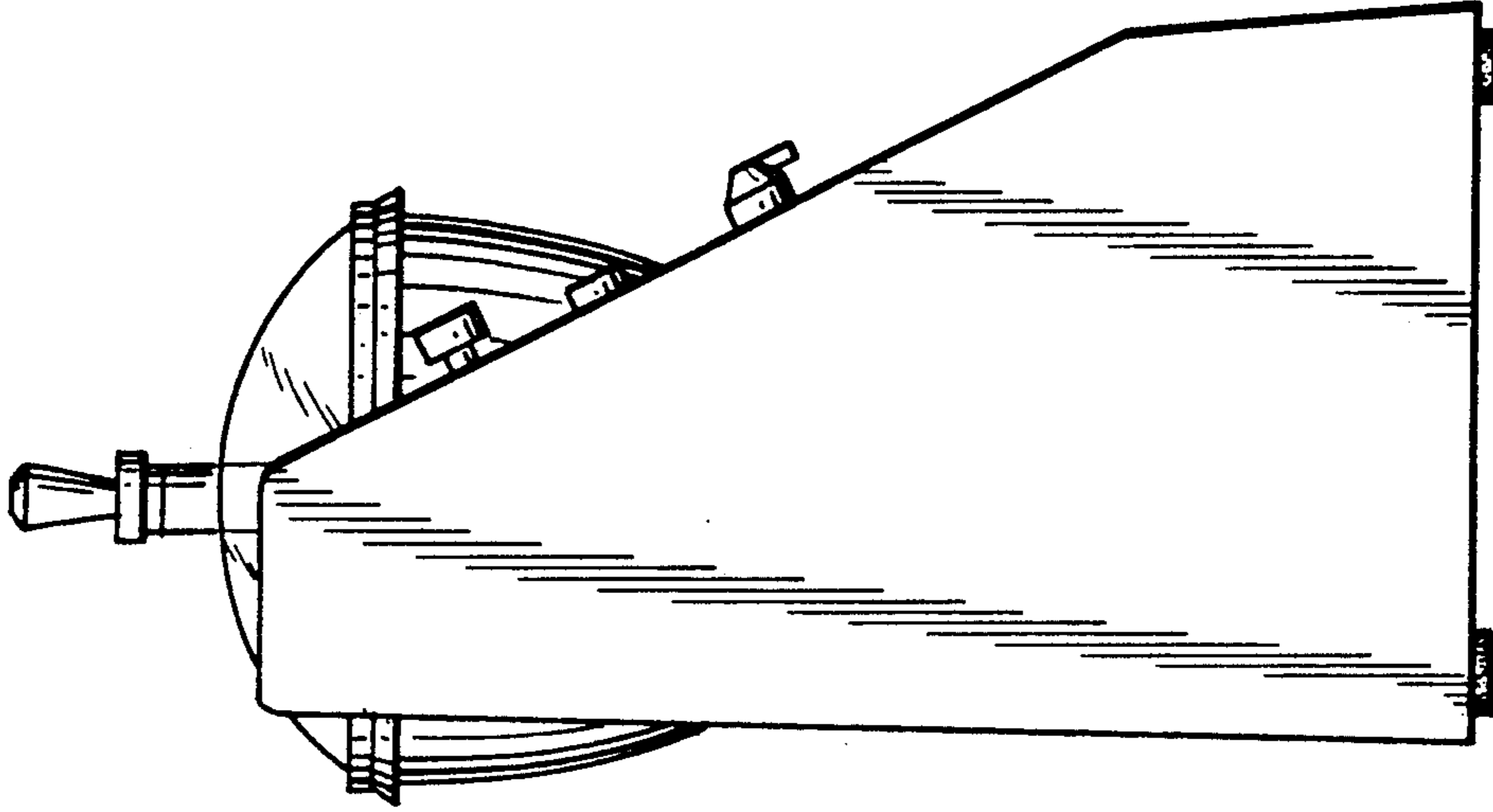


FIG. 7

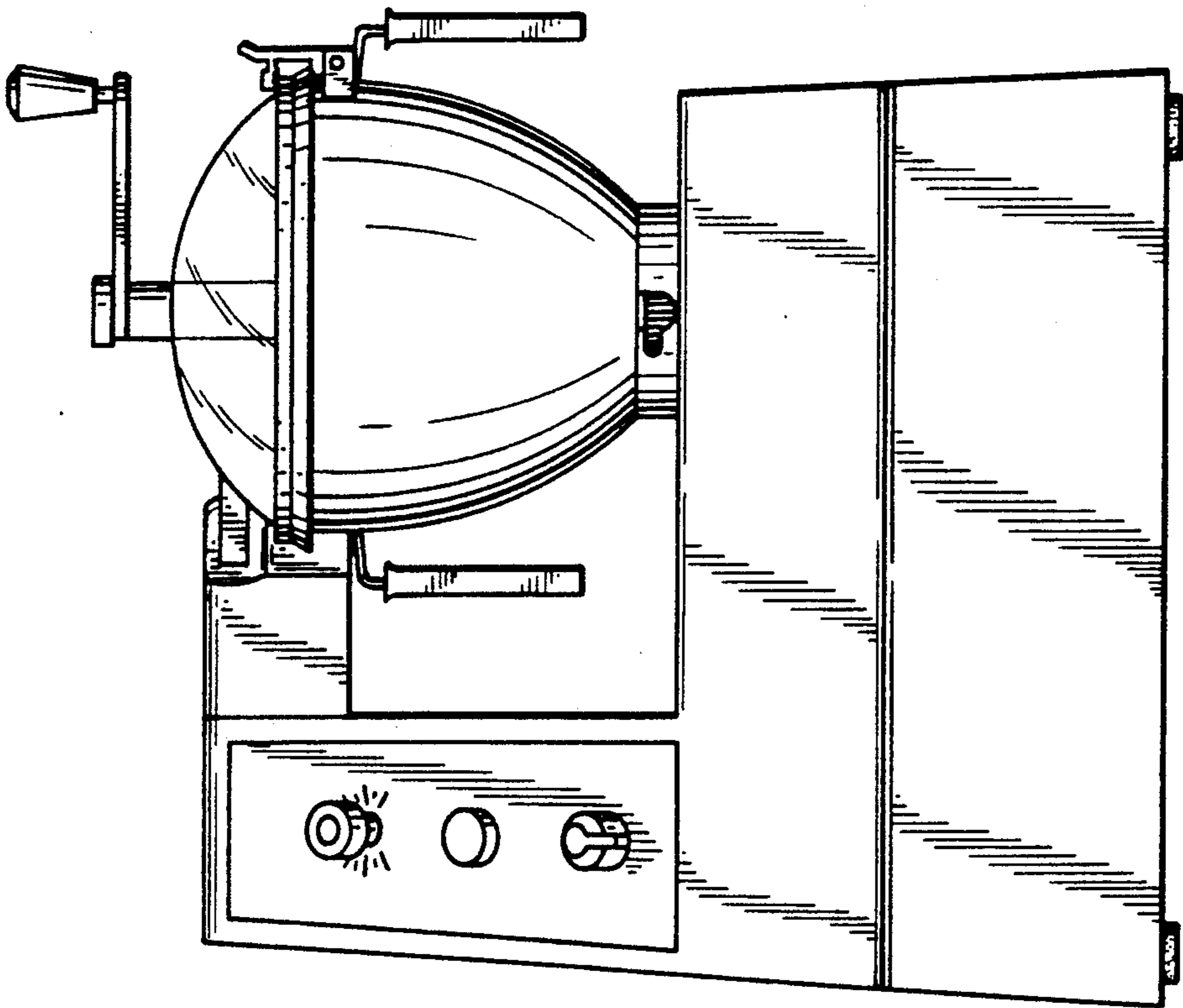


FIG. 10.

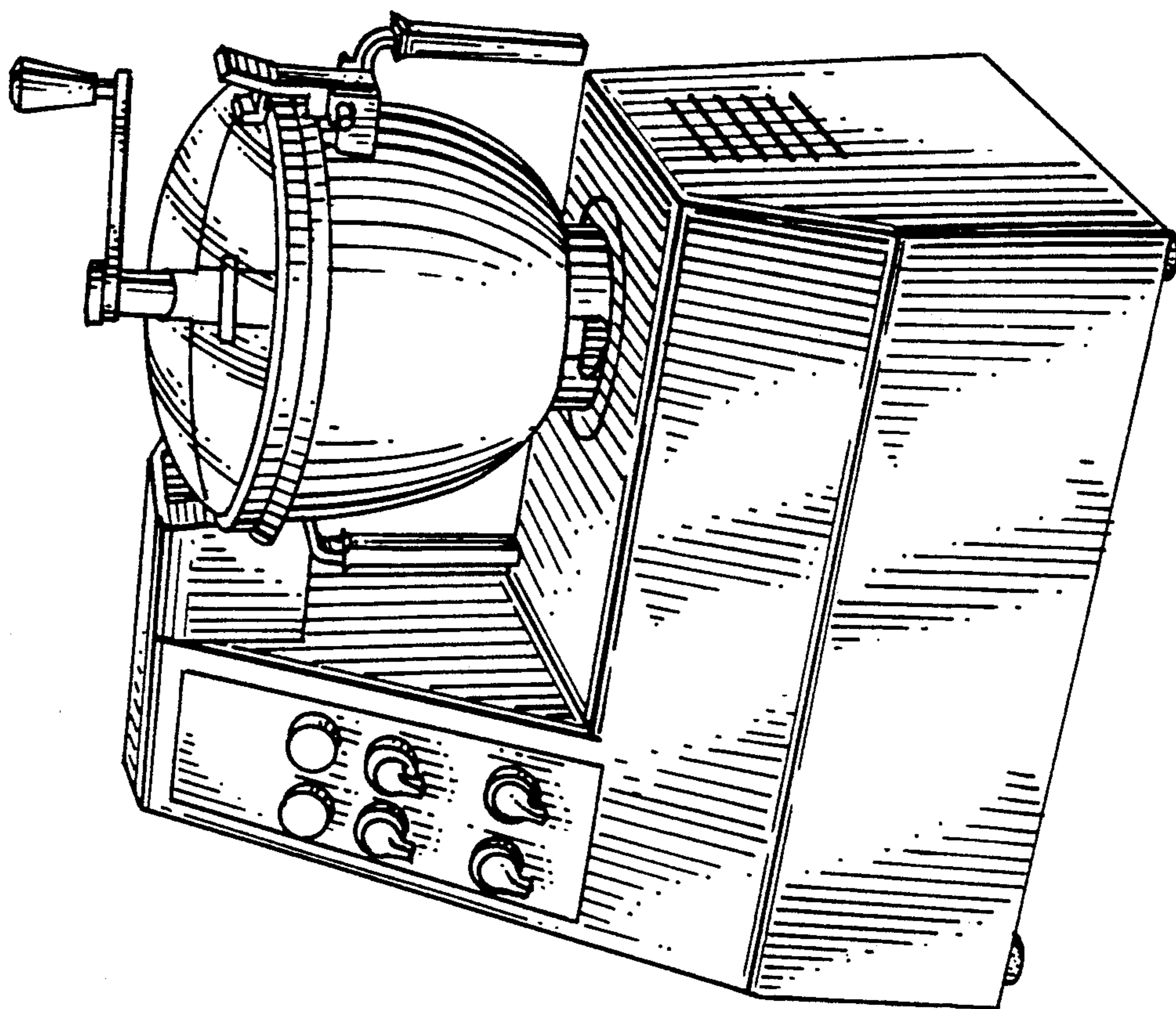


FIG. 9.

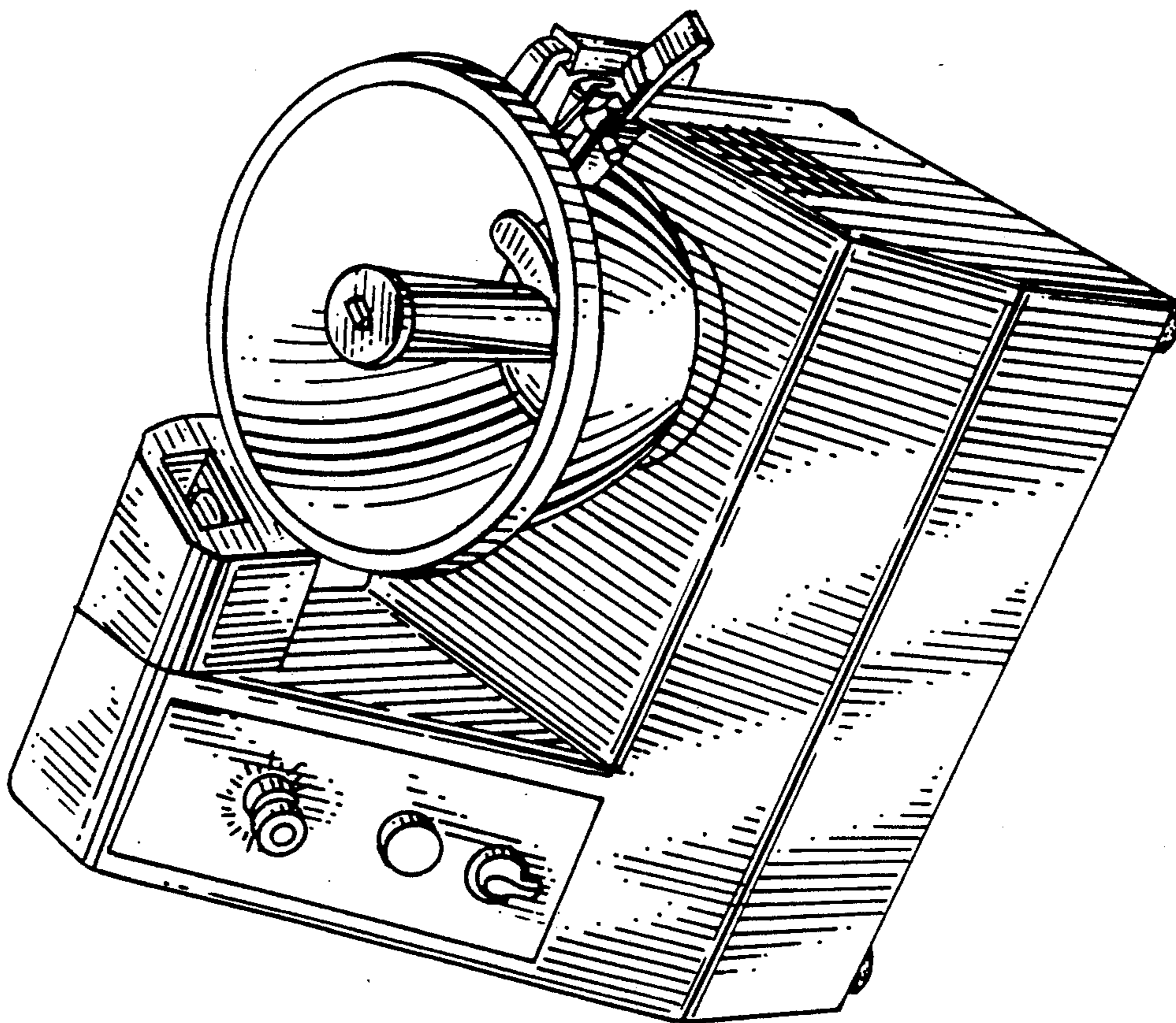


FIG. 11

