

[54] STAND FOR AN ELECTRIC TOOTHBRUSH

4,740,706 4/1988 Murdock, III ..... 312/209 X  
4,915,219 4/1990 Ottimo ..... 206/362.1 X

[75] Inventors: Shigehiro Uemura, Kyoto; Haruo Miyazaki, Neyagawa; Kazuo Takada, Nara, all of Japan

FOREIGN PATENT DOCUMENTS

[73] Assignee: Sanyo Electric Co., Ltd., Osaka, Japan

329091 5/1971 Japan .  
392961 11/1975 Japan .  
507433 7/1980 Japan .  
56-2360 10/1981 Japan .

[\*\*] Term: 14 Years

Primary Examiner—Brian N. Vinson  
Attorney, Agent, or Firm—Darby & Darby

[21] Appl. No.: 449,729

[57] CLAIM

[22] Filed: Dec. 11, 1989

The ornamental design for a stand for an electric toothbrush, as shown and described.

[30] Foreign Application Priority Data

DESCRIPTION

Jun. 12, 1989 [JP] Japan ..... 1-21677

[52] U.S. Cl. .... D6/534; D13/108; D4/199

FIG. 1 is a top, front, and right side perspective view of a stand for an electric toothbrush showing our new design;

[56] References Cited

U.S. PATENT DOCUMENTS

2,121,488 6/1938 Nofz ..... 206/209.1  
2,592,131 4/1952 Farrar ..... 206/209.1 X  
3,428,380 2/1969 Danjczek ..... 211/69.5 X  
3,904,362 9/1975 DiPaolo ..... 206/209.1

FIG. 2 is a front elevational view thereof;

FIG. 3 is a rear elevational view thereof;

FIG. 4 is a top plan view thereof;

FIG. 5 is a bottom plan view thereof;

FIG. 6 is a left side elevational view thereof; and

FIG. 7 is a right side elevational view thereof.

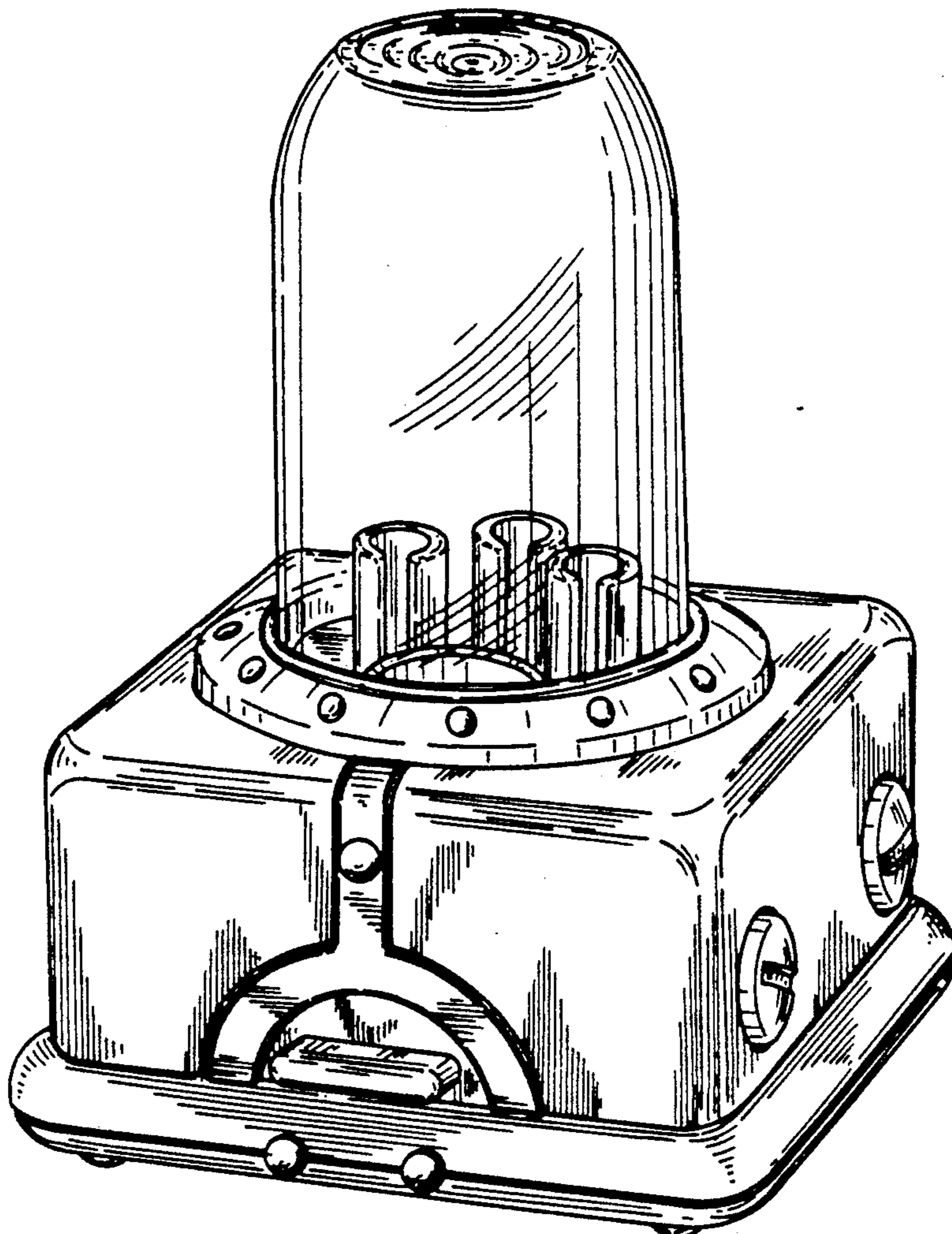


FIG. 1

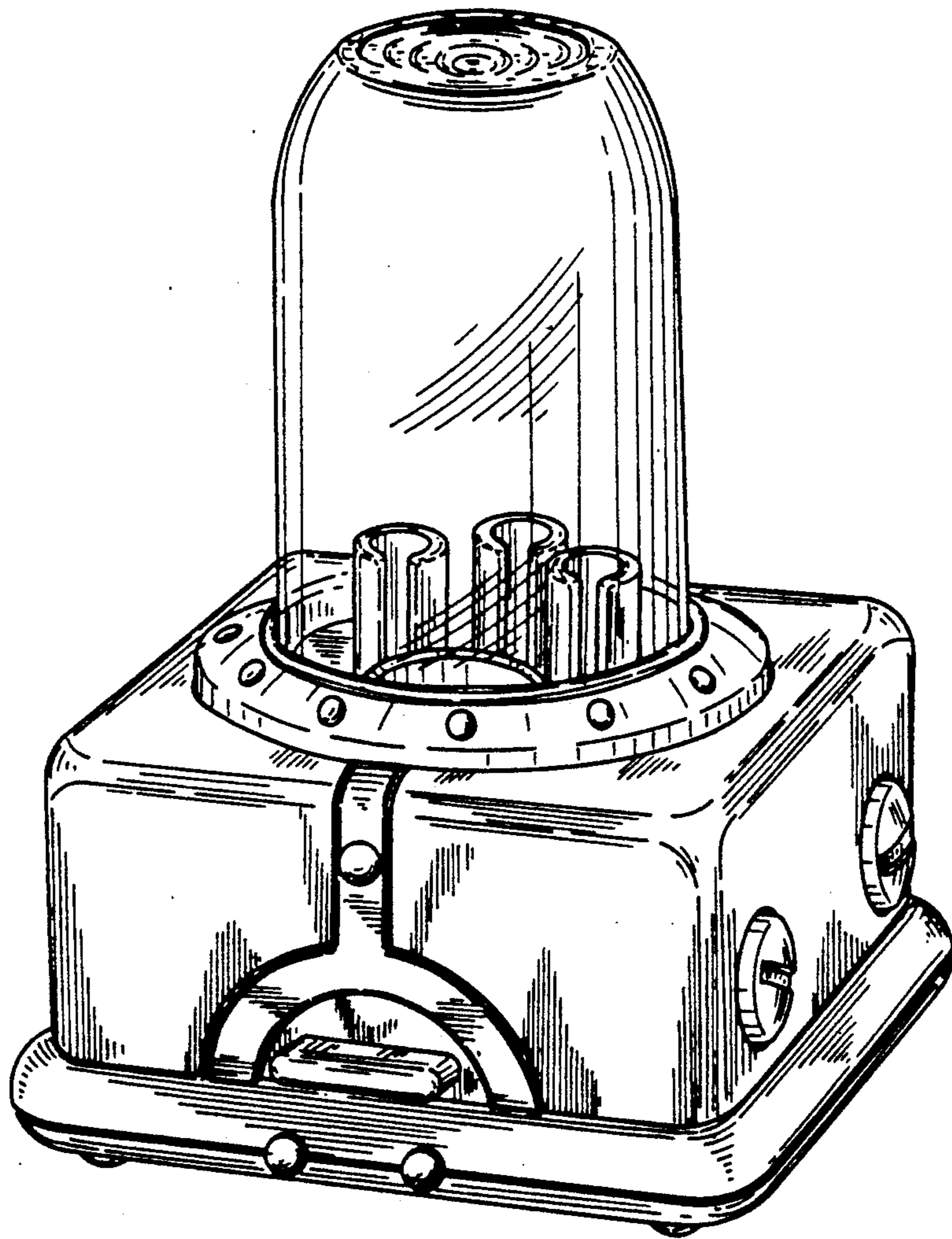


FIG. 3

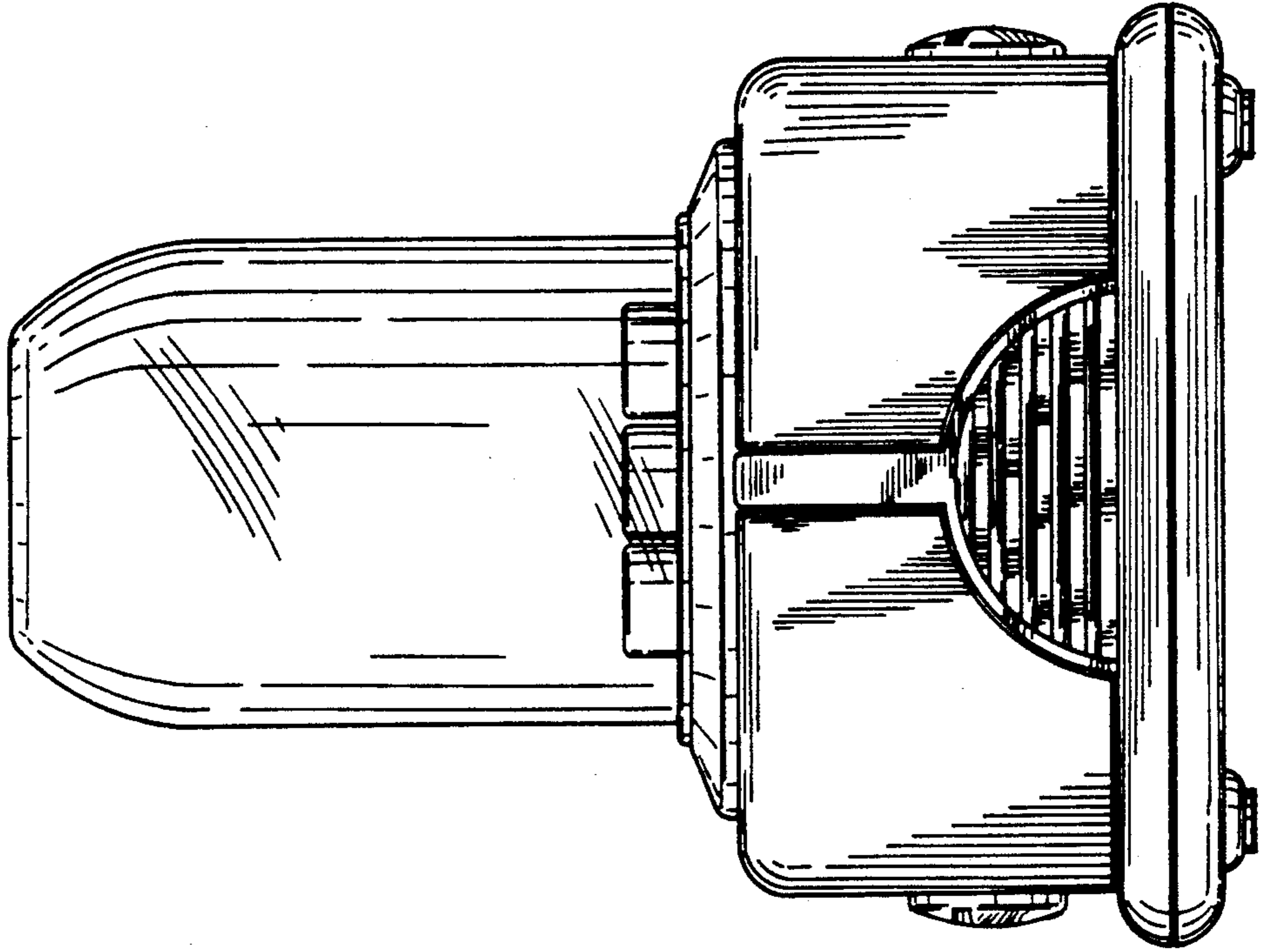


FIG. 2

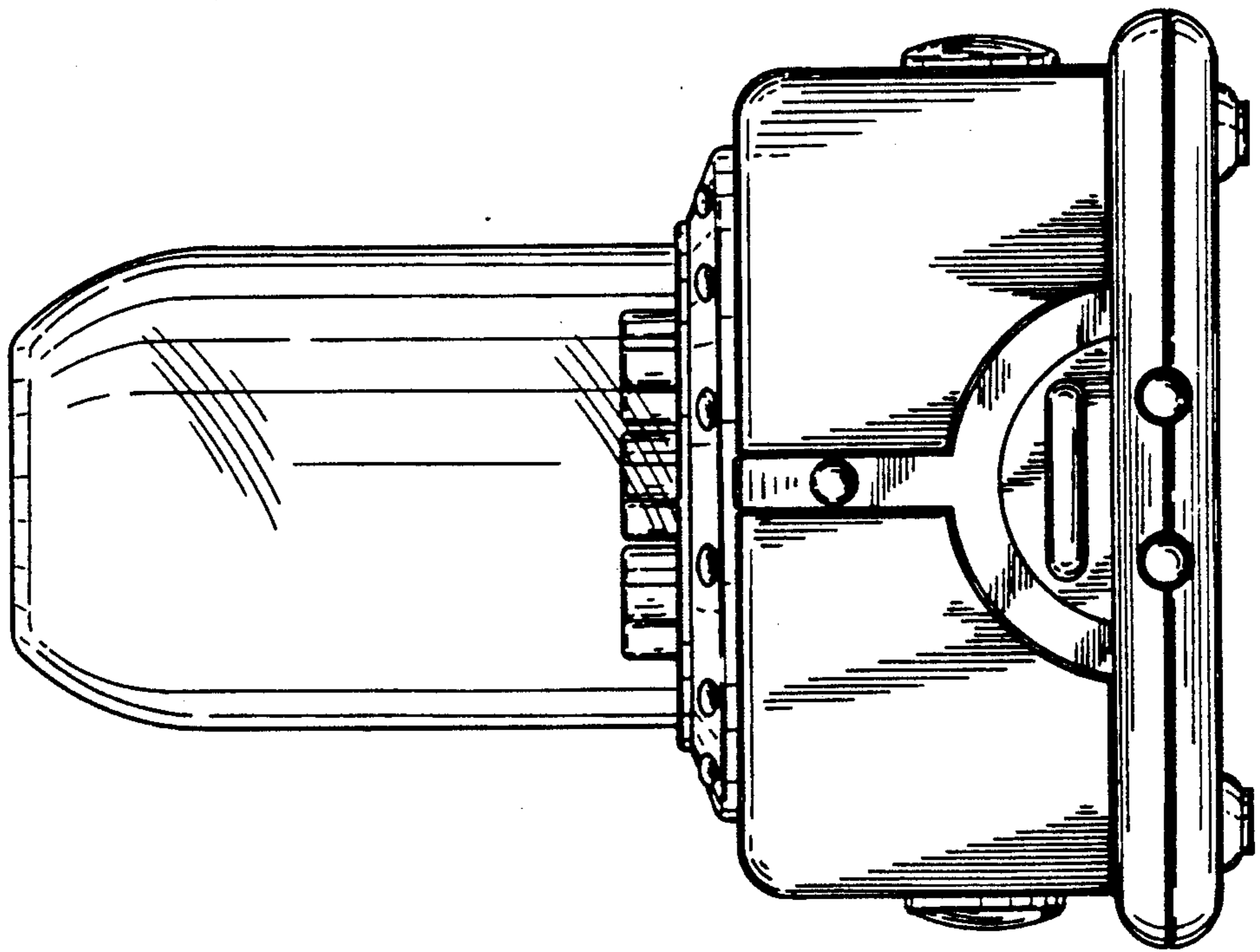


FIG. 5

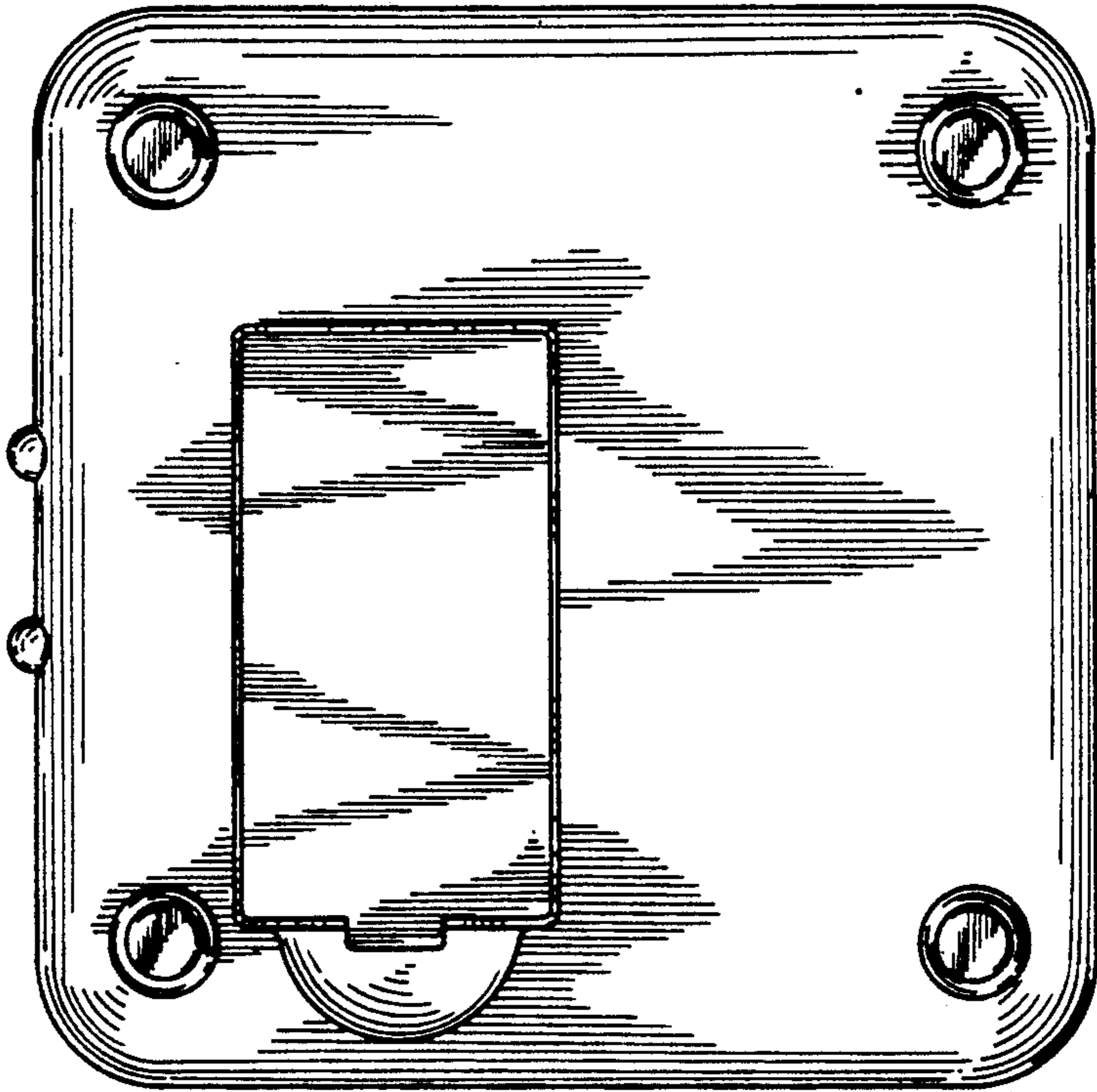


FIG. 4

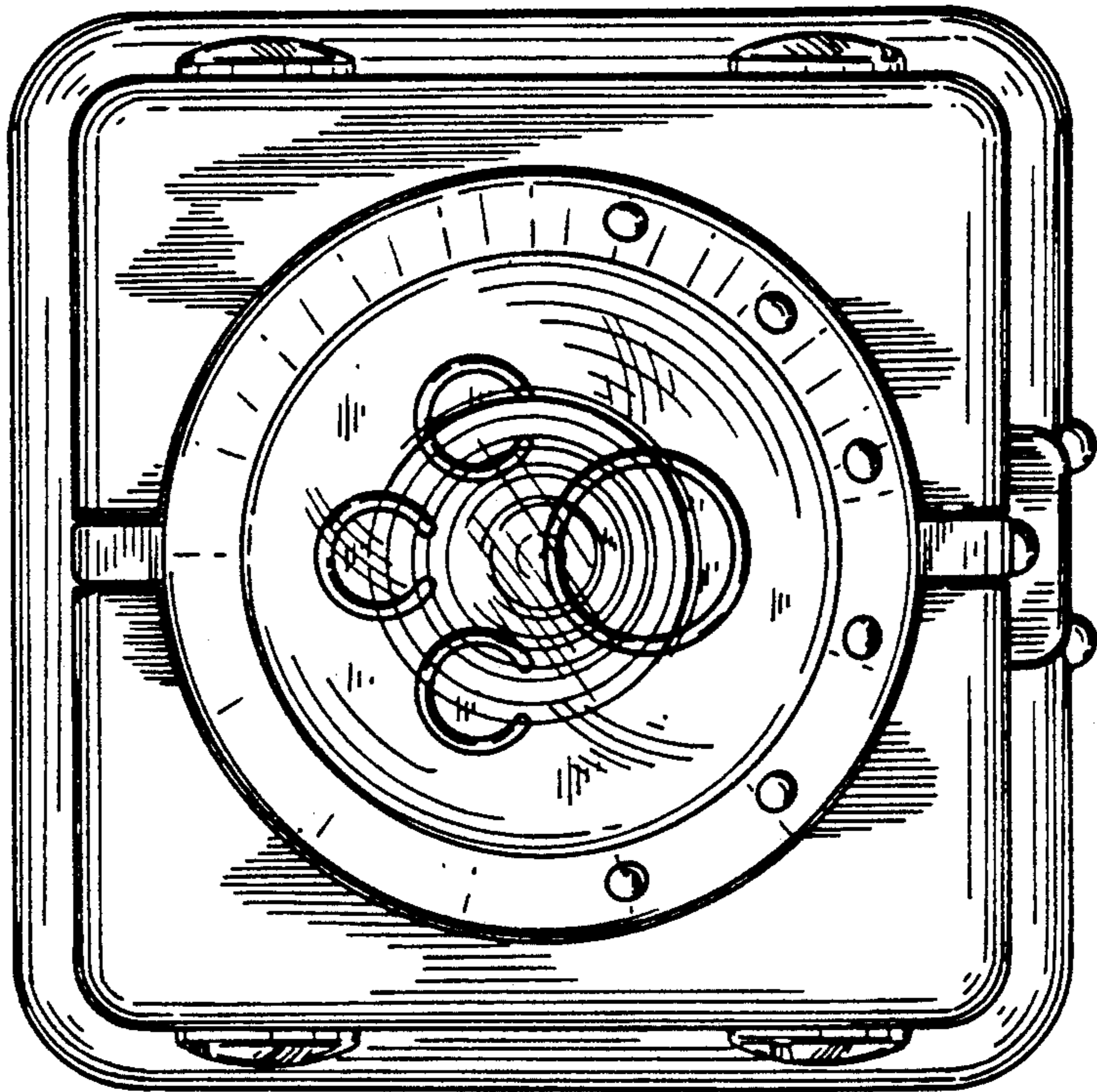


FIG. 7

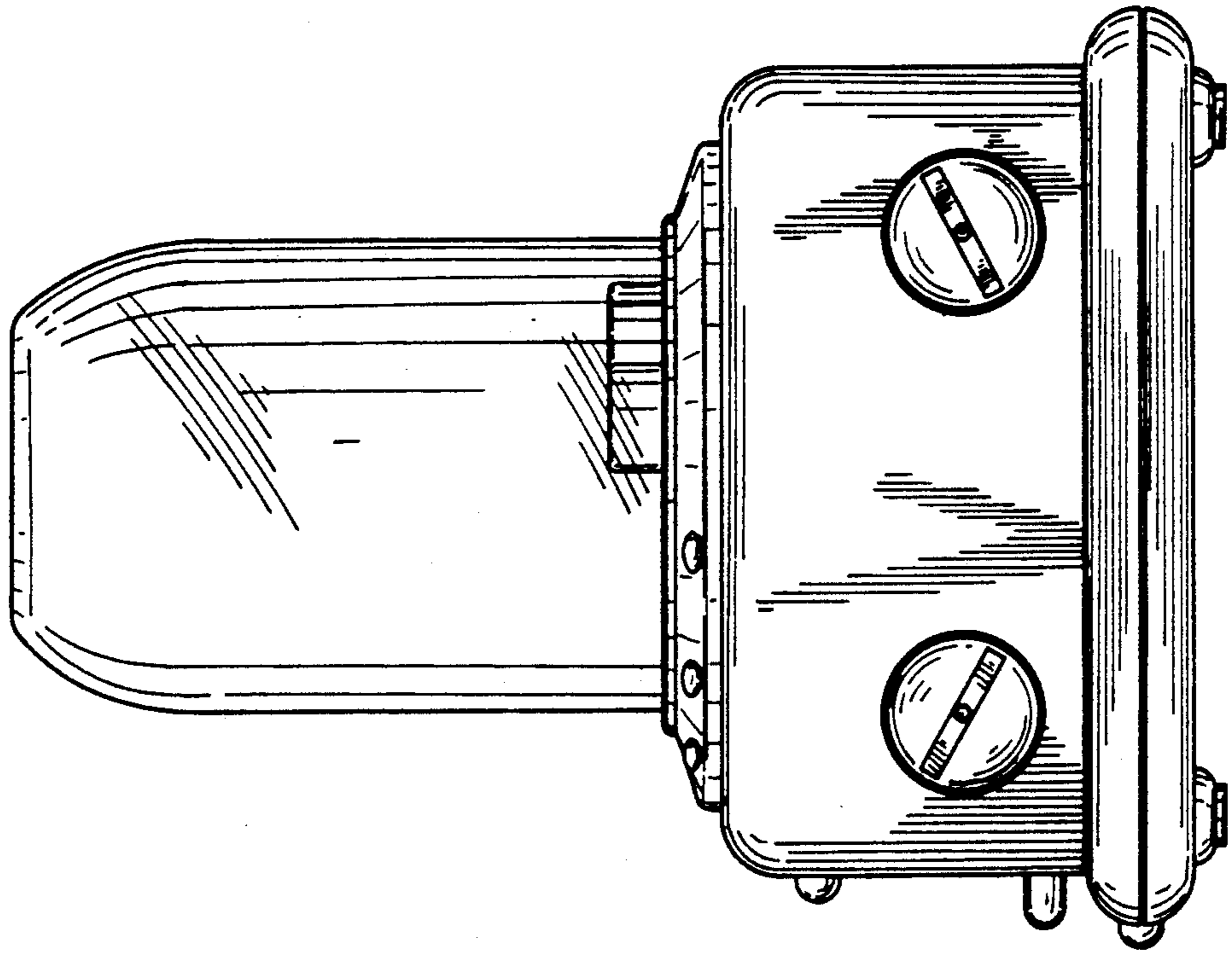


FIG. 6

