

[54] SHELF

[75] Inventors: Kenneth K. Kellems, Costa Mesa; William F. Ryczek, Azusa; Douglas R. Smith, Glendora, all of Calif.

[73] Assignee: The Stanley Works, New Britain, Conn.

[**] Term: 14 Years

[21] Appl. No.: 607,475

[22] Filed: Oct. 31, 1990

Related U.S. Application Data

[62] Division of Ser. No. 318,930, Mar. 2, 1989, Pat. No. Des. 314,682.

[52] U.S. Cl. D6/511; D6/574

[58] Field of Search D6/512, 553, 567, 574, D6/511; 108/33, 42, 48, 51.1, 56.1, 56.3, 59, 91; 211/134-135, 186

[56] References Cited

U.S. PATENT DOCUMENTS

- D. 205,520 8/1966 Magnuson et al. D6/572
- D. 218,161 7/1970 Kadison D6/572
- D. 242,408 11/1976 Enckler D6/574 X

- D. 291,165 8/1987 Ray D6/465
- 3,197,926 8/1965 Shumaker D6/477 X

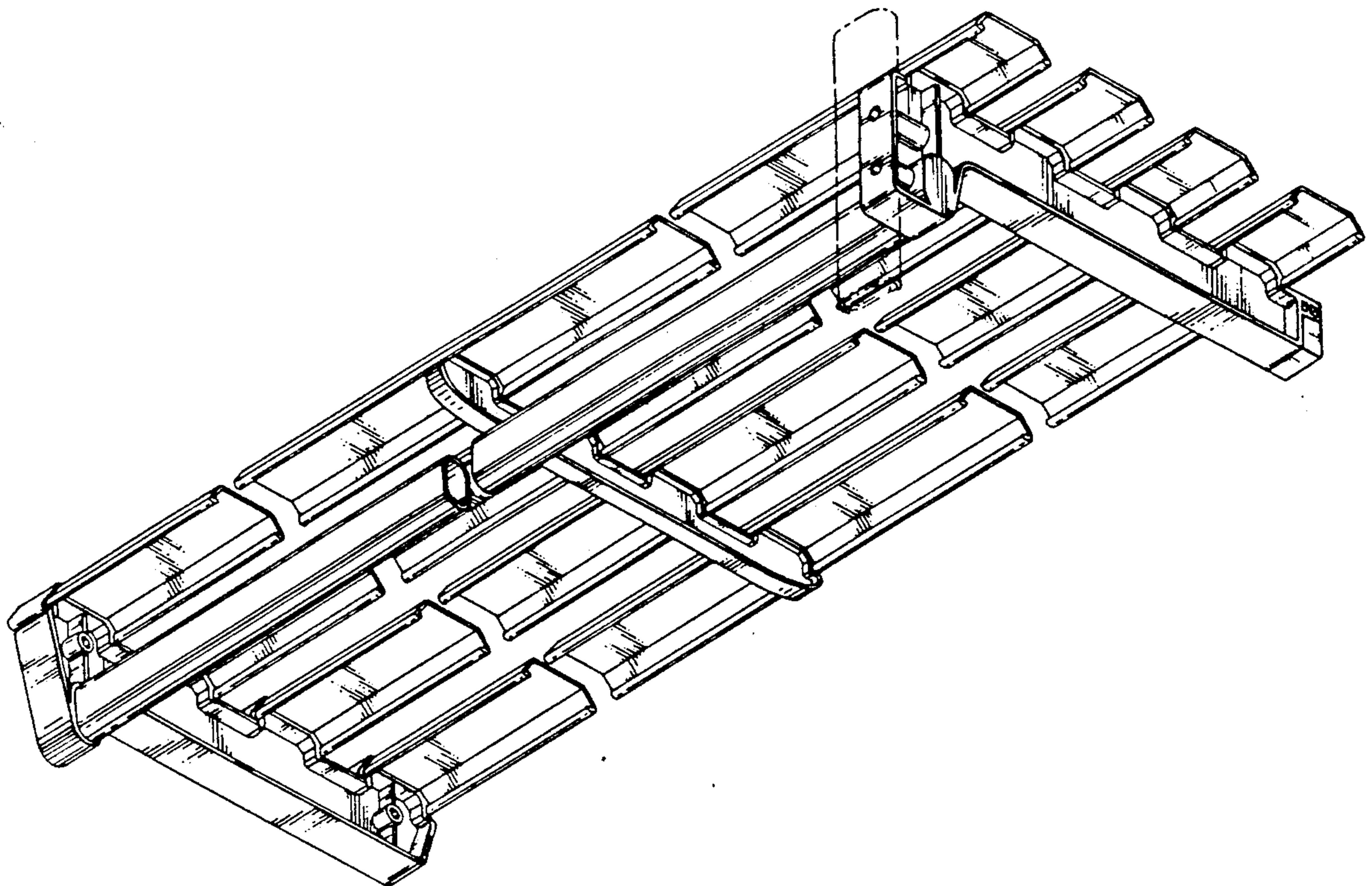
Primary Examiner—Wallace R. Burke
Assistant Examiner—Brian N. Vinson
Attorney, Agent, or Firm—Christie, Parker & Hale

[57] CLAIM

The ornamental design for a shelf, as shown and described.

DESCRIPTION

FIG. 1 is a front, bottom, and right side perspective view of a shelf showing our new design, the components being shown broken-away to indicate indeterminate length and the broken-line depiction of a fragment of a vertical support member being for illustrative purposes only and forming no part of the claimed design; FIG. 2 is an enlarged top plan view thereof; FIG. 3 is an enlarged right side elevational view thereof, the undisclosed left side being plain and unornamented; FIG. 4 is an enlarged vertical cross-sectional view thereof, taken in the direction of line 4—4 of FIG. 2; FIG. 5 is an enlarged vertical cross-sectional view thereof, taken in the direction of line 5—5 of FIG. 2; and FIG. 6 is an enlarged front elevational view thereof;



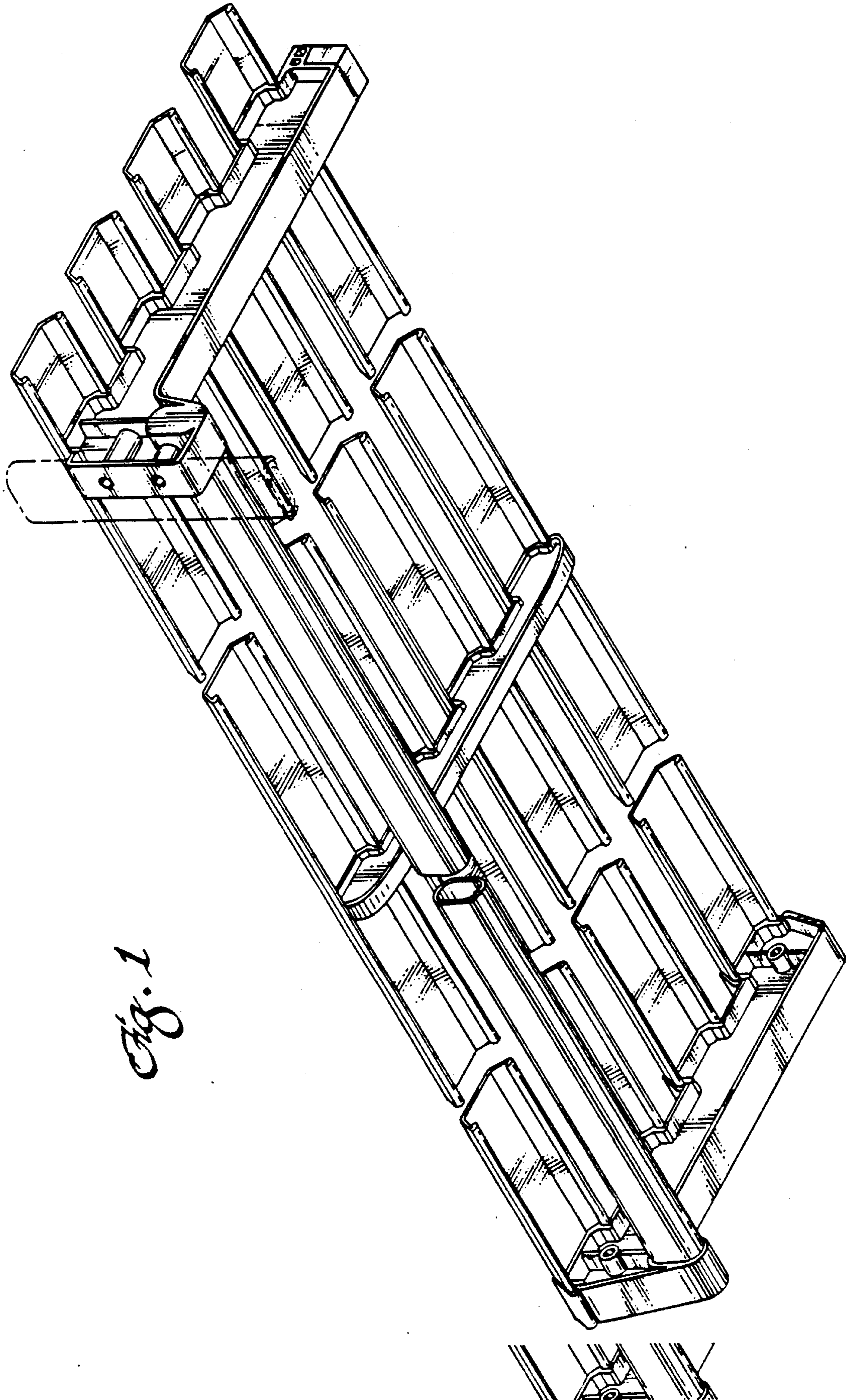


Fig. 1

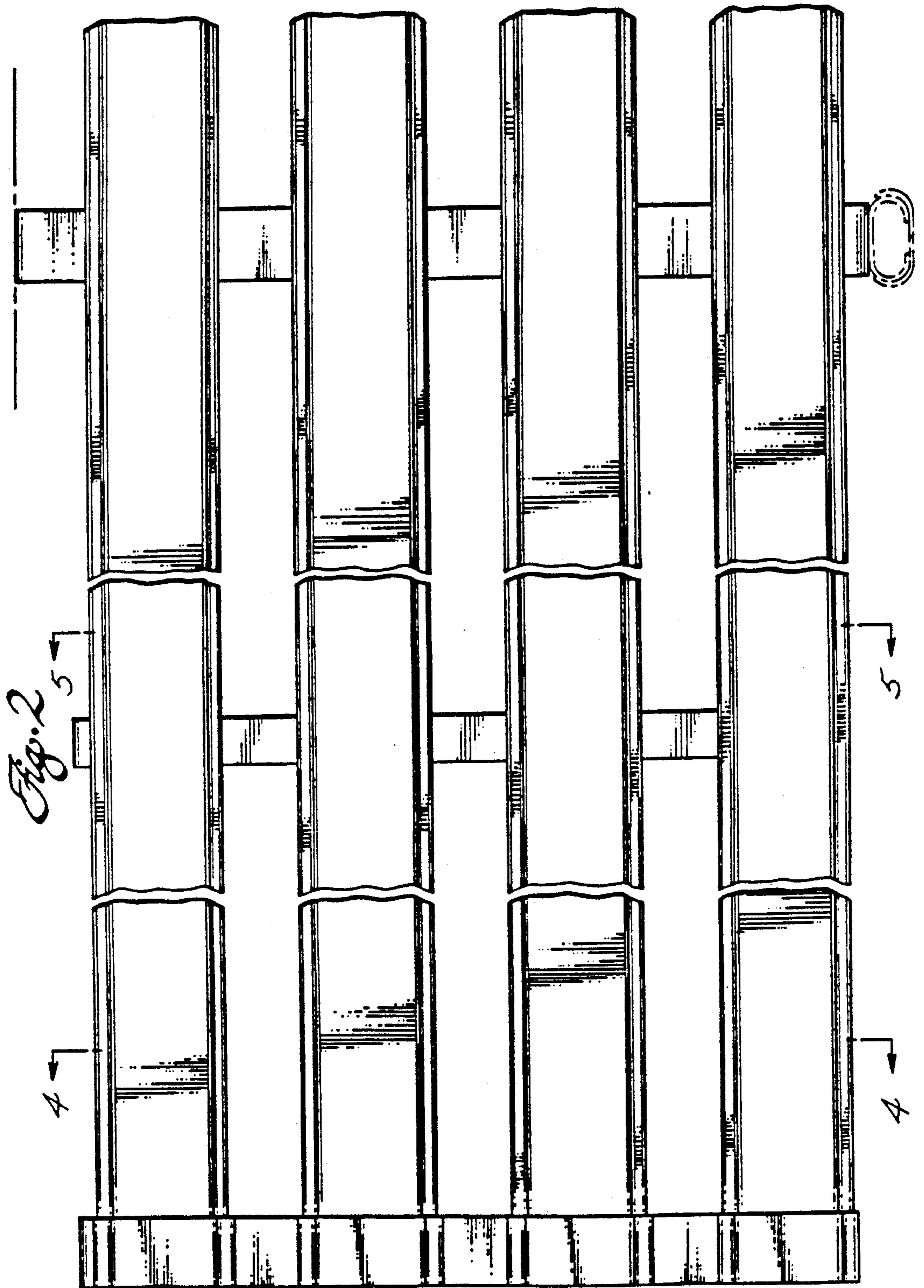


Fig. 2

Fig. 3

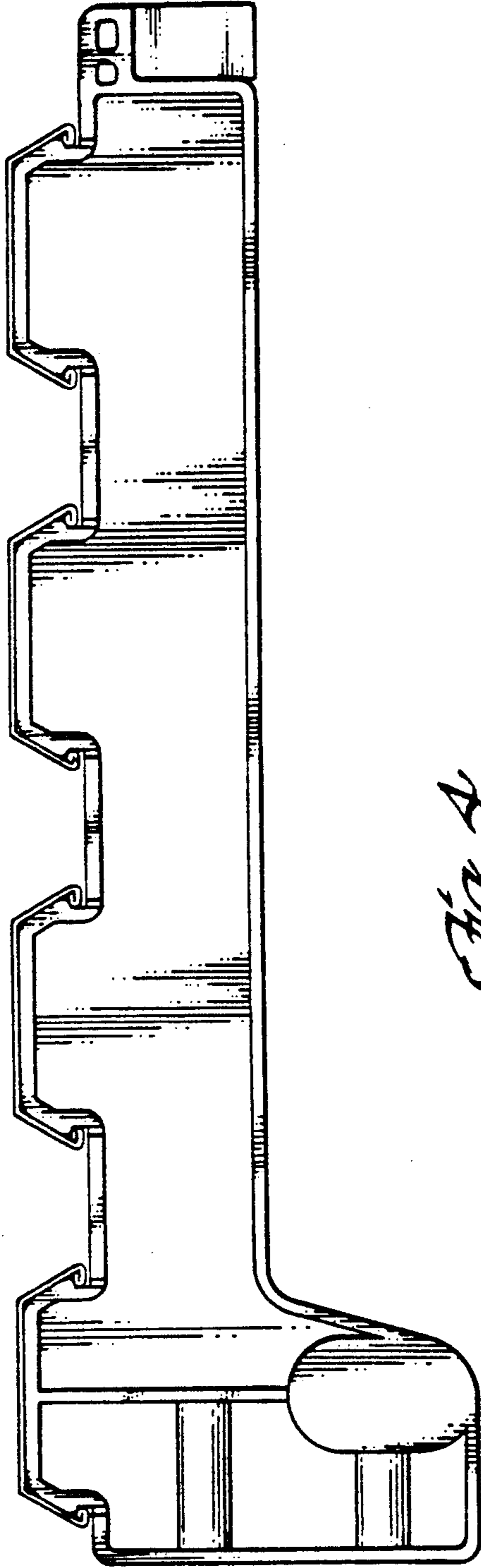


Fig. 4

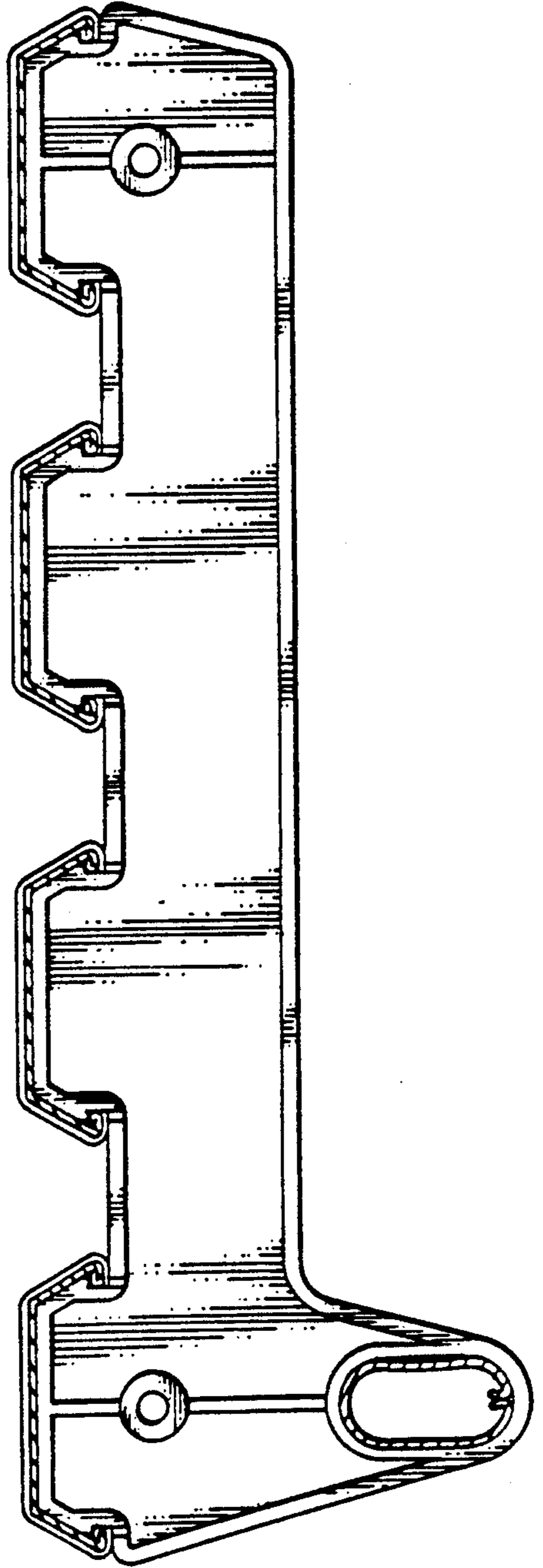


Fig. 5

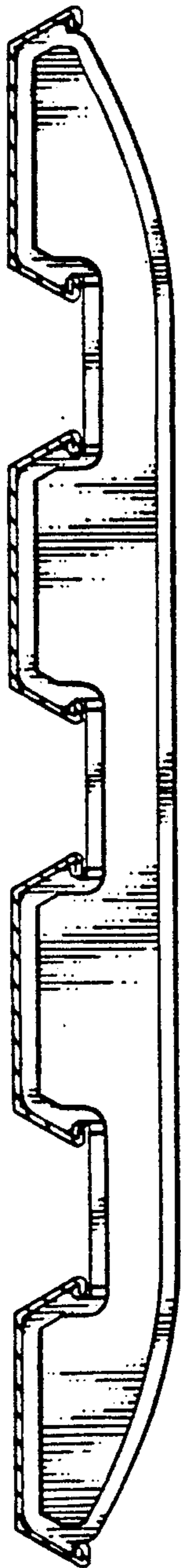


Fig. 6

