

[54] COMPUTER DISKETTE HOLDER

[76] Inventor: Eugene A. Turley, 756 Burnside Ave., Apt. A4, East Hartford, Conn. 06108

[**] Term: 14 Years

[21] Appl. No.: 269,976

[22] Filed: Nov. 10, 1988

[52] U.S. Cl. D6/407

[58] Field of Search D6/407, 473, 476; D19/90, 75; 206/387, 305; 211/40, 41, 13, 42; D3/35

D. 301,490 6/1989 Horowitz D19/90
D. 306,040 2/1990 Evenson D19/90

Primary Examiner—Carmen H. Vales-Lado
Attorney, Agent, or Firm—McCormick, Paulding & Huber

[57] CLAIM

The ornamental design for a computer diskette holder, as shown and described.

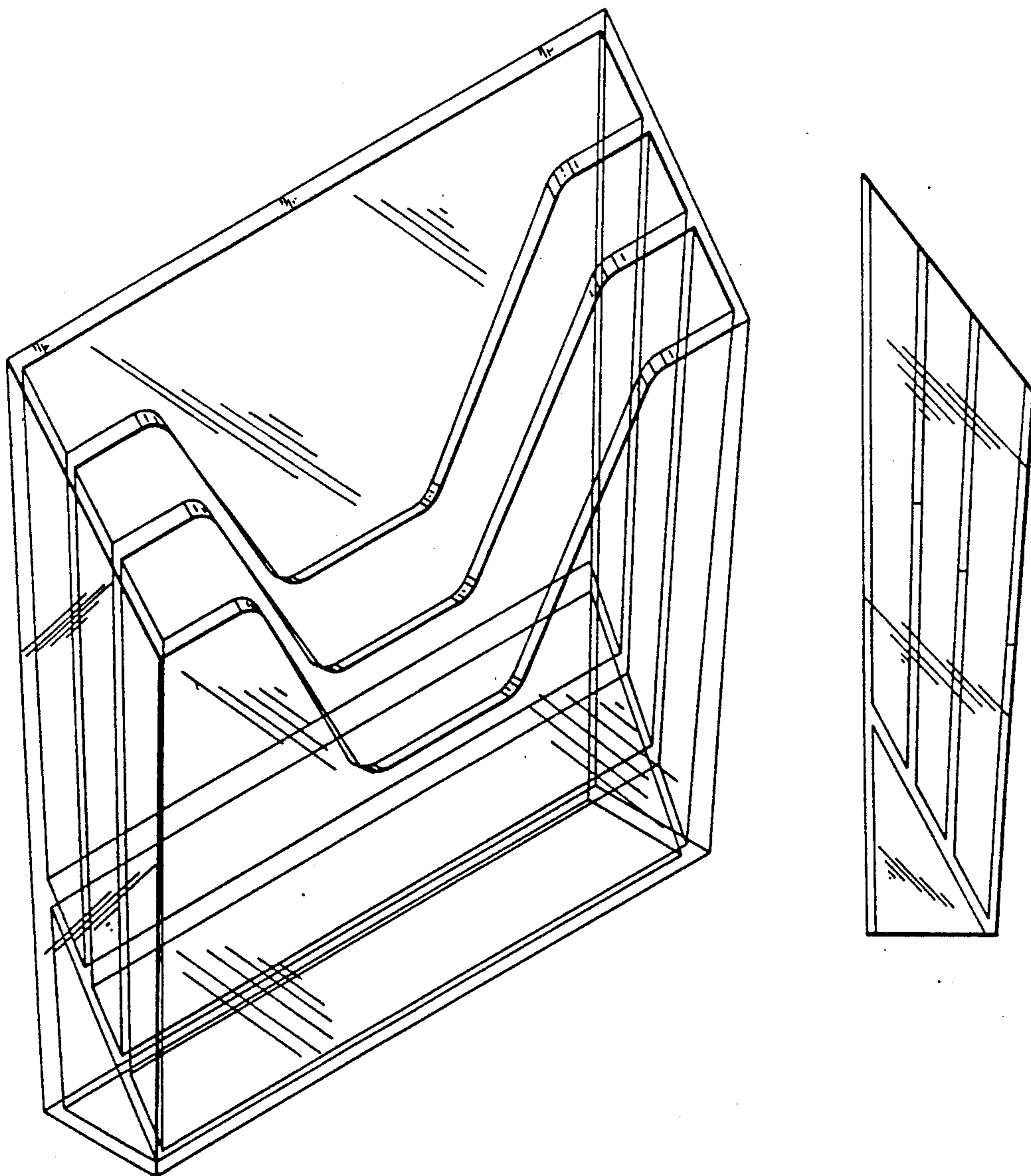
DESCRIPTION

FIG. 1 is a perspective view of a computer diskette holder showing my new design; FIG. 2 is a front elevational view thereof; FIG. 3 is a rear elevational view thereof; FIG. 4 is a left side elevational view, the right side being a mirror image thereof; FIG. 5 is a top plan view; and FIG. 6 is a bottom plan view.

[56] References Cited

U.S. PATENT DOCUMENTS

- D. 162,597 3/1951 Turner D6/476 X
- D. 250,960 1/1979 Bitner, Jr. et al. D19/90
- D. 276,777 12/1984 Evenson D6/473
- D. 296,162 6/1988 Allen, Jr. et al. D19/90 X



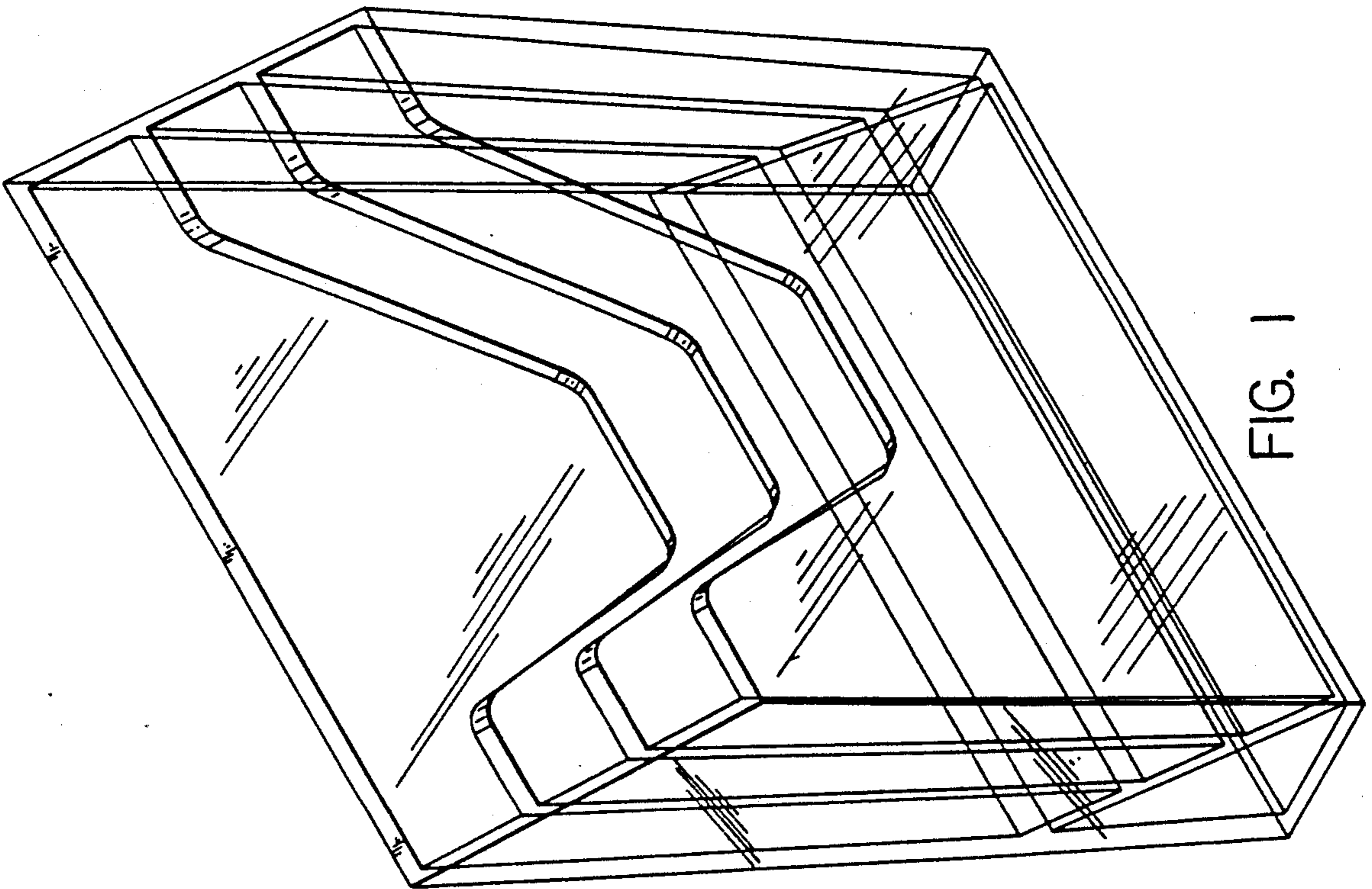


FIG. 1

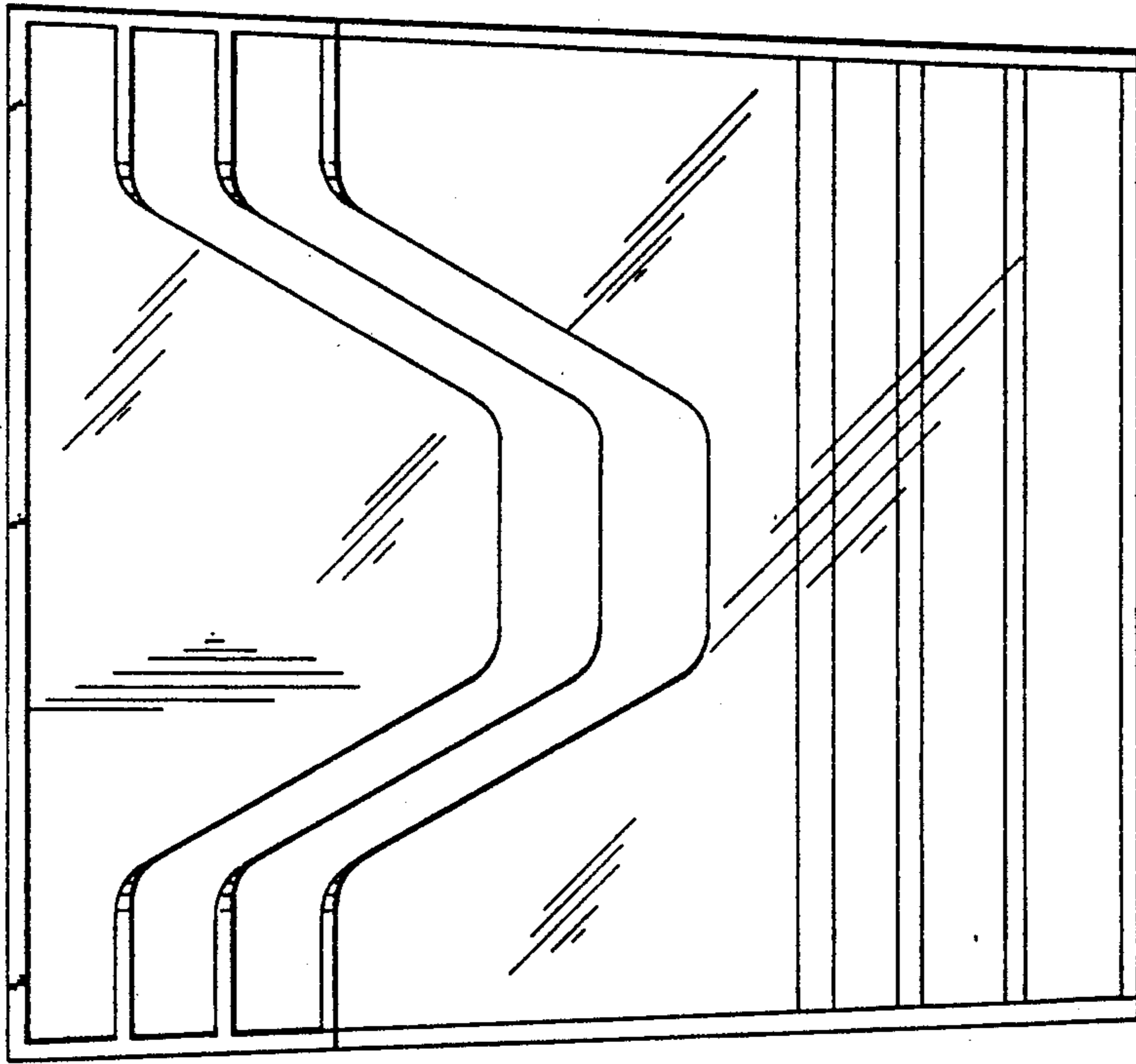


FIG. 2

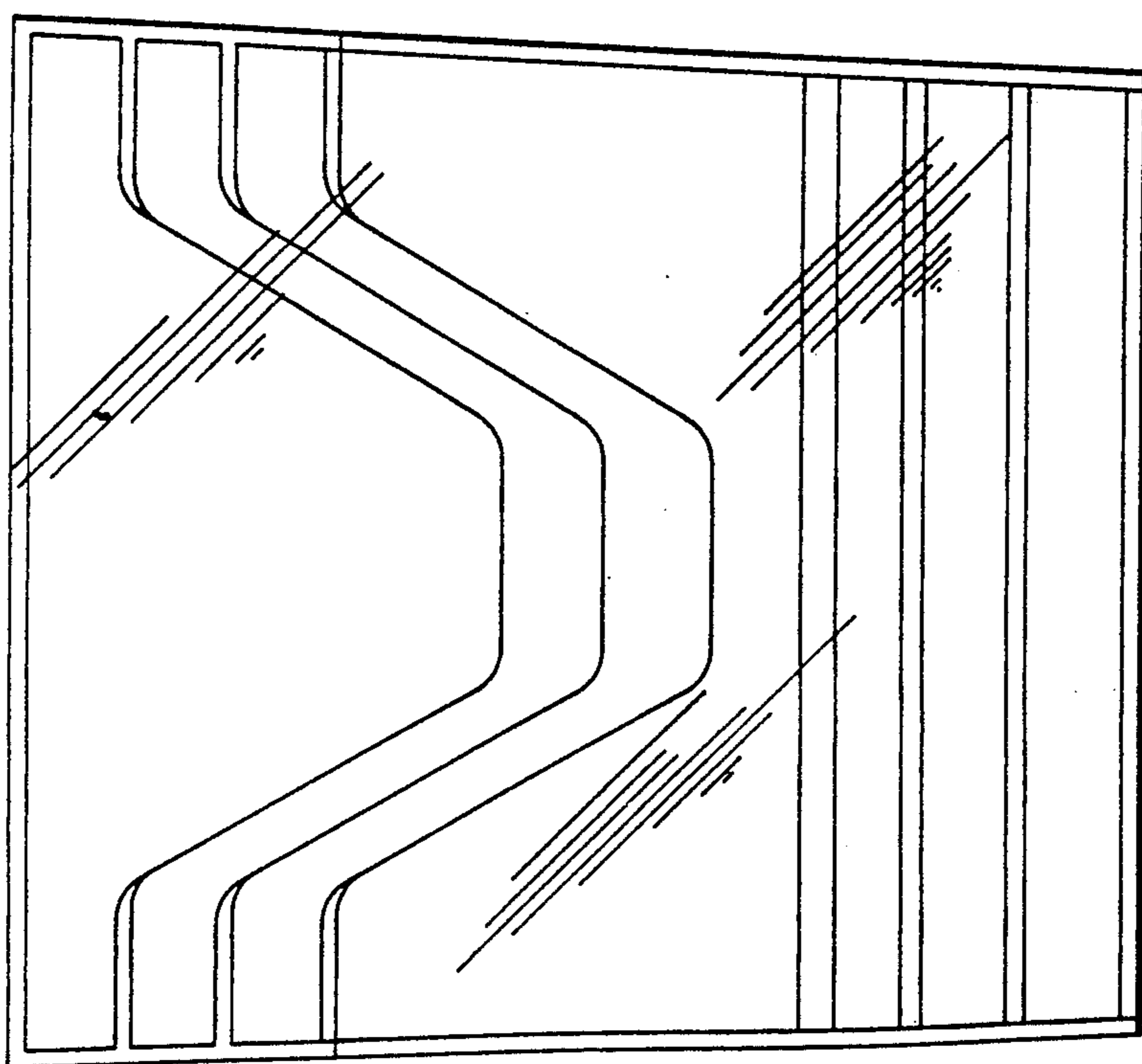


FIG. 3

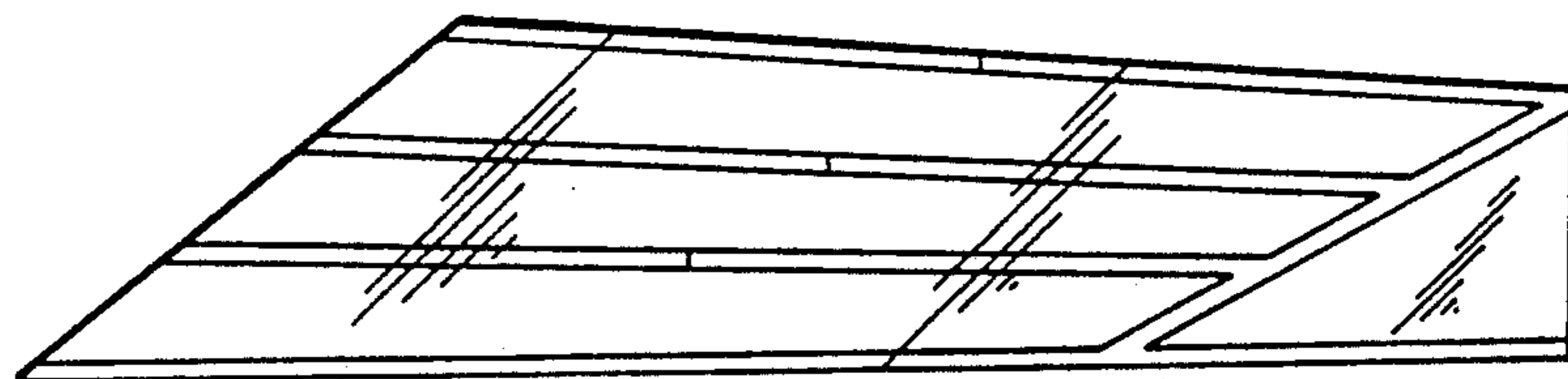


FIG. 4

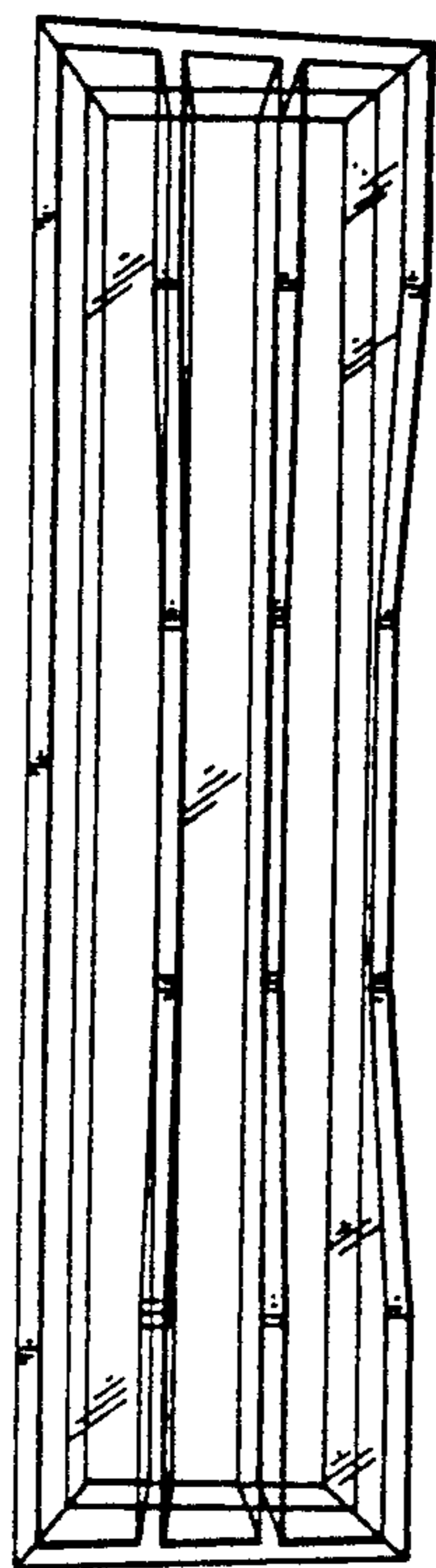


FIG. 5

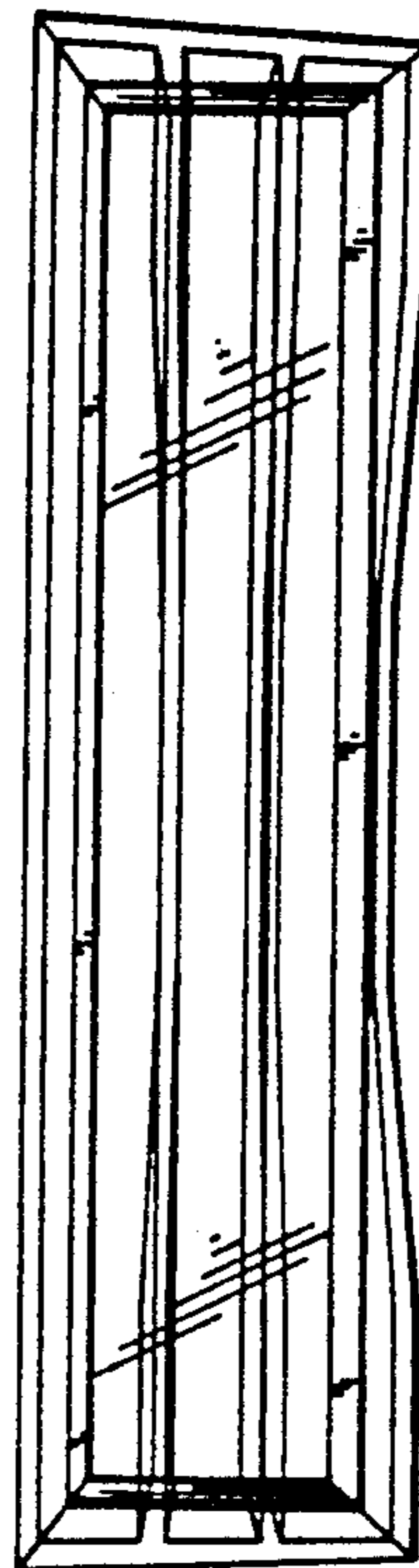


FIG. 6