

[54] ADJUSTABLE BED TRAY

[75] Inventor: Giorgetto Giugiaro, Turin, Italy

[73] Assignee: Fratelli Guzzini S.p.A., Recanati, Italy

[**] Term: 14 Years

[21] Appl. No.: 297,746

[22] Filed: Jan. 17, 1989

[30] Foreign Application Priority Data

Aug. 18, 1988 [IT] Italy 21751/88[U]

[52] U.S. Cl. D6/406

[58] Field of Search D6/406, 419, 420, 338, D6/510, 511; D7/550, 552-554, 698, 699; D3/39, 40; 108/43

[56] References Cited

U.S. PATENT DOCUMENTS

- D. 132,893 6/1942 Corbett D6/406
- D. 135,507 4/1943 Hillenbrand D6/406

- D. 281,555 12/1985 Levy D6/406
- D. 282,218 1/1986 Catelli D6/406 X
- D. 293,634 1/1988 Rattner D6/406 X

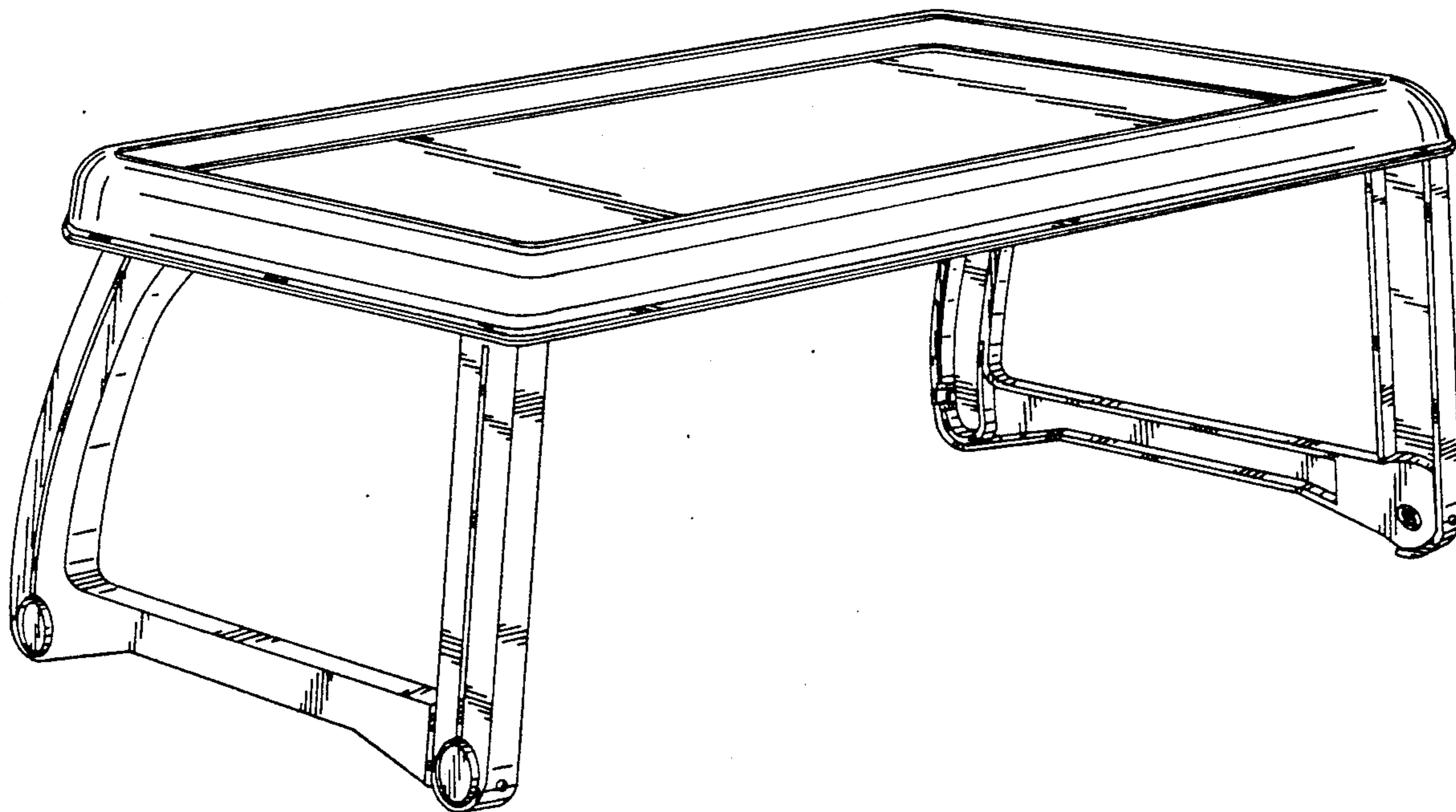
Primary Examiner—Bruce W. Dunkins
Assistant Examiner—Janice E. Seeger
Attorney, Agent, or Firm—Hedman, Gibson, Costigan & Hoare

[57] CLAIM

The ornamental design for an adjustable bed tray, as shown and described.

DESCRIPTION

FIG. 1 is a perspective view of an adjustable bed tray, showing my new design;
FIG. 2 is a perspective view in elevated position;
FIG. 3 is a top plan view on an enlarged scale;
FIG. 4 is a bottom plan view on an enlarged scale;
FIG. 5 is a left side elevational view on an enlarged scale, the opposite side being a mirror image thereof;
FIG. 6 is a front elevational view on an enlarged scale; and
FIG. 7 is a rear elevational view on an enlarged scale.



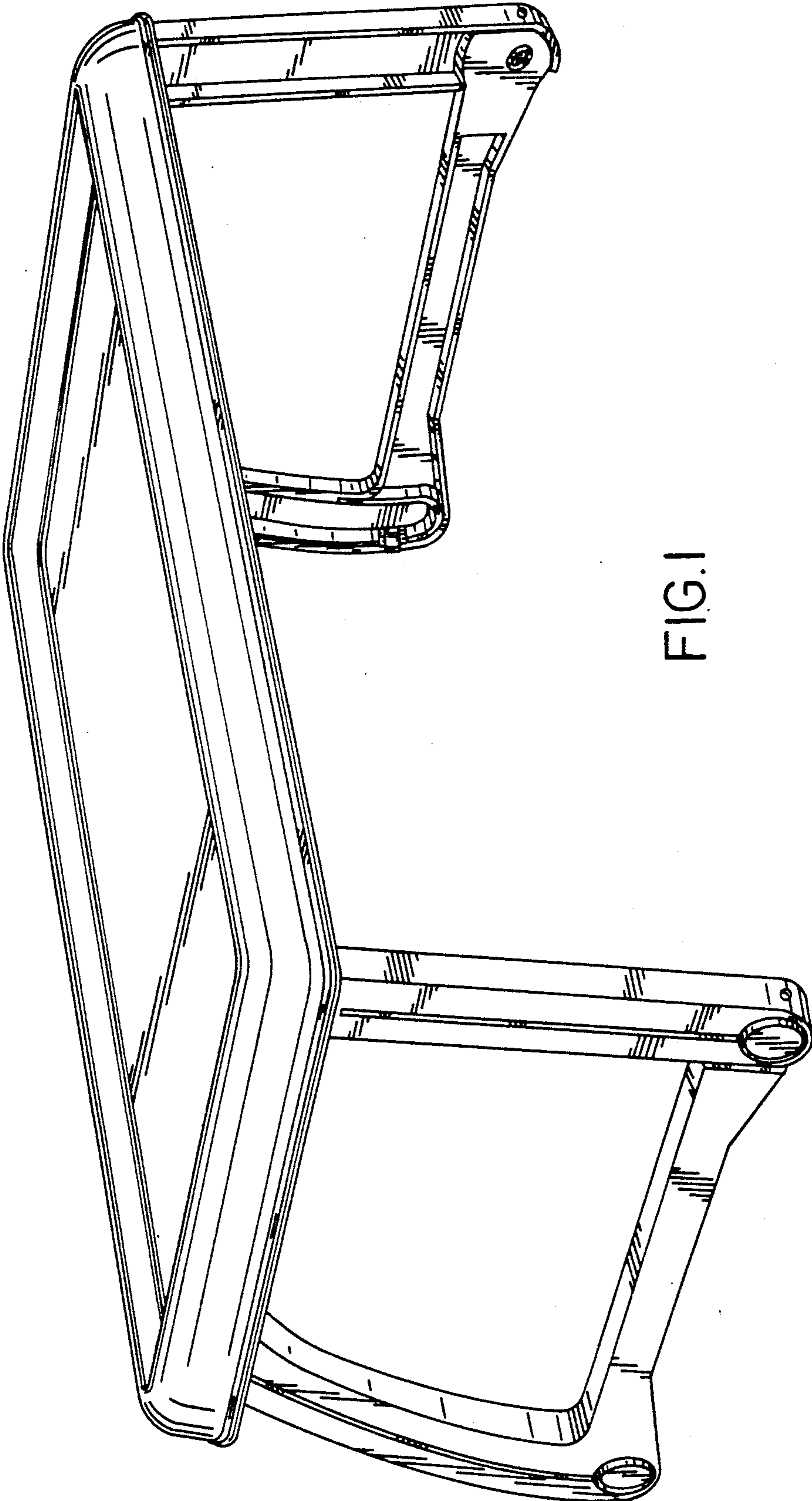


FIG.1

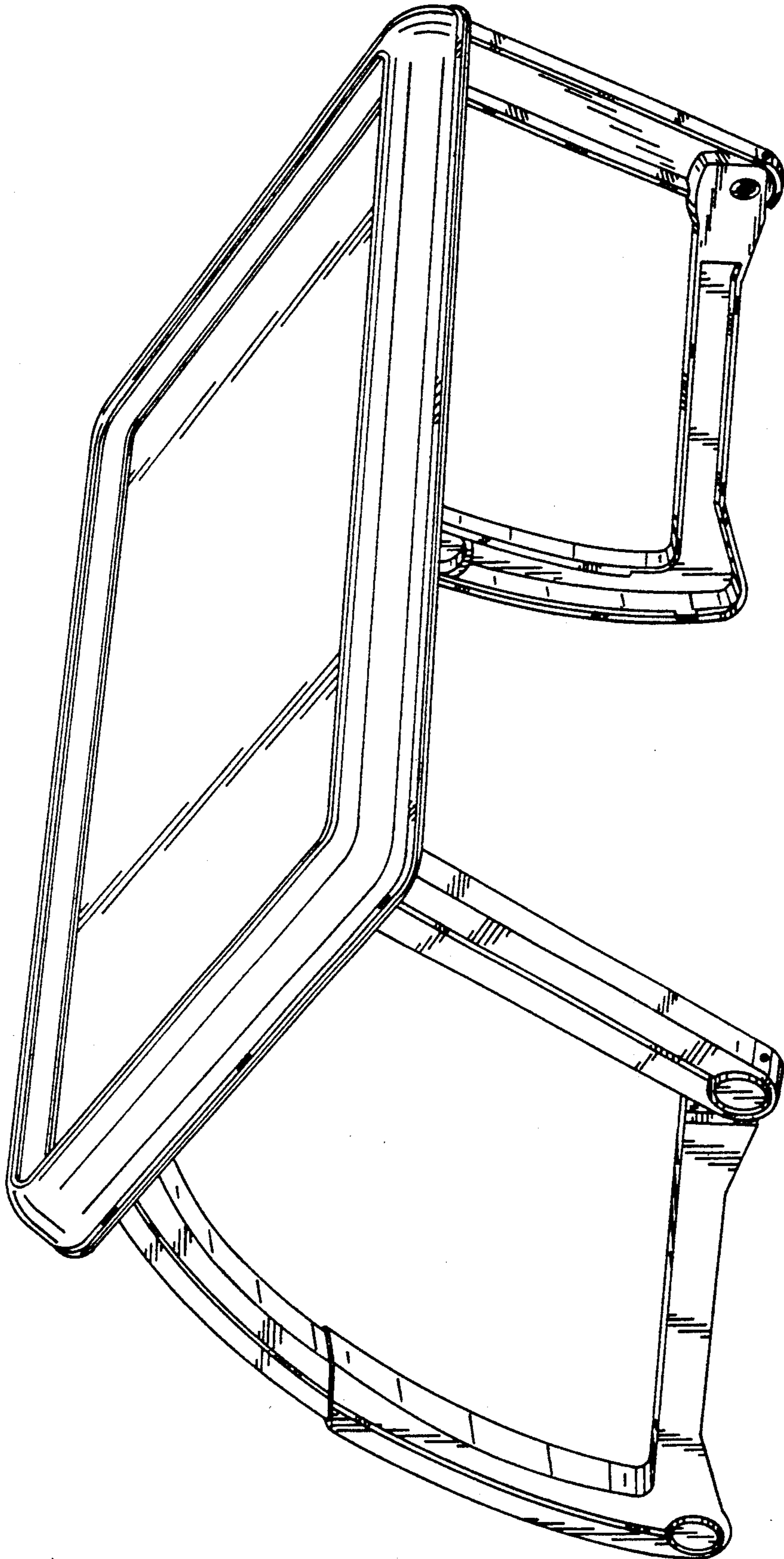


FIG.2

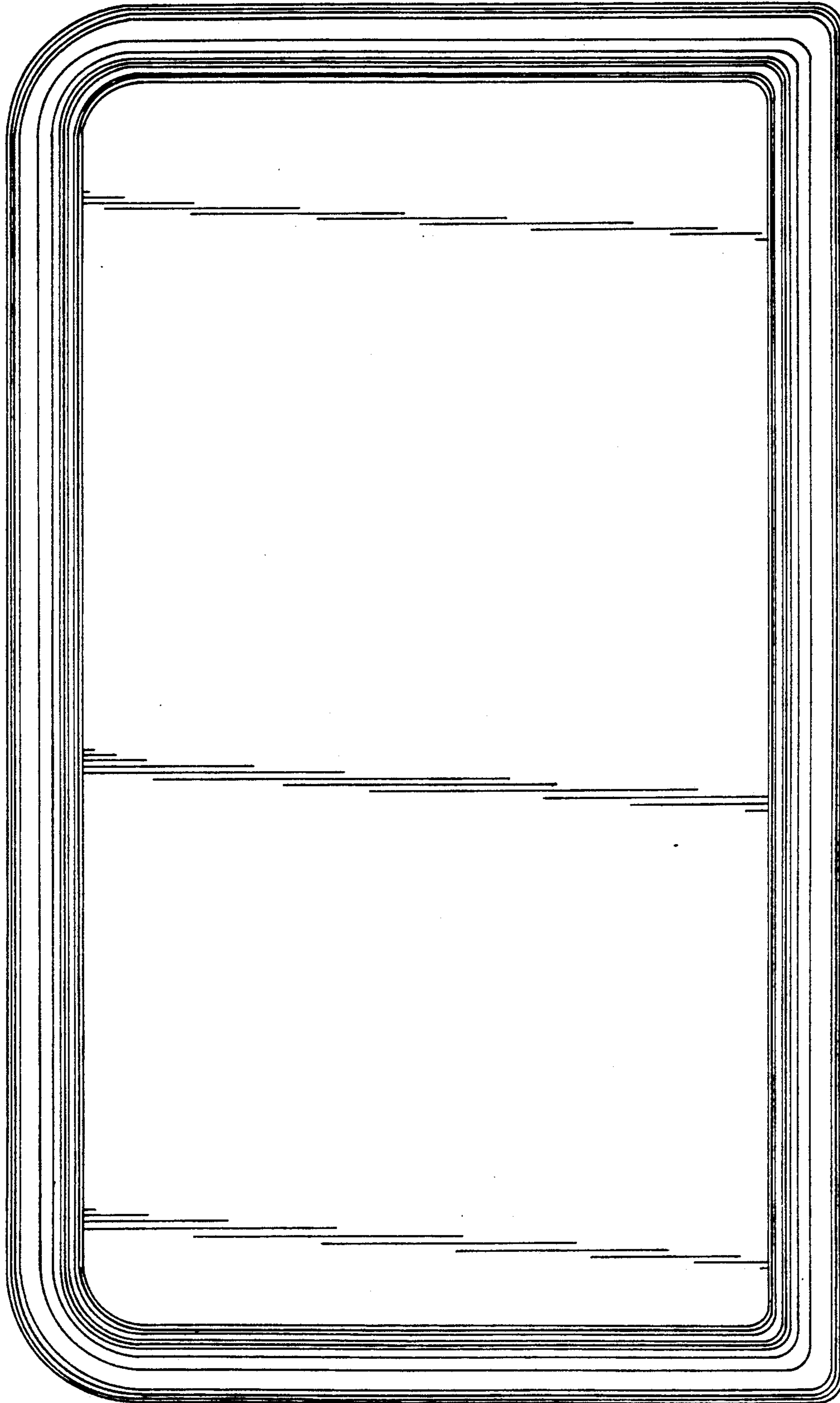


FIG.3

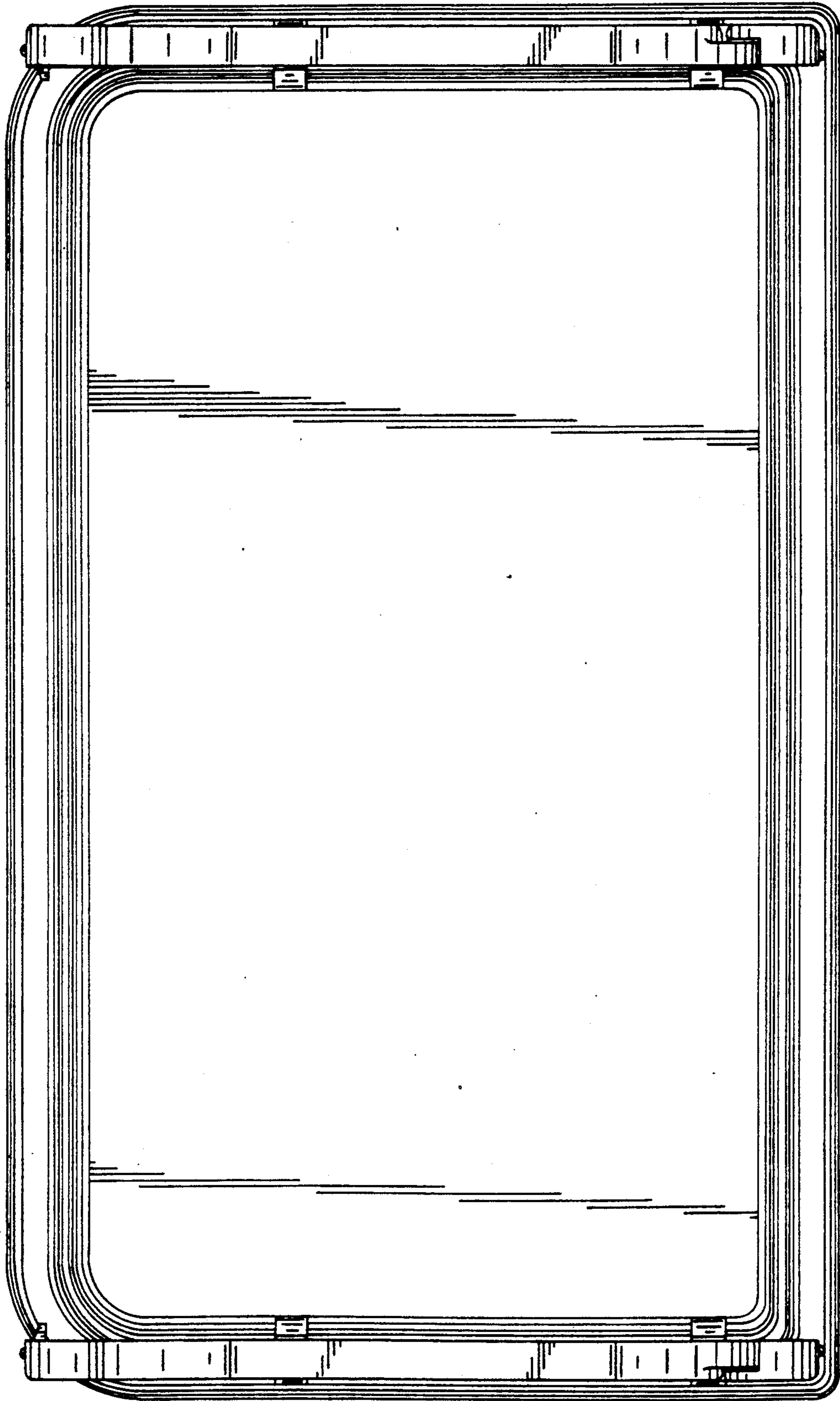


FIG.4

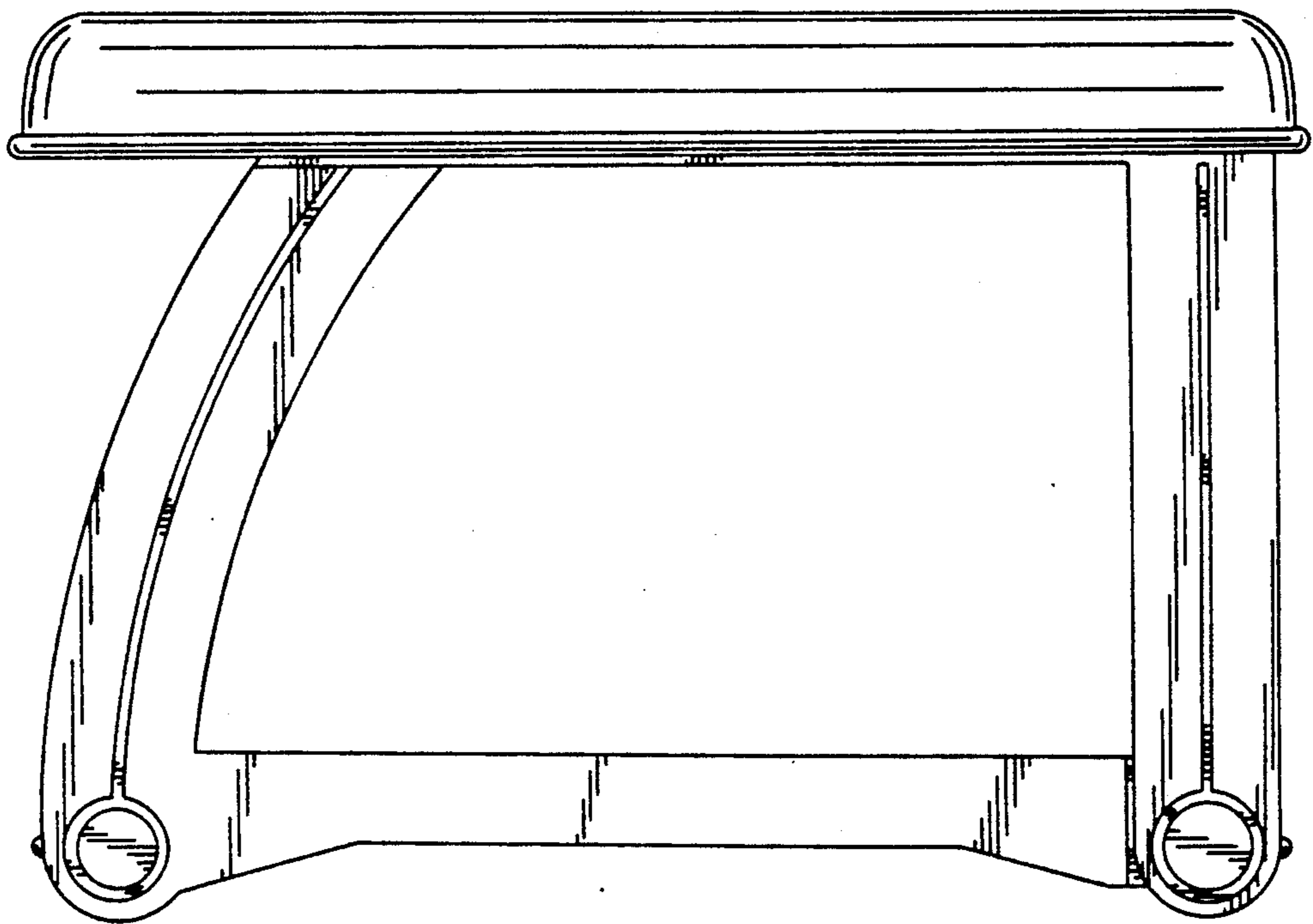


FIG.5

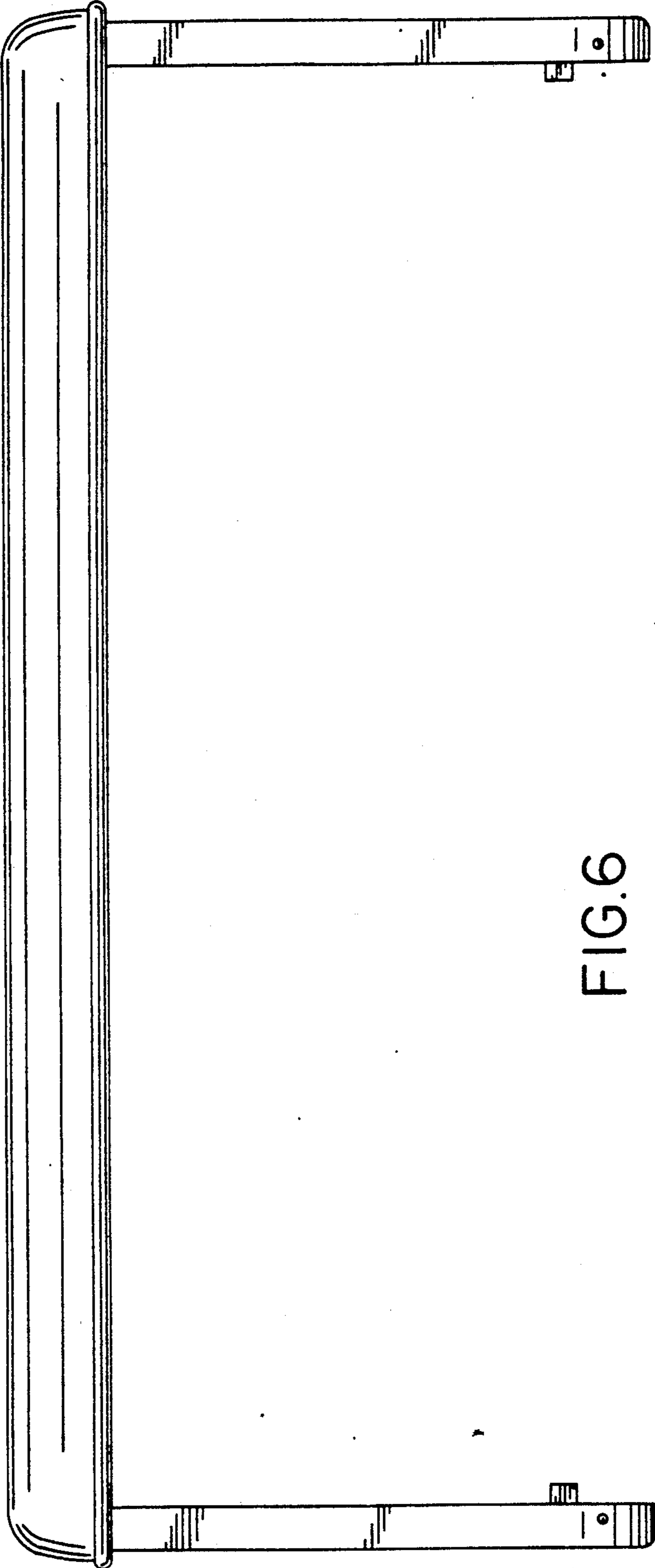


FIG.6

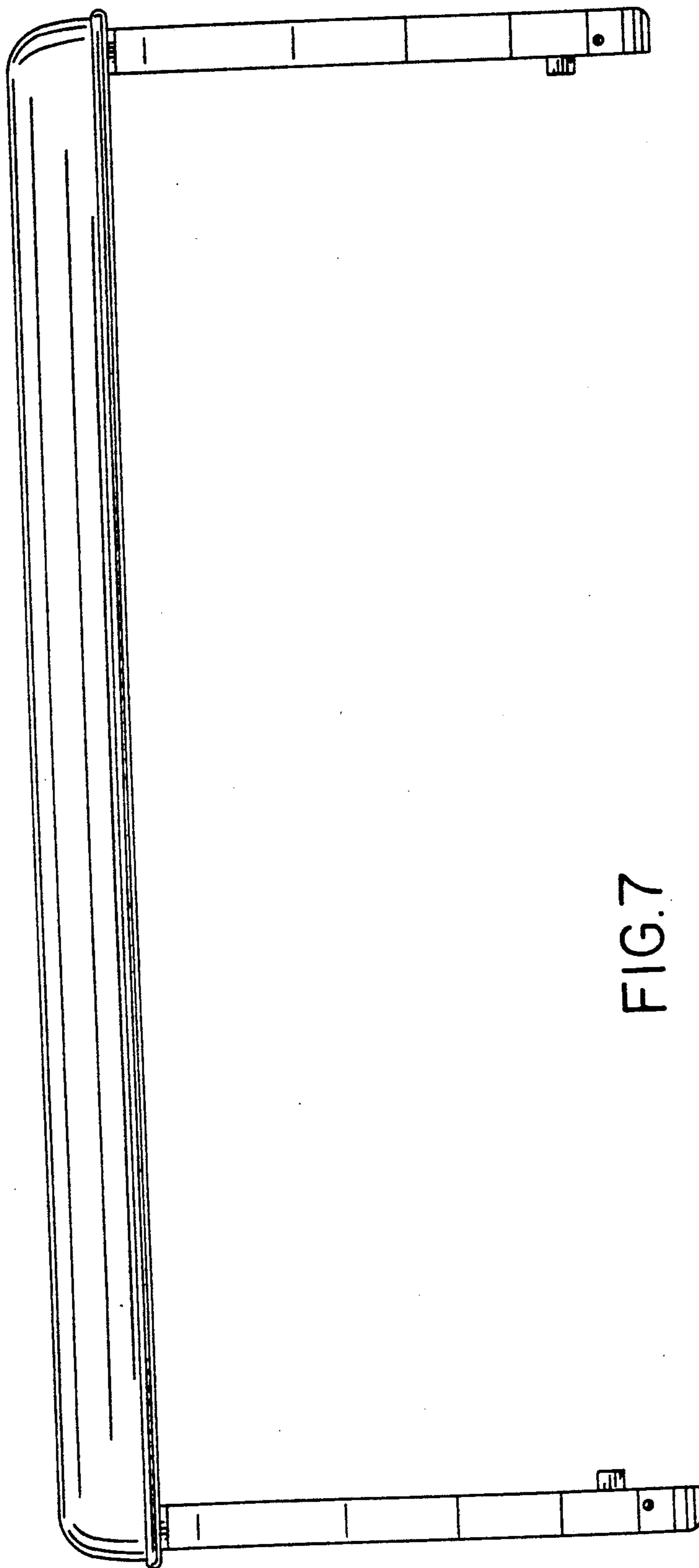


FIG. 7