

[54] VEHICLE STEERING WHEEL TABLE

[75] Inventor: William O. Horne, Whittier, Calif.

[73] Assignee: Auto Table (Partnership), Orange, Calif.

[**] Term: 14 Years

[21] Appl. No.: 197,755

[22] Filed: May 23, 1988

[52] U.S. Cl. D6/406; D6/420; D7/550; D3/40

[58] Field of Search D3/40, 30.1, 72, 73, D3/99, 39; D2/317; D12/155, 156; D14/253, 149; D7/553, 550, 554, 545; D6/406, 511, 338, 339; 224/273, 276, 275, 277, 42.42, 42.45 R, 42.37, 42.11; 40/904; 296/37.1, 37.8, 70; 211/88, 71, 74, 69.5, 40; 108/12, 43, 44, 45, 46; 220/427; 312/231, 233

[56] References Cited

U.S. PATENT DOCUMENTS

D. 59,308 10/1921 Viall D2/317
D. 257,589 12/1980 Shaffert D12/177 X

D. 292,445 10/1987 Judge D3/40
D. 298,884 12/1988 Rychcock D3/40
1,977,507 10/1934 Edwards 224/277 X
4,139,217 2/1979 Jamison 224/276 X

FOREIGN PATENT DOCUMENTS

250192 of 1966 Austria 108/44

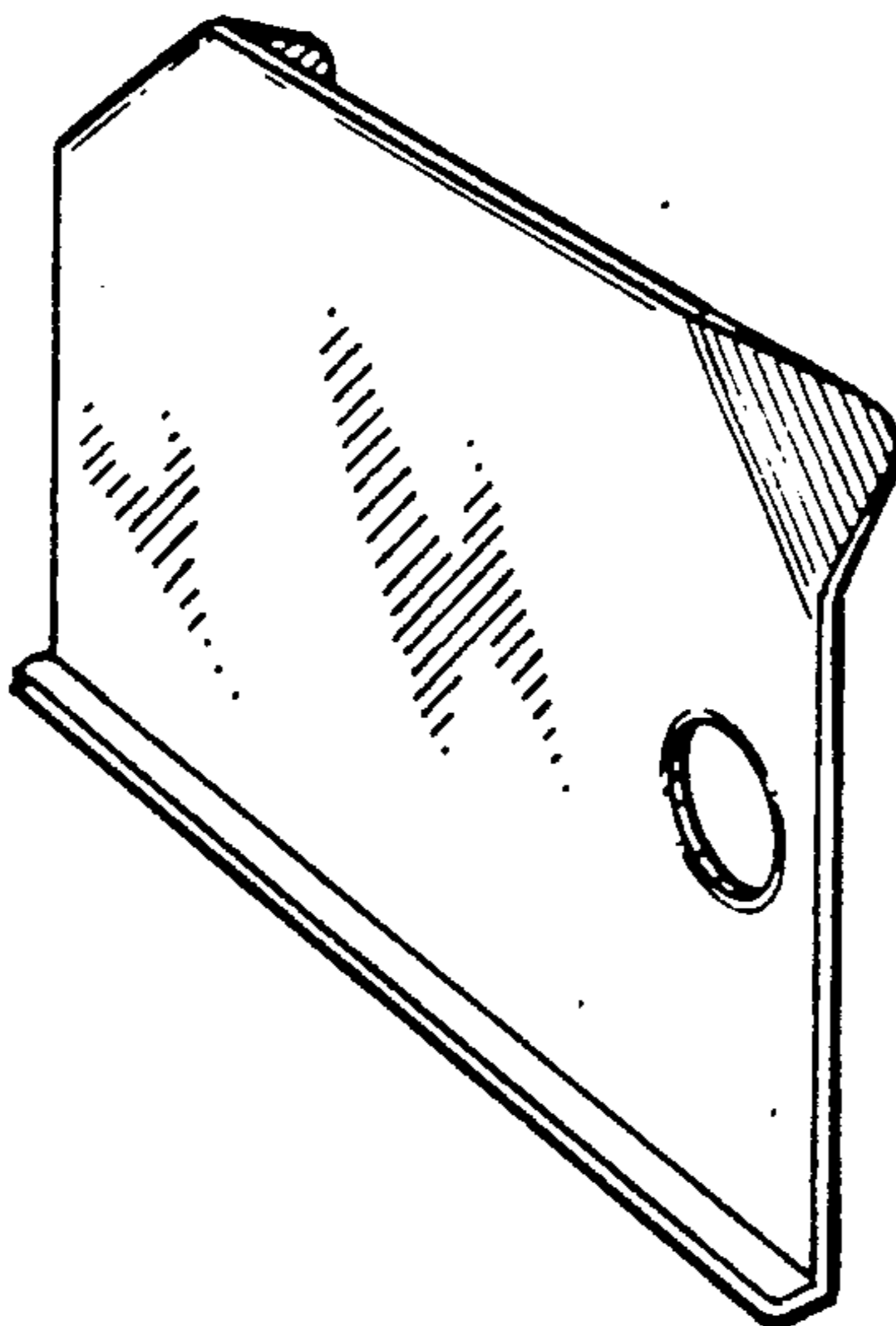
Primary Examiner—Louis S. Zarfes
Assistant Examiner—M. N. Pandozzi
Attorney, Agent, or Firm—G. Donald Weber, Jr.

[57] CLAIM

The ornamental design for a vehicle steering wheel table, as shown and described.

DESCRIPTION

FIG. 1 is a perspective view of a vehicle steering wheel table showing my new design;
FIG. 2 is a top plan view thereof;
FIG. 3 is a front elevational view thereof;
FIG. 4 is a left side elevational view the right side is a mirror image thereof;
FIG. 5 is a bottom plan view thereof;
FIG. 6 is a rear elevational view thereof;



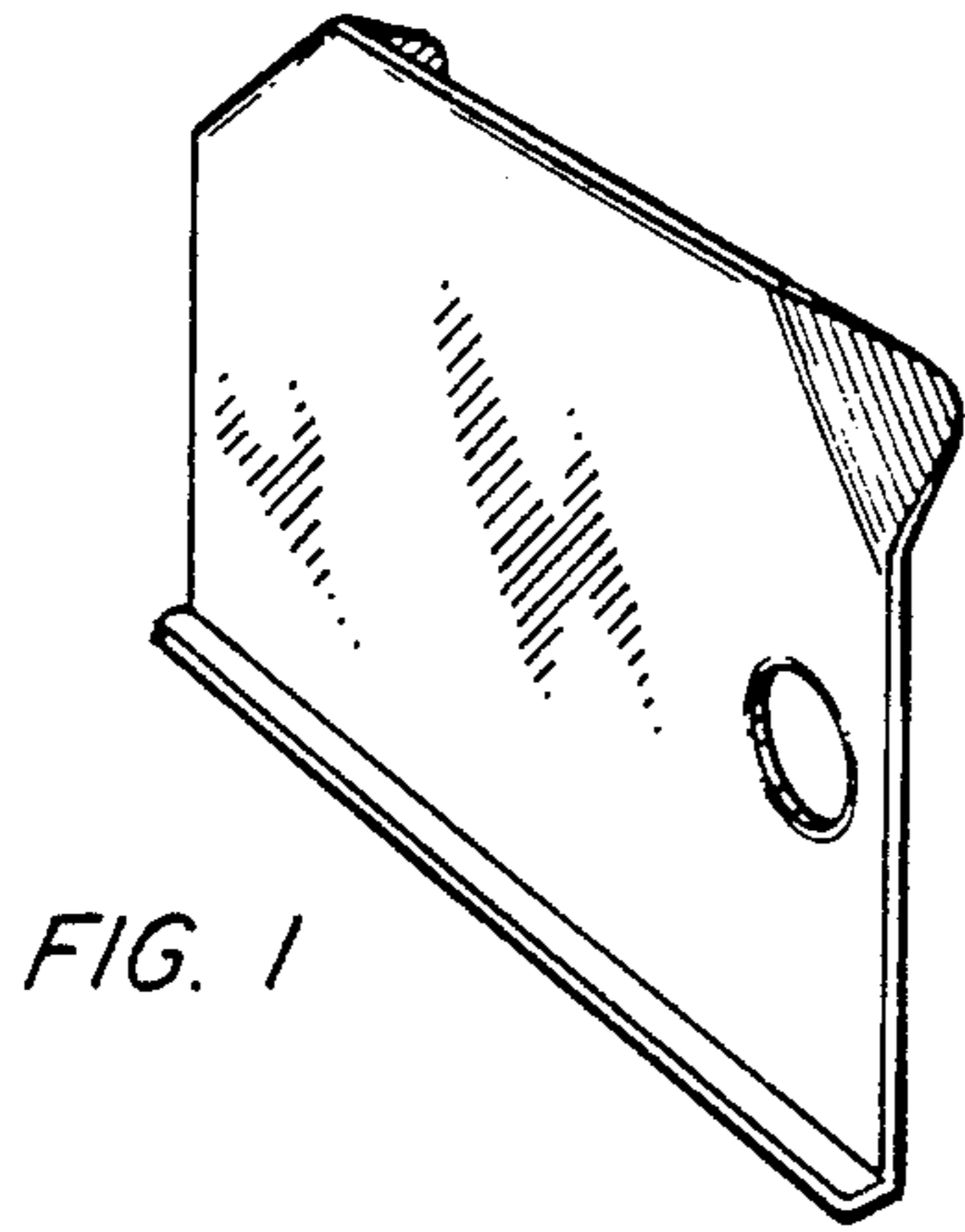


FIG. 1

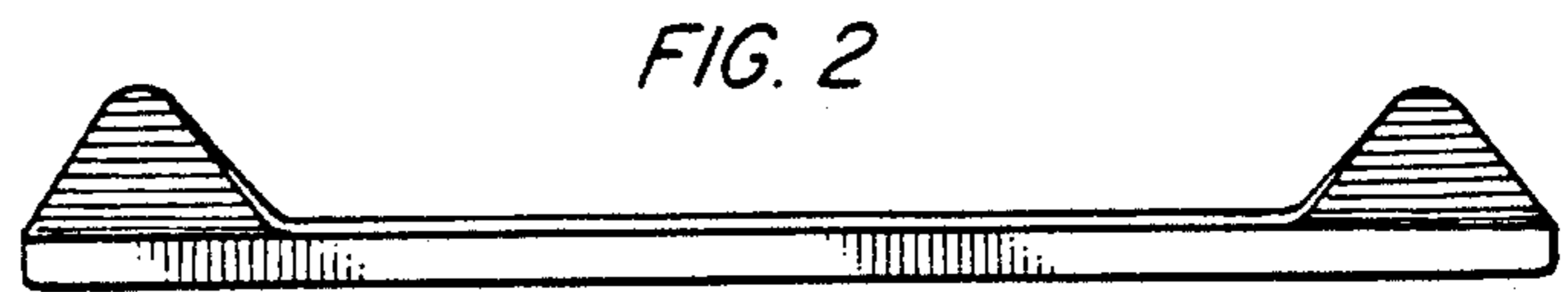


FIG. 2

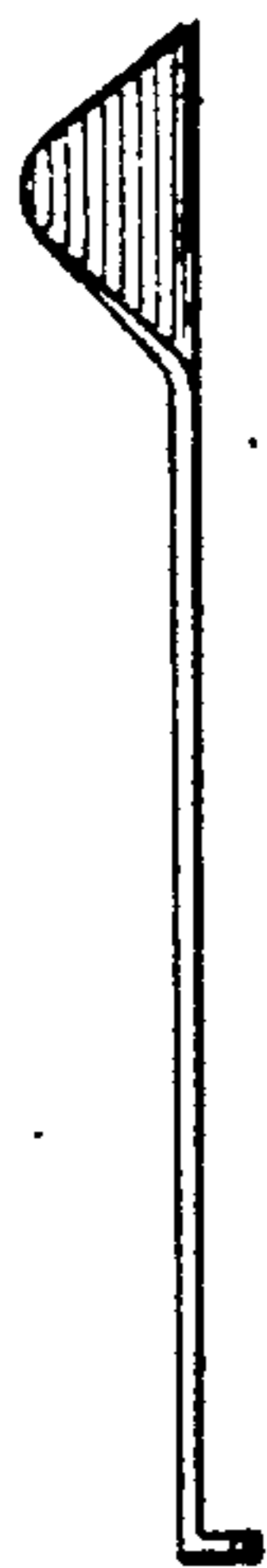


FIG. 4

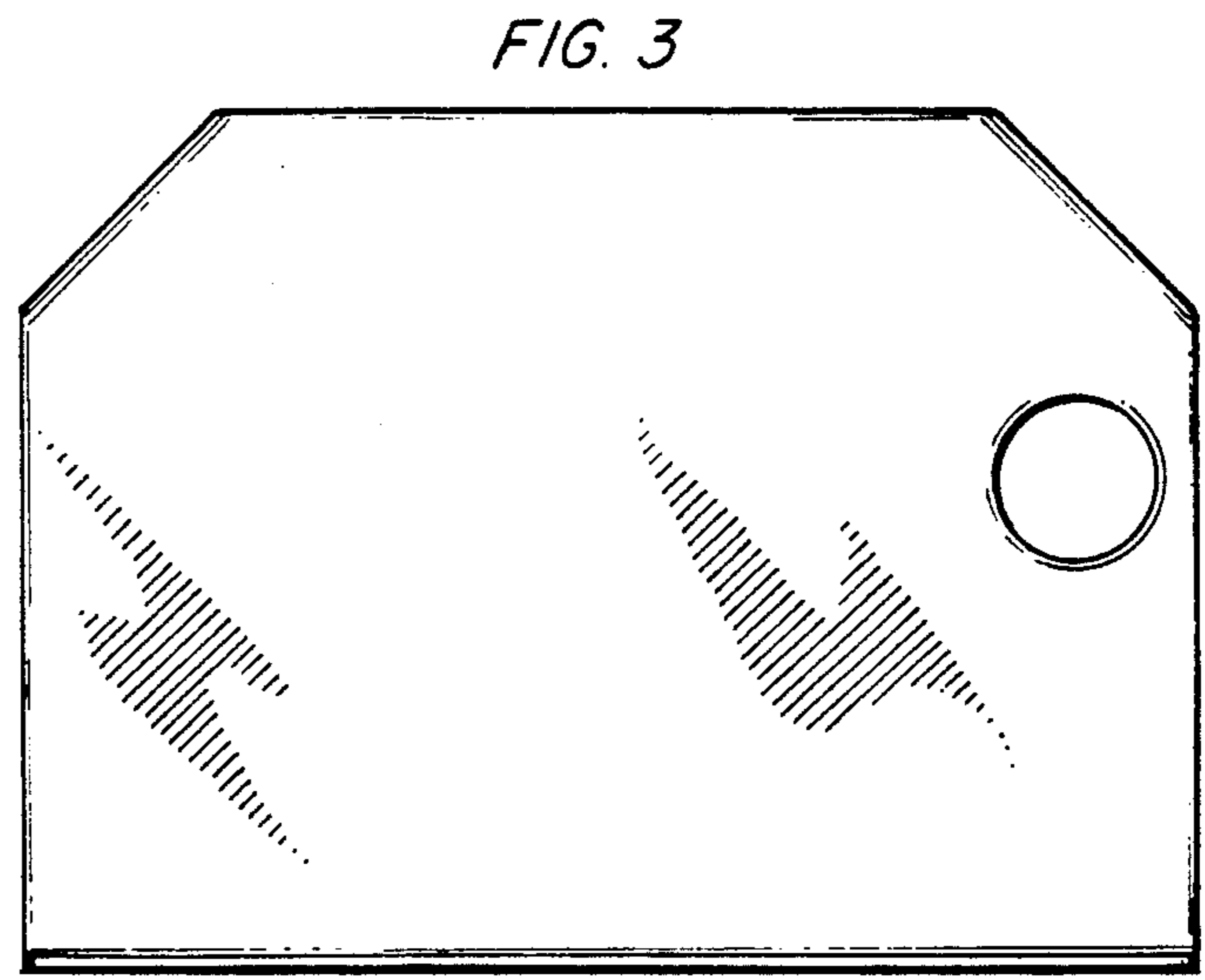


FIG. 3

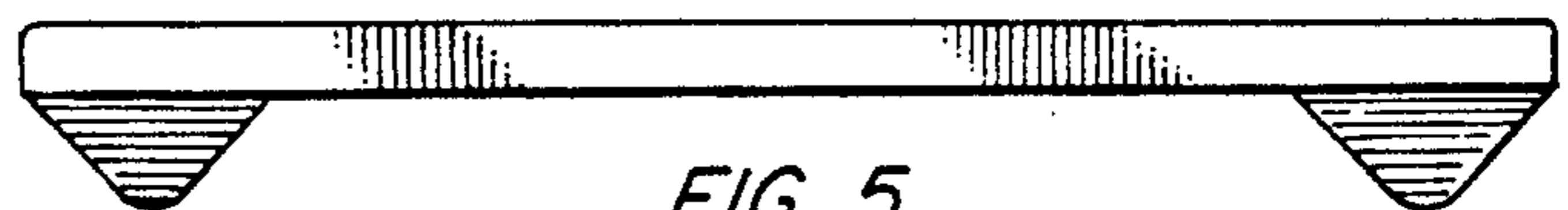


FIG. 5

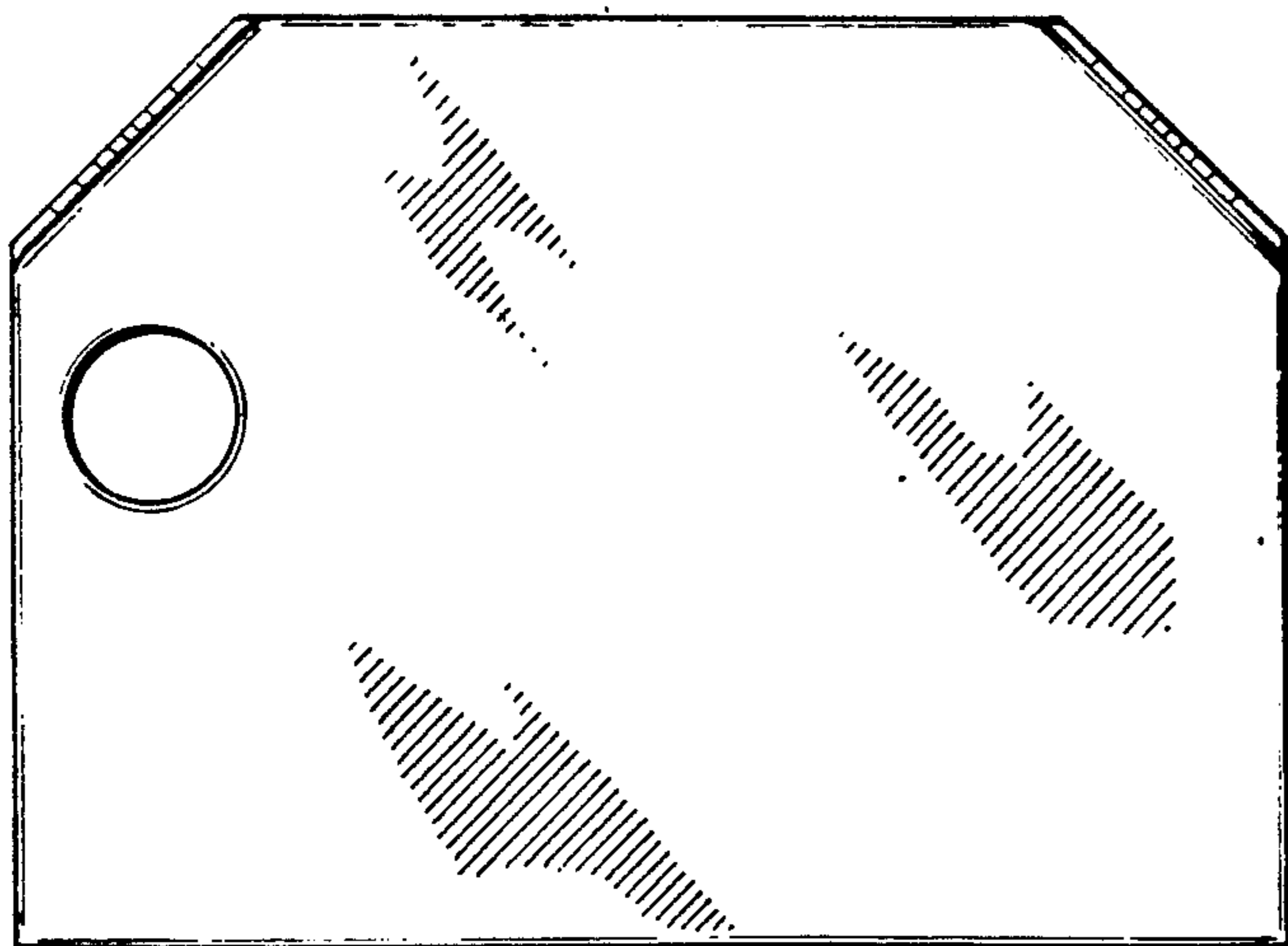


FIG. 6