

[54] FLOWER STAND OR SIMILAR ARTICLE

[76] Inventor: Mike J. Vukelich, Sr., 3459 Fleetwood Dr., Richmond, Calif. 94803

[**] Term: 14 Years

[21] Appl. No.: 98,673

[22] Filed: Sep. 21, 1987

[52] U.S. Cl. D6/405; D6/464

[58] Field of Search D6/403-405, D6/462-465; 211/108, 13; 108/96; 47/39

[56] References Cited

U.S. PATENT DOCUMENTS

D. 122,462	9/1940	Griffin	D6/464
719,060	1/1903	Thomas	D6/465 X
3,176,848	4/1965	Stefan	211/189 X

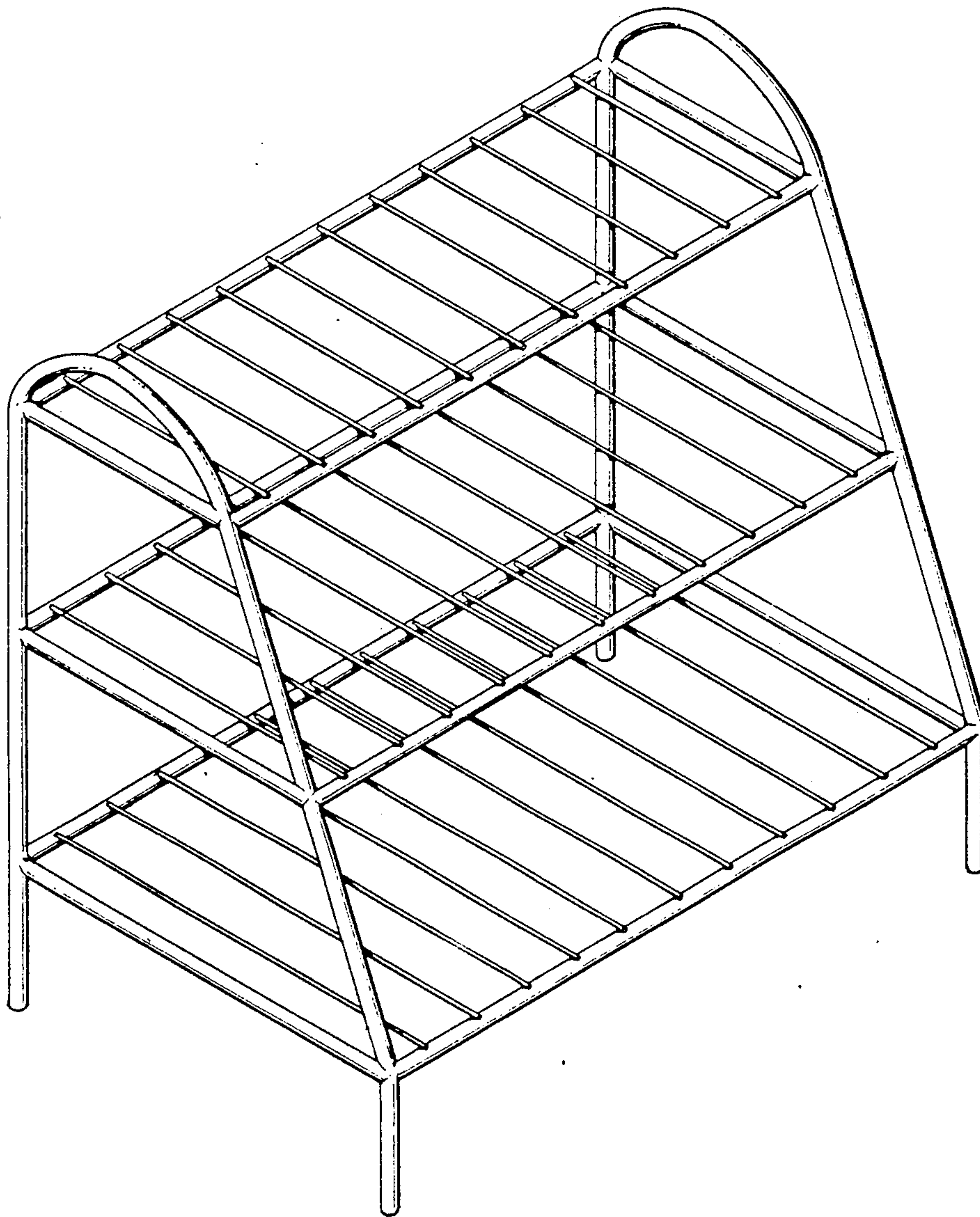
Primary Examiner—Carmen H. Vales-Lado
Attorney, Agent, or Firm—Bielen, Peterson & Lampe

[57] CLAIM

The ornamental design for a flower stand or similar article, as shown.

DESCRIPTION

FIG. 1 is a front perspective view of a flower stand or similar article showing my new design; FIG. 2 is a side elevational view thereof; FIG. 3 is a top plan view thereof; FIG. 4 is a rear elevational view thereof; and, FIG. 5 is a bottom plan view thereof.



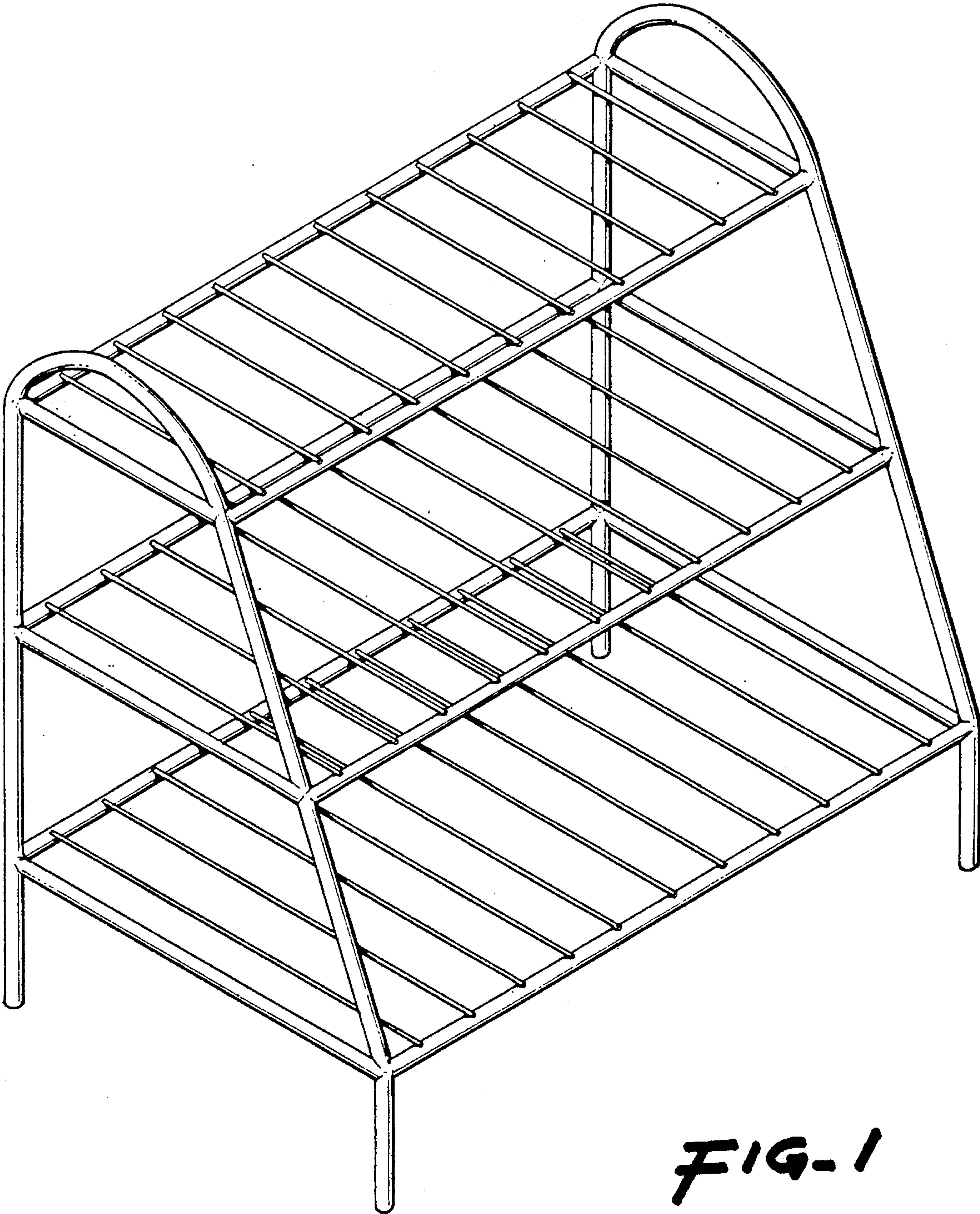


FIG-1

FIG-3

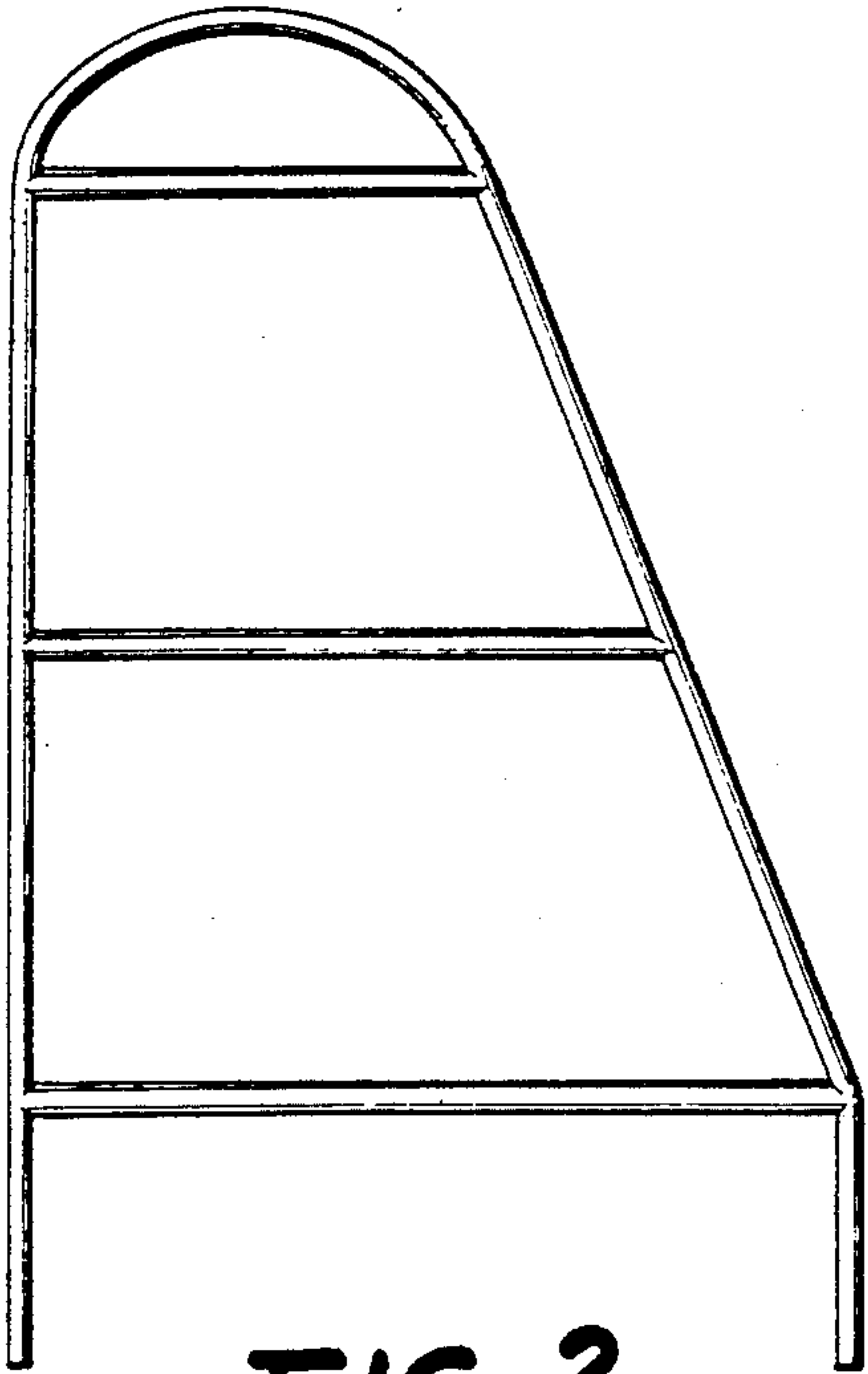
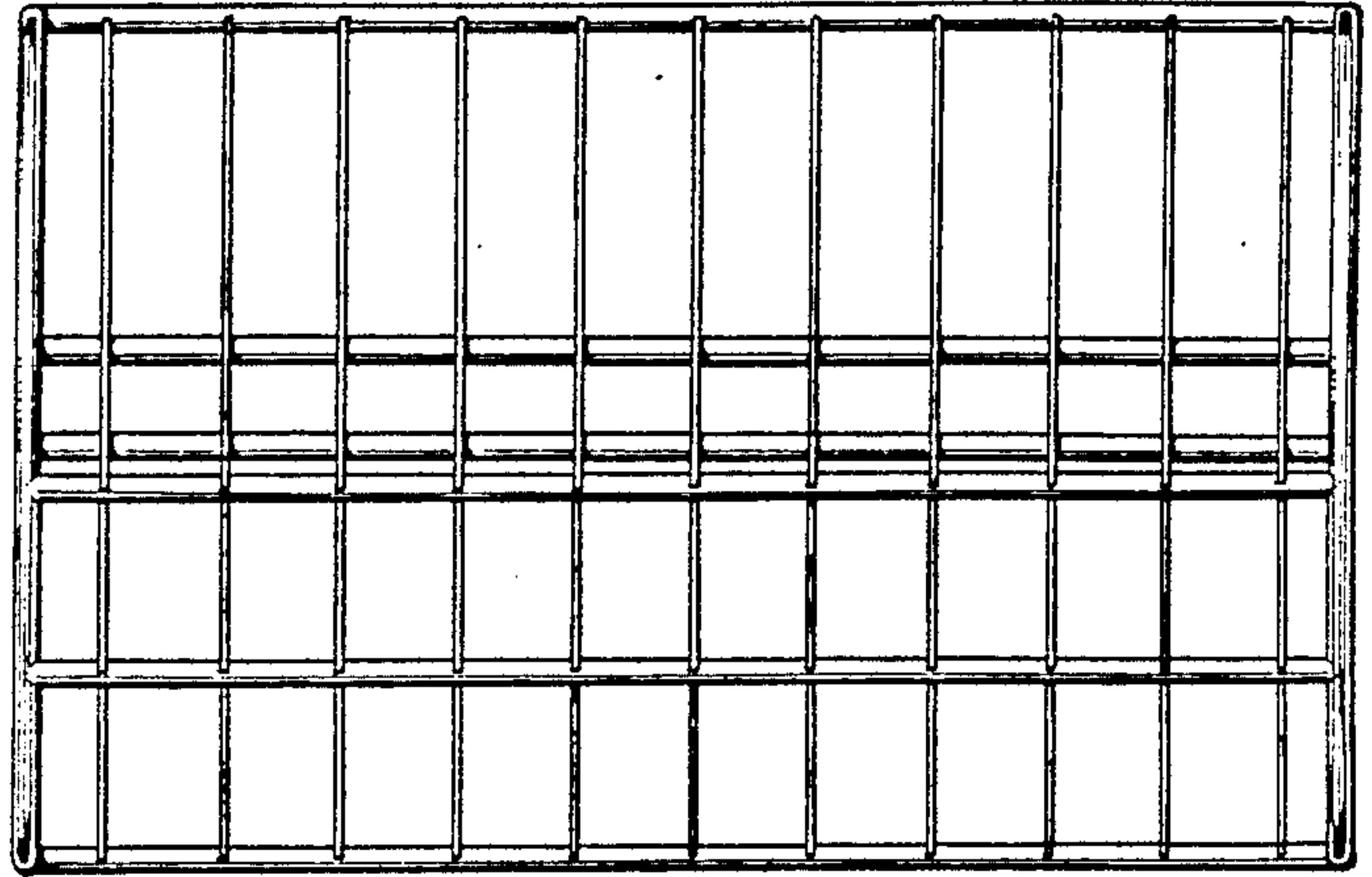


FIG-2

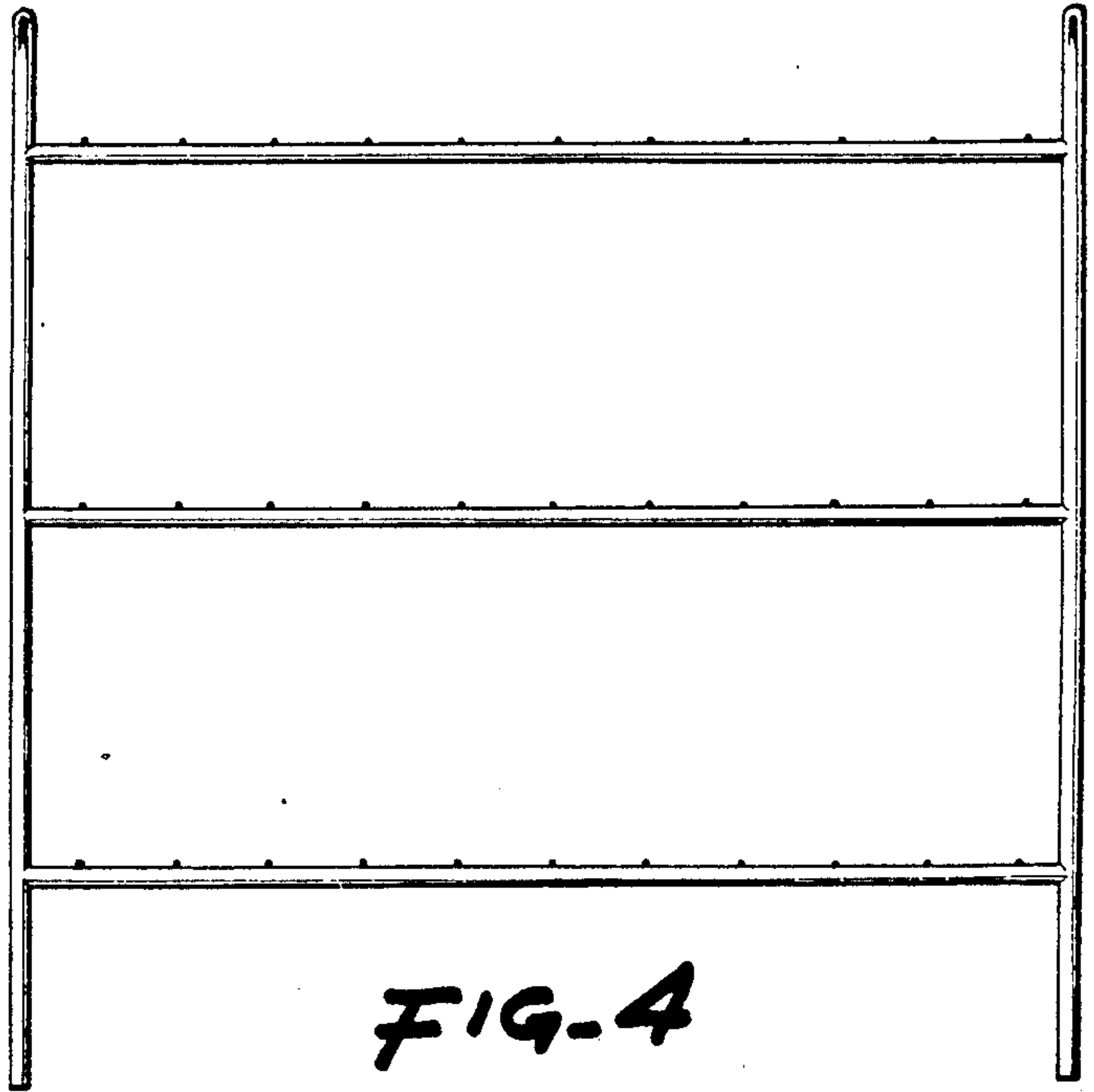


FIG-4

FIG-5

