

[54] SEAT

[76] Inventor: Geoffrey K. Wolcott, P.O. Box 1214, Stowe, Vt. 05672

[\*\*] Term: 14 Years

[21] Appl. No.: 114,260

[22] Filed: Oct. 27, 1987

[52] U.S. Cl. .... D6/370

[58] Field of Search ..... D6/370, 374, 361, 344, D6/379, 381

[56] References Cited

U.S. PATENT DOCUMENTS

D. 70,495	6/1926	Wurdack	.....	D6/370
D. 109,239	4/1938	Wolpin	.....	D6/370
D. 295,927	5/1988	Hickey	.....	D6/370

Primary Examiner—Nelson C. Holtje  
Assistant Examiner—J. H. Musgrove  
Attorney, Agent, or Firm—Pollock, Vande Sande & Priddy

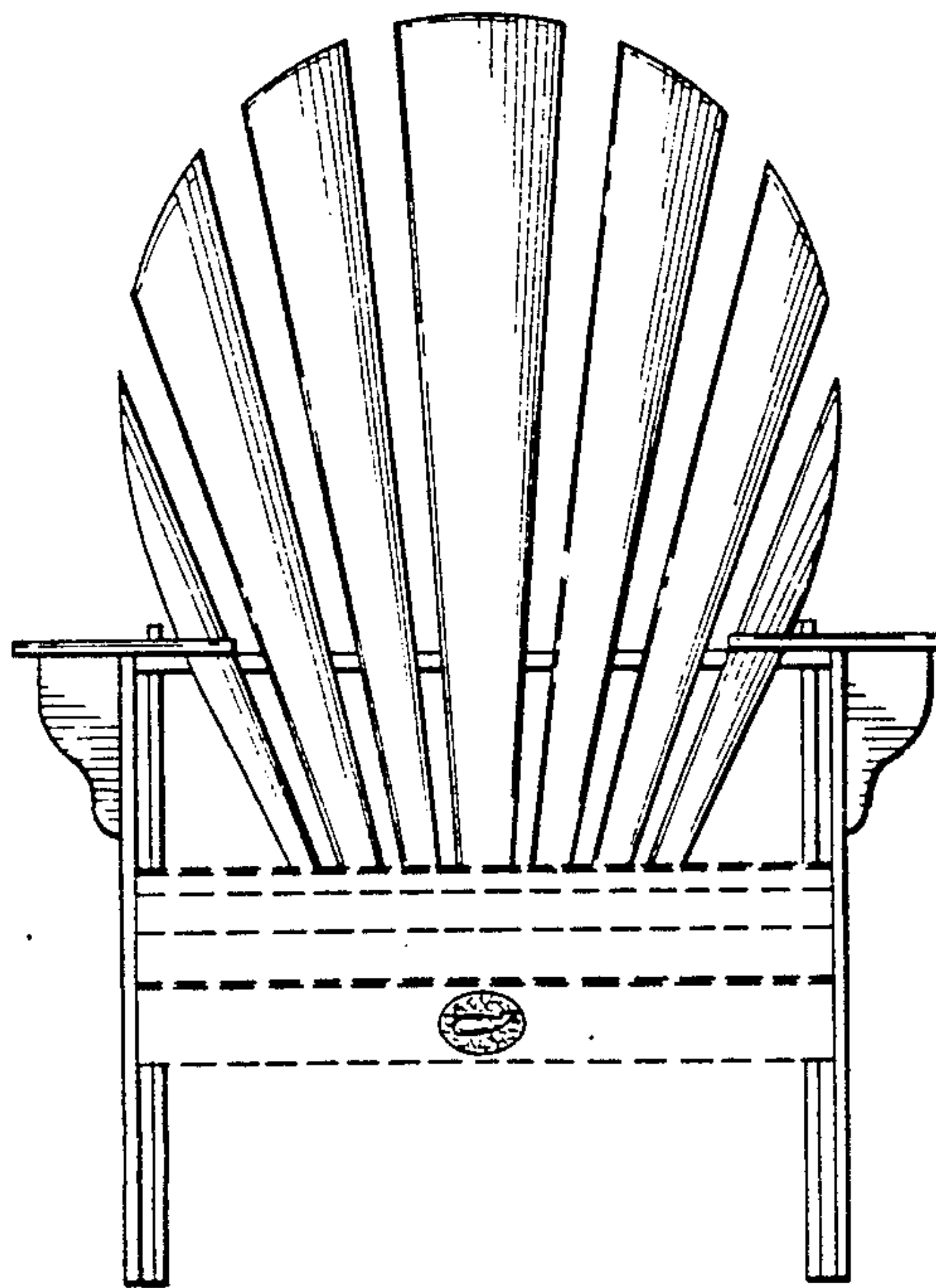
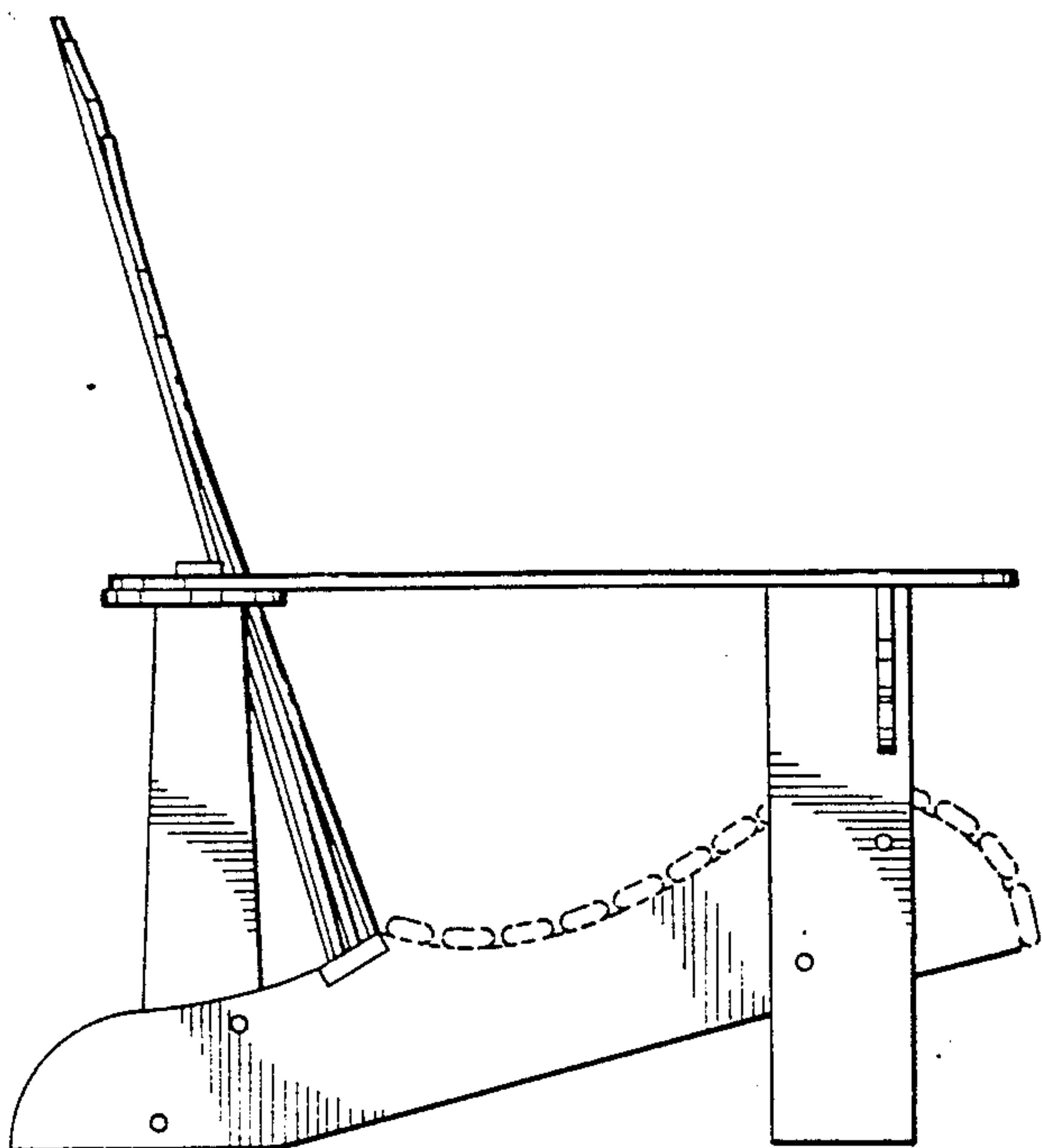
[57] CLAIM

A new and ornamental design for seat, as shown and described above.

DESCRIPTION

FIG. 1 is a left side elevational view of a seat showing my new design, the opposite side being a mirror image; FIG. 2 is a front elevational view; FIG. 3 is a top plan view; FIG. 4 is a bottom plan view; FIG. 5 is a rear elevational view thereof; FIG. 6 is a left side elevational view of my second embodiment of my new design of FIGS. 1-5, the opposite side being a mirror image; FIG. 7 is a front elevational view; FIG. 8 is a top plan view; FIG. 9 is a bottom plan view; FIG. 10 is a rear elevational view thereof; FIG. 11 is a left side elevational view of a third embodiment of my new design of FIGS. 1-5 the opposite side being a mirror image; FIG. 12 is a front elevational view; FIG. 13 is a top plan view; FIG. 14 is a bottom plan view; FIG. 15 is a rear elevational view thereof; FIG. 16 is a front elevational view of a fourth embodiment of my design of FIGS. 1-5; FIG. 17 is is a left side elevational view the opposite side being a mirror image; FIG. 18 is a top plan view; FIG. 19 is a bottom plan view; FIG. 20 is a rear elevational view thereof.

The broken lines in the drawing are understood to be for illustrative purposes only showing environmental structure in which the claimed design of the present invention can be employed.



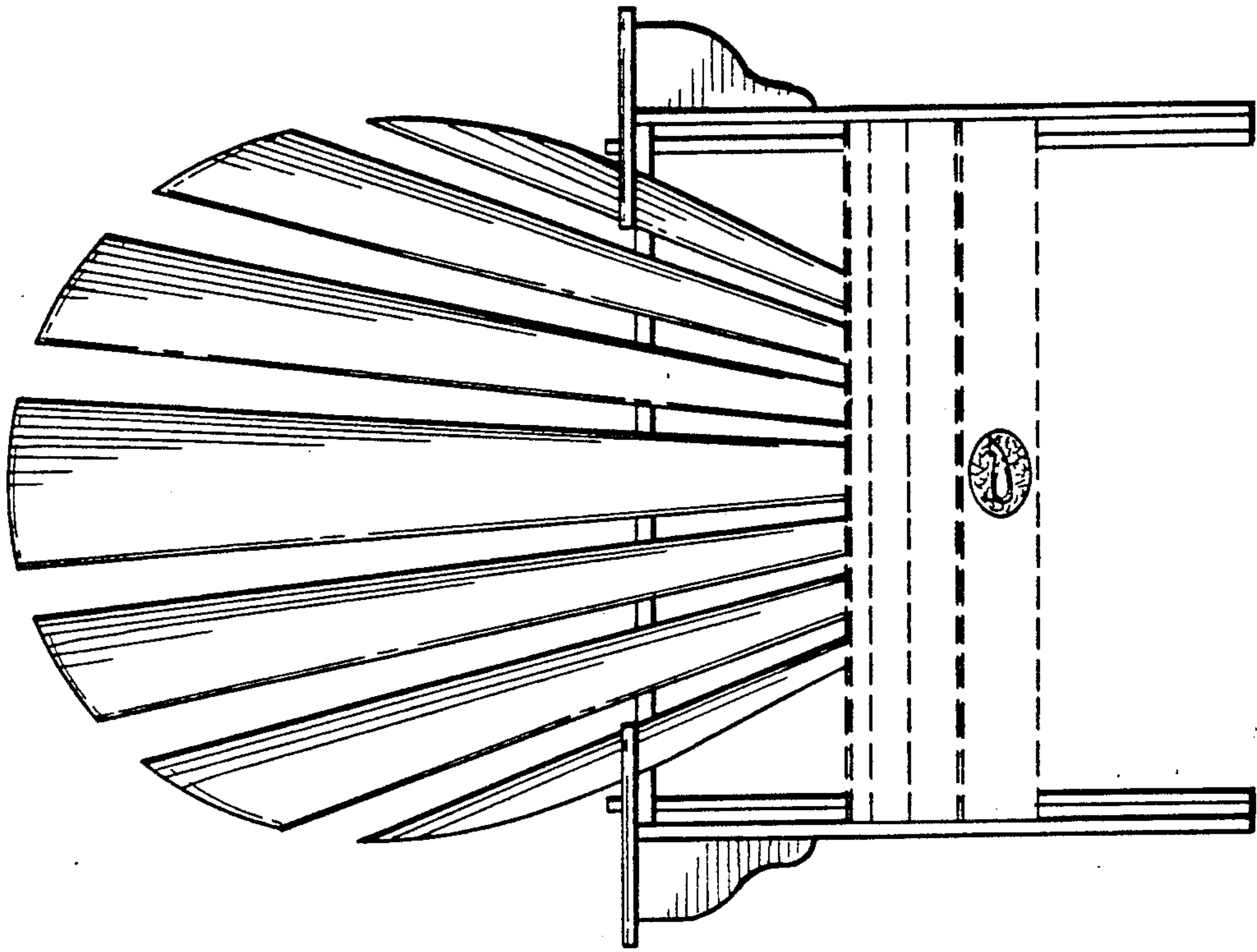


FIG 2

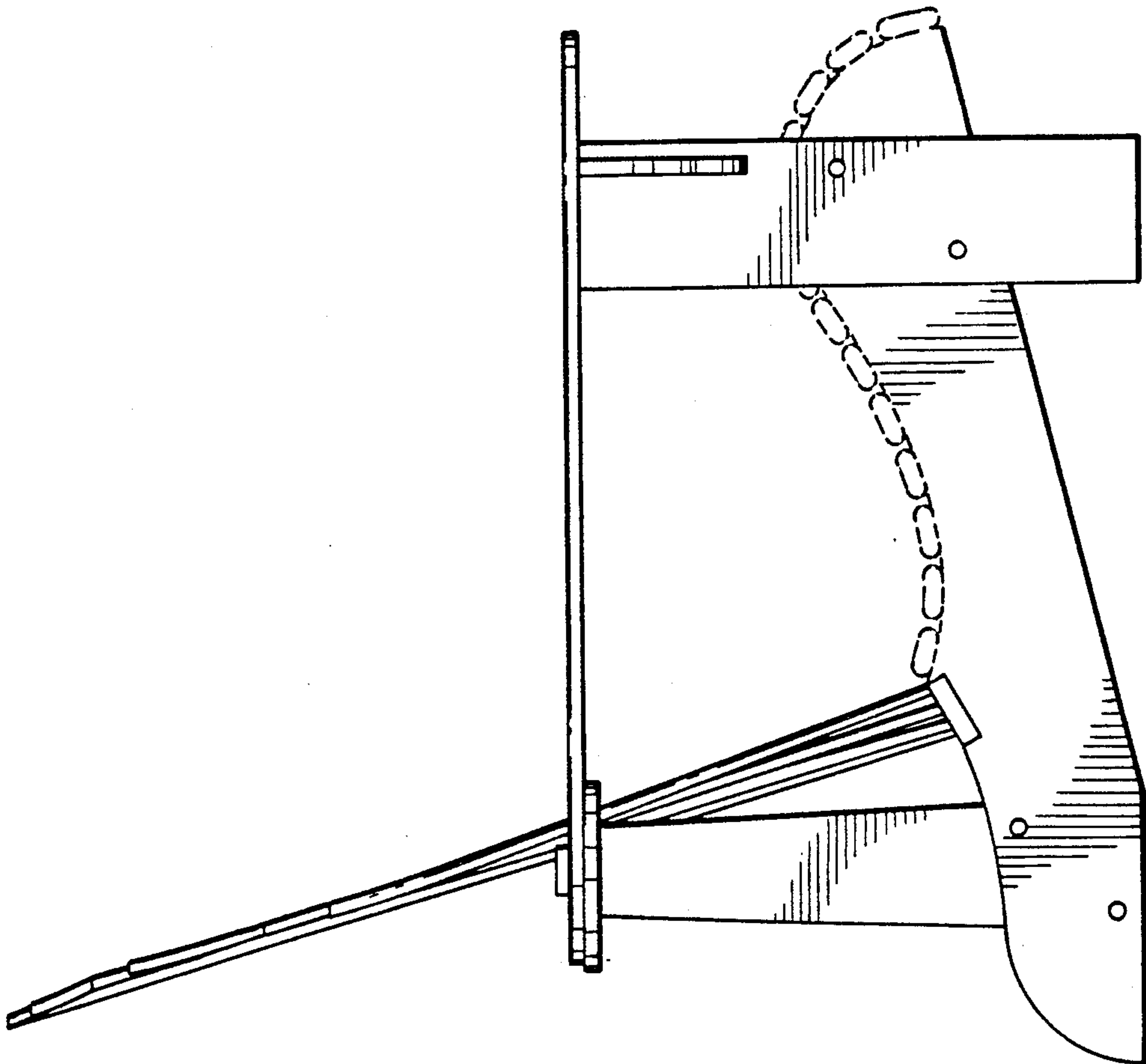


FIG 1

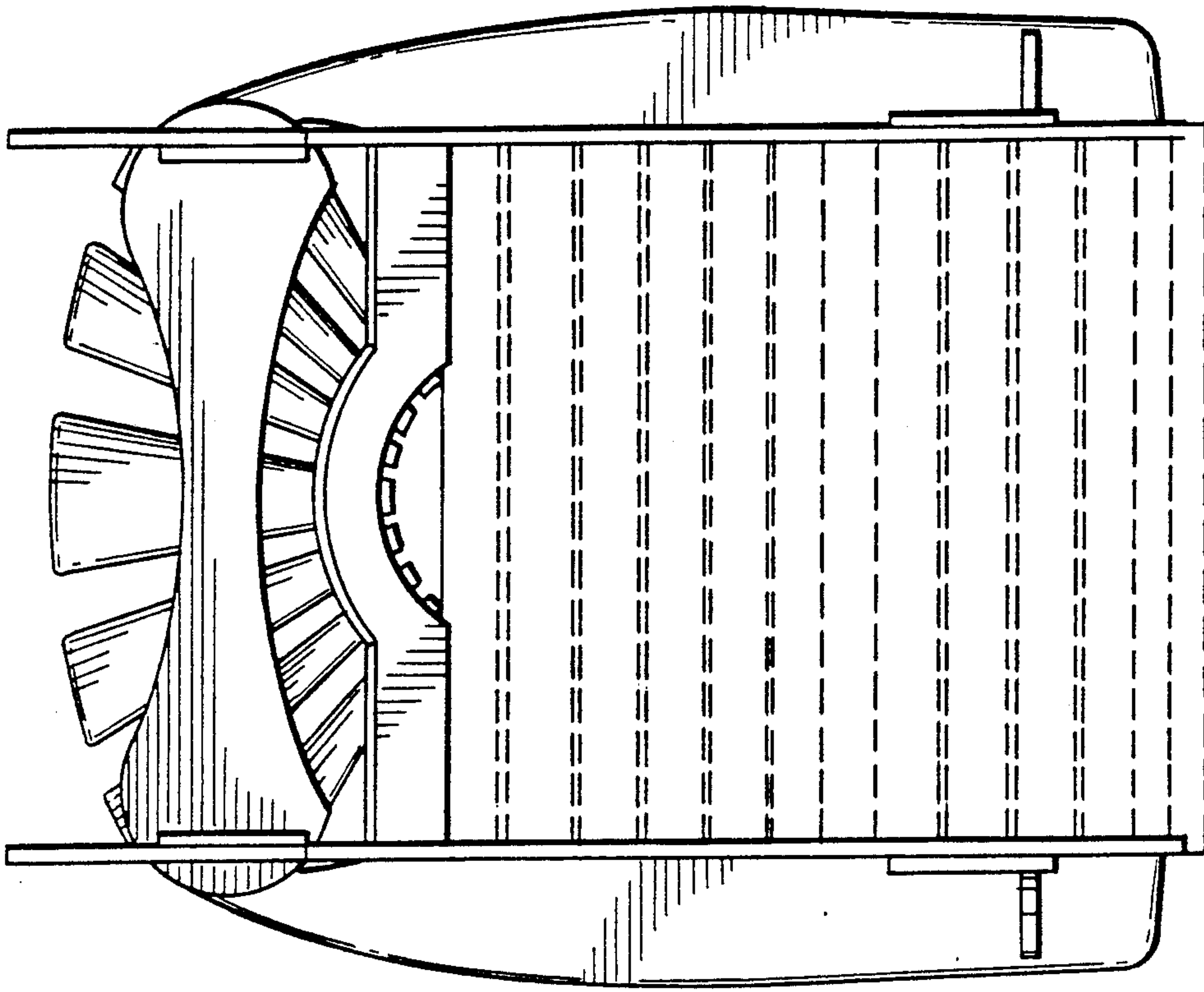


FIG 4

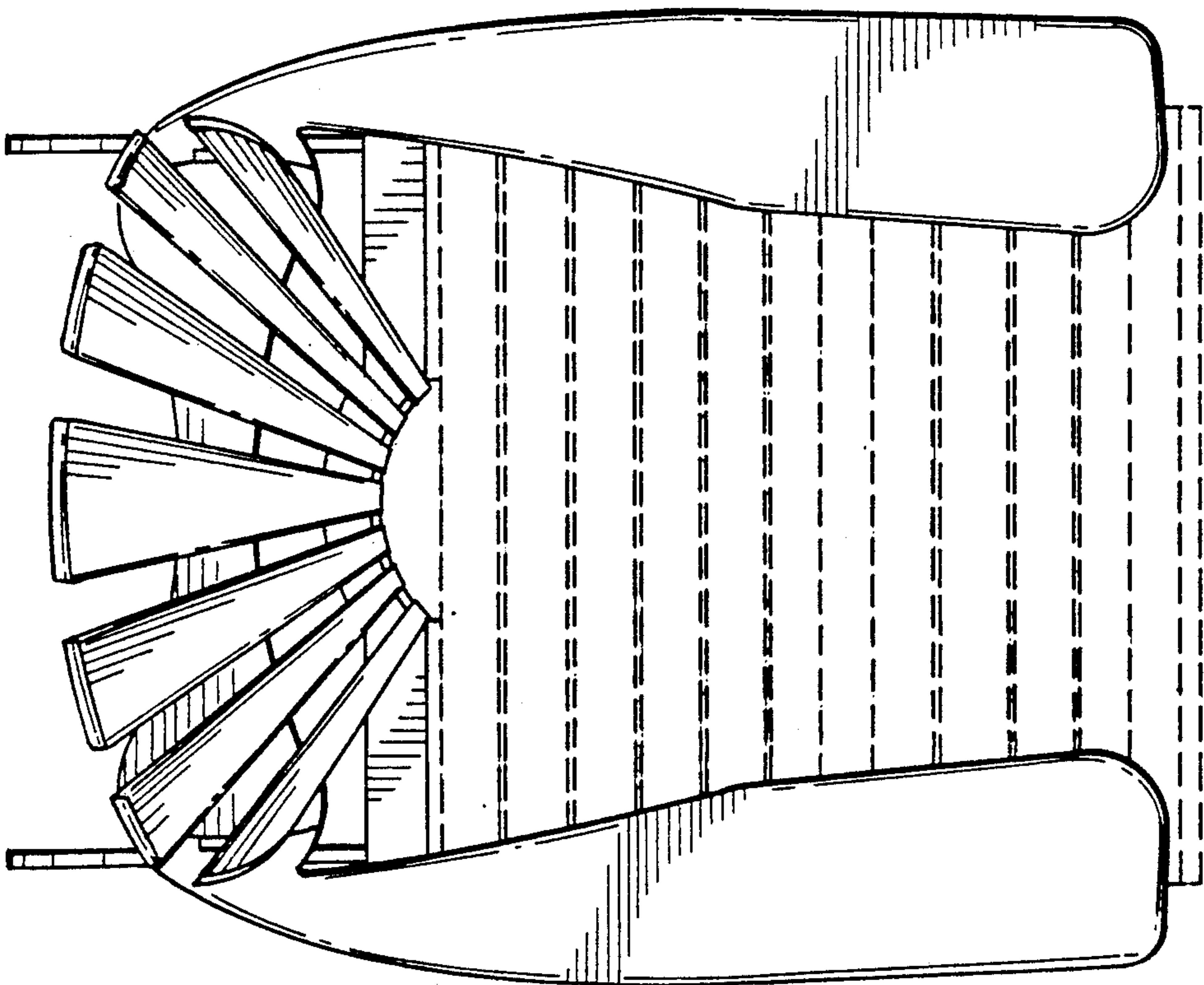


FIG 3



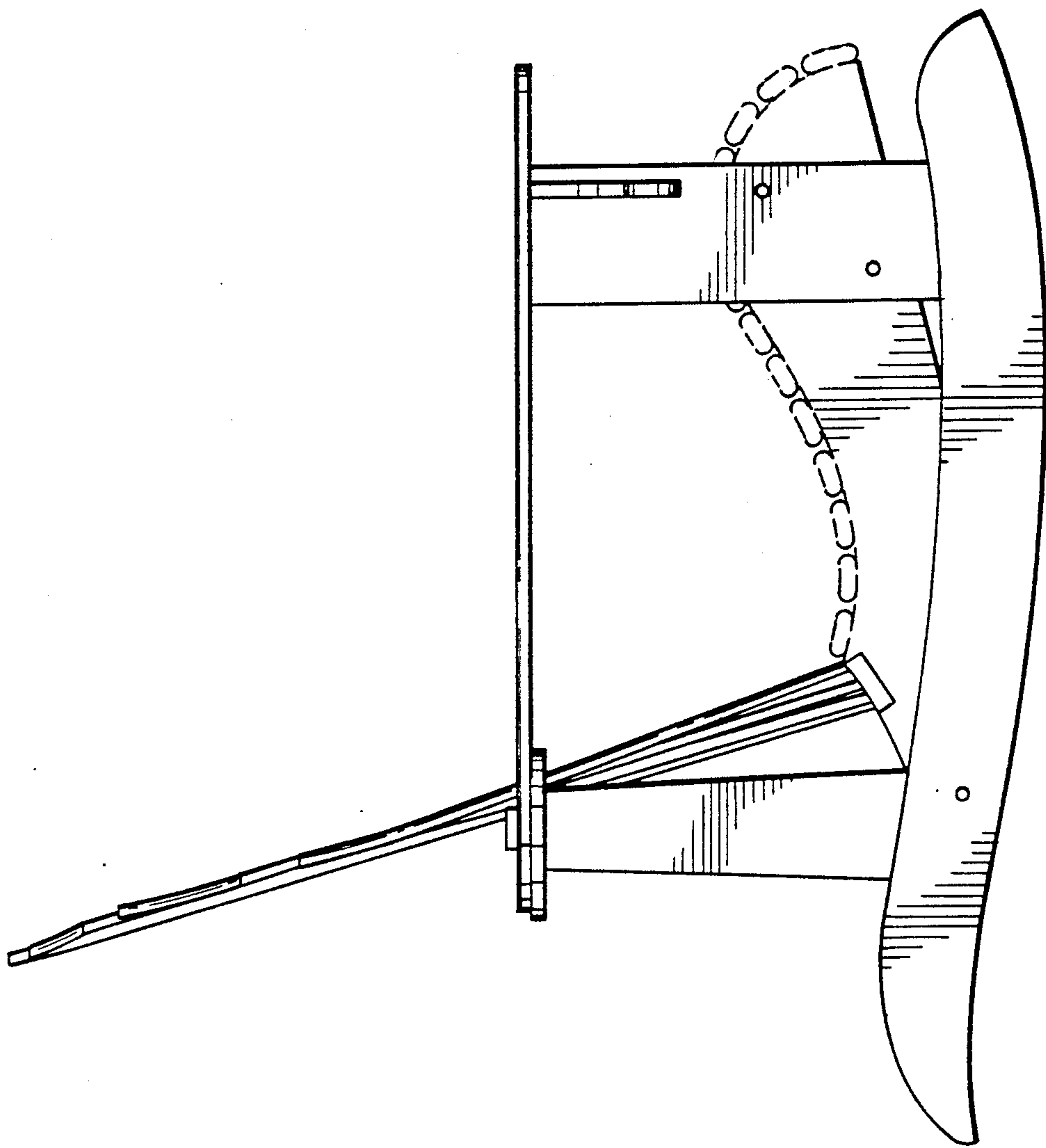


FIG. 6

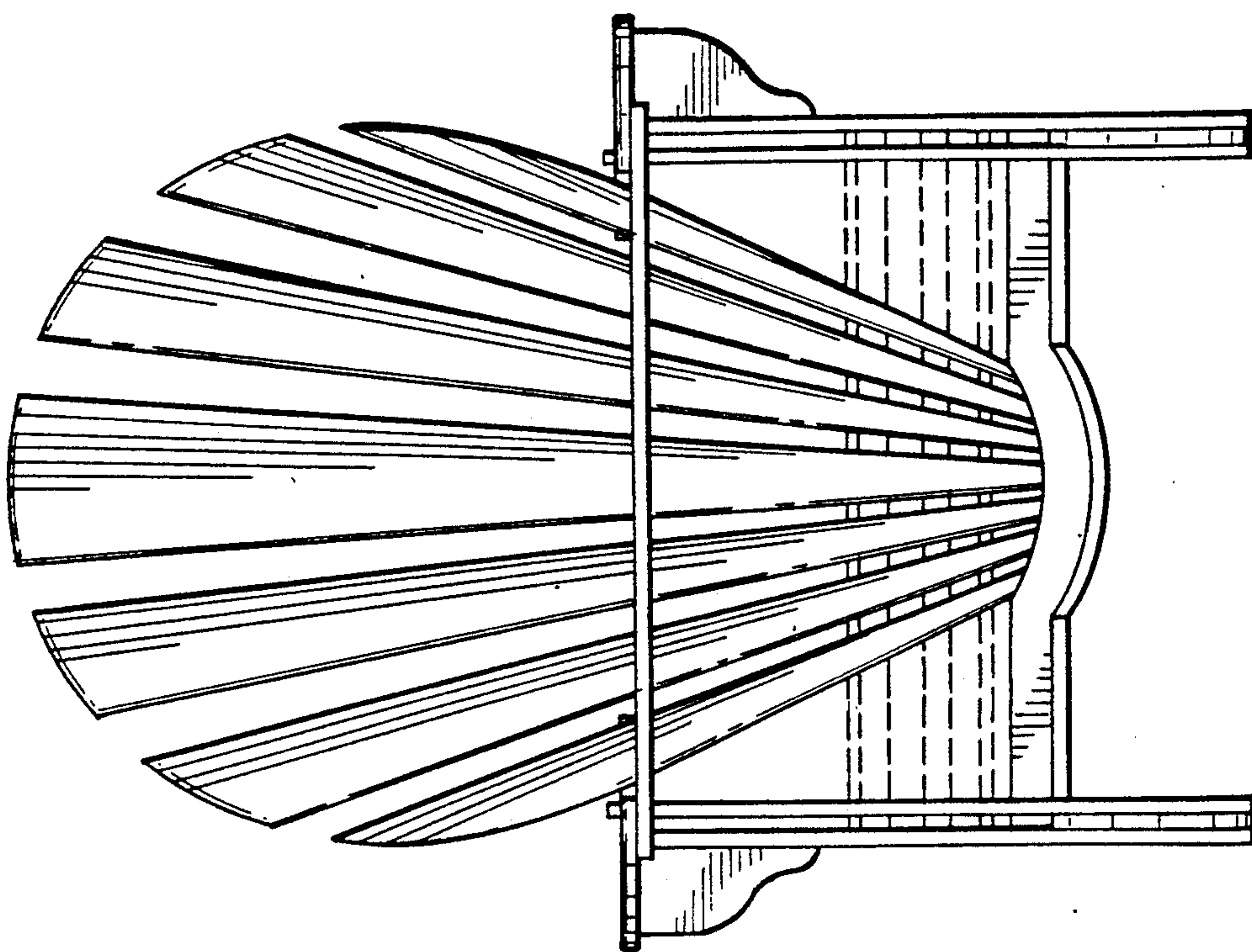


FIG. 5

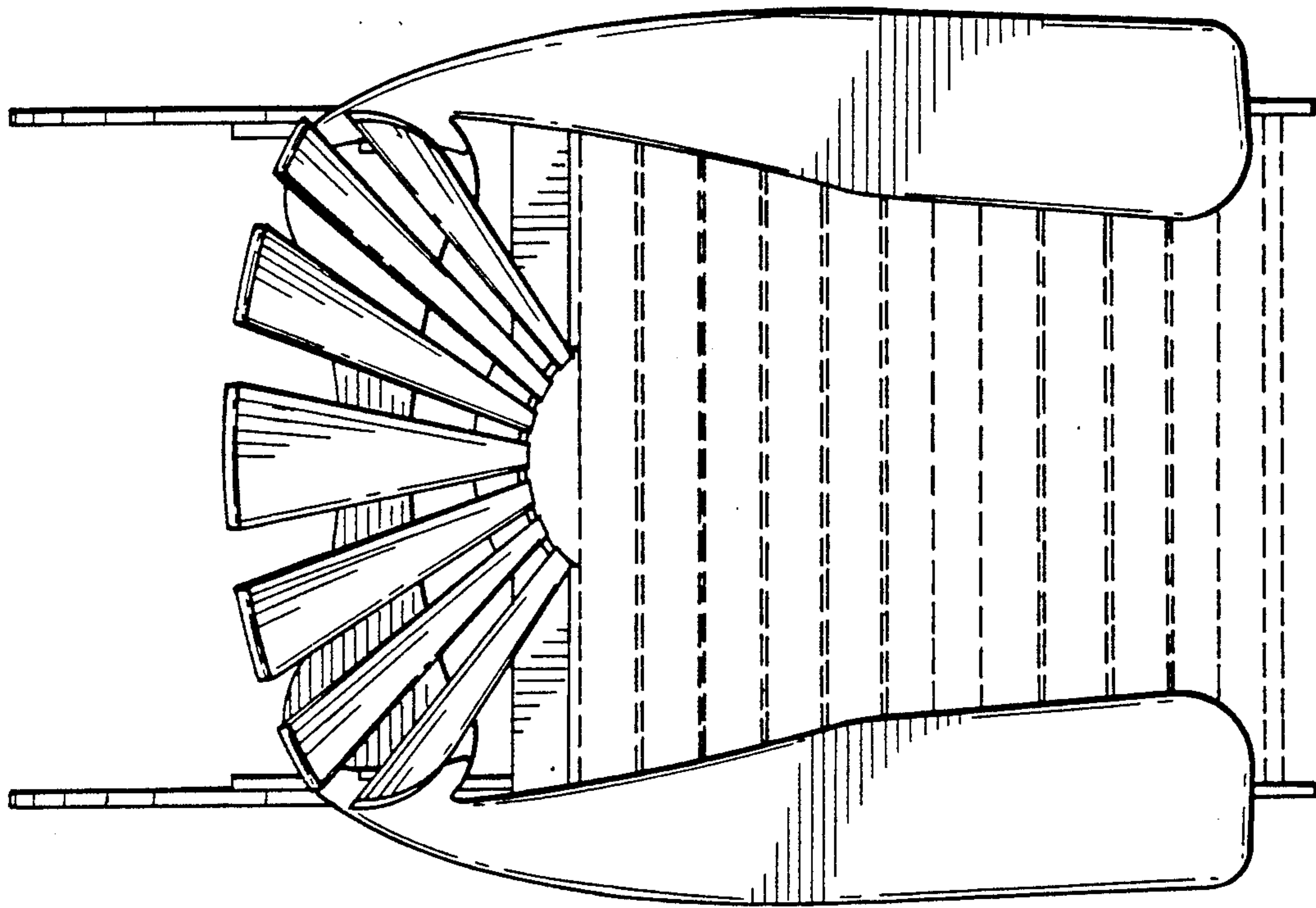


FIG. 8

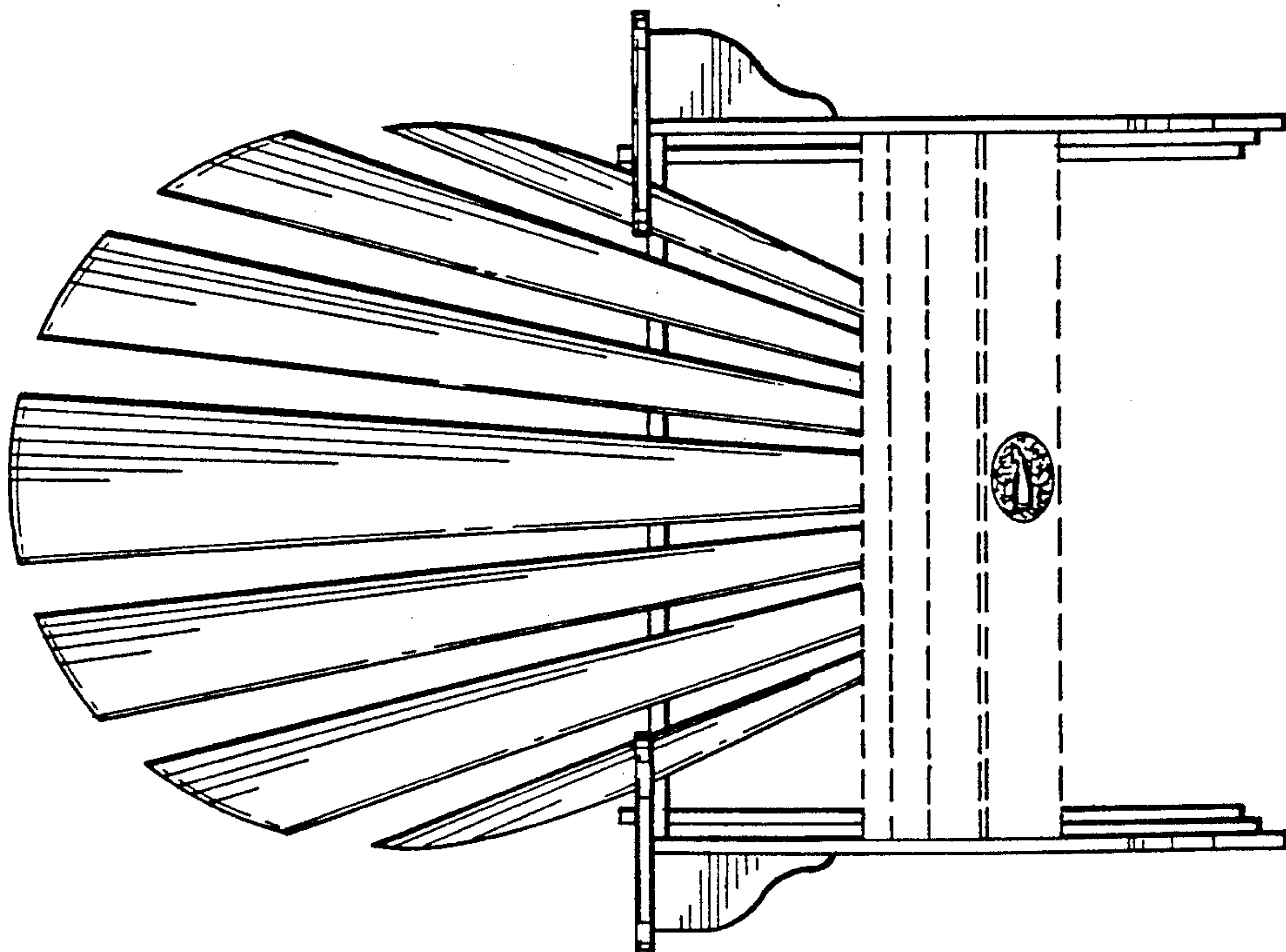


FIG. 7

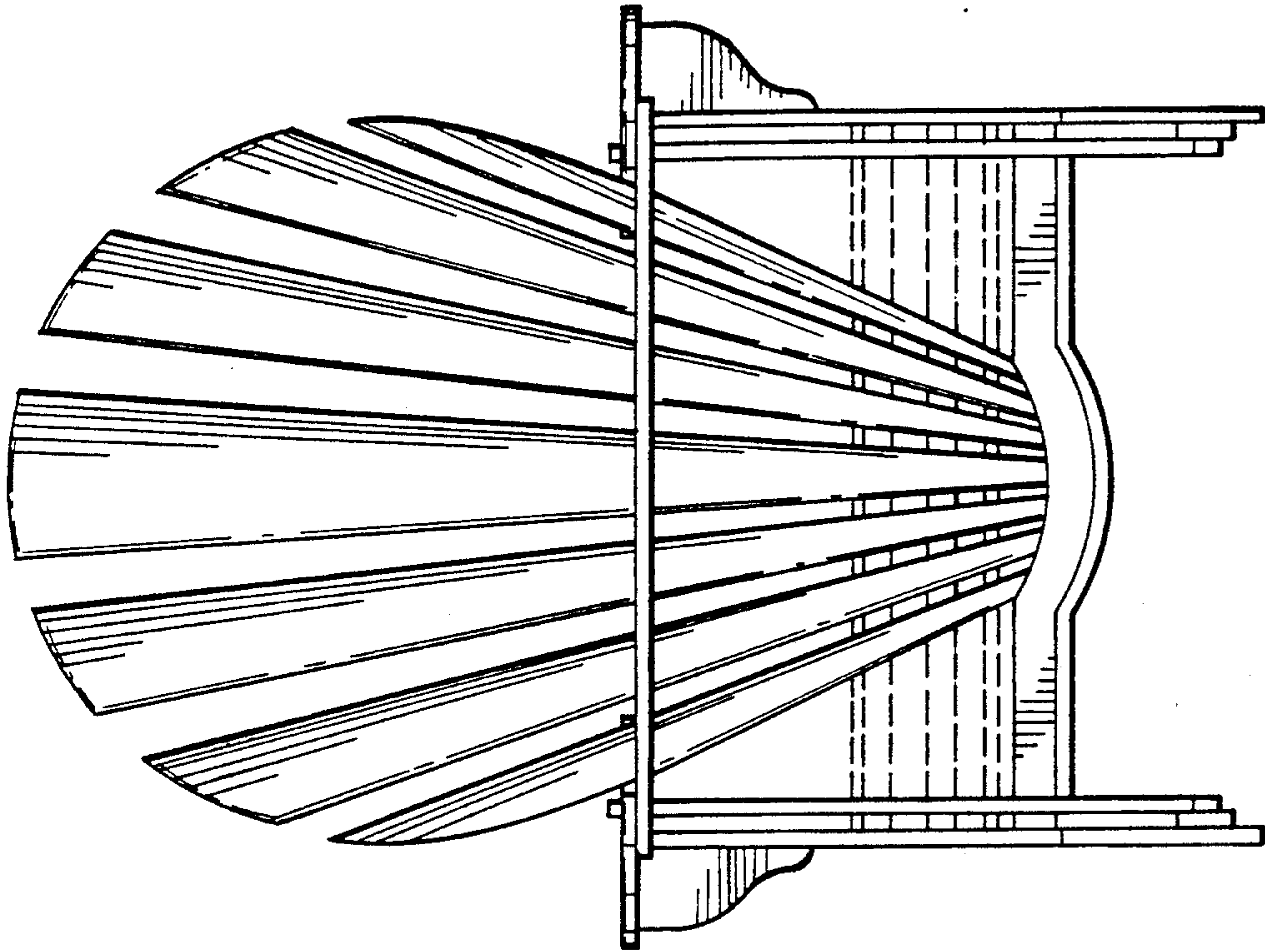


FIG 10

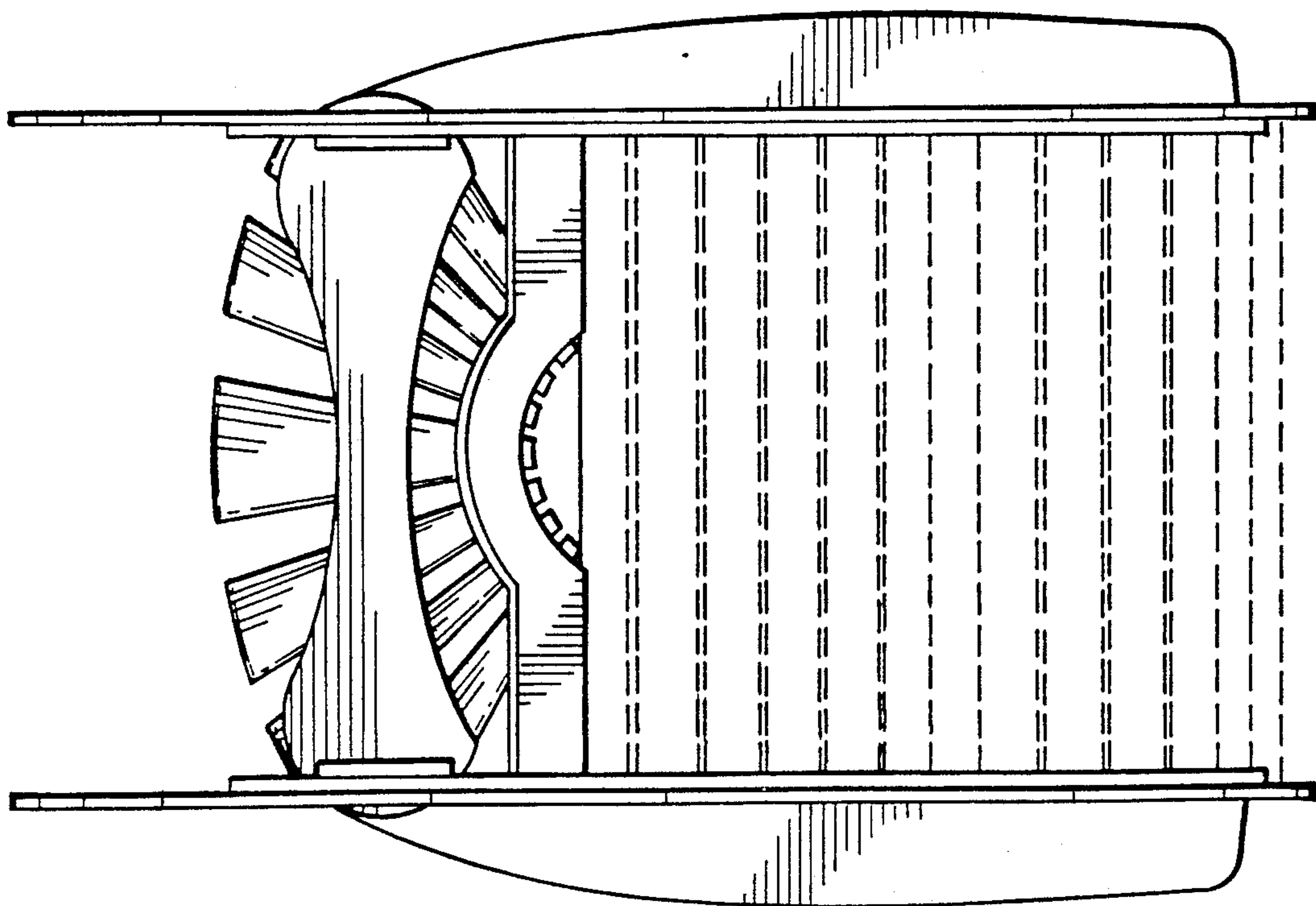


FIG 9



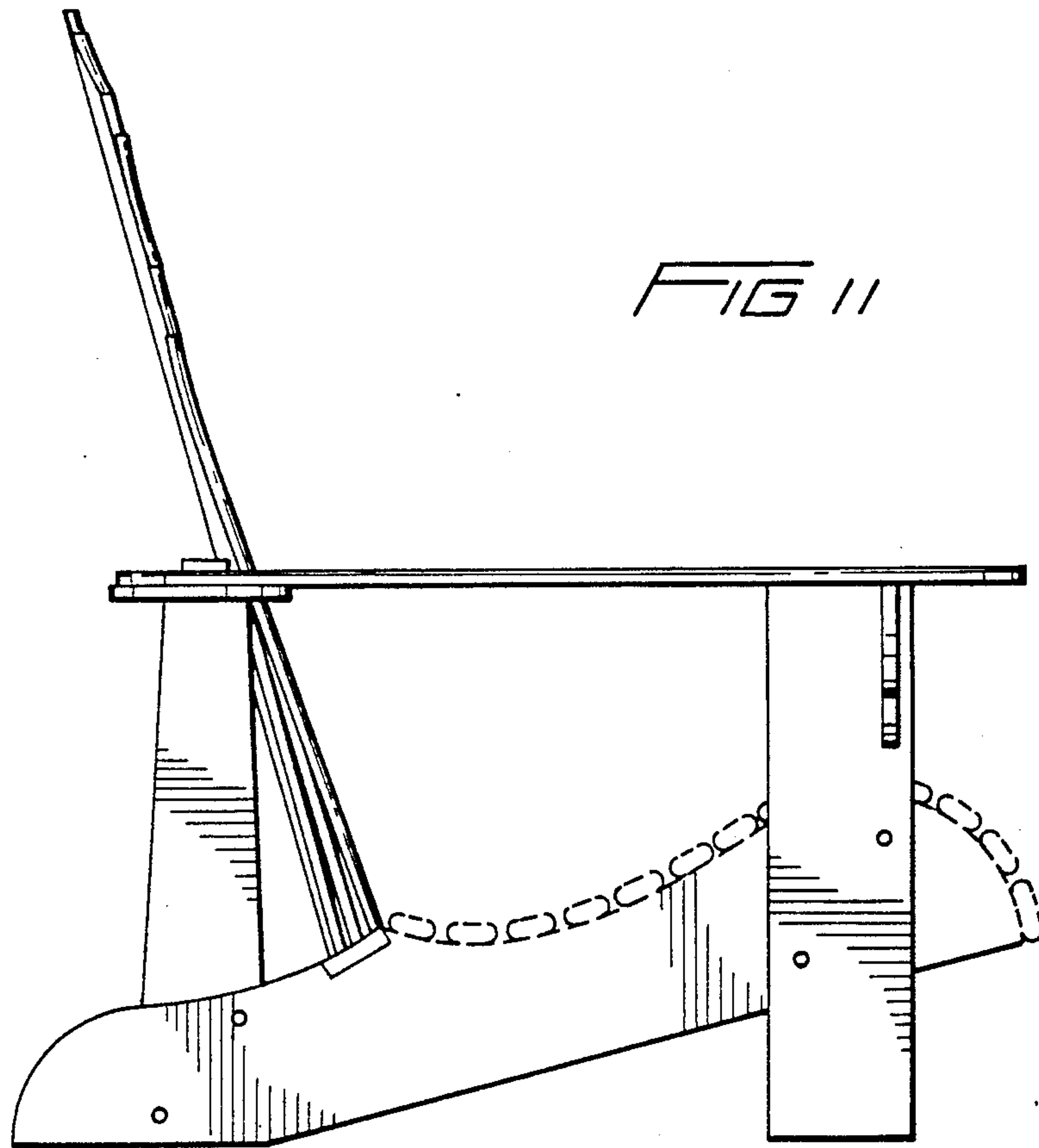


FIG 11

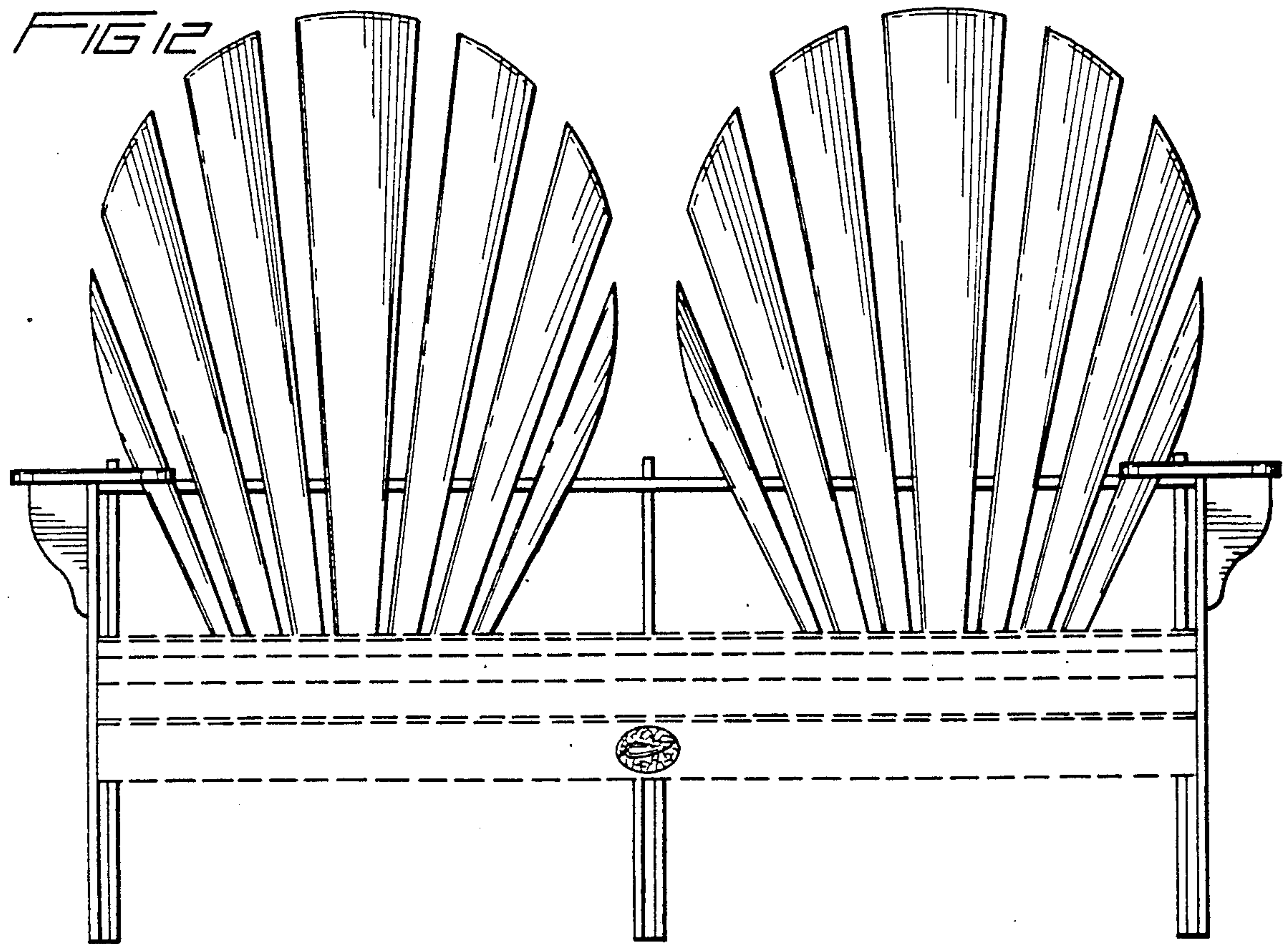


FIG 12

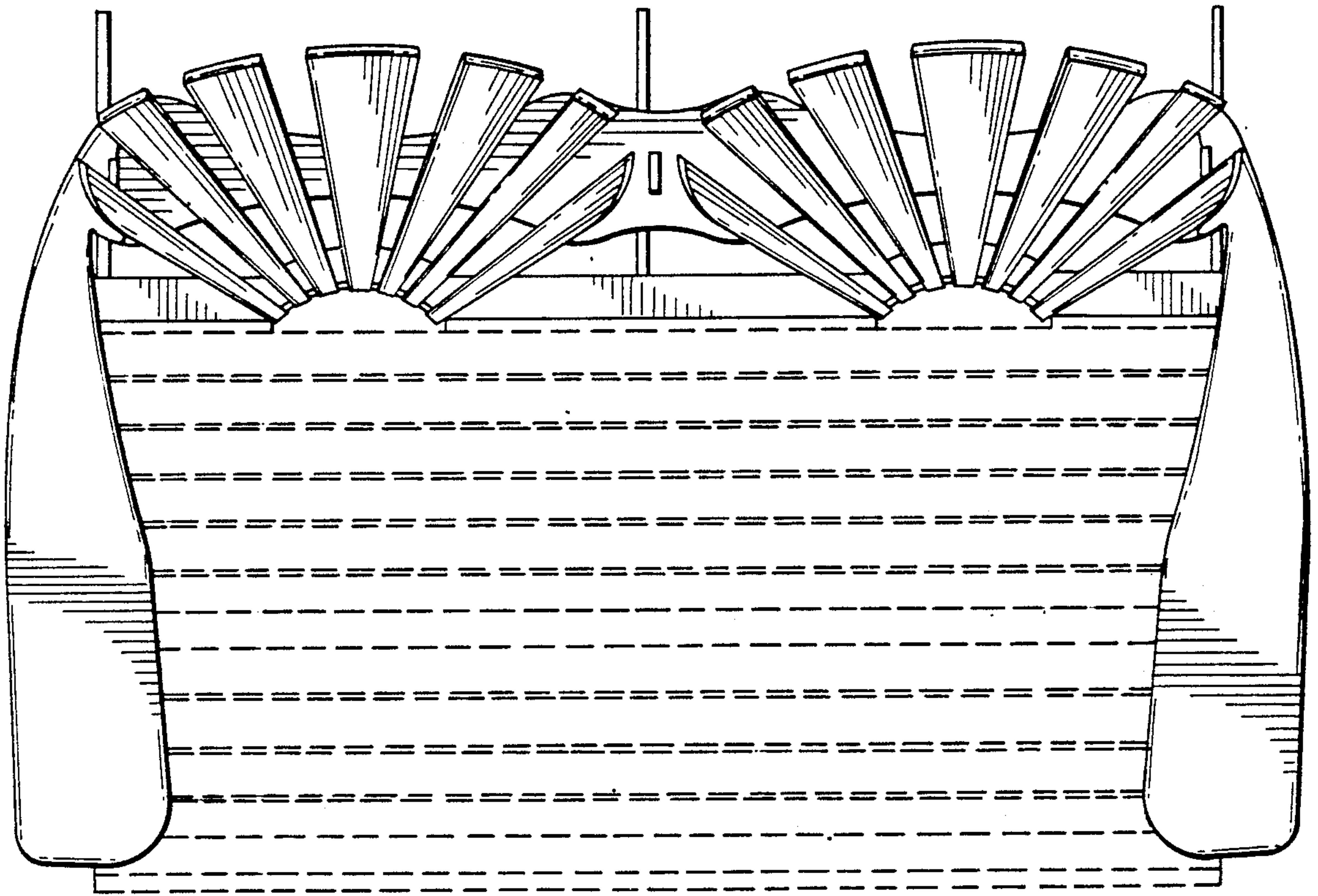


FIG 13

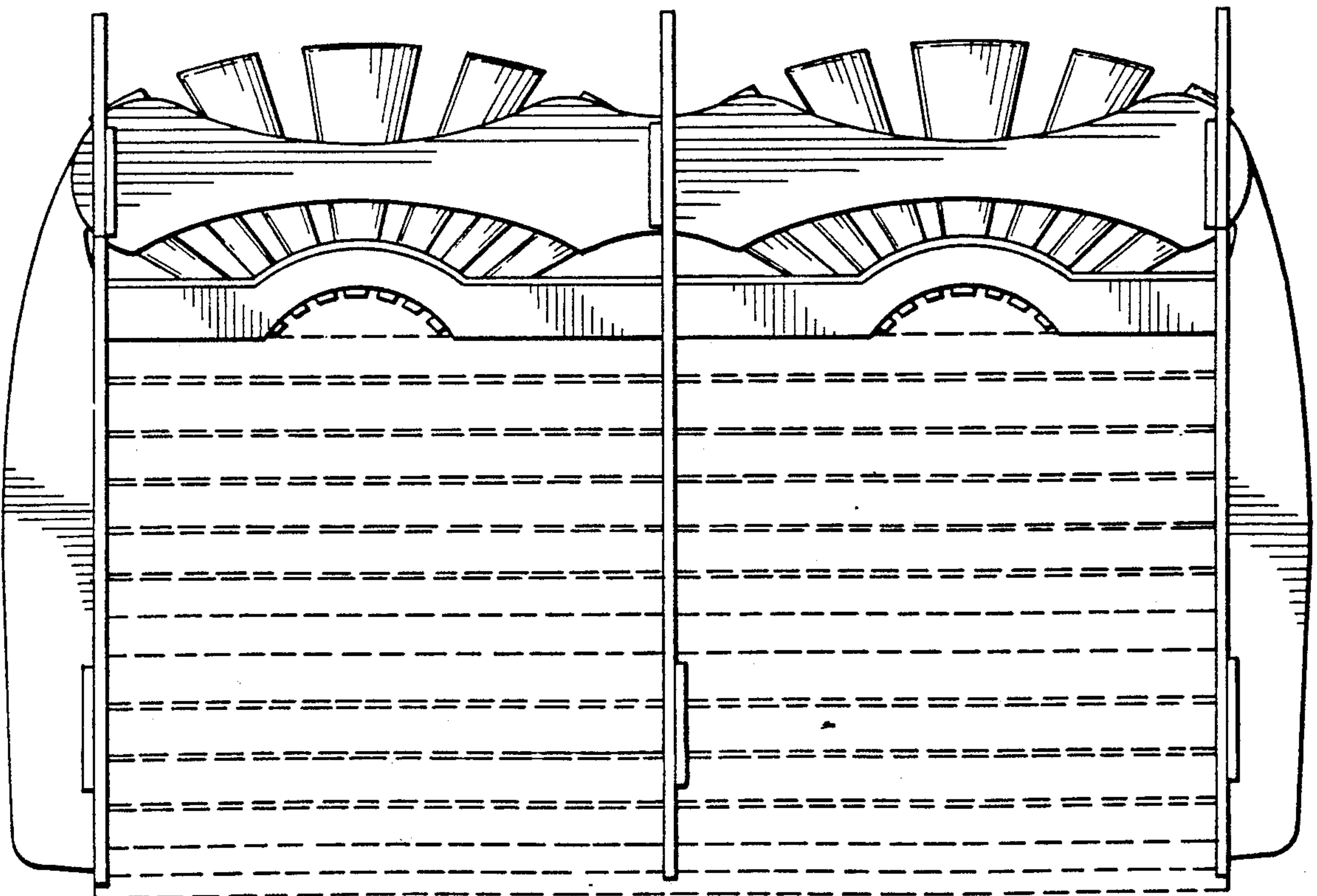


FIG 14



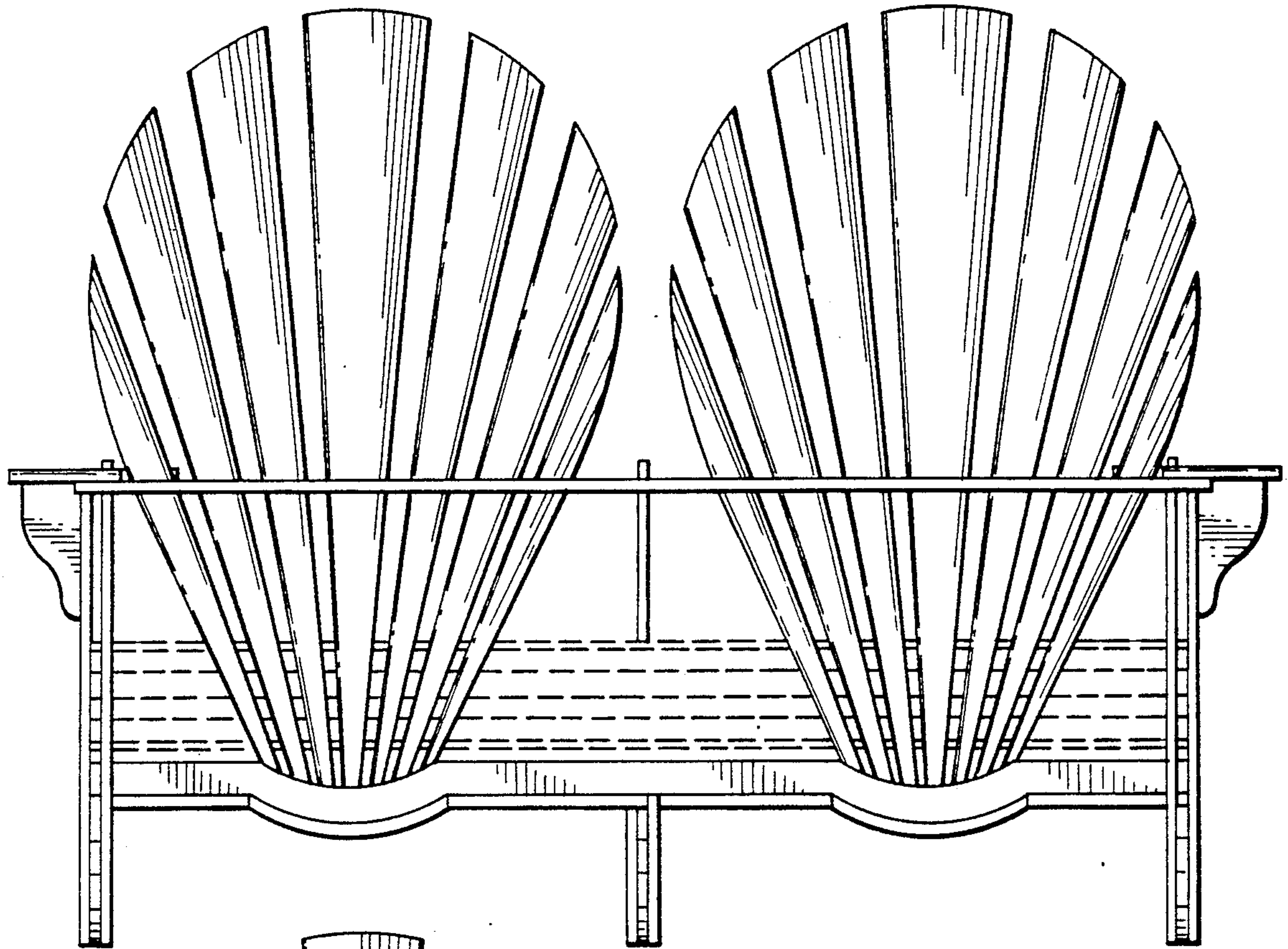


FIG 15

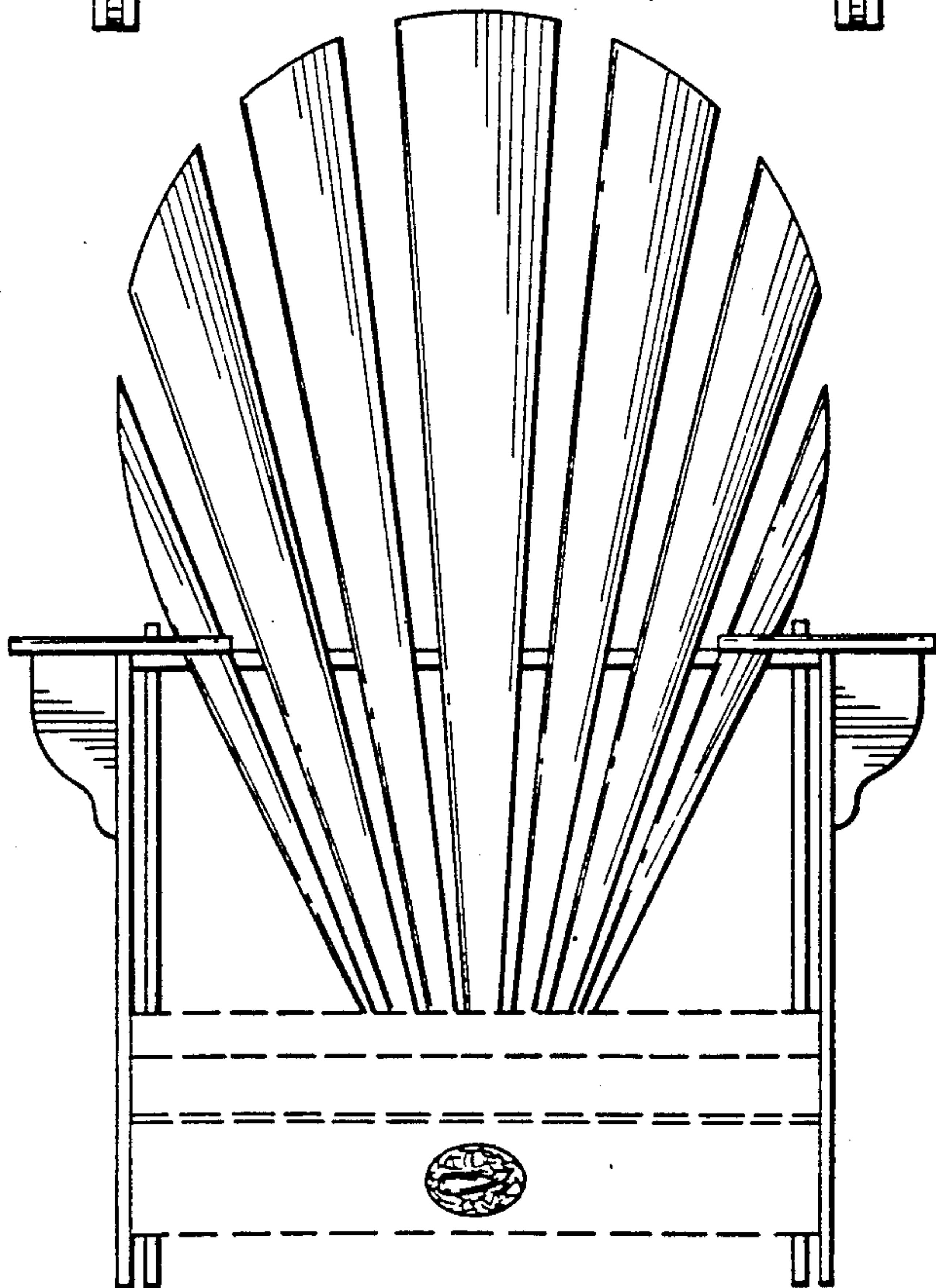
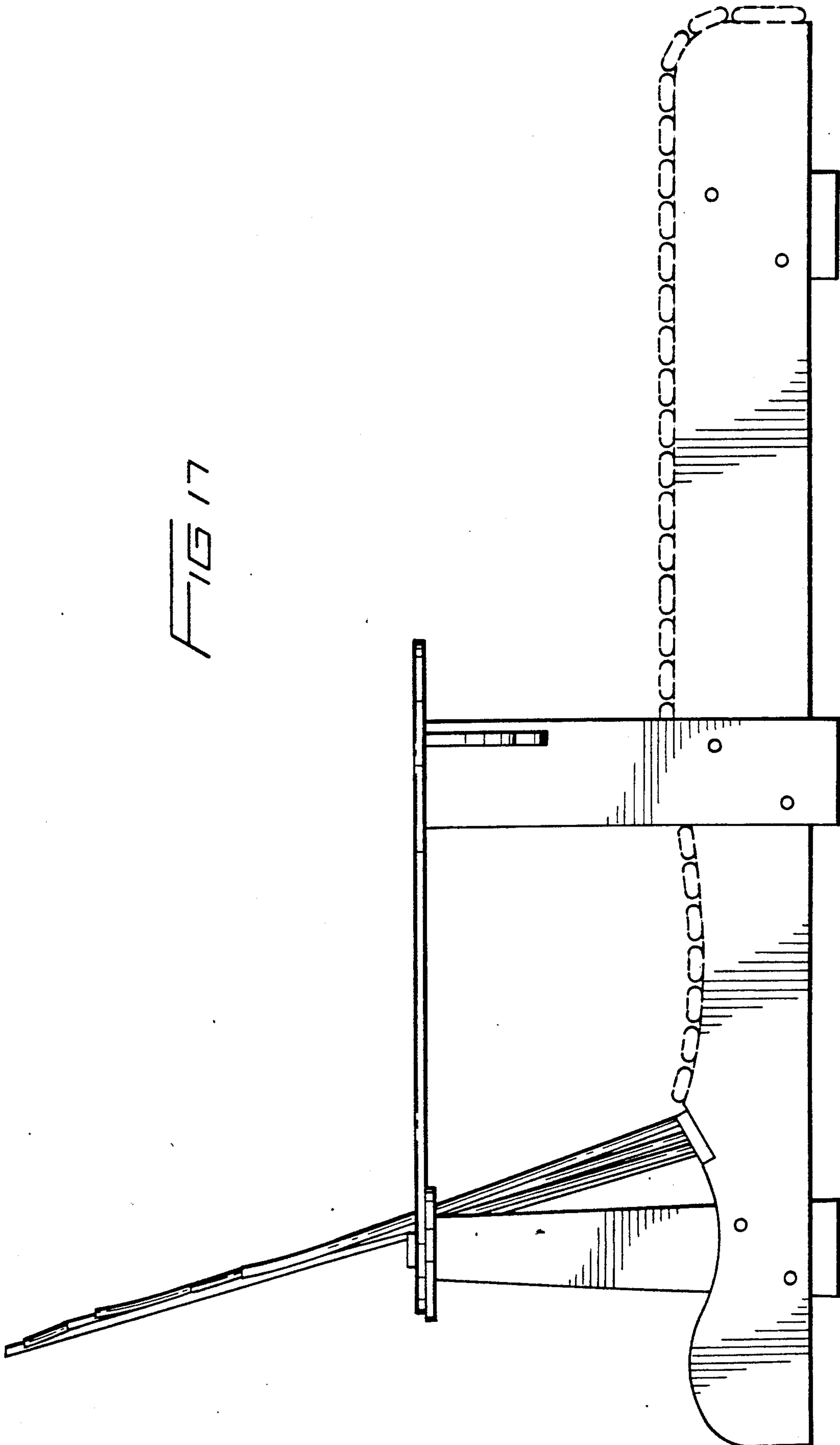


FIG 16

FIG 17



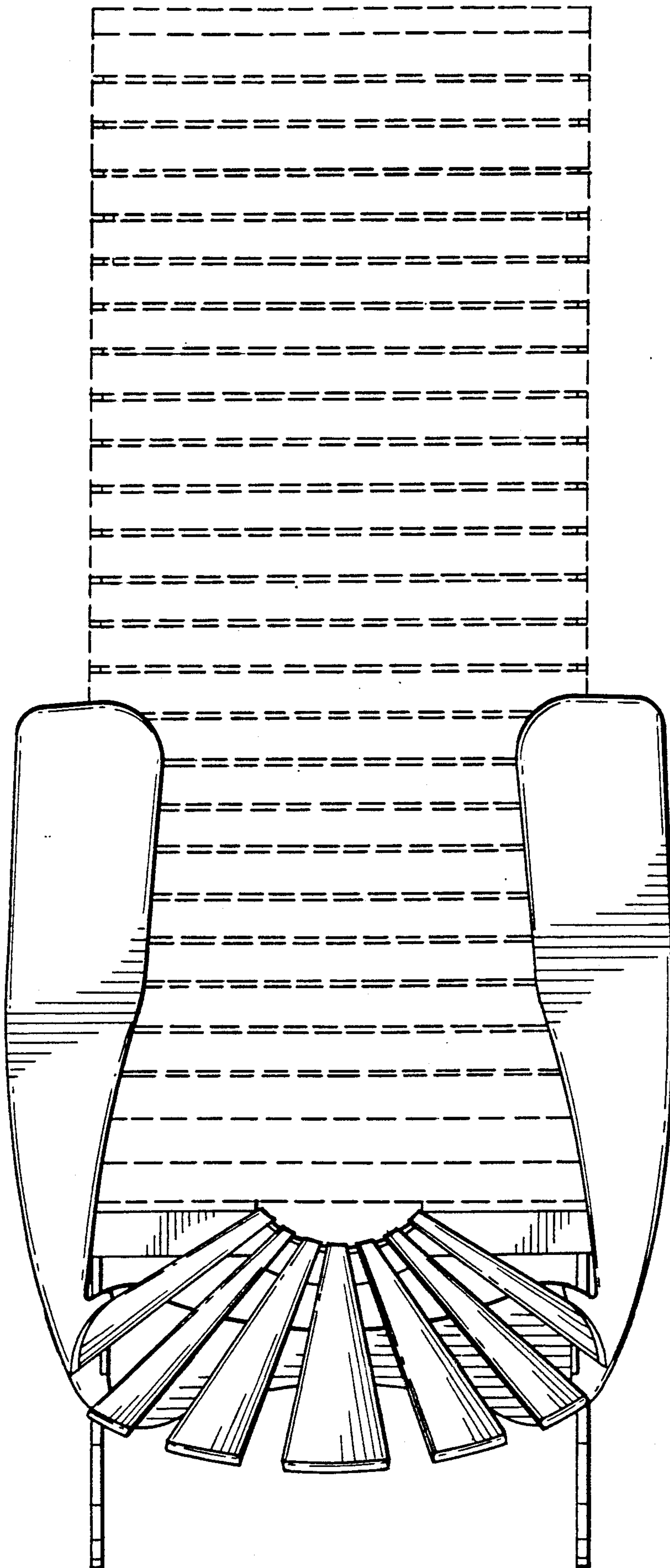


FIG 18



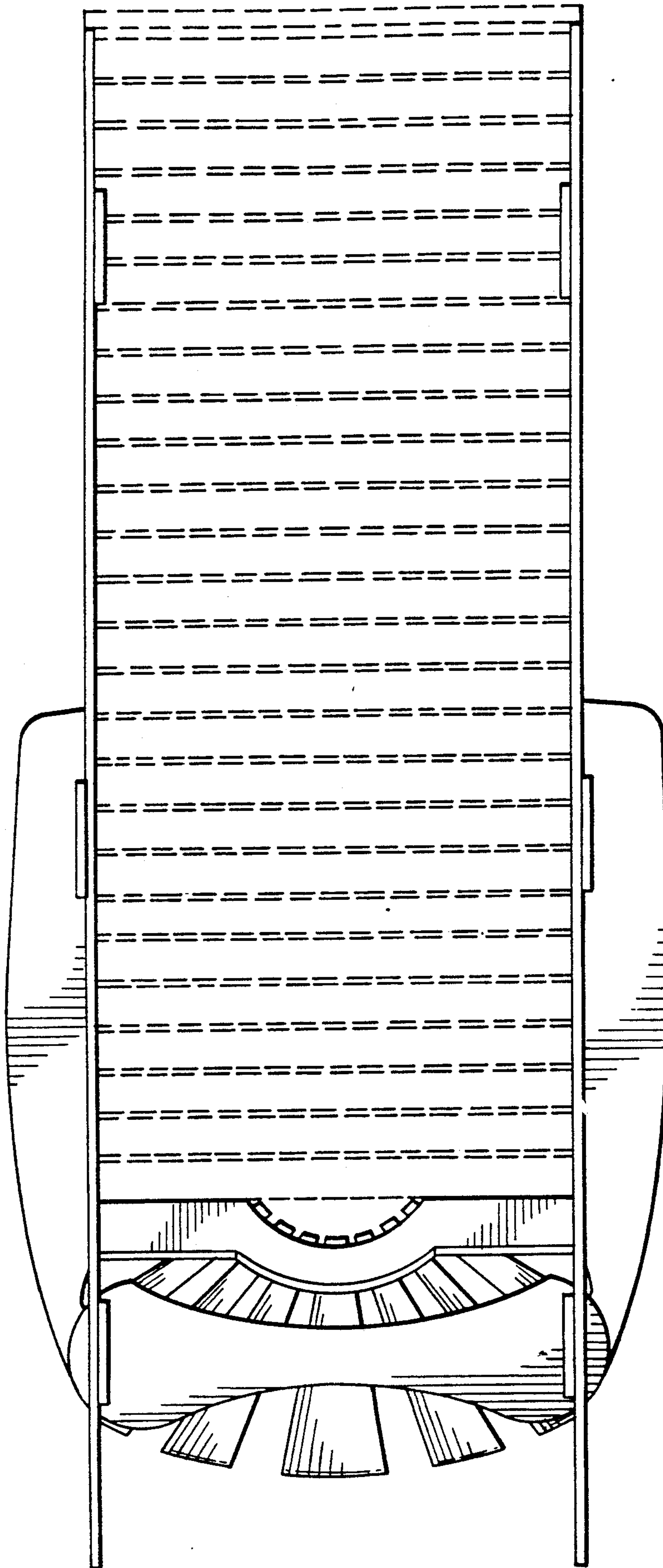


FIG 19

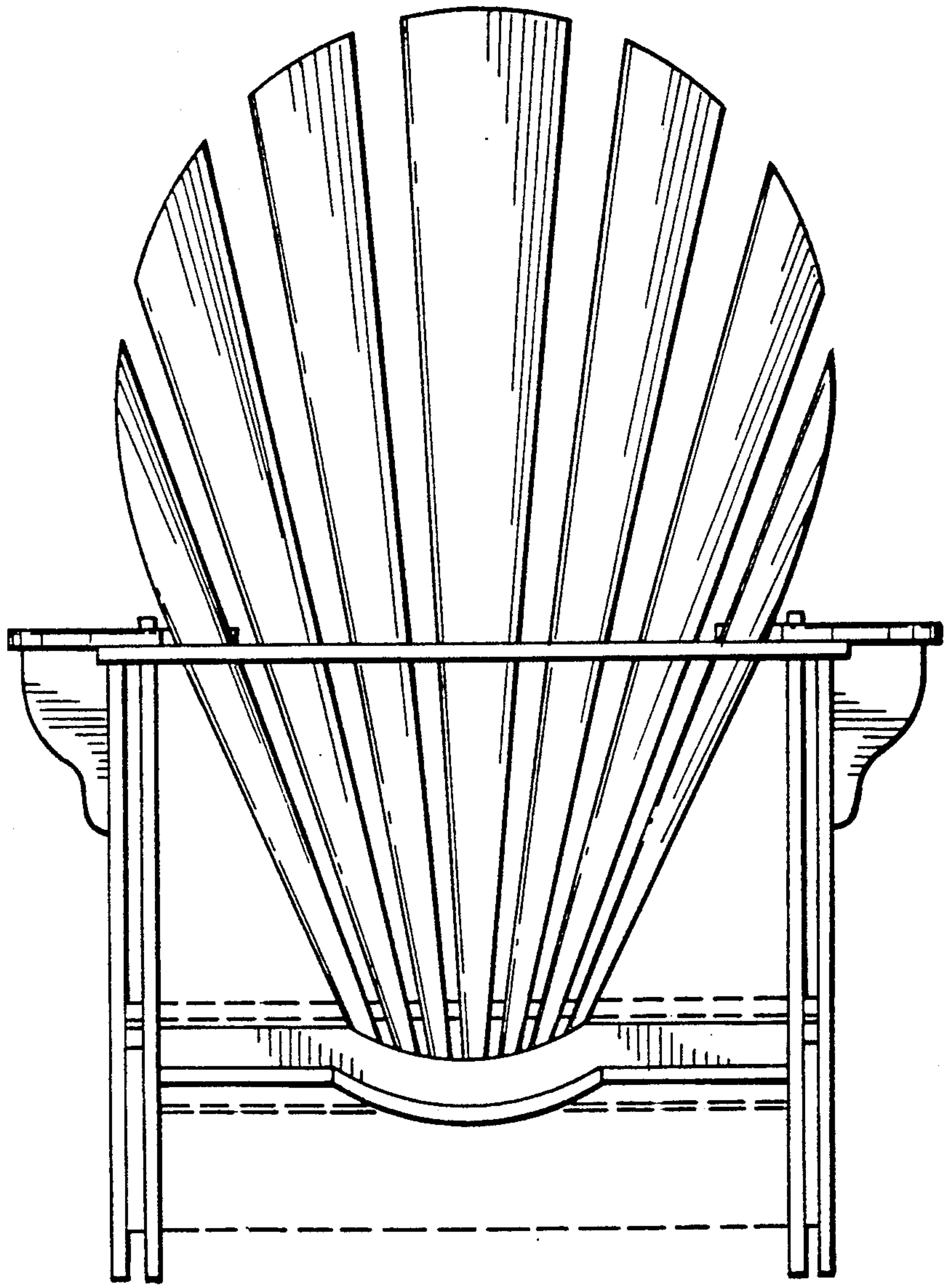


FIG 20