

[54] SEAT

[76] Inventor: Harvey G. Schwartz, 758 N. Orange Dr., Los Angeles, Calif. 90046

[**] Term: 14 Years

[21] Appl. No.: 88,834

[22] Filed: Aug. 24, 1987

[52] U.S. Cl. D6/369; D6/361; D6/379; D6/380

[58] Field of Search D6/369, 370, 381

[56] References Cited

U.S. PATENT DOCUMENTS

D. 258,400	3/1981	Thorpe	D6/369
D. 264,529	5/1982	Olko	D6/369
D. 266,639	10/1982	Thorpe	D6/369
D. 269,483	6/1983	Olko	D6/369
D. 269,655	7/1983	Claman	D6/369
D. 274,870	7/1984	Claman	D6/369
D. 296,626	7/1988	Thorpe	D6/379

OTHER PUBLICATIONS

Willow & Reed Catalog, ©1970, Box C-6-#2, p. 27, Sofa.

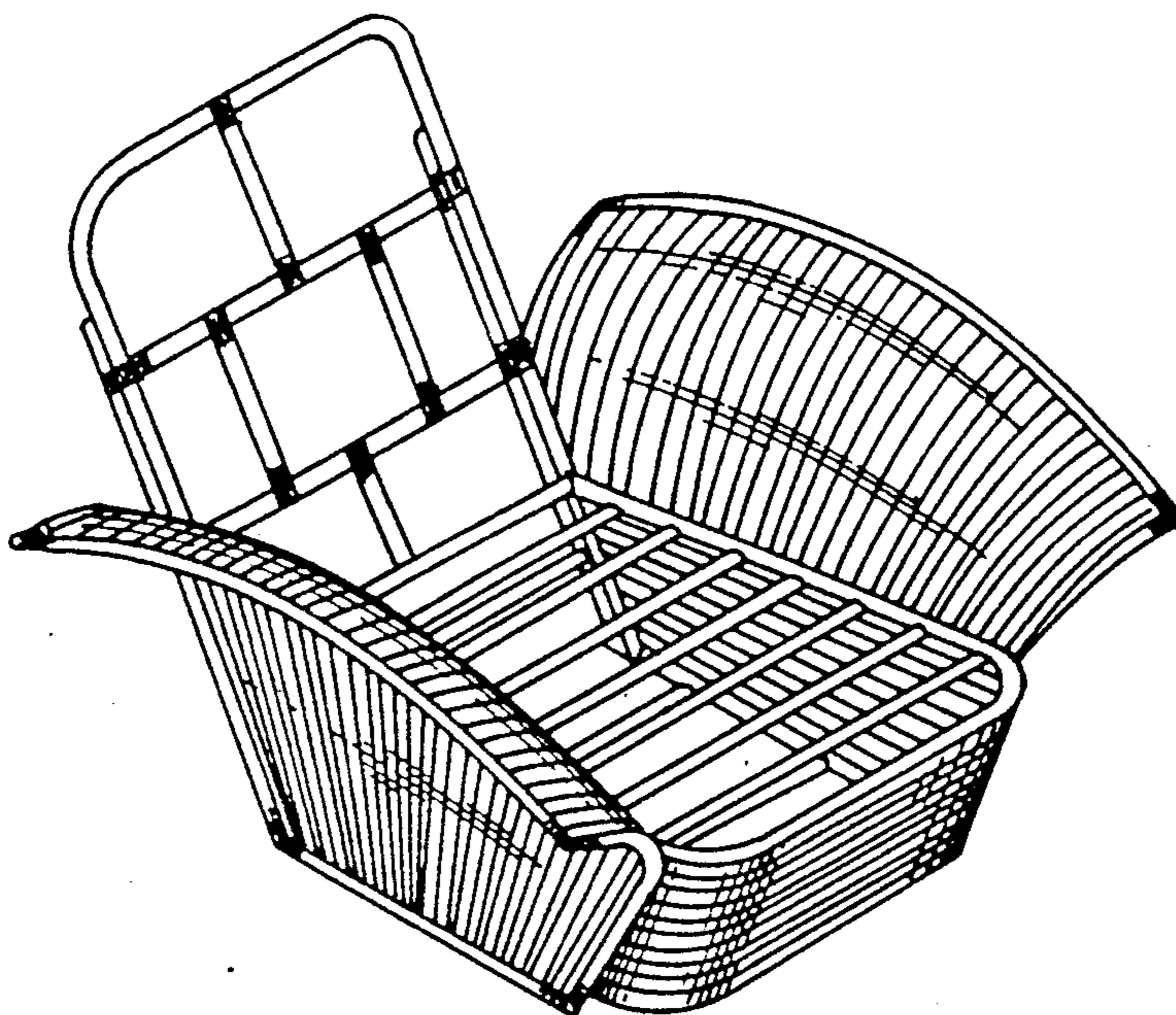
Primary Examiner—Bruce W. Dunkins
Assistant Examiner—Gary D. Watson
Attorney, Agent, or Firm—Charles H. Schwartz;
Ellsworth R. Roston

[57] CLAIM

The ornamental design for seat, as shown and described.

DESCRIPTION

FIG. 1 is a front perspective view of a seat showing my new design in the form of an arm chair;
FIG. 2 is a side elevational view thereof;
FIG. 3 is a rear elevational view thereof;
FIG. 4 is a bottom plan view thereof;
FIG. 5 is a side elevational view of the seat shown in FIG. 1 but wherein the chair has a single arm;
FIG. 6 is a modified form of the FIG. 1 seat shown in the form of a chaise lounge;
FIG. 7 is a side elevational view thereof;
FIG. 8 is a bottom plan view thereof, and;
FIG. 9 is a rear elevational view thereof.



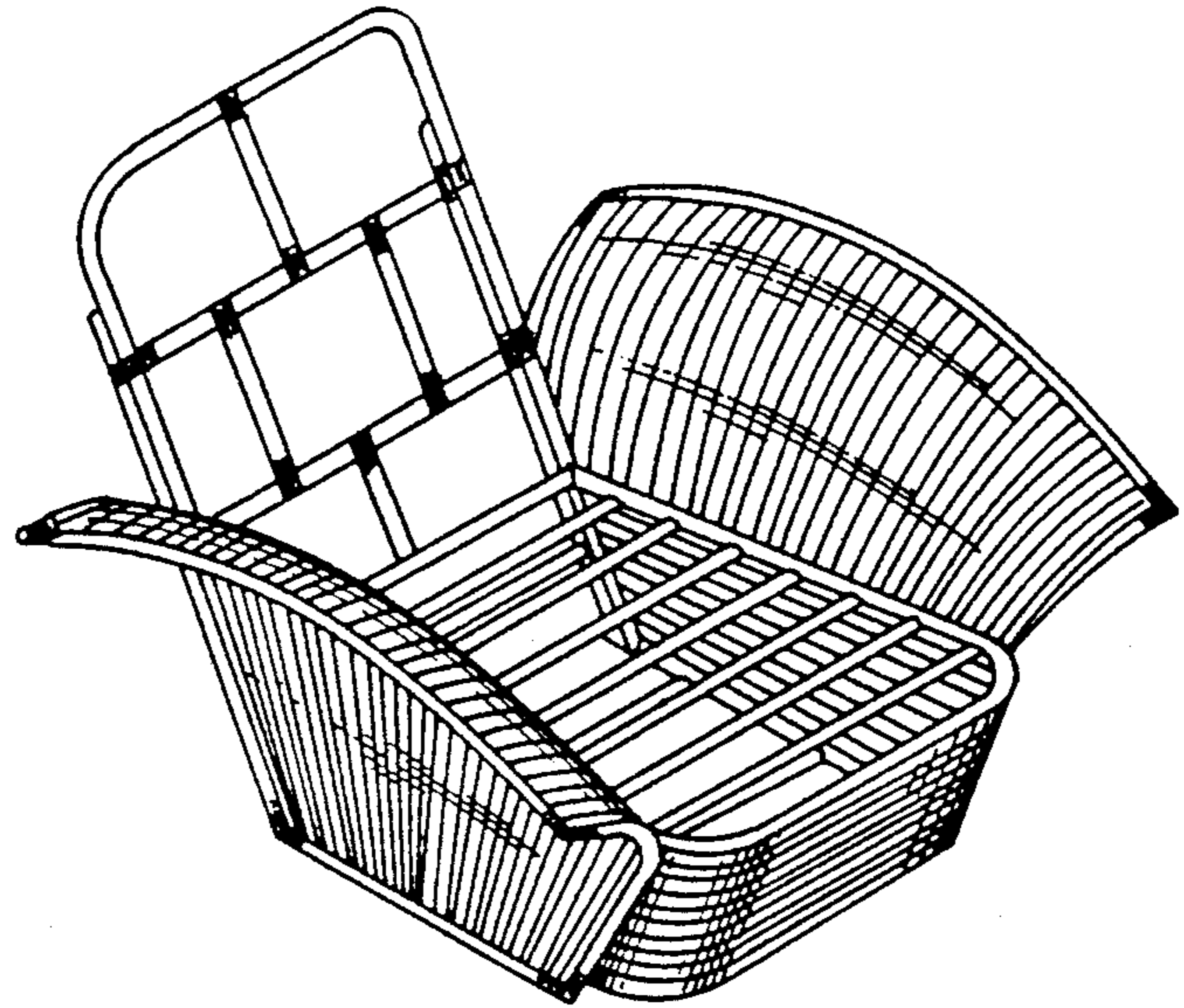


FIG. 1

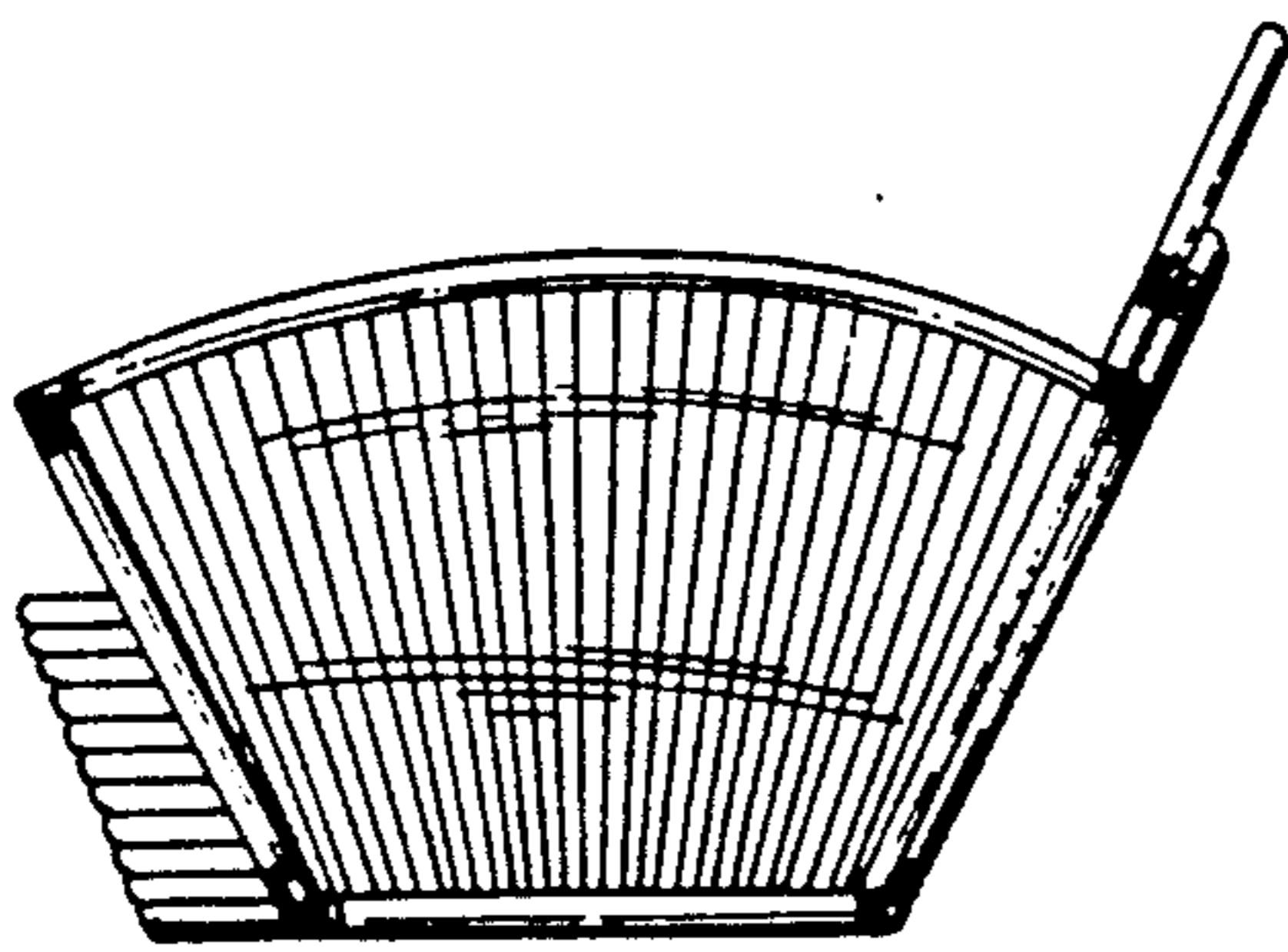


FIG. 2

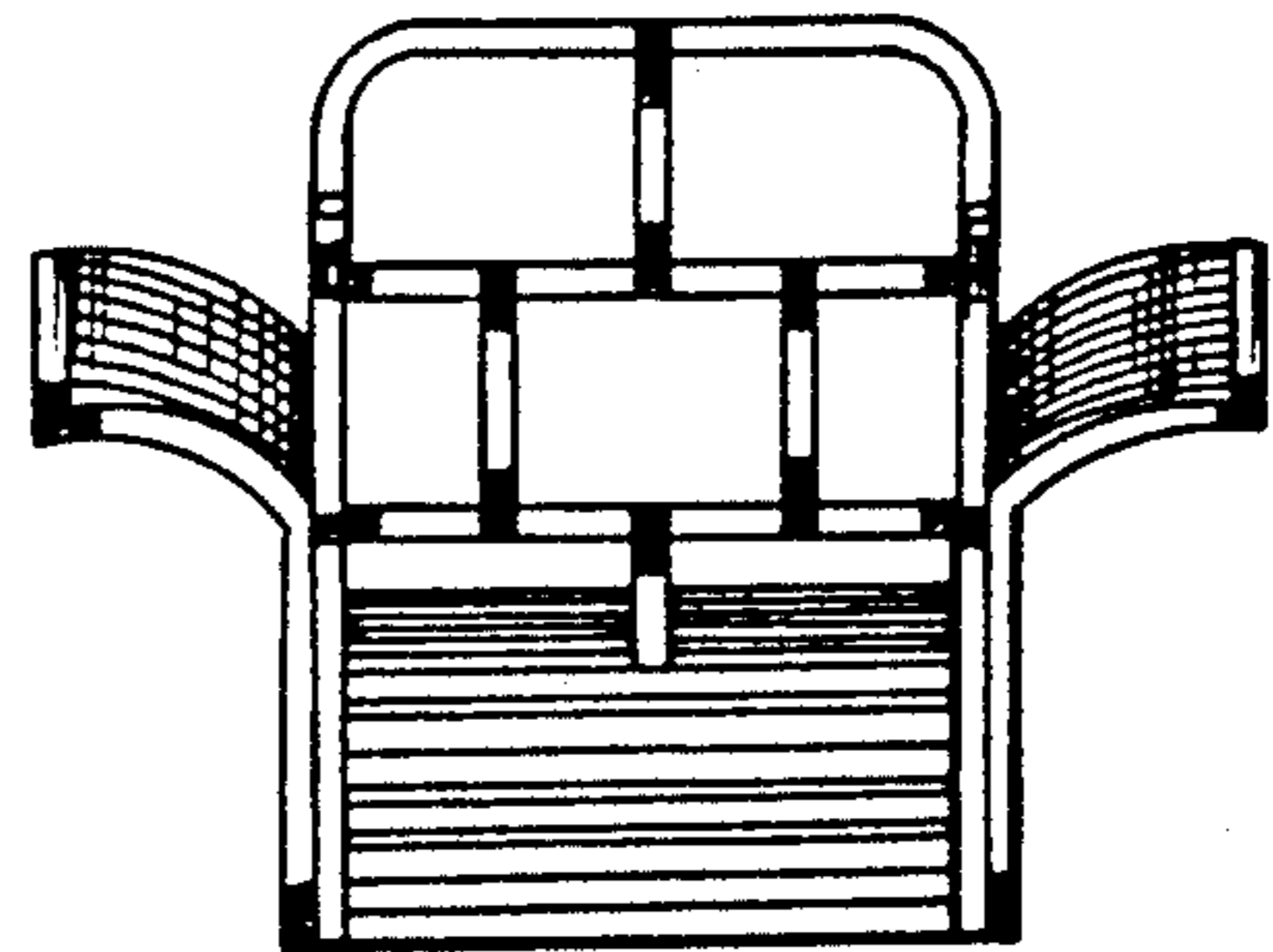


FIG. 3

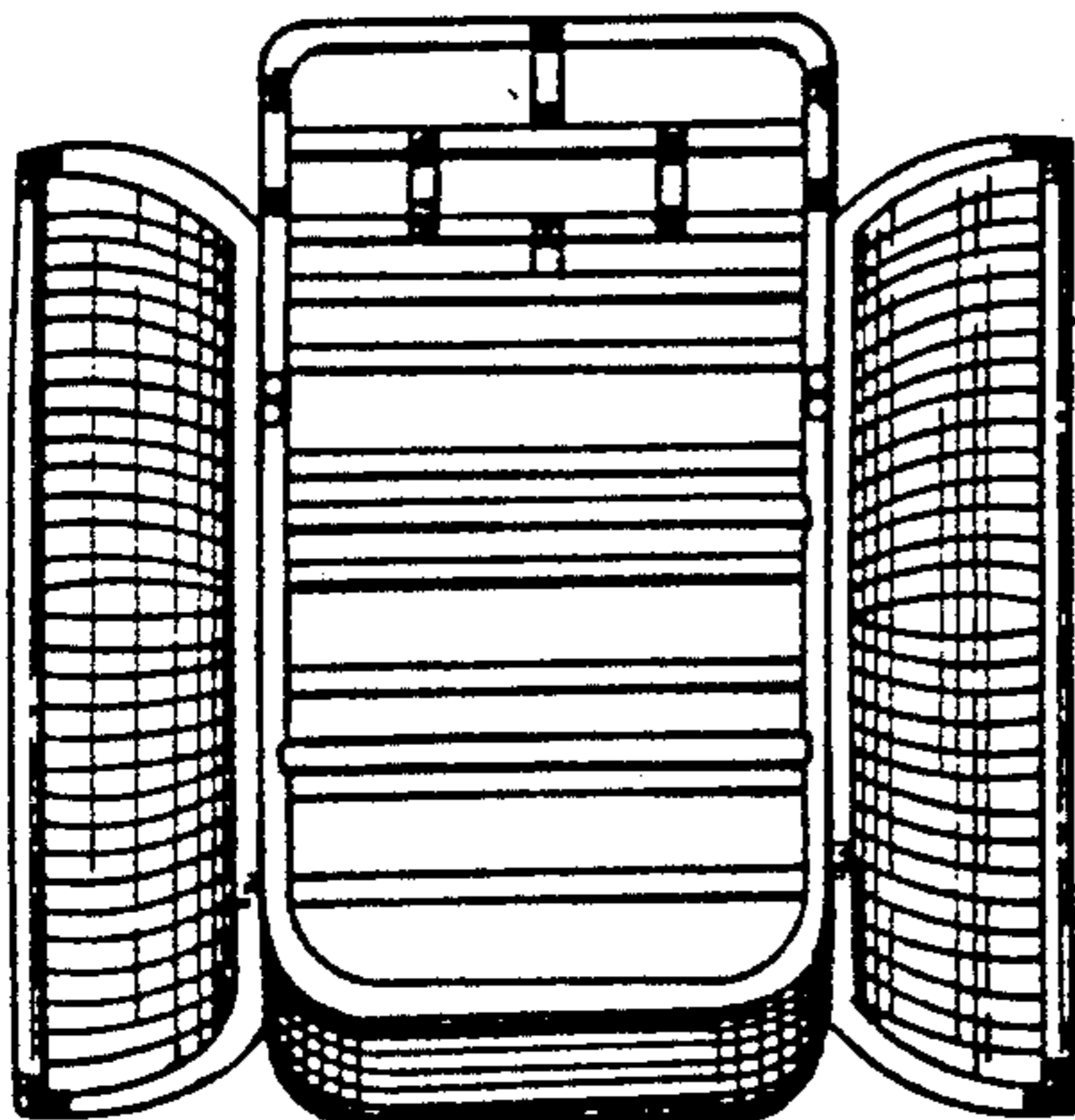


FIG. 4

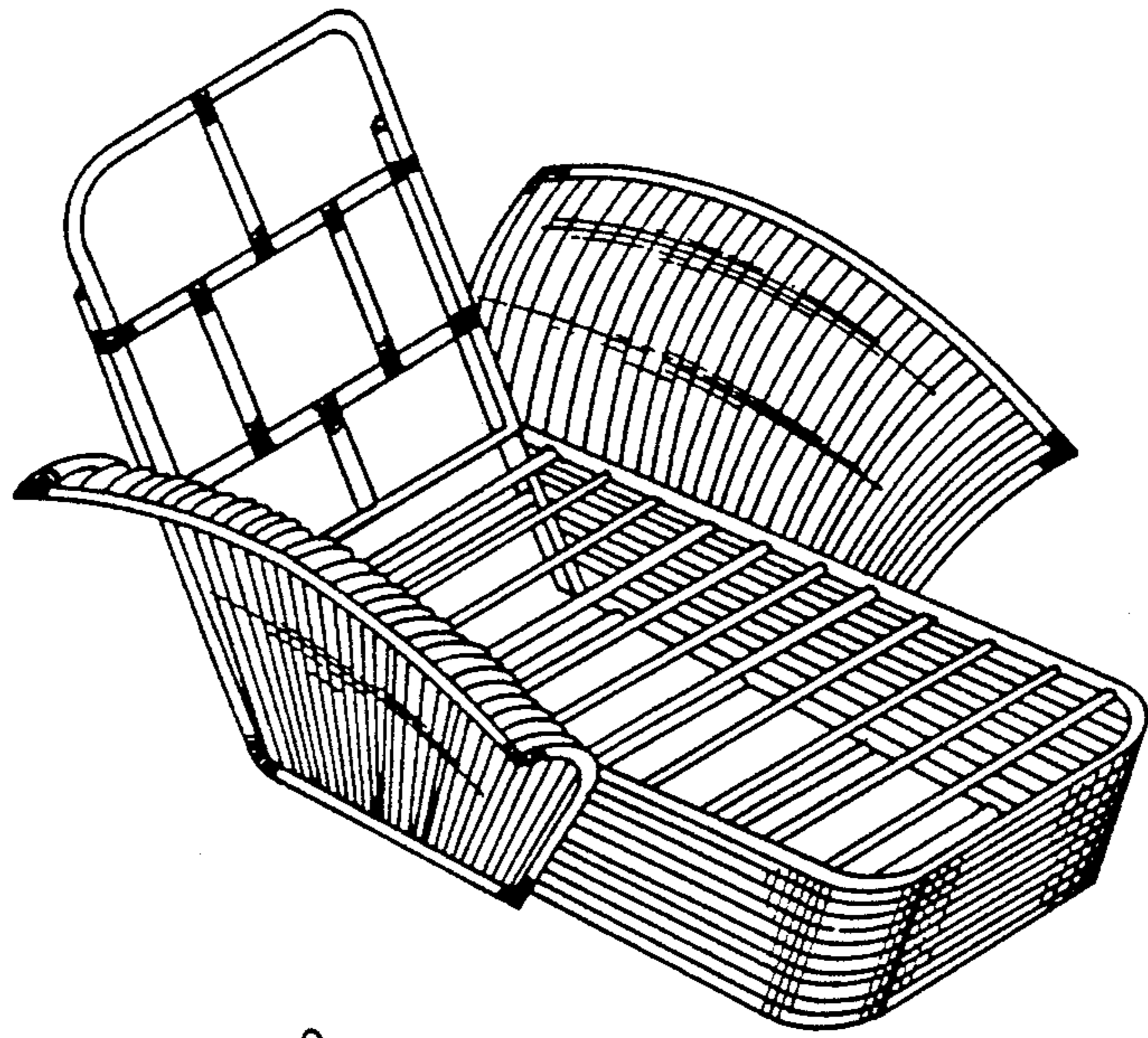


FIG. 6

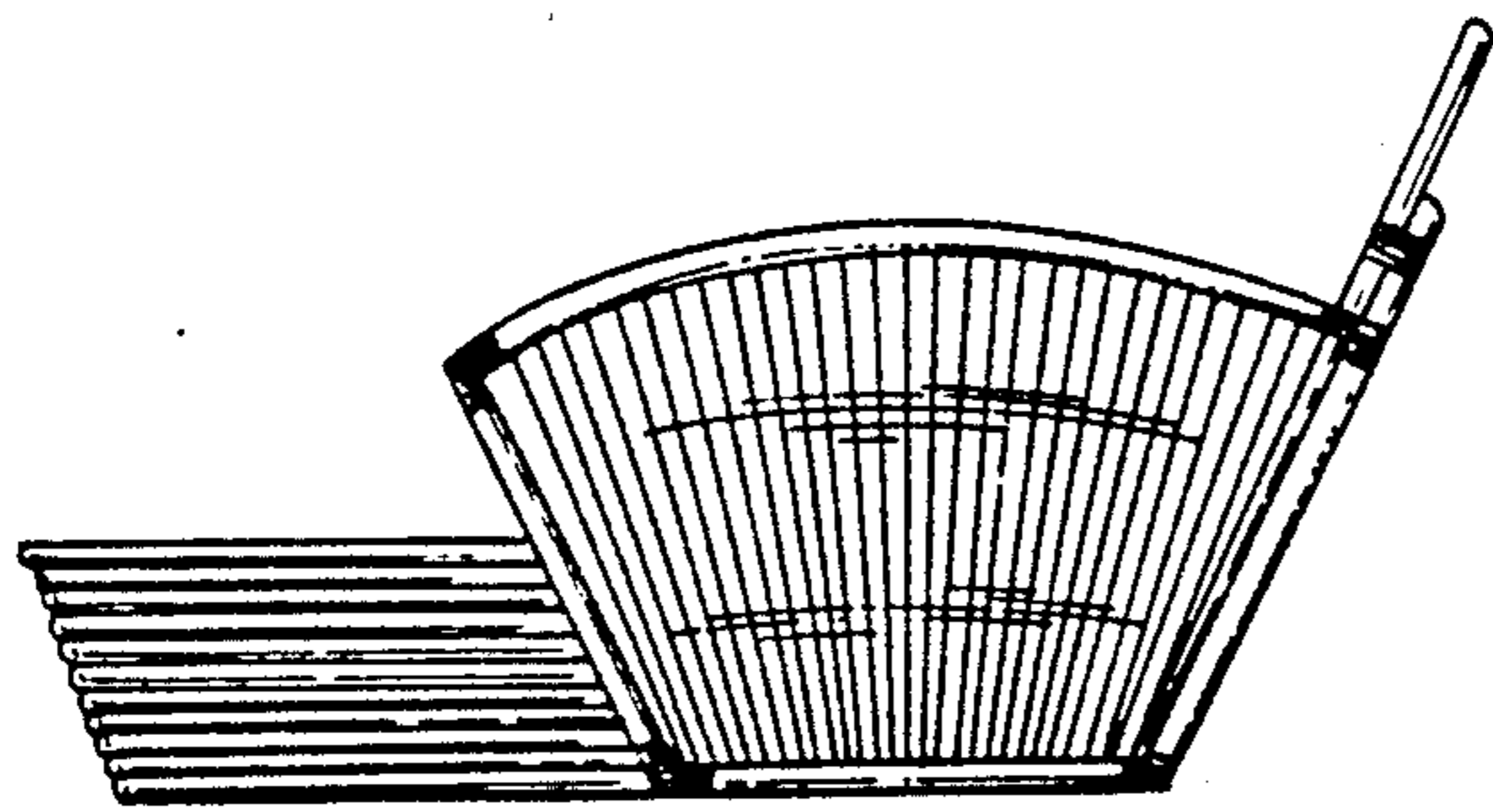


FIG. 7

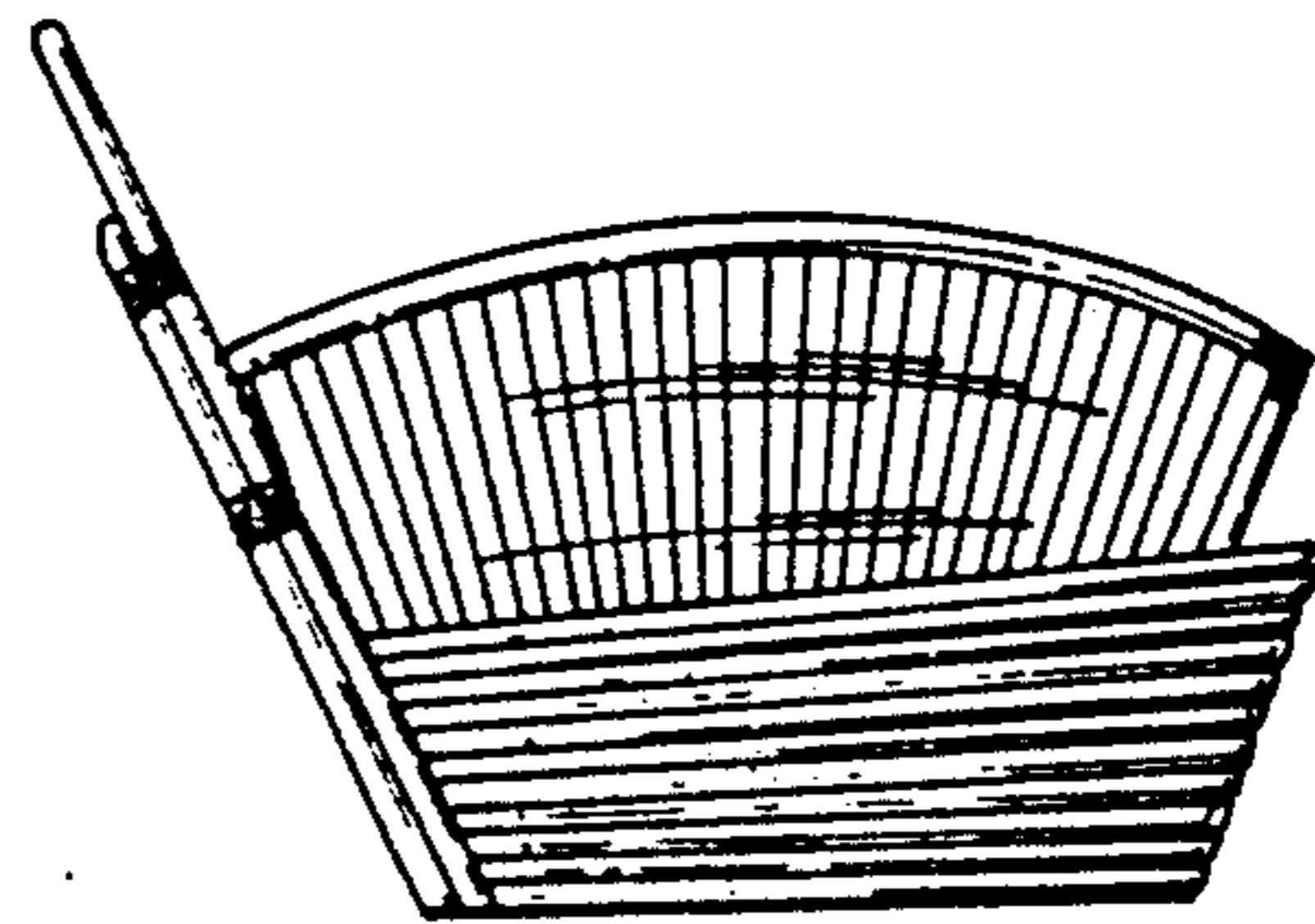


FIG. 5

FIG. 8

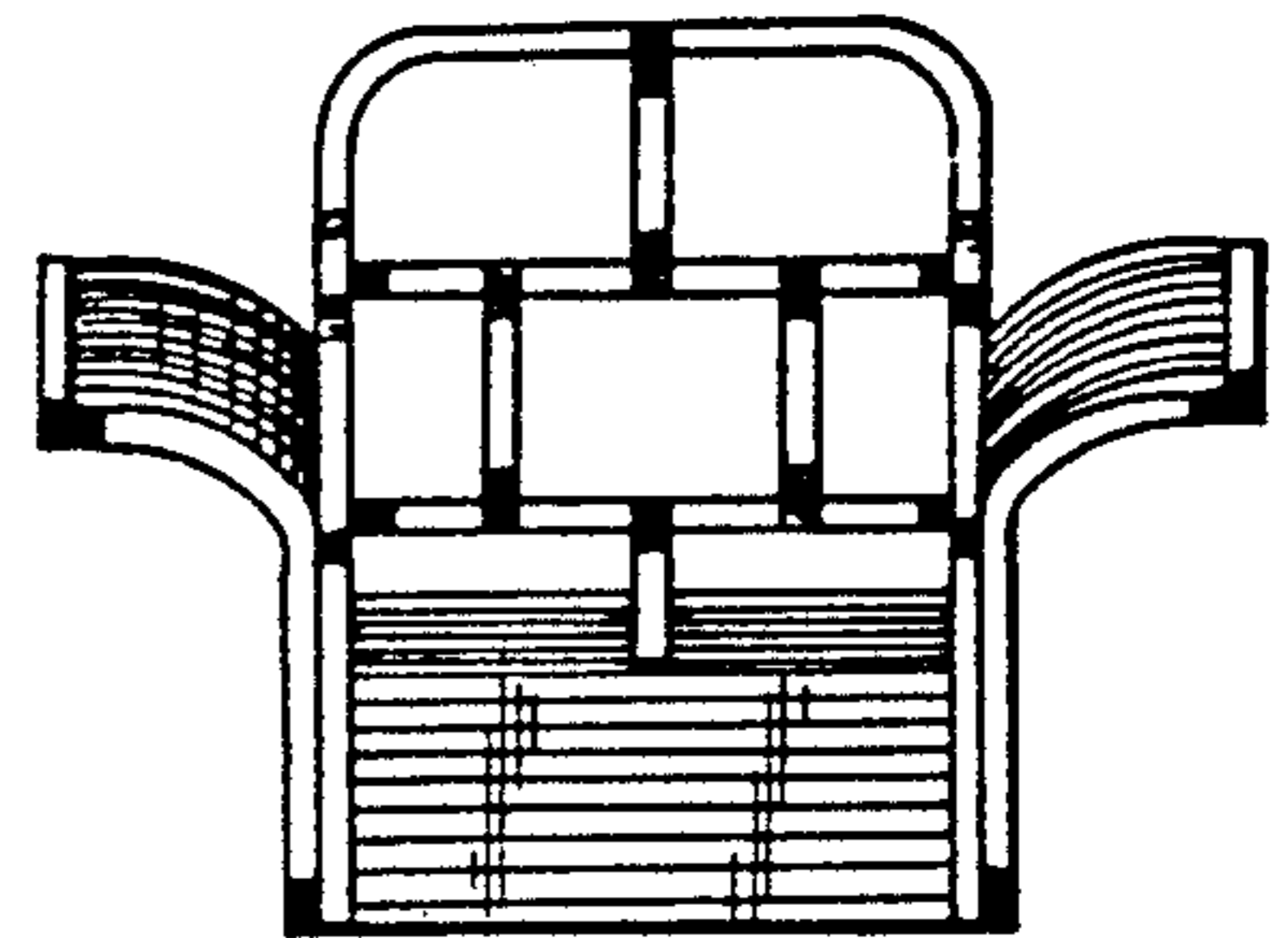
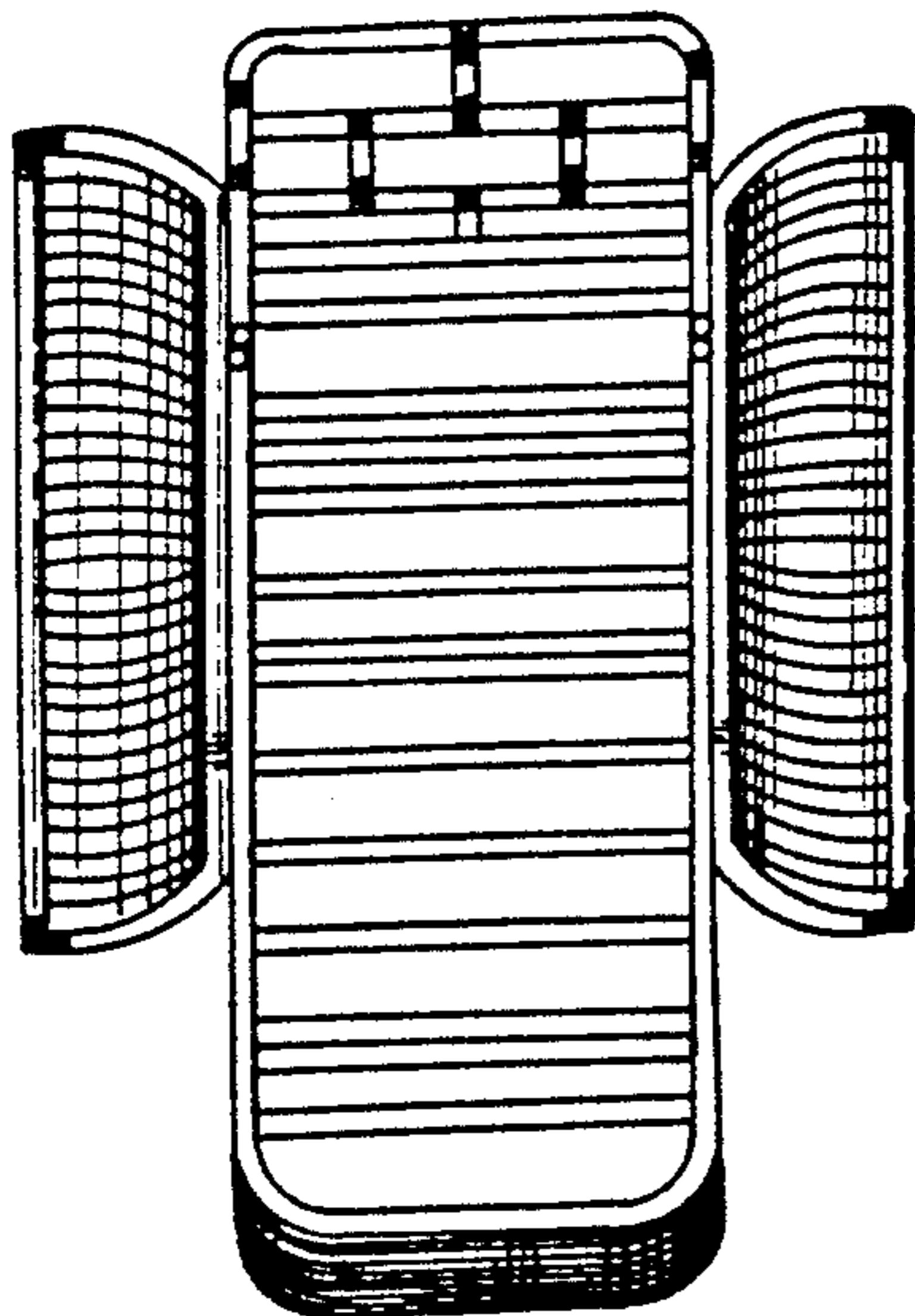


FIG. 9