

- [54] CUP SHAPED SOLE
- [75] Inventors: Tinker L. Hatfield; Wilson W. Smith, both of Portland, Oreg.
- [73] Assignees: Nike, Inc.; Nike International Ltd., Beaverton, Oreg.
- [\*\*] Term: 14 Years
- [21] Appl. No.: 538,501
- [22] Filed: Jun. 15, 1990
- [52] U.S. Cl. .... D2/320
- [58] Field of Search ..... D2/264, 265, 274, 308-314, D2/317-321; 36/11.5, 25 R, 28, 29, 30 R, 32 R, 59 R, 59 S, 101-106, 112-116, 132, 136

Fall 1987 Nike Catalog, even pp. 60-66 (Published 1/1988).  
 Fall 1987 Nike Catalog, even pp. 50-54 (Published 1/1987).

Primary Examiner—Louis S. Zarfaz  
 Attorney, Agent, or Firm—Banner, Birch, McKie & Beckett

[57] CLAIM

The ornamental design for a cup shaped sole, as shown and described.

DESCRIPTION

FIG. 1 is a bottom plan view of the cup shaped sole showing our new design;  
 FIG. 2 is a side elevational view of one side of a cup shape sole shown in FIG. 1;  
 FIG. 3 is a side elevational view of the other side of the cup shaped sole shown in FIG. 1;  
 FIG. 4 is a front elevational view of the cup shaped sole shown in FIG. 1;  
 FIG. 5 is a rear elevational view of the cup shaped sole shown in FIG. 1;  
 FIG. 6 is a cross-sectional view as shown in section 6-6 of FIG. 1;  
 FIG. 7 is a cross-sectional view as shown in section 7-7 of FIG. 1;  
 FIG. 8 is a cross-sectional view as shown in section 8-8 of FIG. 1;  
 FIG. 9 is a cross-sectional view as shown in section 9-9 of FIG. 2;  
 The broken line showing of a shoe upper is for illustrative purposes only and forms no part of the claimed design.

[56] References Cited

U.S. PATENT DOCUMENTS

D. 266,371	10/1982	Stubblefield	.....	D2/320
D. 270,870	10/1983	Tilles	.....	D2/309
D. 287,304	12/1986	Peterson	.....	D2/320
D. 287,784	1/1987	Tong et al.	.....	D2/320
D. 291,146	8/1987	Selbiger	.....	D2/320
D. 296,151	6/1988	Mourad	.....	D2/320
D. 299,681	2/1989	Miller et al.	.....	D2/320
D. 303,451	9/1989	Weiner	.....	D2/313
D. 313,113	12/1990	Aveni	.....	D2/320

OTHER PUBLICATIONS

Spring 1990 Nike Catalog, pp. 6, 22 and even pp. 58-66 (Published 6/1989).  
 Fall 1989 Nike Catalog, even pp. 54-60, 134, 136, 140 (Published 1/1989).

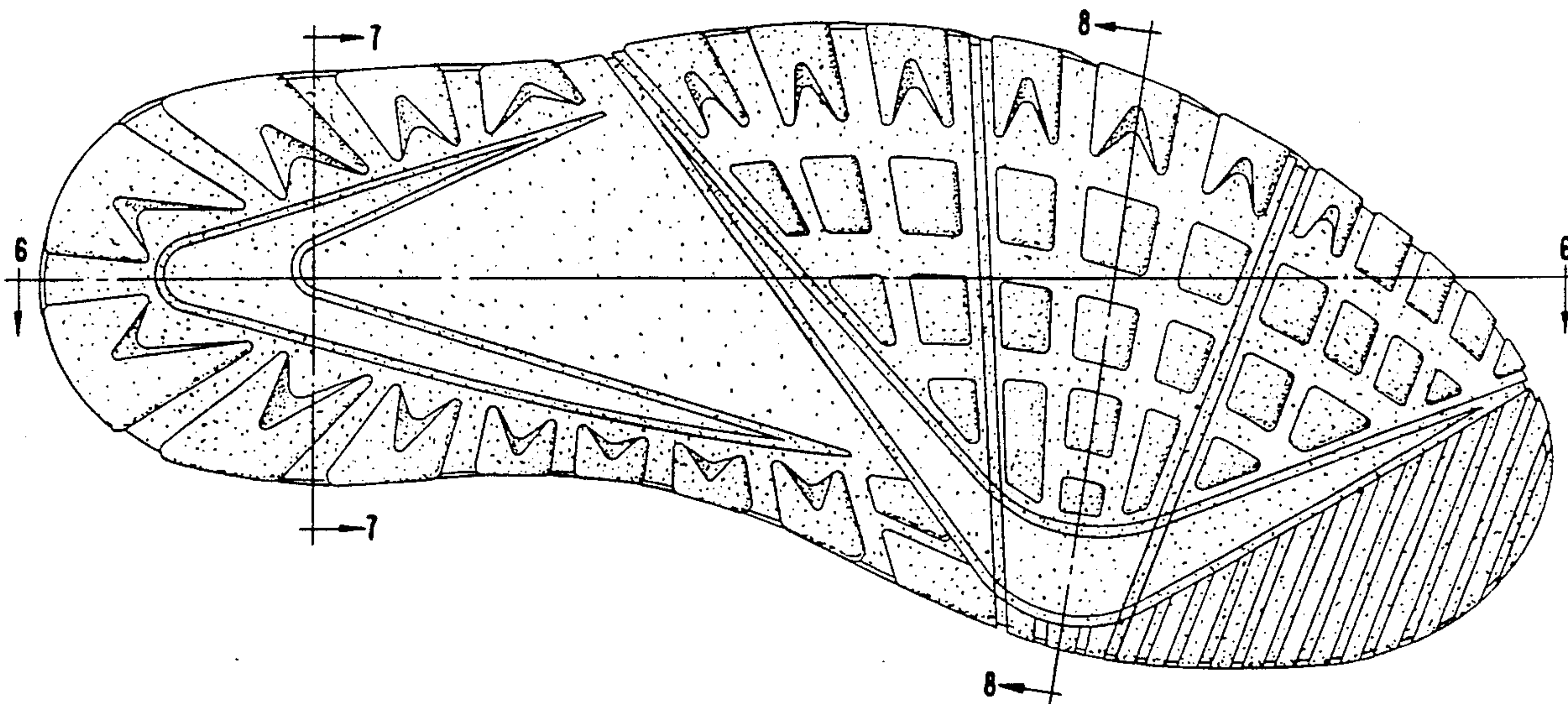


FIG. 1

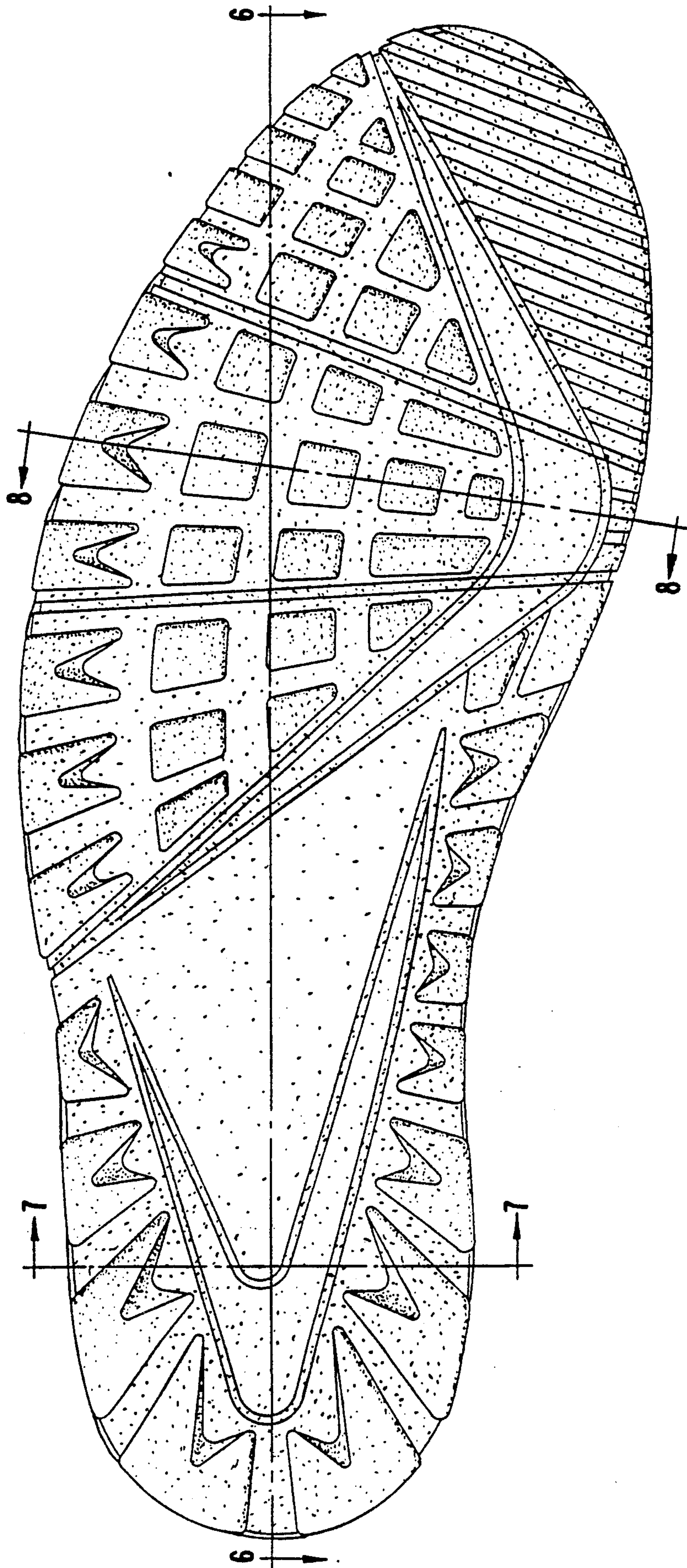




FIG. 2

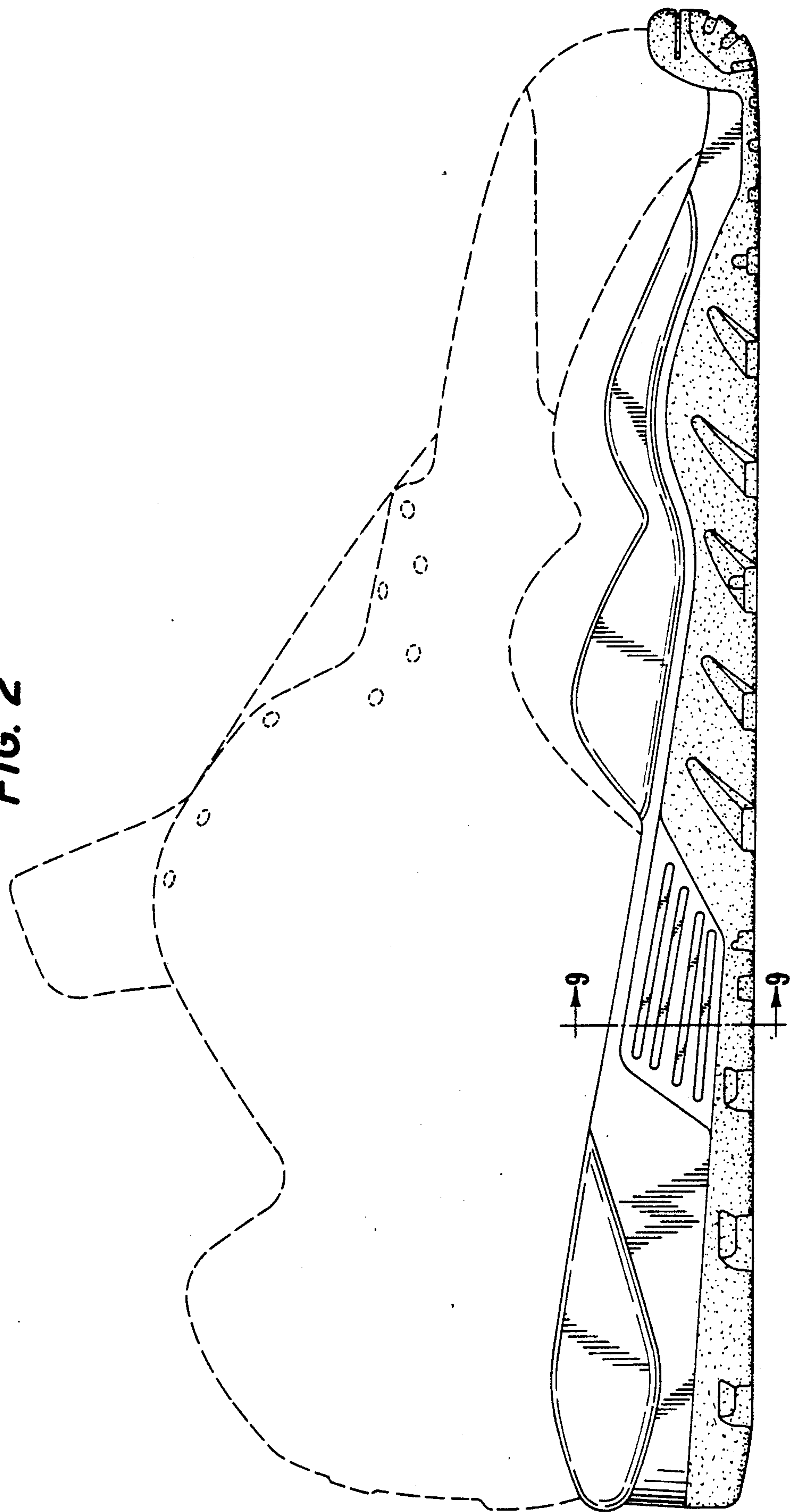


FIG. 3

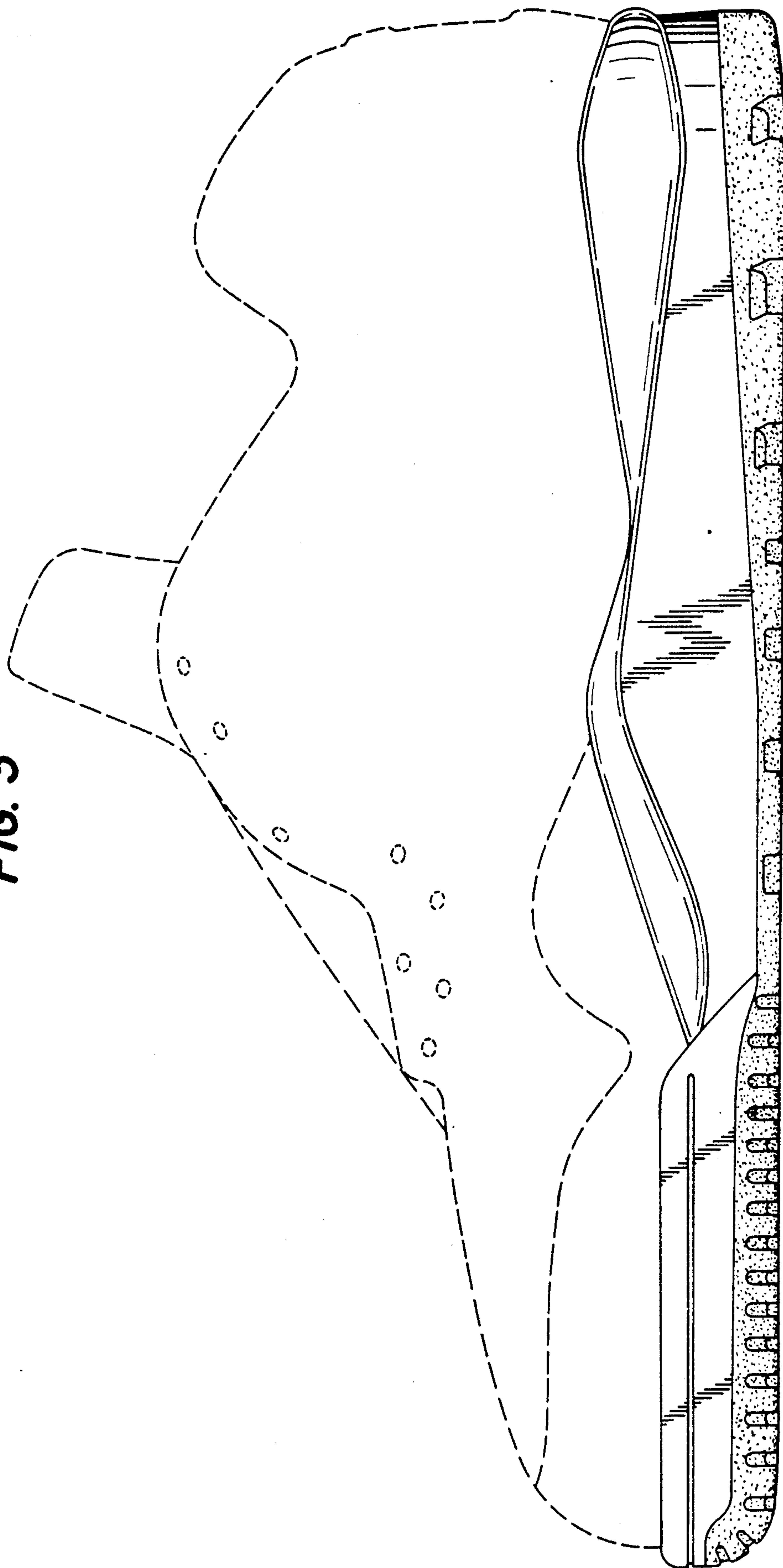


FIG. 5

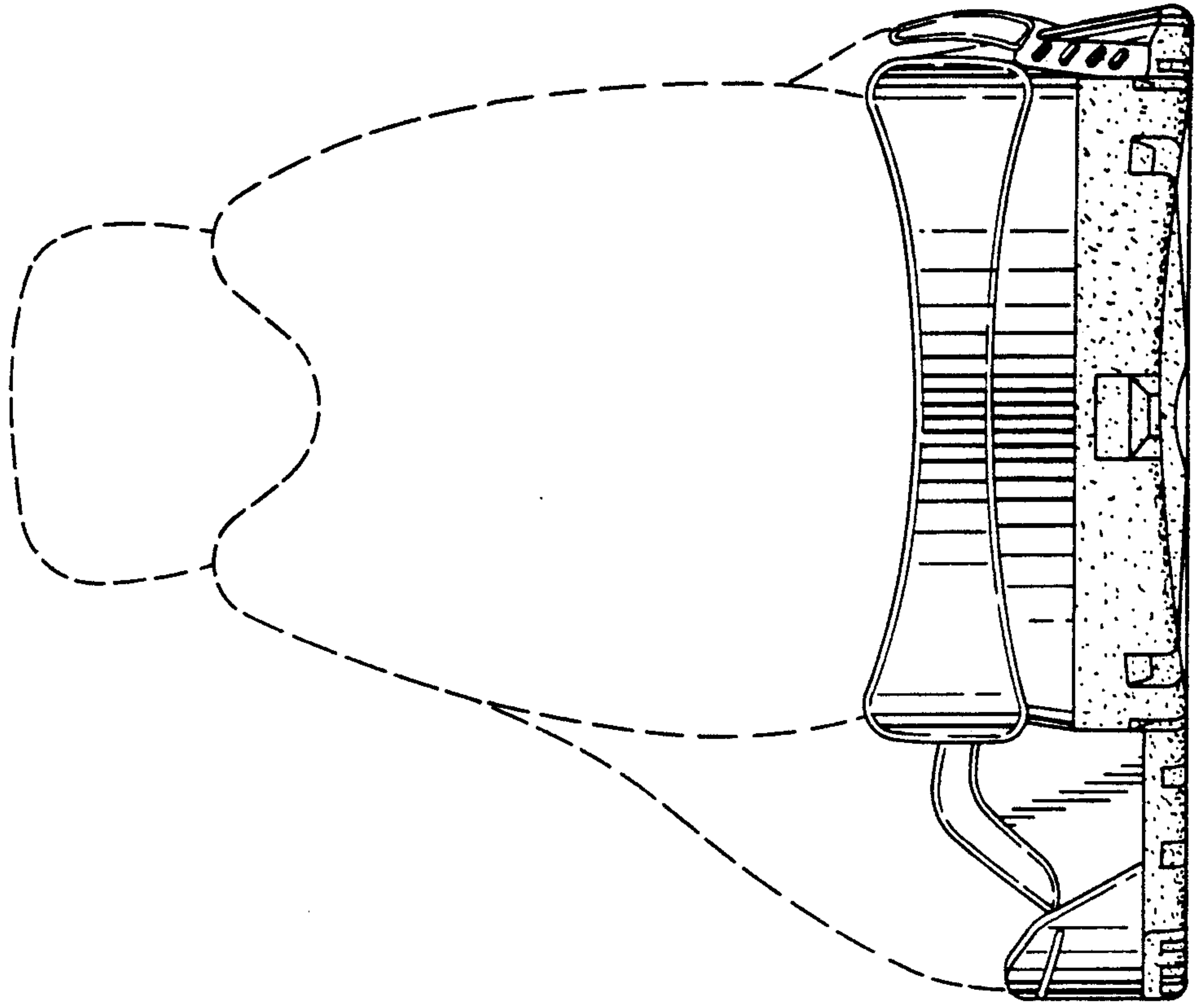


FIG. 4

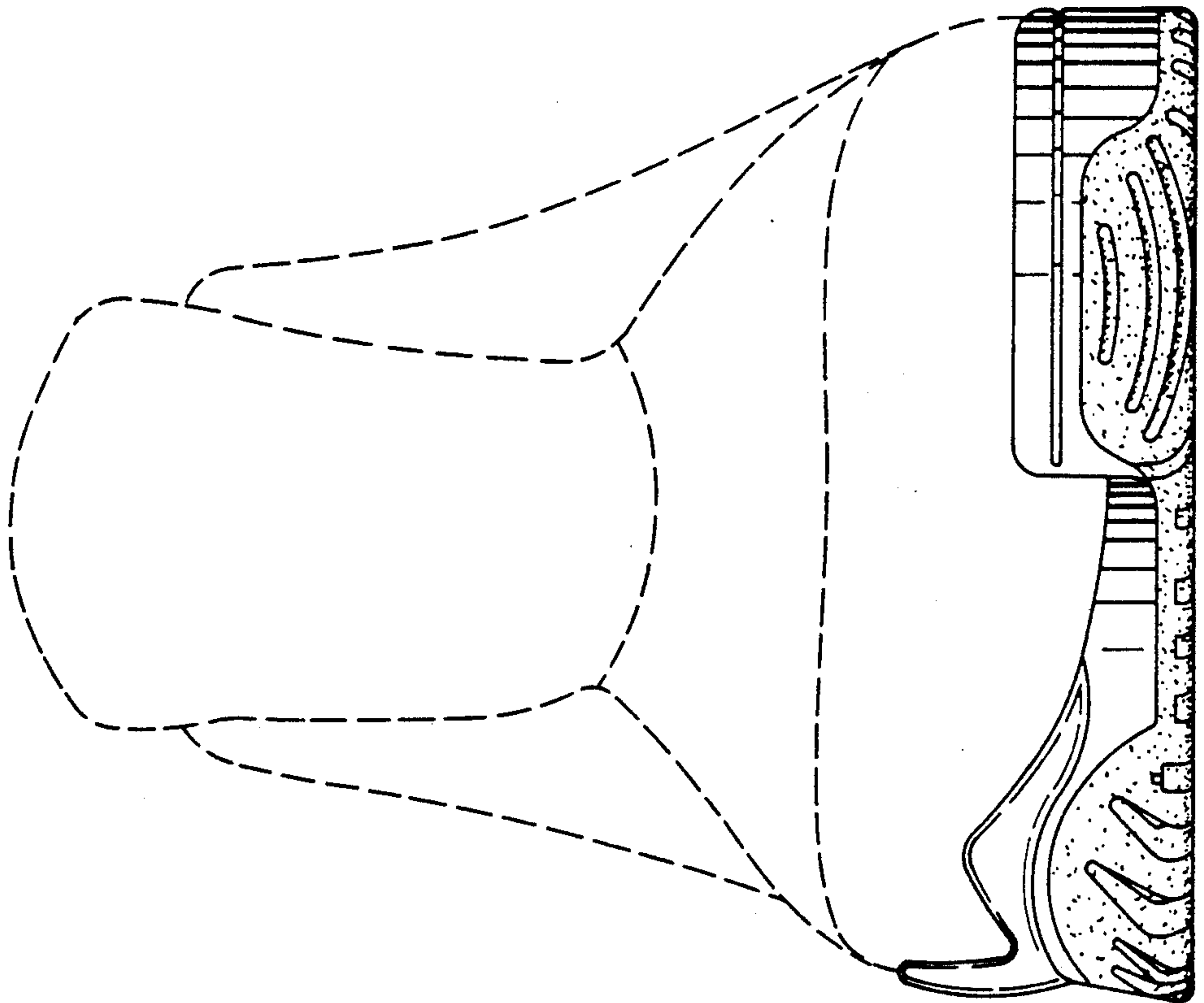


FIG. 6



FIG. 7



FIG. 8



FIG. 9

