

United States Patent [19]

Sanders et al.

[11] Patent Number: **Des. 319,327**

[45] Date of Patent: **** Aug. 20, 1991**

[54] **GOLF CART**

[75] Inventors: **Mark A. Sanders, Windsor; Derek D. Roberts, Holyport, both of England**

[73] Assignee: **Acushnet Limited, United Kingdom**

[**] Term: **14 Years**

[21] Appl. No.: **194,717**

[22] Filed: **May 17, 1988**

[30] **Foreign Application Priority Data**

Nov. 18, 1987 [GB] United Kingdom 1046423

[52] U.S. Cl. **D34/15**

[58] Field of Search **D34/15, 12; 280/DIG. 6, 280/DIG. 5, 646, 652; 180/19.1; 248/96**

[56] **References Cited**

U.S. PATENT DOCUMENTS

D. 302,616 8/1989 Hartmann D34/15

3,167,146 1/1965 Rudolph 280/DIG. 5
3,172,681 3/1965 Moses D34/15
3,820,617 6/1974 Groff 280/DIG. 5
4,142,736 3/1979 Ackerfeldt et al. 280/DIG. 6

Primary Examiner—Kay H. Chin
Attorney, Agent, or Firm—Lucas & Just

[57] CLAIM

The ornamental design for a golf cart, as shown and described.

DESCRIPTION

FIG. 1 is a left side elevational view of a golf cart showing our new design, the right side elevational view being a mirror image of that shown;
FIG. 2 is a front elevational view thereof;
FIG. 3 is a top plan view thereof;
FIG. 4 is a side elevational view thereof in its folded condition;
FIG. 5 is a front perspective view thereof; and
FIG. 6 is a rear view thereof.

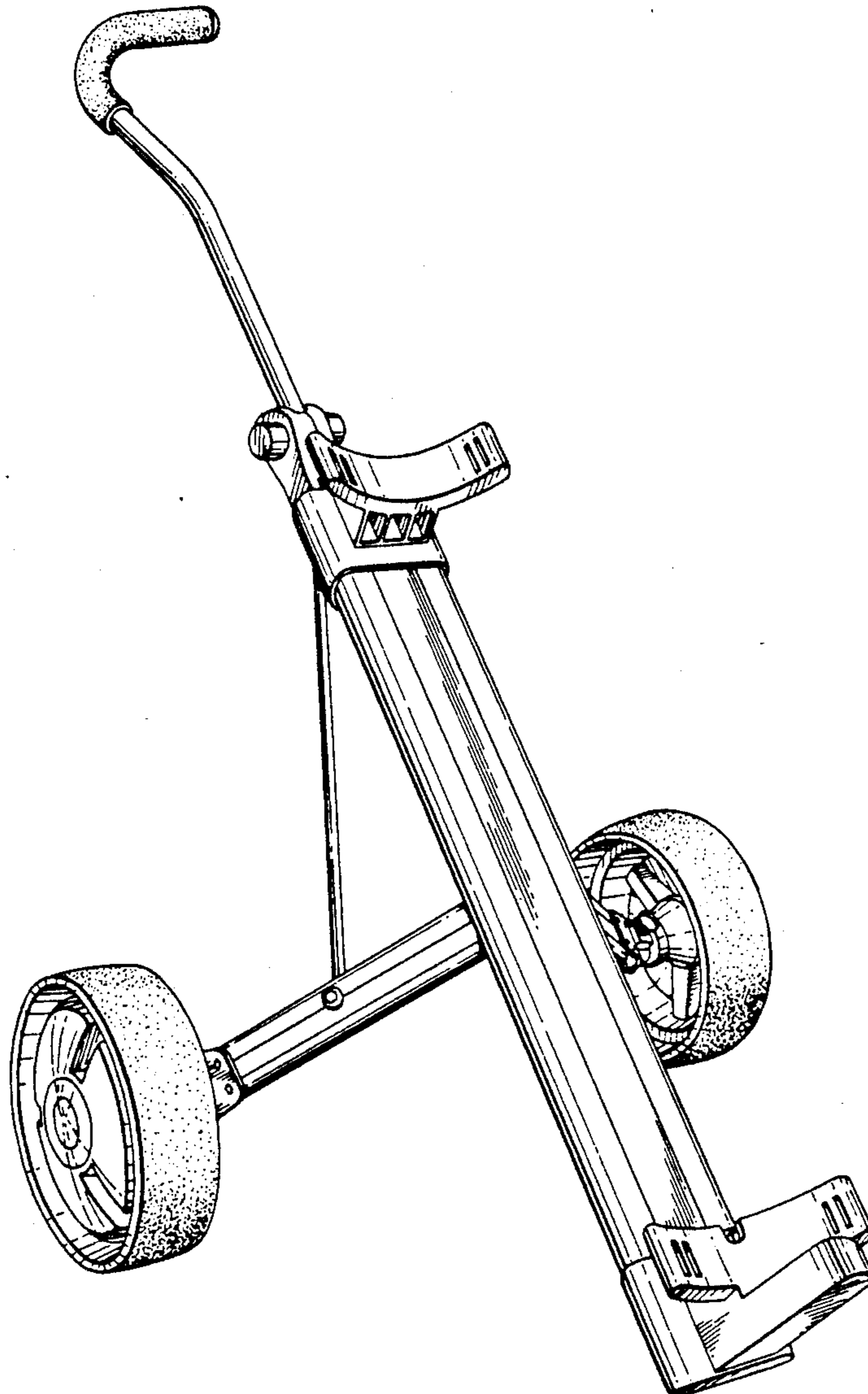


Fig.1.

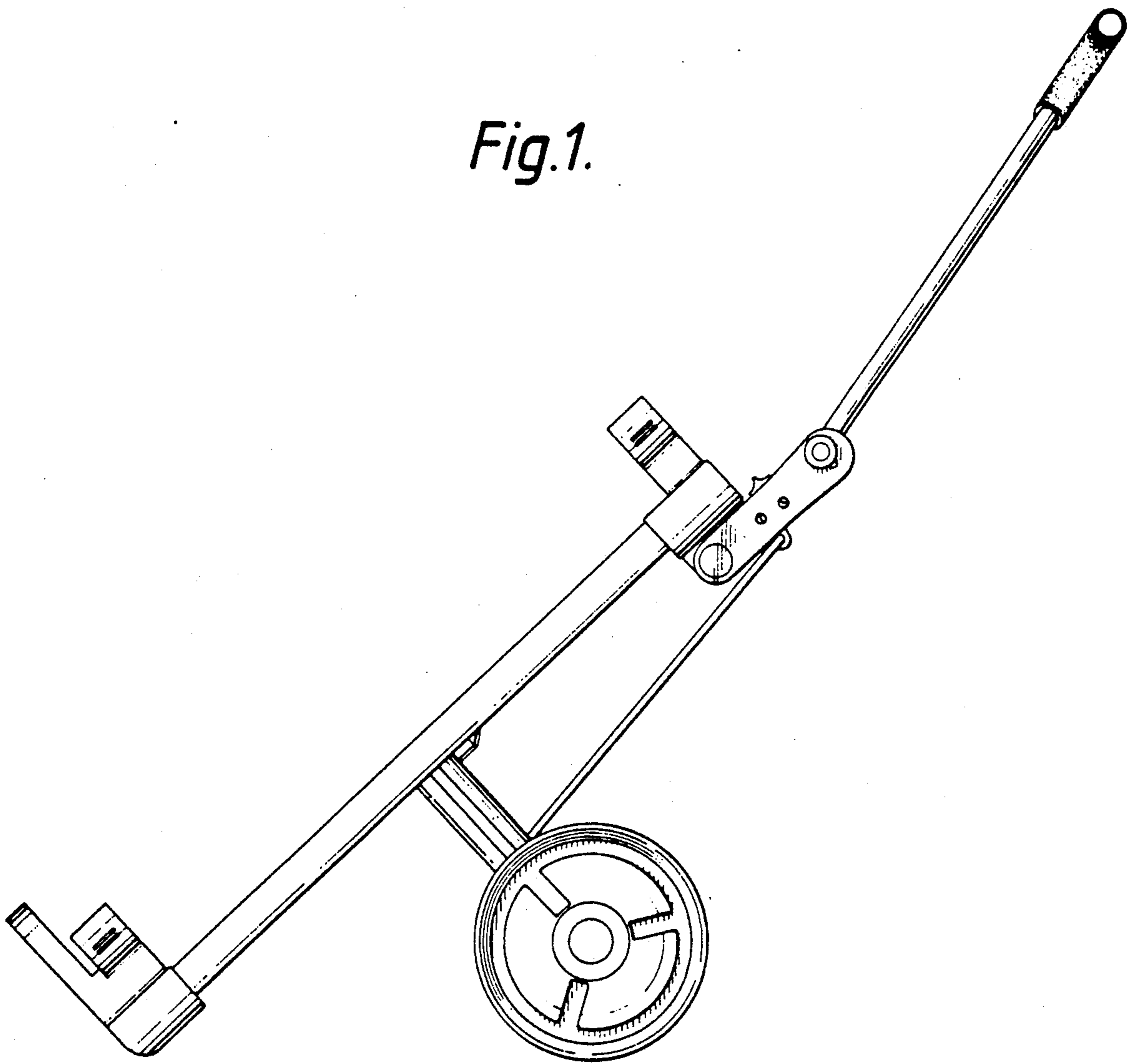


Fig. 2.

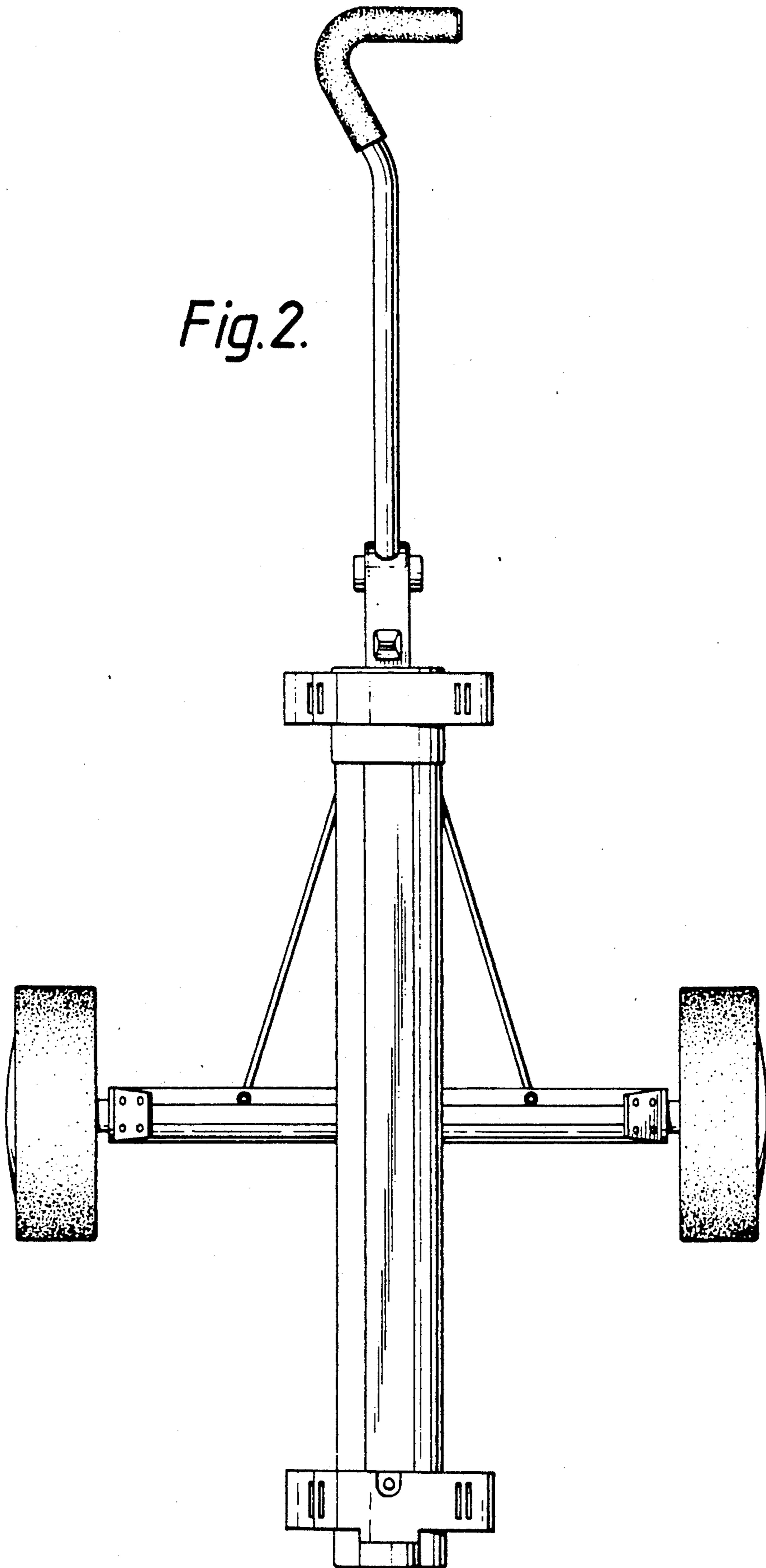


Fig.3.

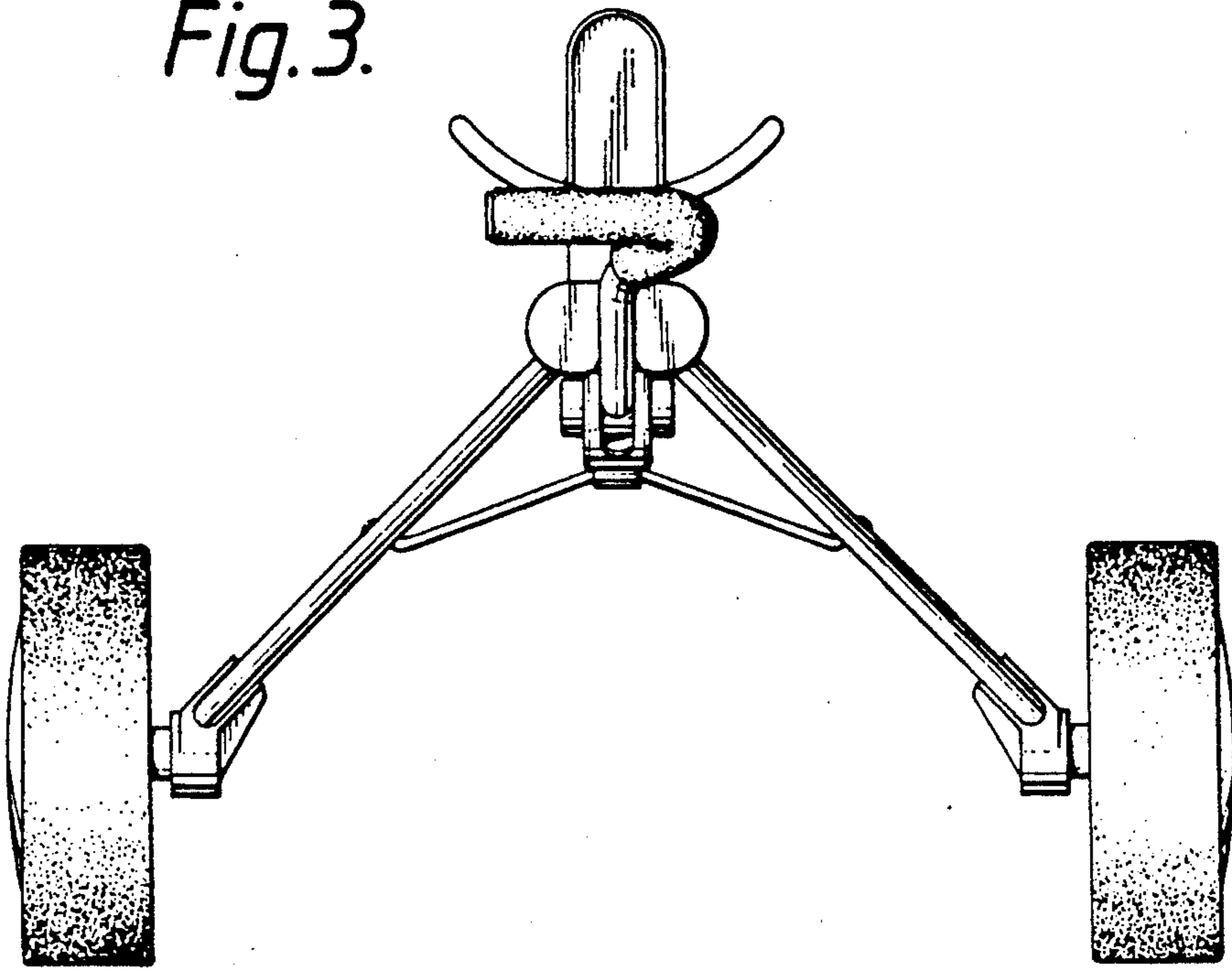
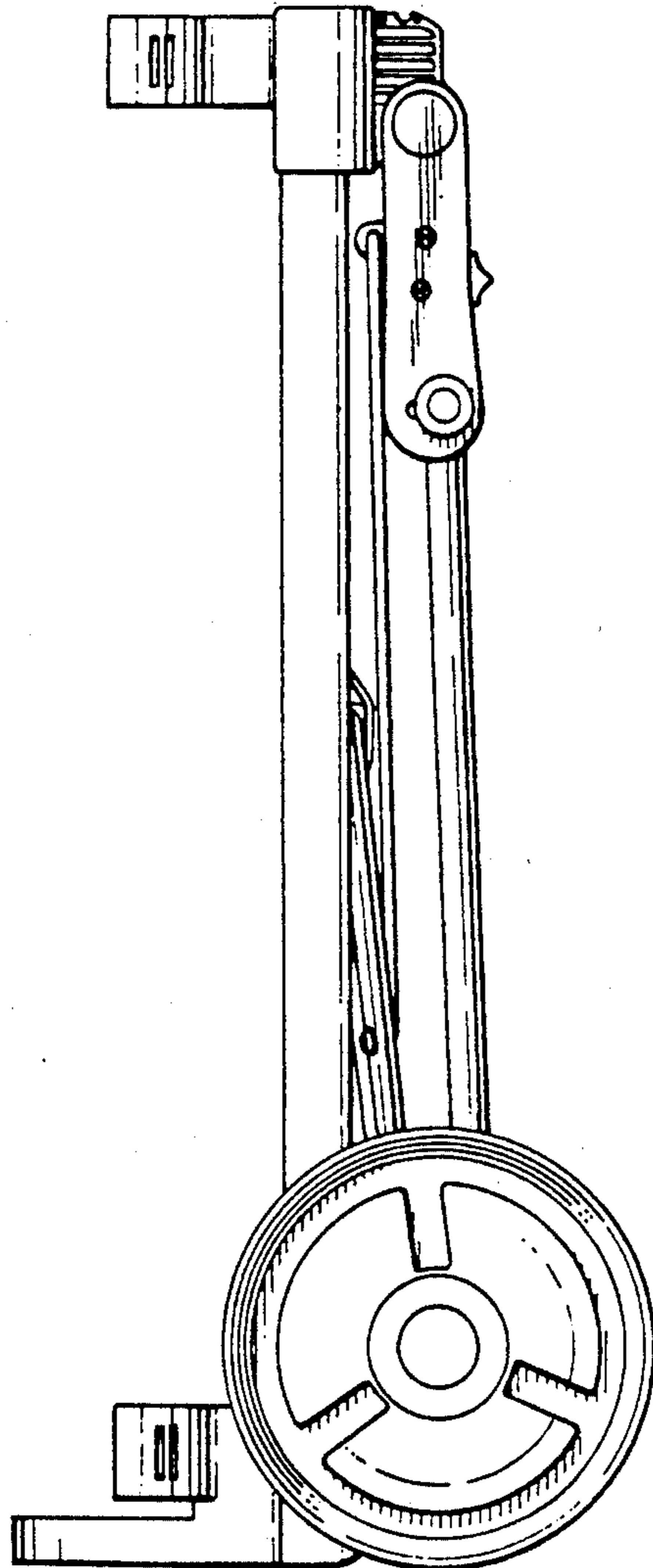


Fig.4.



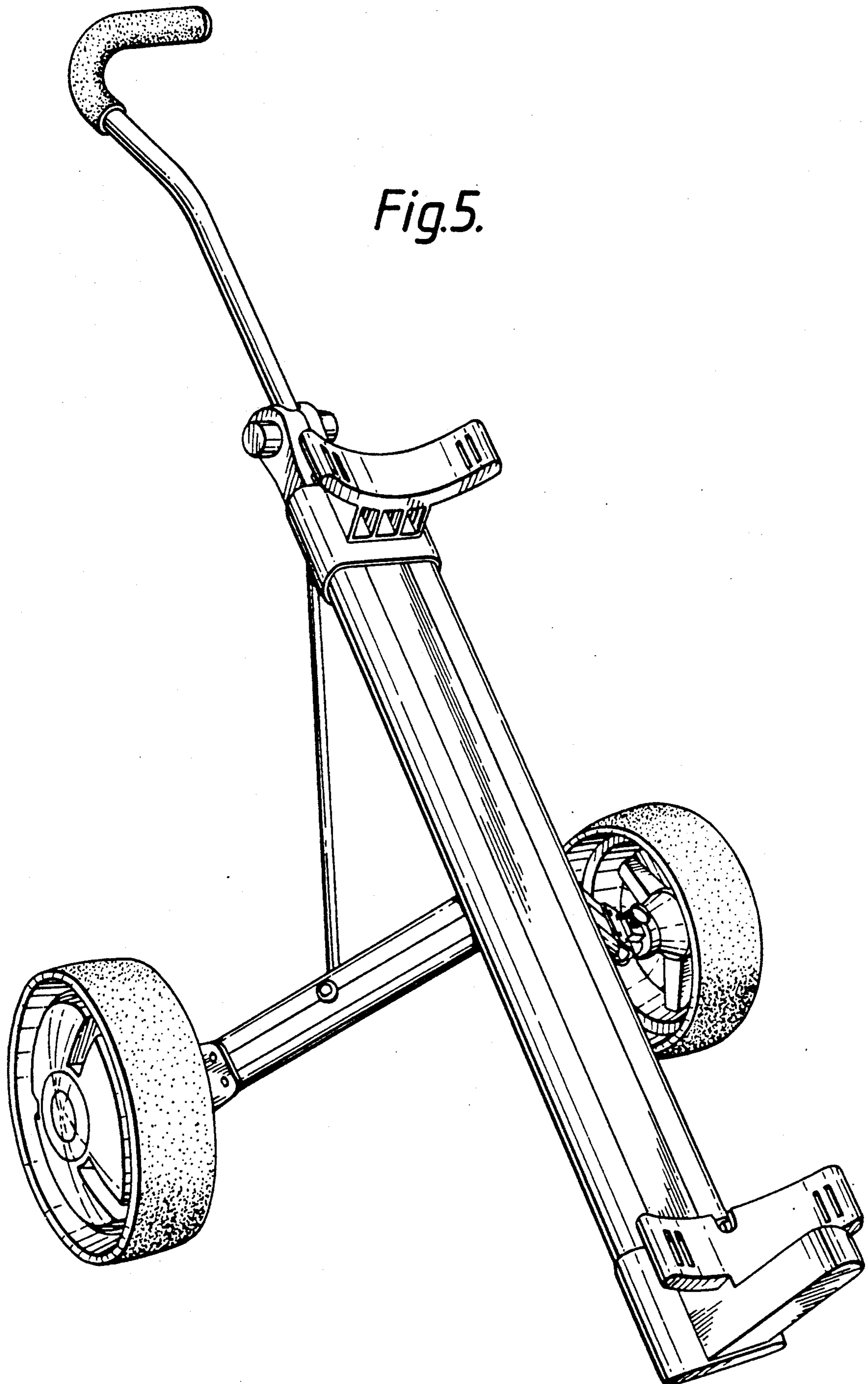


Fig. 5.

Fig.6.

