

[54] CORNER CONNECTOR FOR CEILING LIGHTING FIXTURES

[75] Inventor: Georg Kempter, Bregenz, Austria

[73] Assignee: Zumtobel Aktiengesellschaft, Dornbirn, Austria

[**] Term: 14 Years

[21] Appl. No.: 253,120

[22] Filed: Oct. 4, 1988

[30] Foreign Application Priority Data

Apr. 14, 1988 [AT] Austria 27.569/455/1988

Apr. 14, 1988 [AT] Austria 27.578/455/1988

[52] U.S. Cl. D26/138

[58] Field of Search D26/138, 72, 80-92, D26/75-78; 362/432, 404-408, 147, 362, 217, 219, 220, 222, 223

[56] References Cited

U.S. PATENT DOCUMENTS

D. 160,417	10/1950	Nitardy	D26/77
D. 188,436	7/1960	Budke et al.	D26/77
D. 300,953	5/1989	Hughes et al.	D26/78
1,963,218	6/1934	Wakefield	362/147
2,474,308	6/1949	Franck et al.	D26/78 X
2,744,190	5/1956	Kilemnik	362/223 X
2,874,271	2/1959	Lipscomb	D26/77 X
4,413,311	11/1983	Orenstein	362/219
4,712,165	12/1987	Cetrone	362/219 X

OTHER PUBLICATIONS

Siemens Lighting Catalog BS900, 4-1987, Suspended Luminaire.

Primary Examiner—Susan J. Lucas

[57] CLAIM

The ornamental design for a corner connector for ceiling lighting fixtures, as shown and described.

DESCRIPTION

FIG. 1 is a bottom, front perspective view of a corner connector for ceiling lighting fixtures showing my new design, two lighting fixtures being fragmentarily shown in broken lines for illustrative purposes only;

FIG. 2 is a top plan view thereof;

FIG. 3 is an end elevational view thereof on an enlarged scale, the opposite end being a mirror image;

FIG. 4 is a top, rear perspective view thereof on a reduced scale;

FIG. 5 is a top, front perspective view thereof;

FIG. 6 is a top, front perspective view of a second embodiment of my new design;

FIG. 7 is a top, front perspective view of a third embodiment of my new design;

FIG. 8 is a top, front perspective view of a fourth embodiment of my new design;

FIG. 9 is a top, front perspective view of a fifth embodiment of my new design;

FIG. 10 is a top, front perspective view of a sixth embodiment of my new design;

The embodiments of the corner connector differ only in the number of adapters.

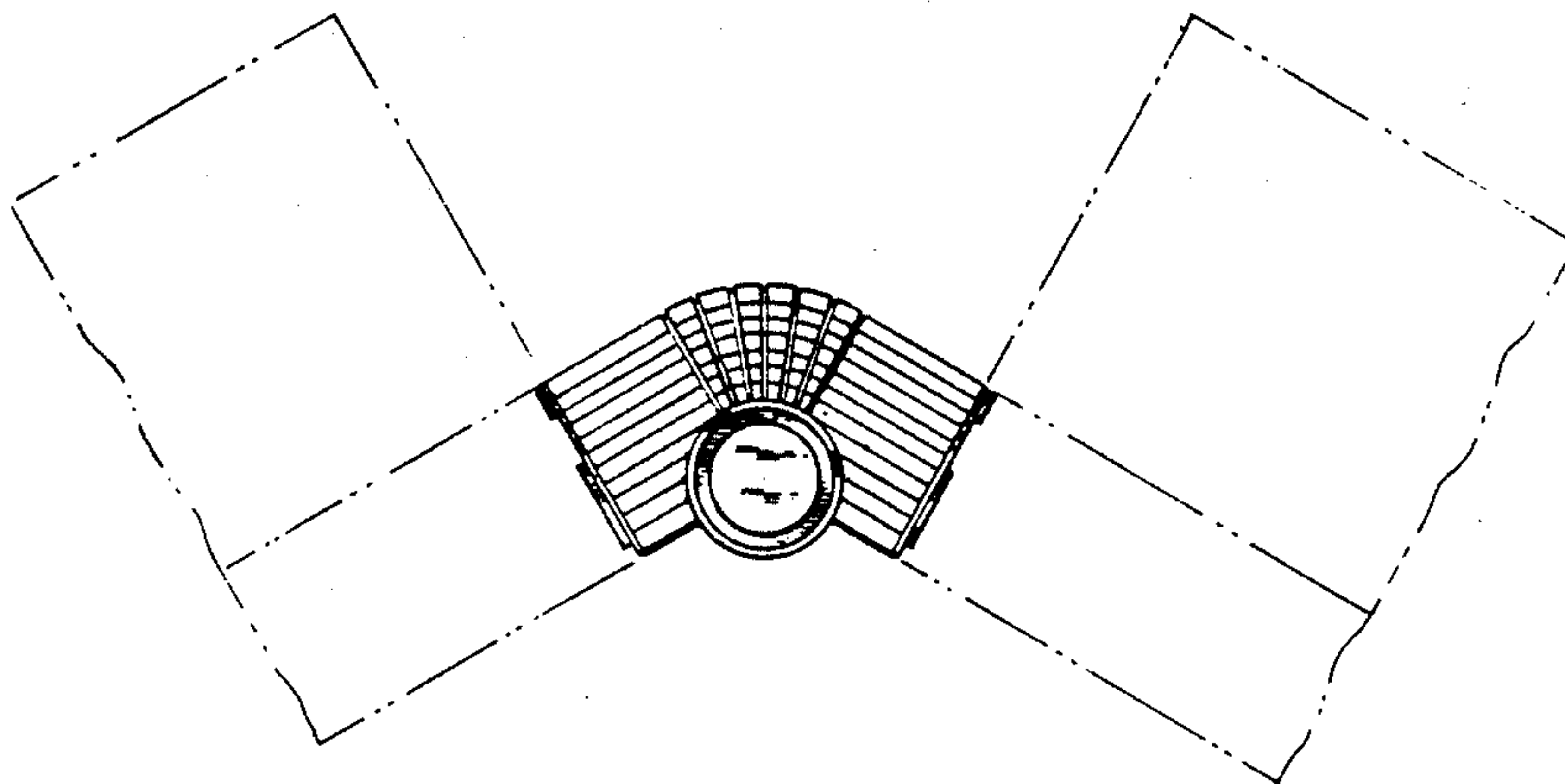
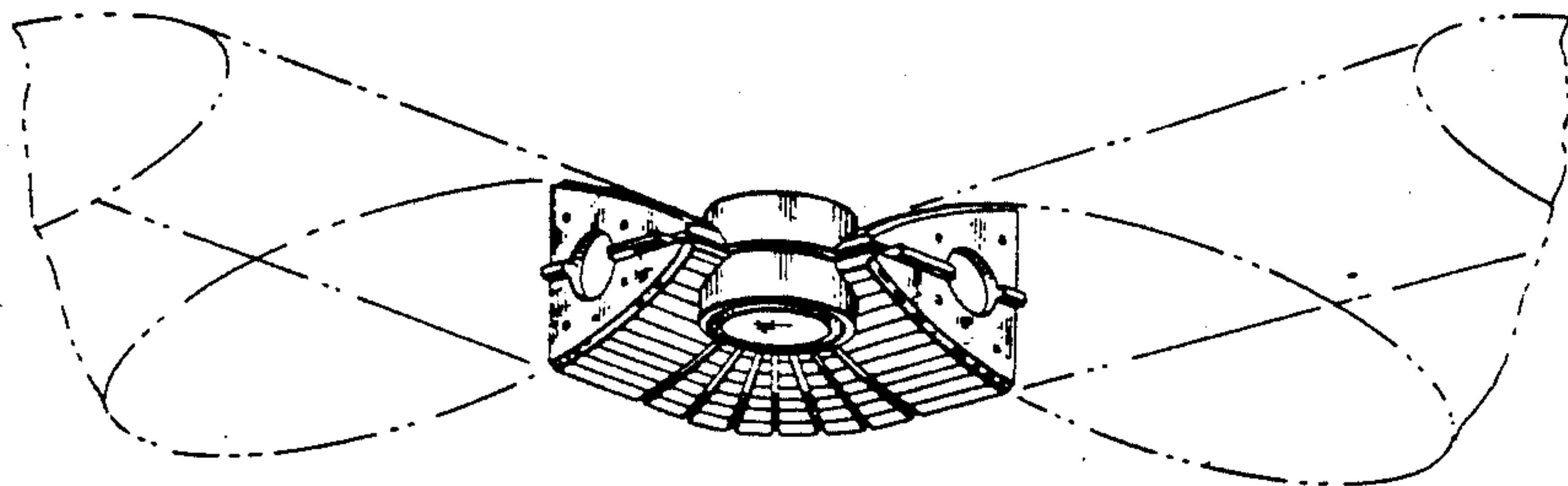


FIG. 1

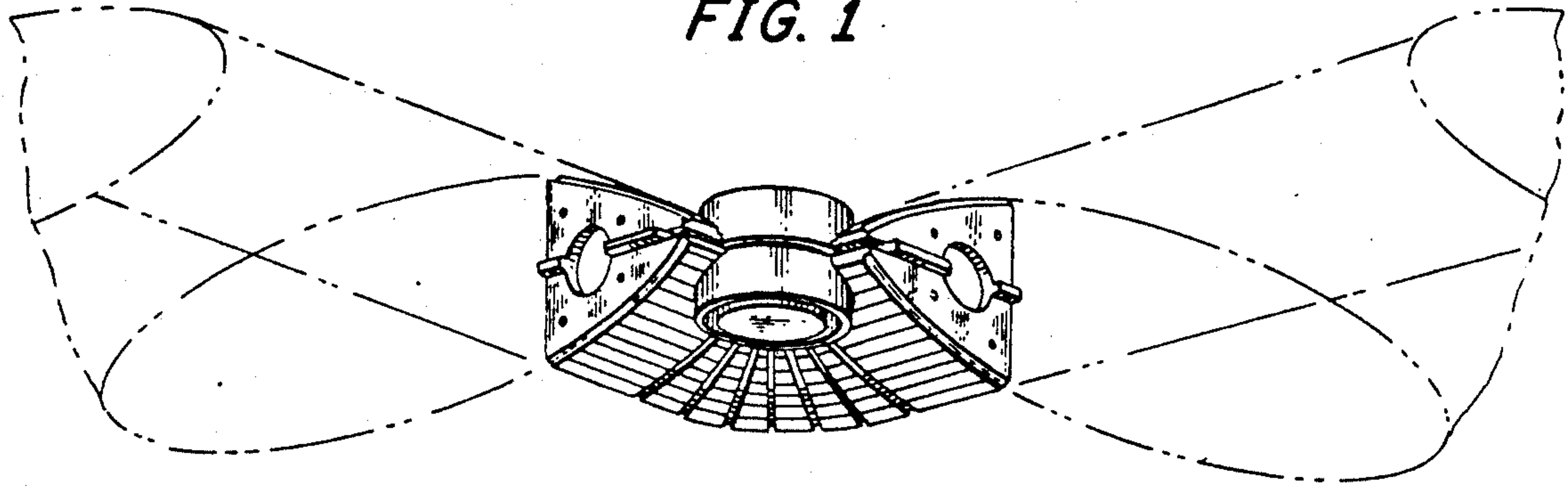


FIG. 2

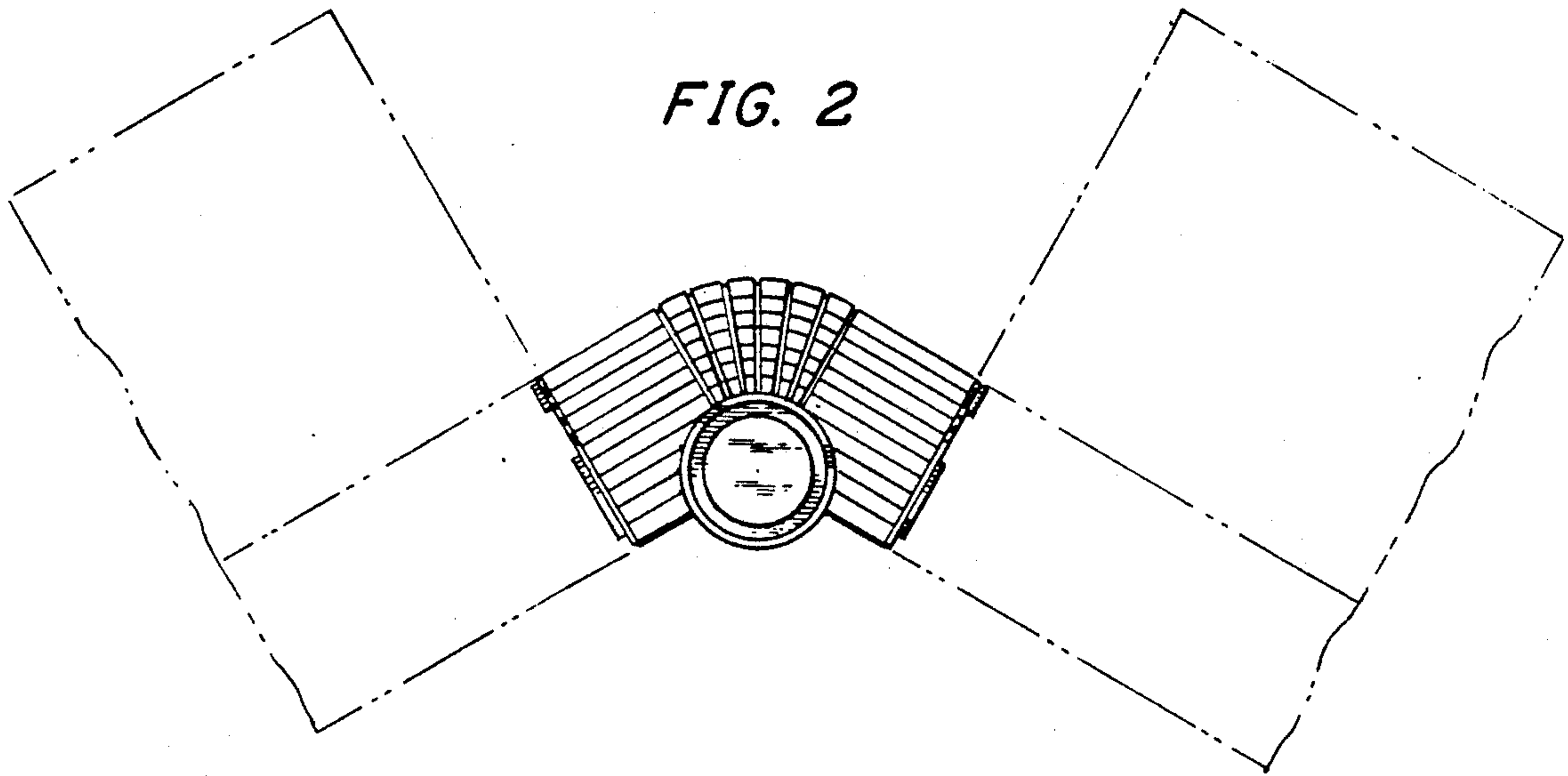


FIG. 3

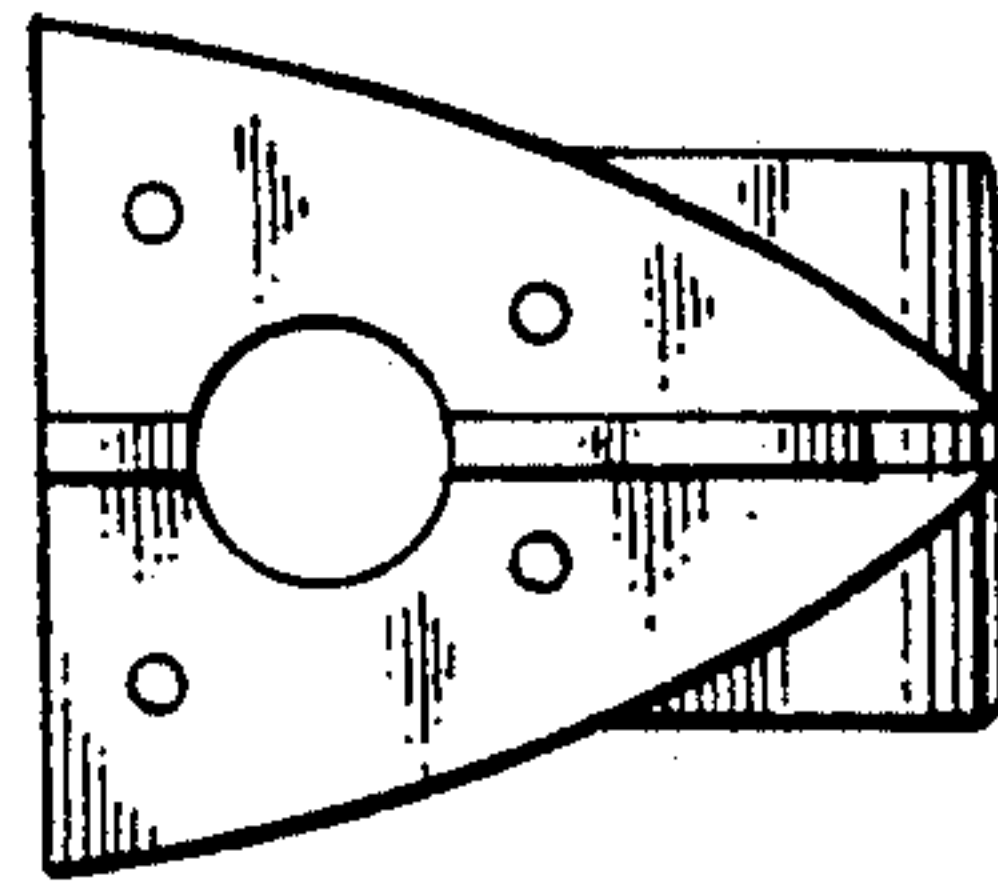


FIG. 4

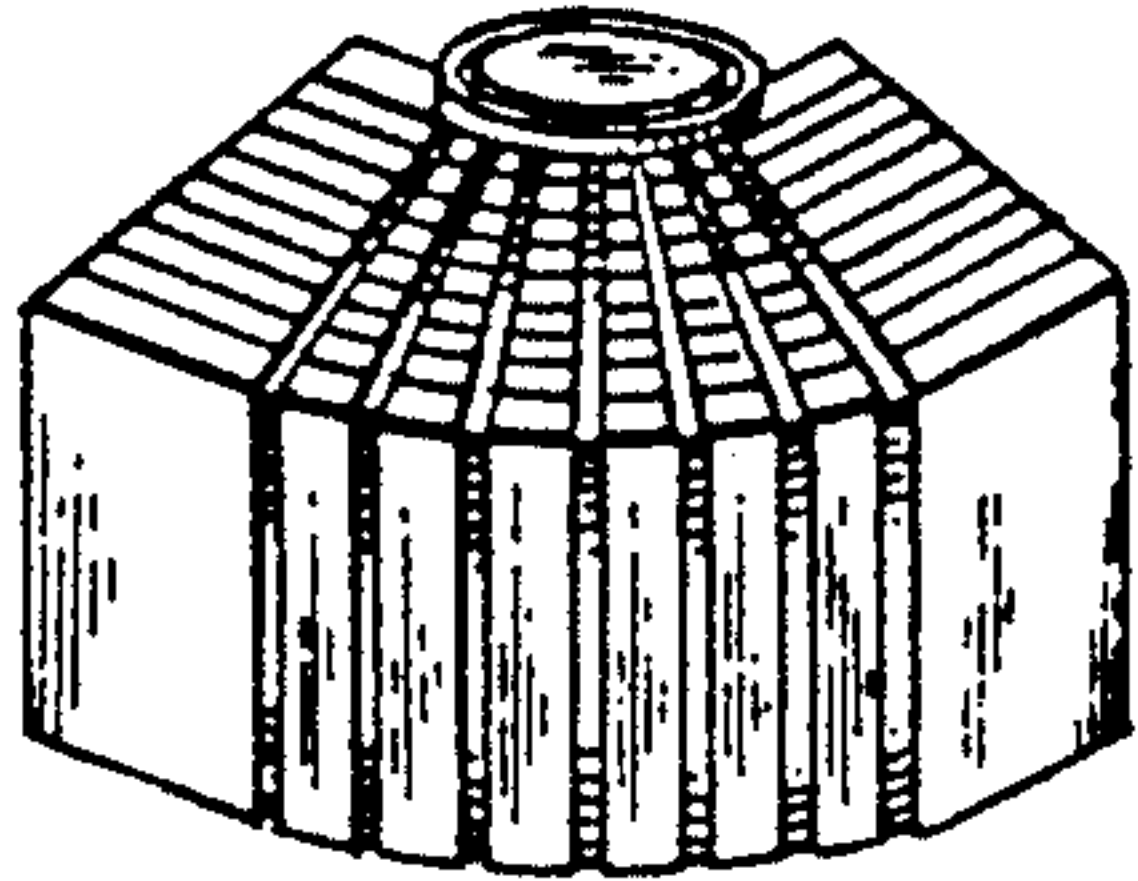


FIG. 5

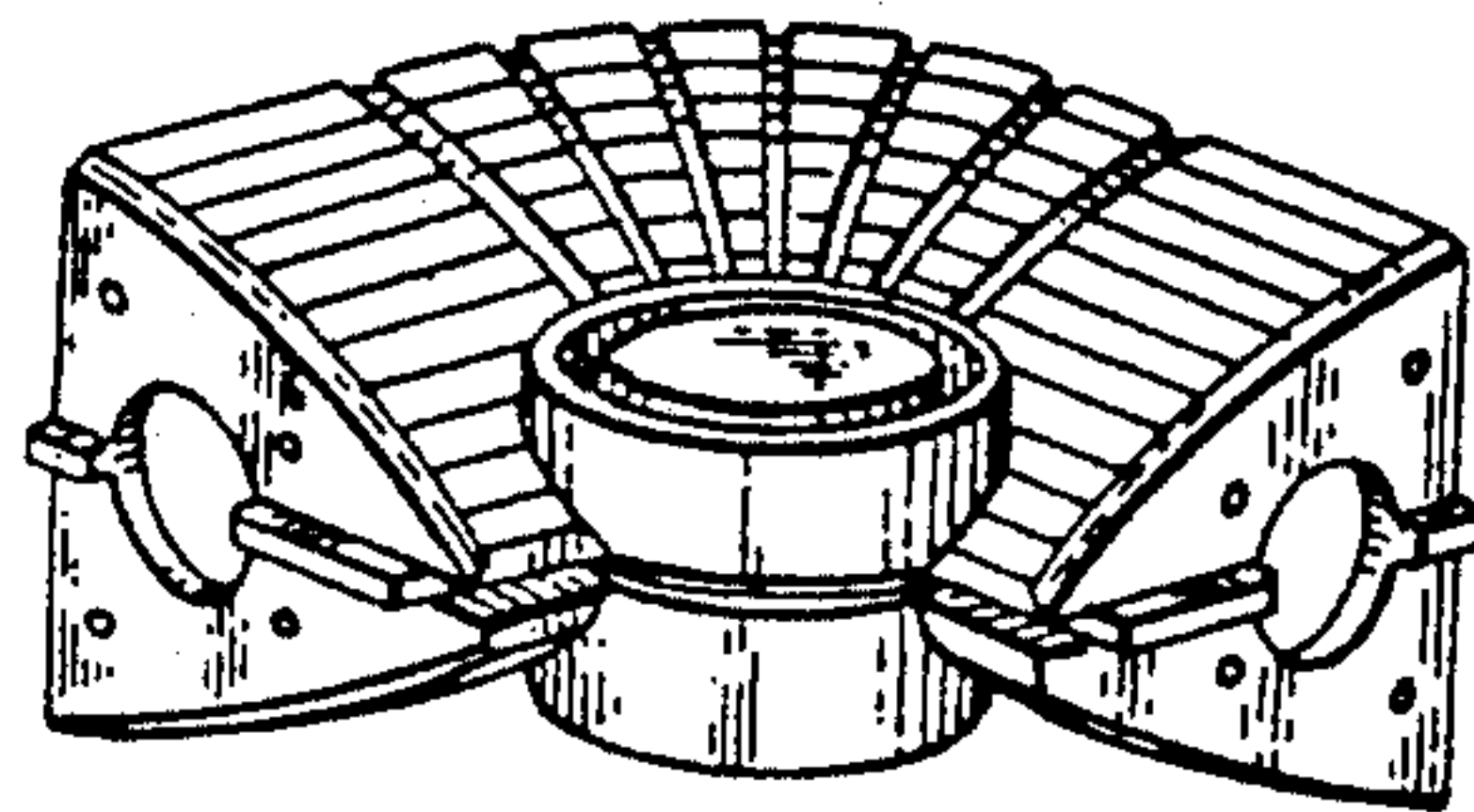


FIG. 6

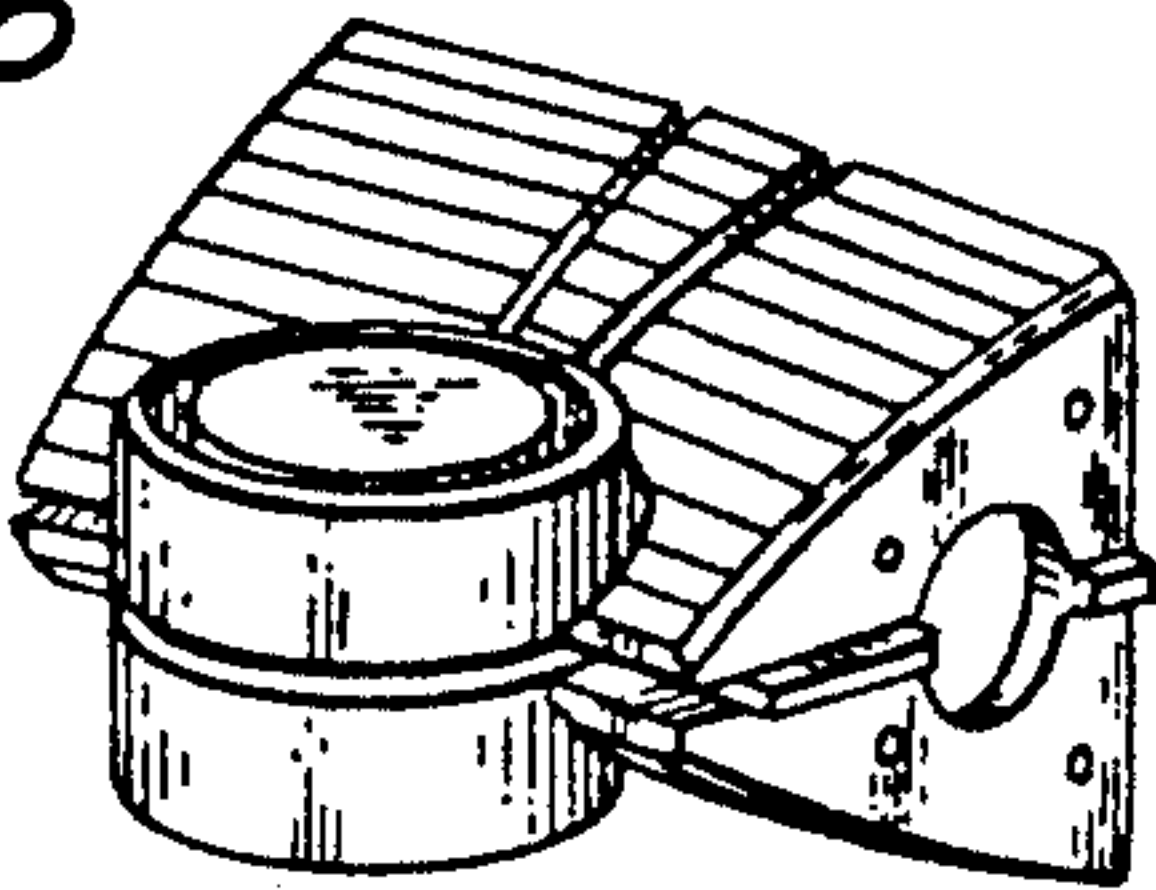


FIG. 7

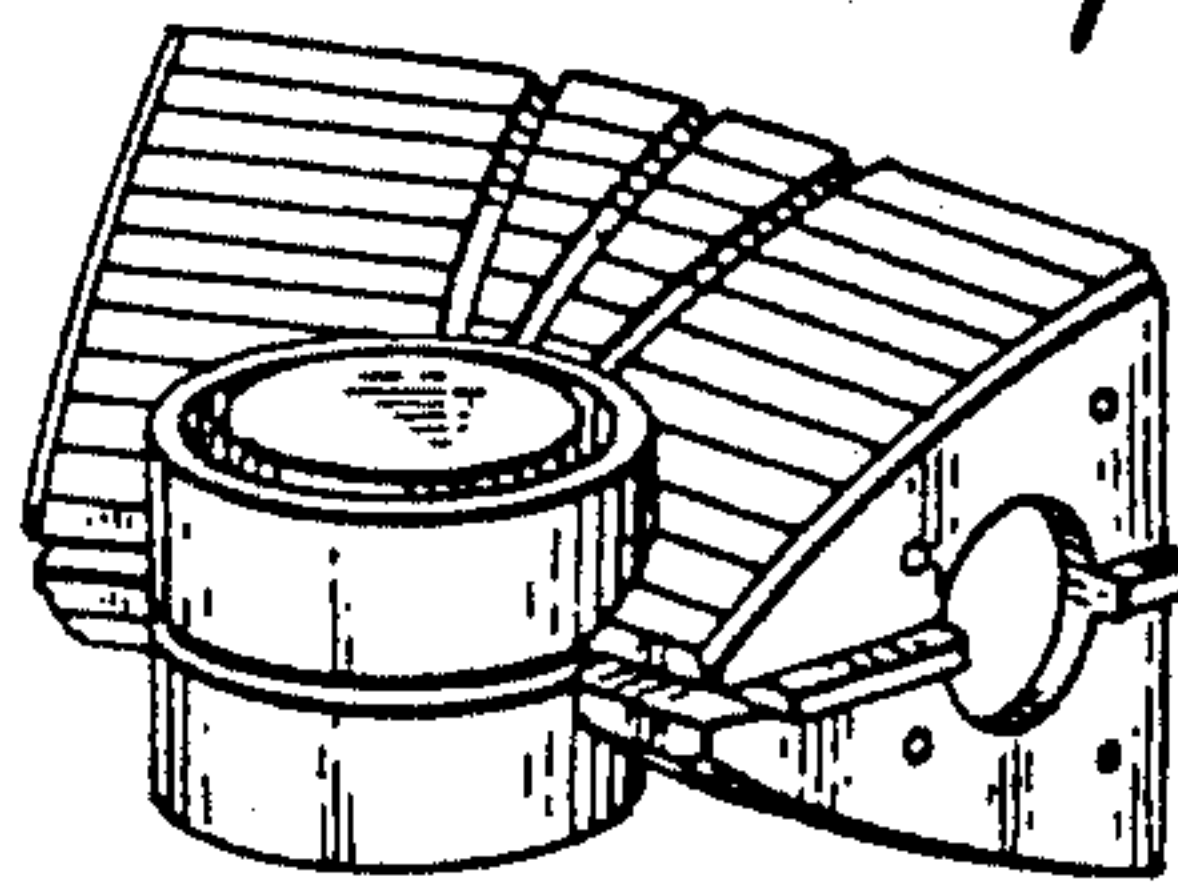


FIG. 8

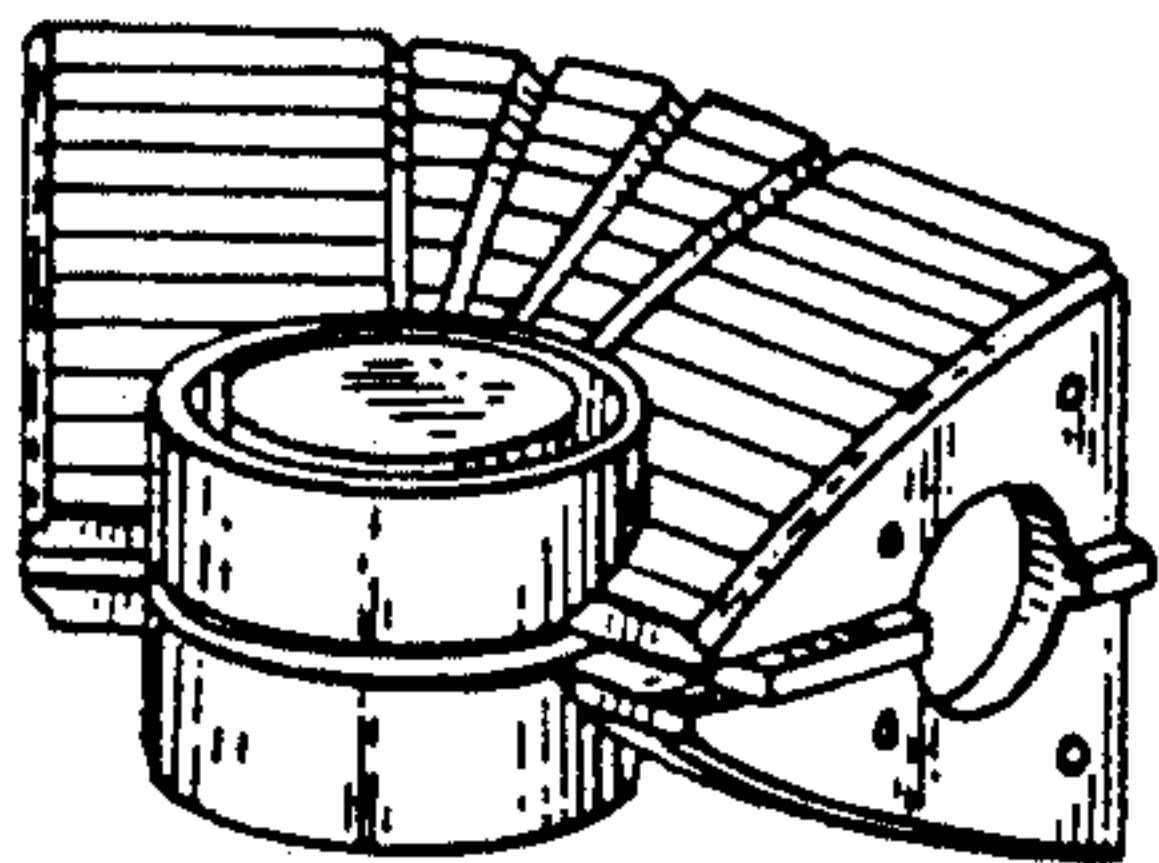


FIG. 9

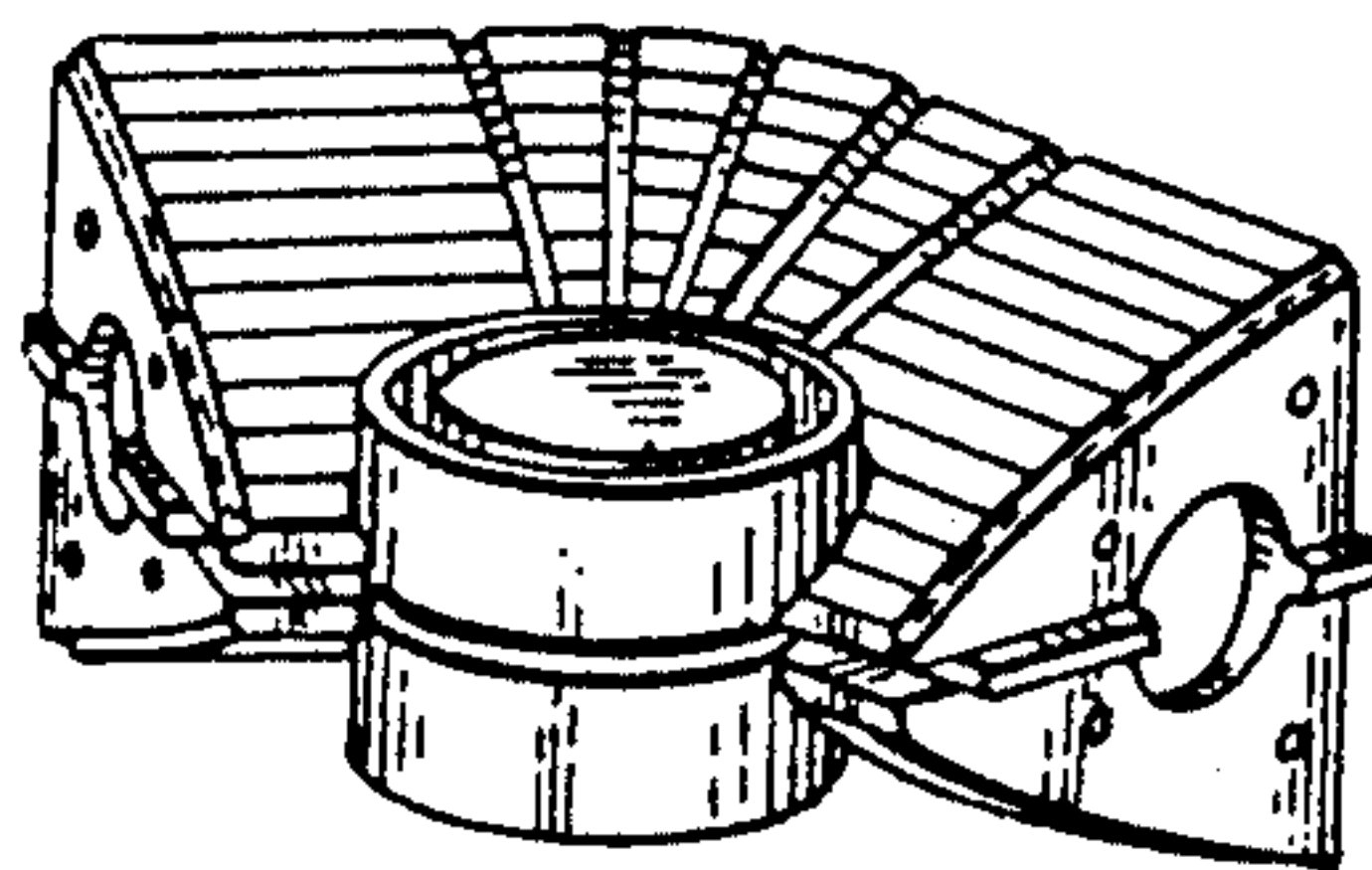


FIG. 10

