

[54] STEPPED SCONCE

[76] Inventor: Kevin Von Kluck, 809 Burlington Ave., Western Springs, Ill. 60558

[**] Term: 14 Years

[21] Appl. No.: 410,677

[22] Filed: Sep. 20, 1989

[52] U.S. Cl. D26/85

[58] Field of Search D26/72, 80-92; 362/147, 404, 432, 362

Visa Lighting Catalog, 1987, p. 2, wall sconce, #CB780-WHT.

Visa Lighting Catalog, 1987, p. 2, wall sconce, #CB931.

Primary Examiner—Susan J. Lucas

Attorney, Agent, or Firm—Alan R. Thiele; Eddie E. Scott; Hubert E. Cox

[57] CLAIM

The ornamental design for a stepped sconce, as shown and described.

DESCRIPTION

FIG. 1 is a top perspective view of a stepped sconce showing my new design;

FIG. 2 is a bottom perspective view;

FIG. 3 is a front elevational view;

FIG. 4 is a top plan view;

FIG. 5 is a rear elevational view;

FIG. 6 is a bottom plan view;

FIG. 7 is a left side elevational view; and

FIG. 8 is a right side elevational view thereof.

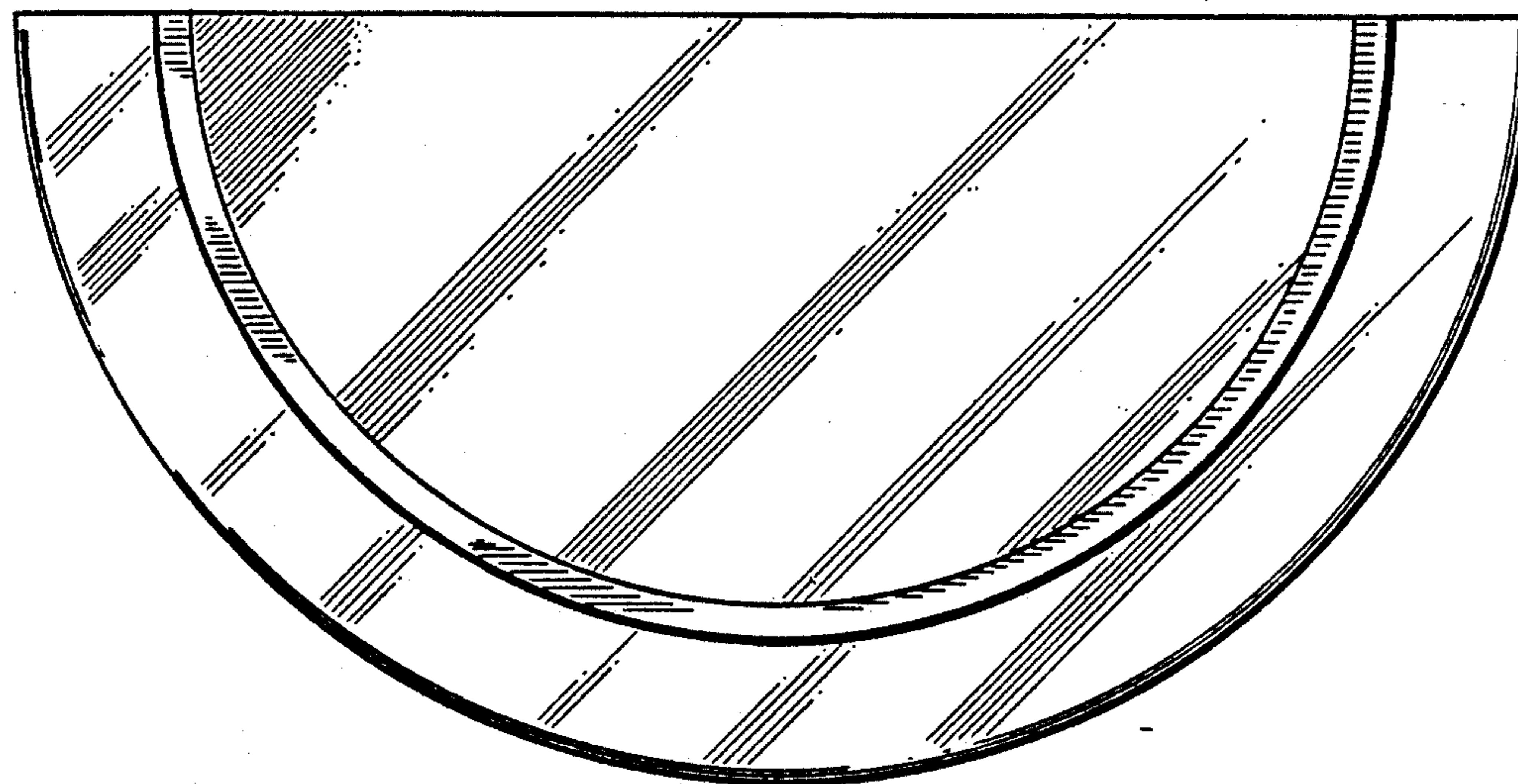
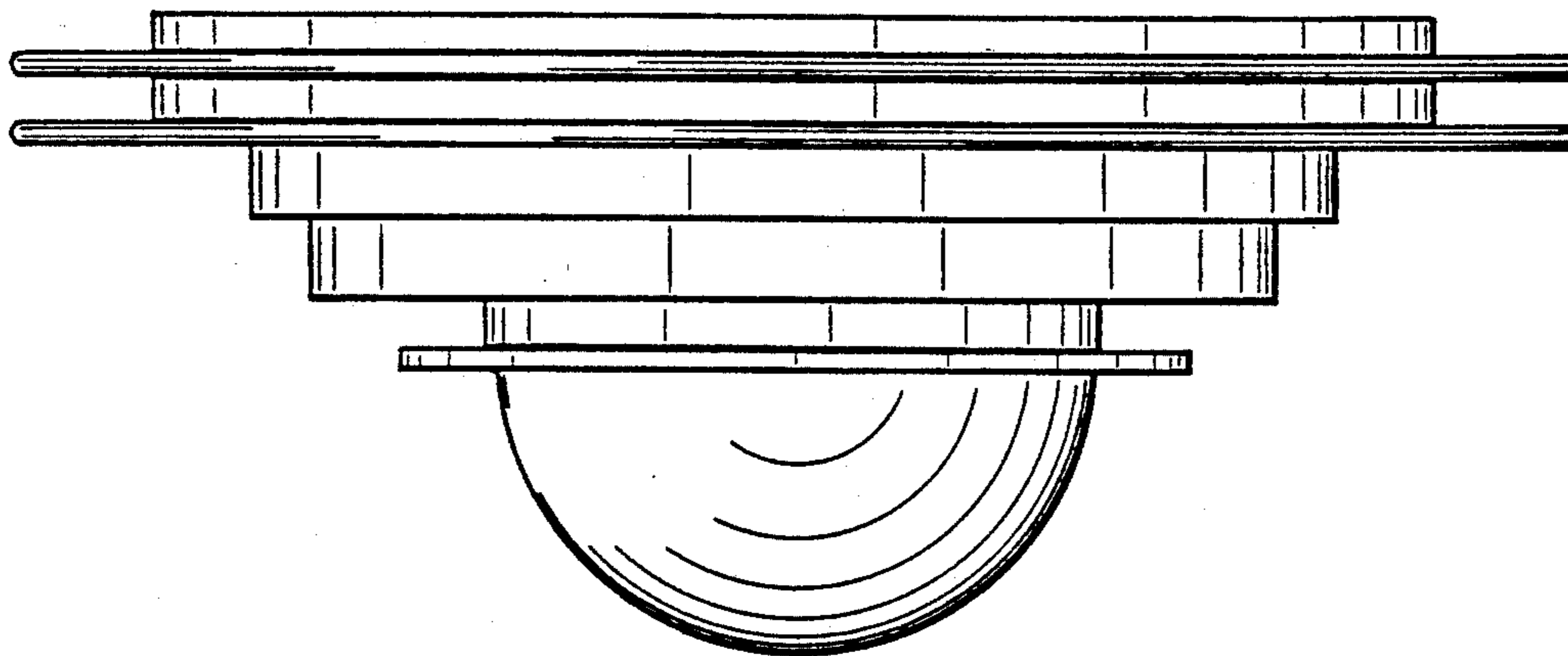
[56] References Cited

U.S. PATENT DOCUMENTS

D. 309,792 8/1990 Mangiarotti D26/85

OTHER PUBLICATIONS

Dakota Lighting Catalog, ©1985, p. 11, wall fixture, #630-47.



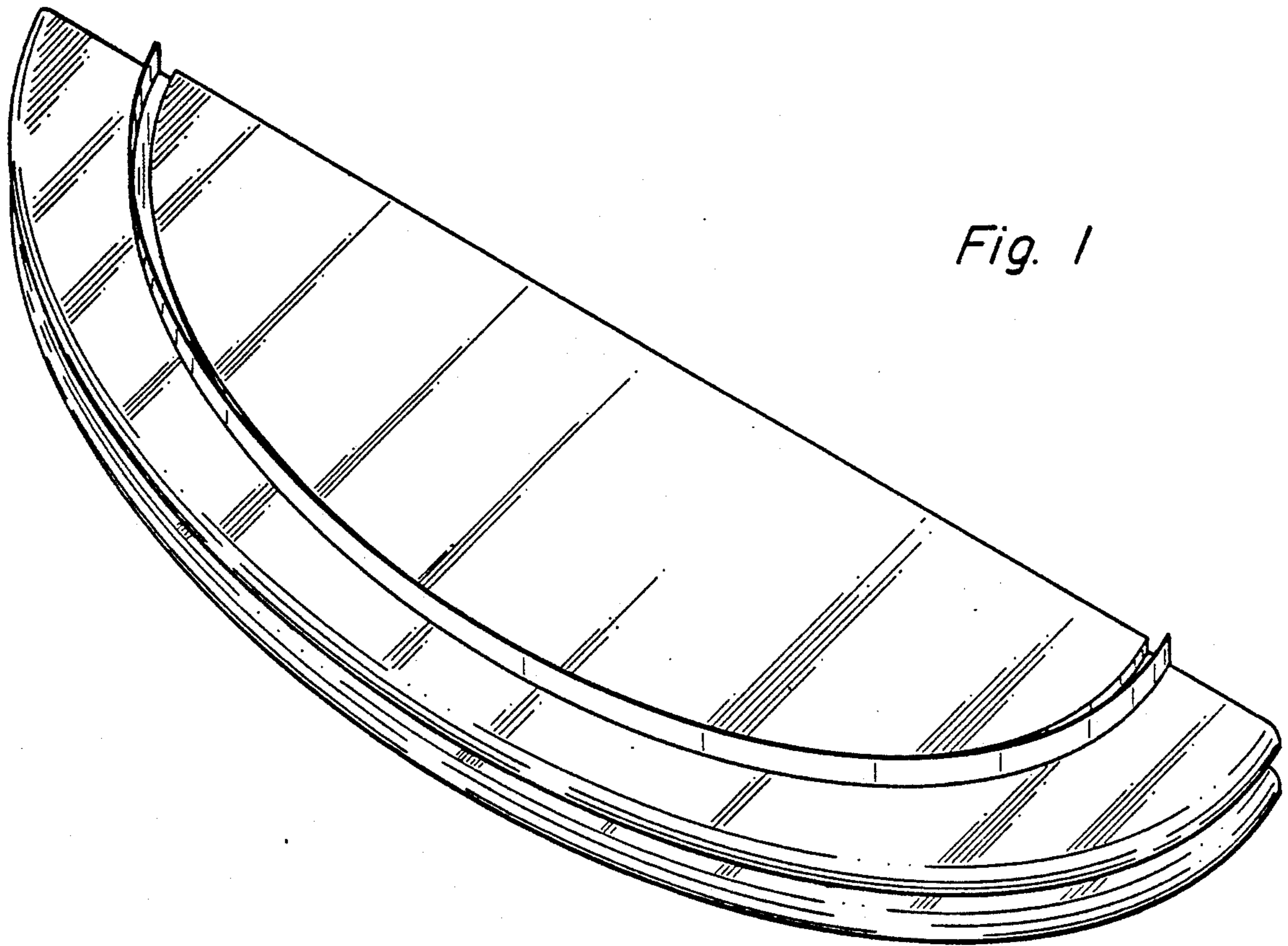


Fig. 1

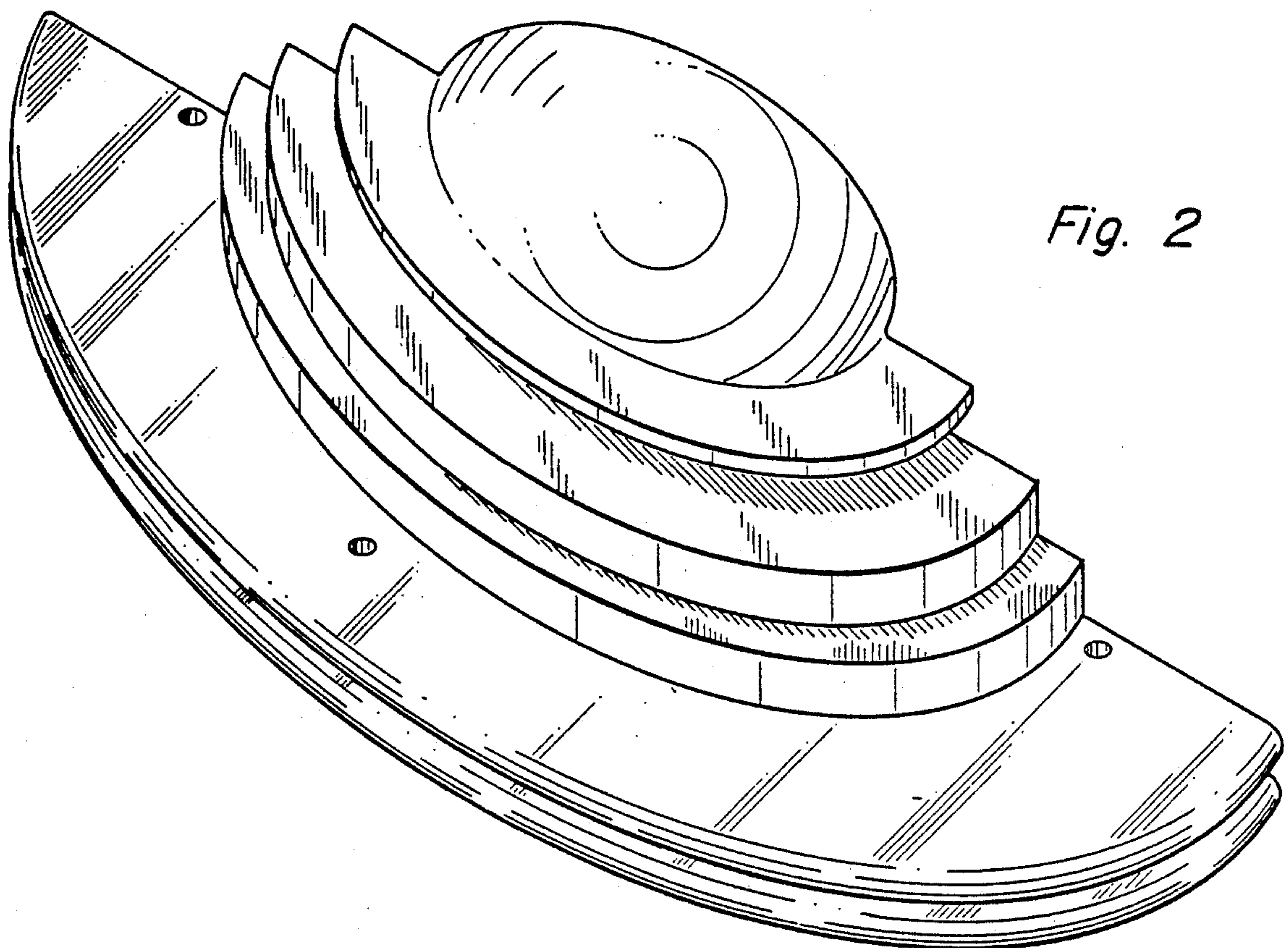


Fig. 2

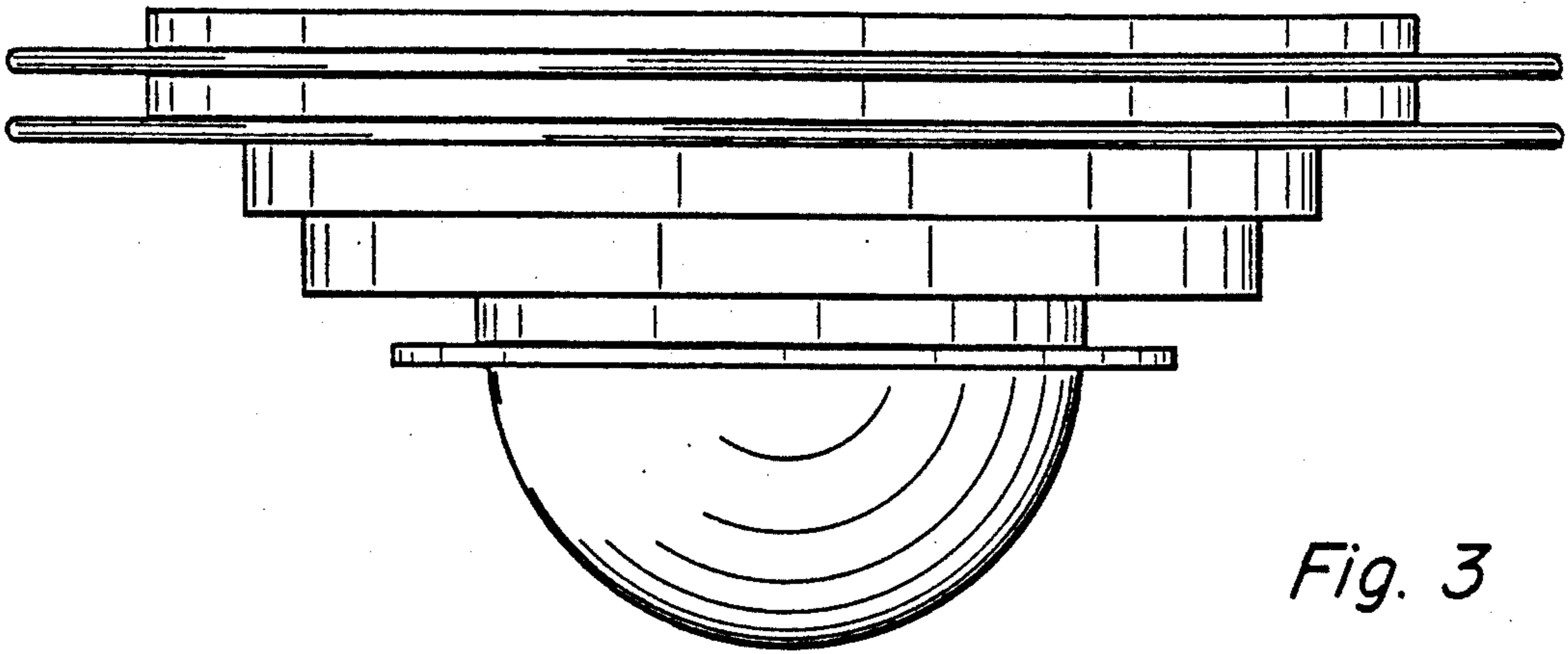


Fig. 3

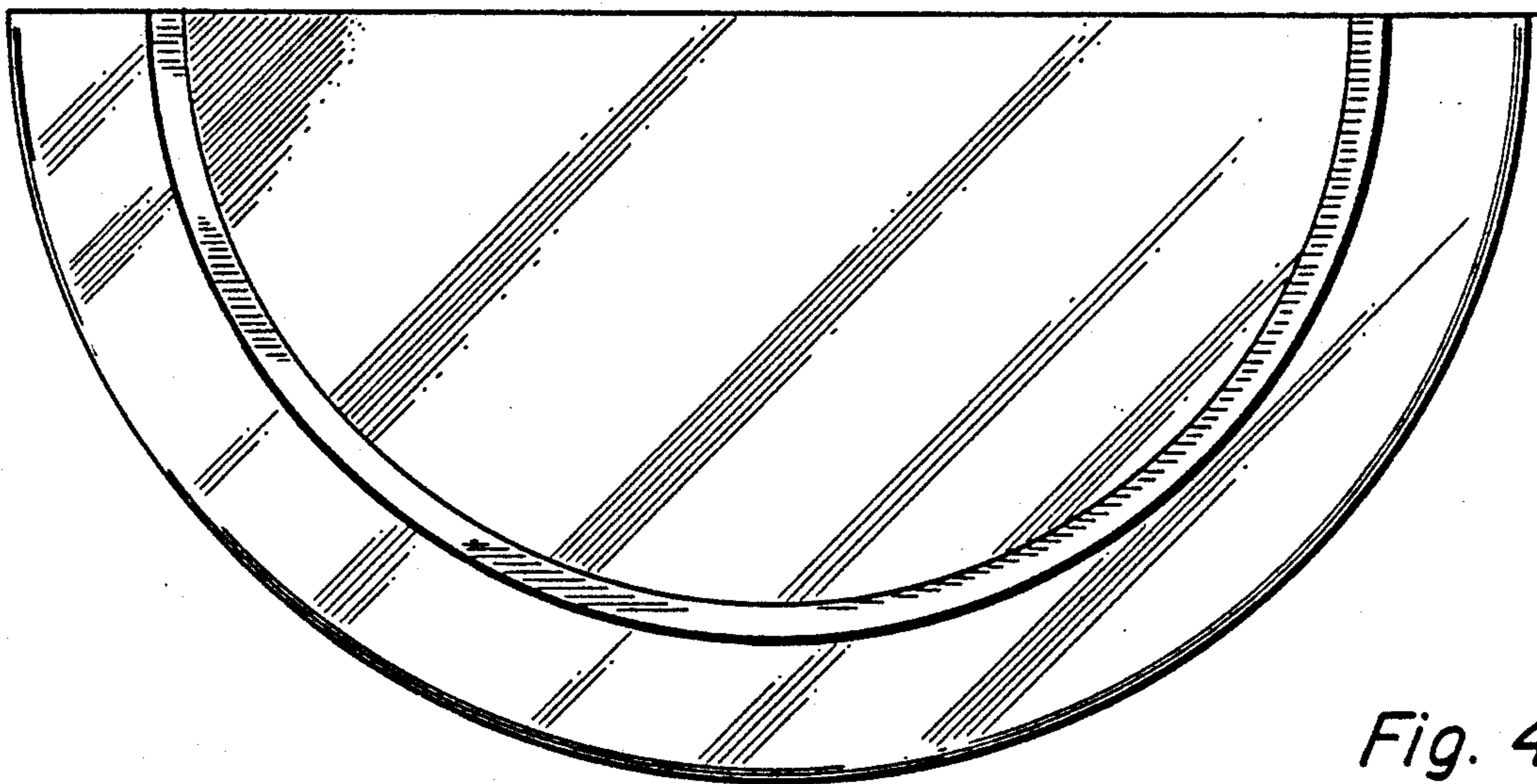


Fig. 4

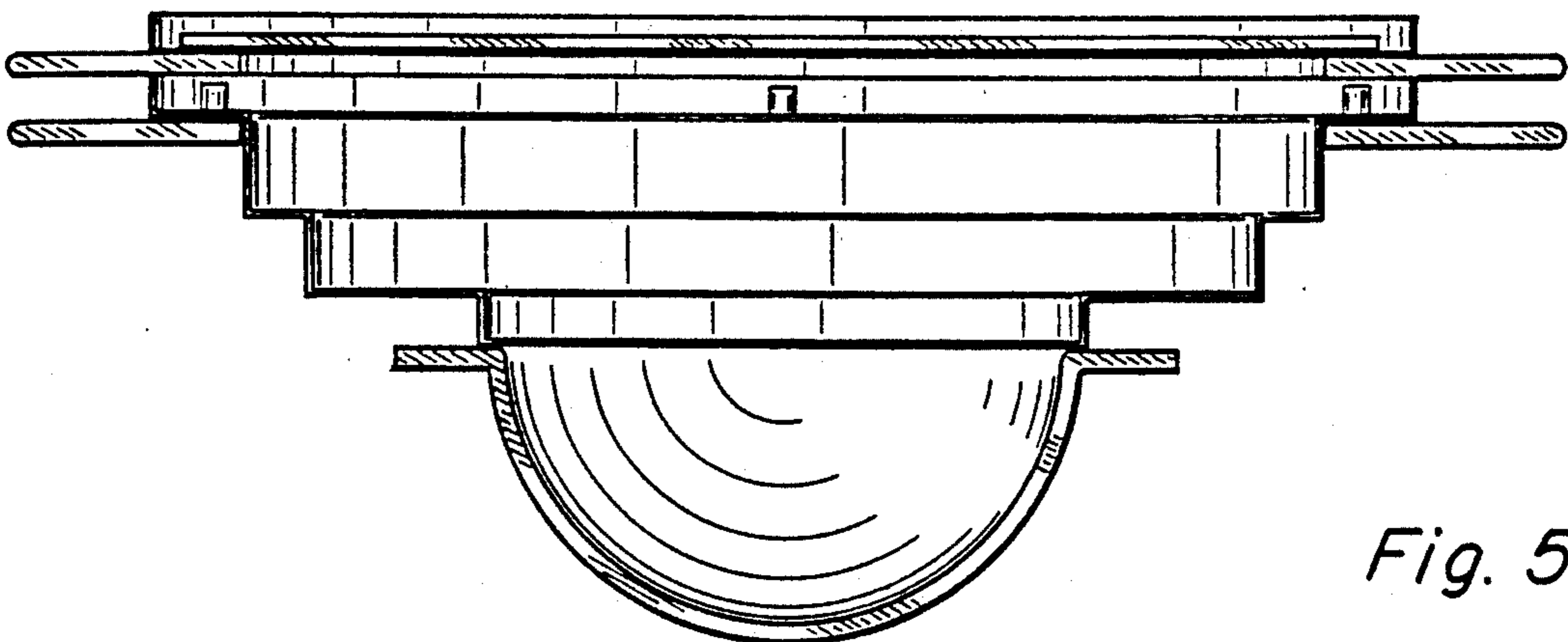


Fig. 5

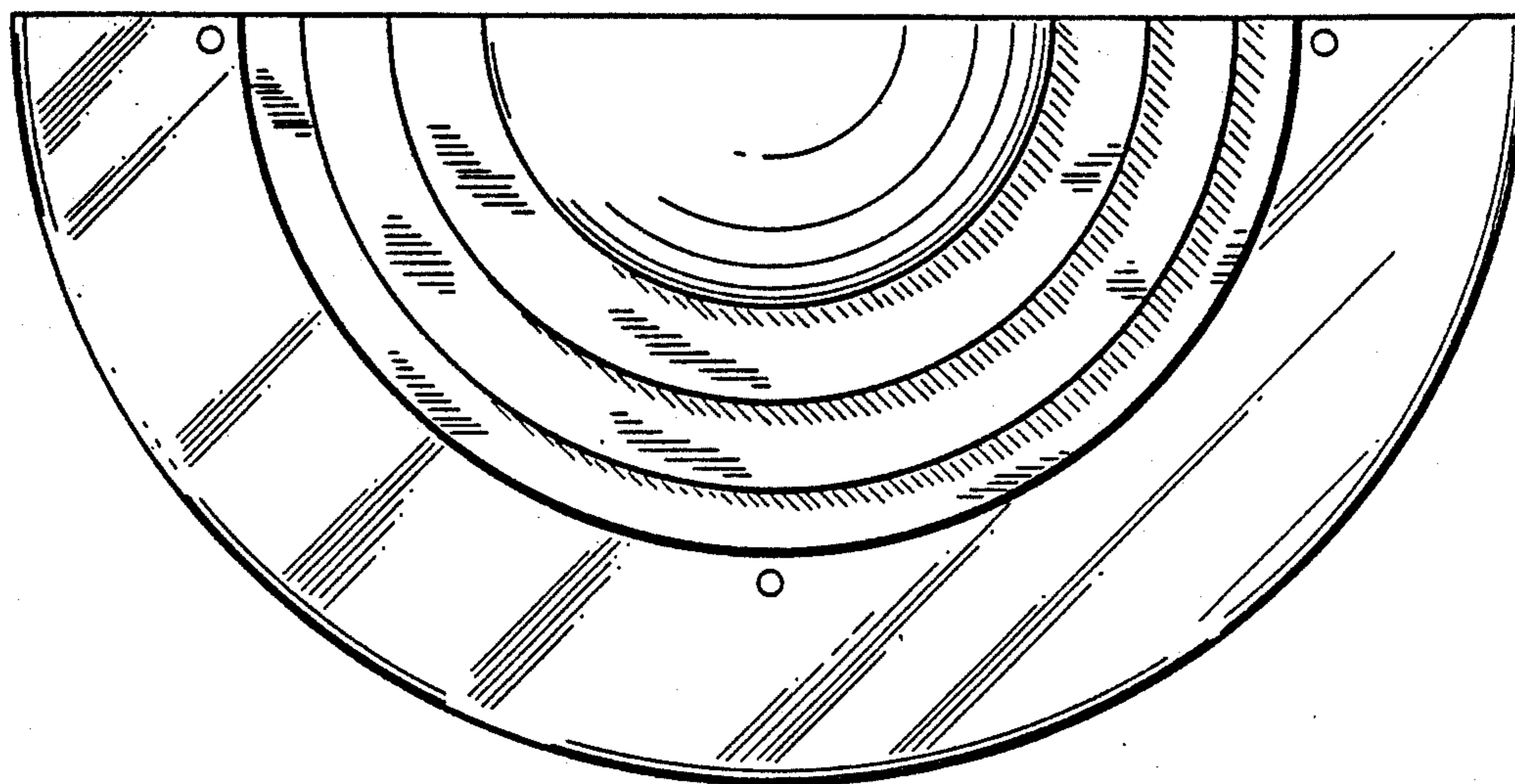


Fig. 6

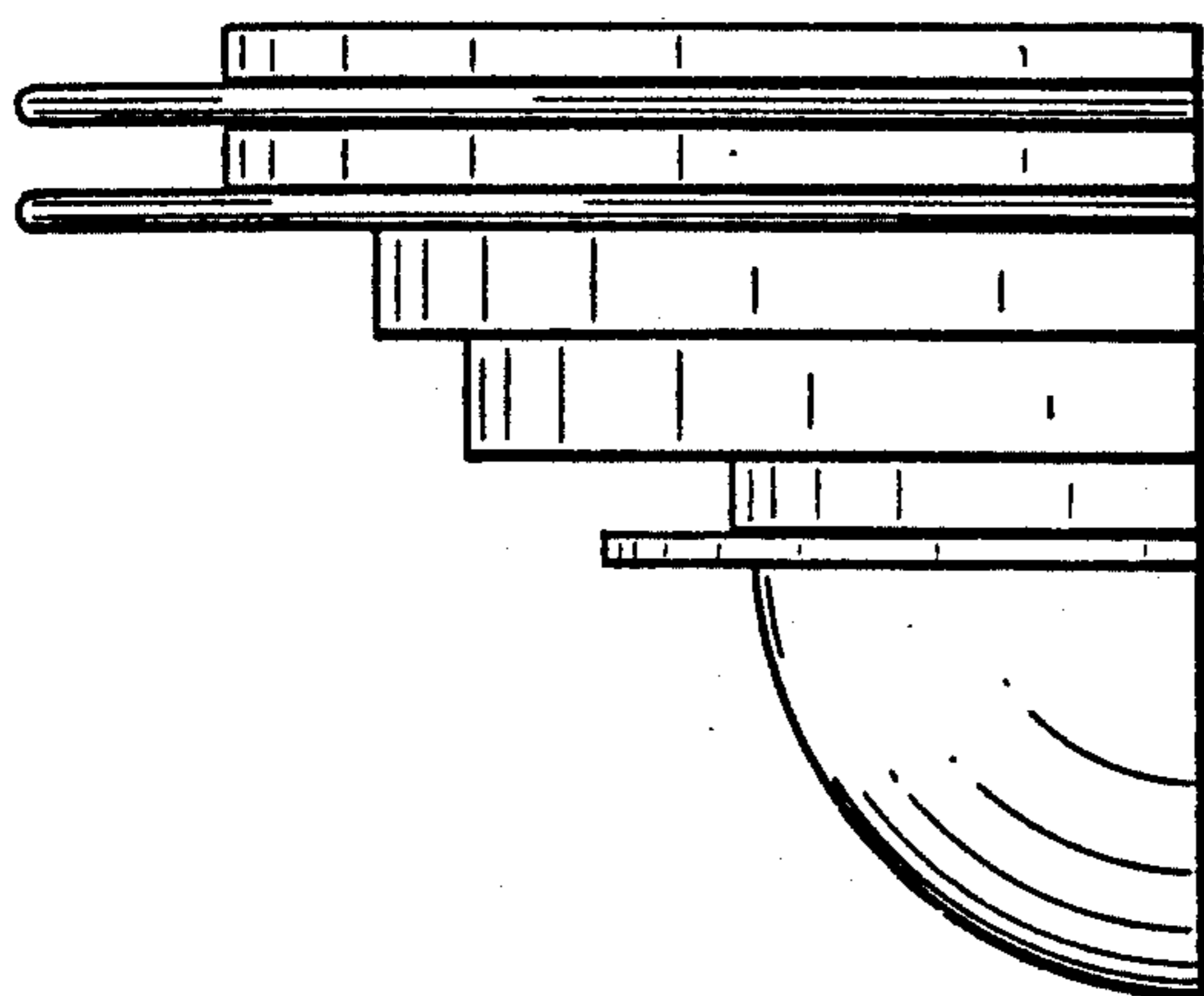


Fig. 7

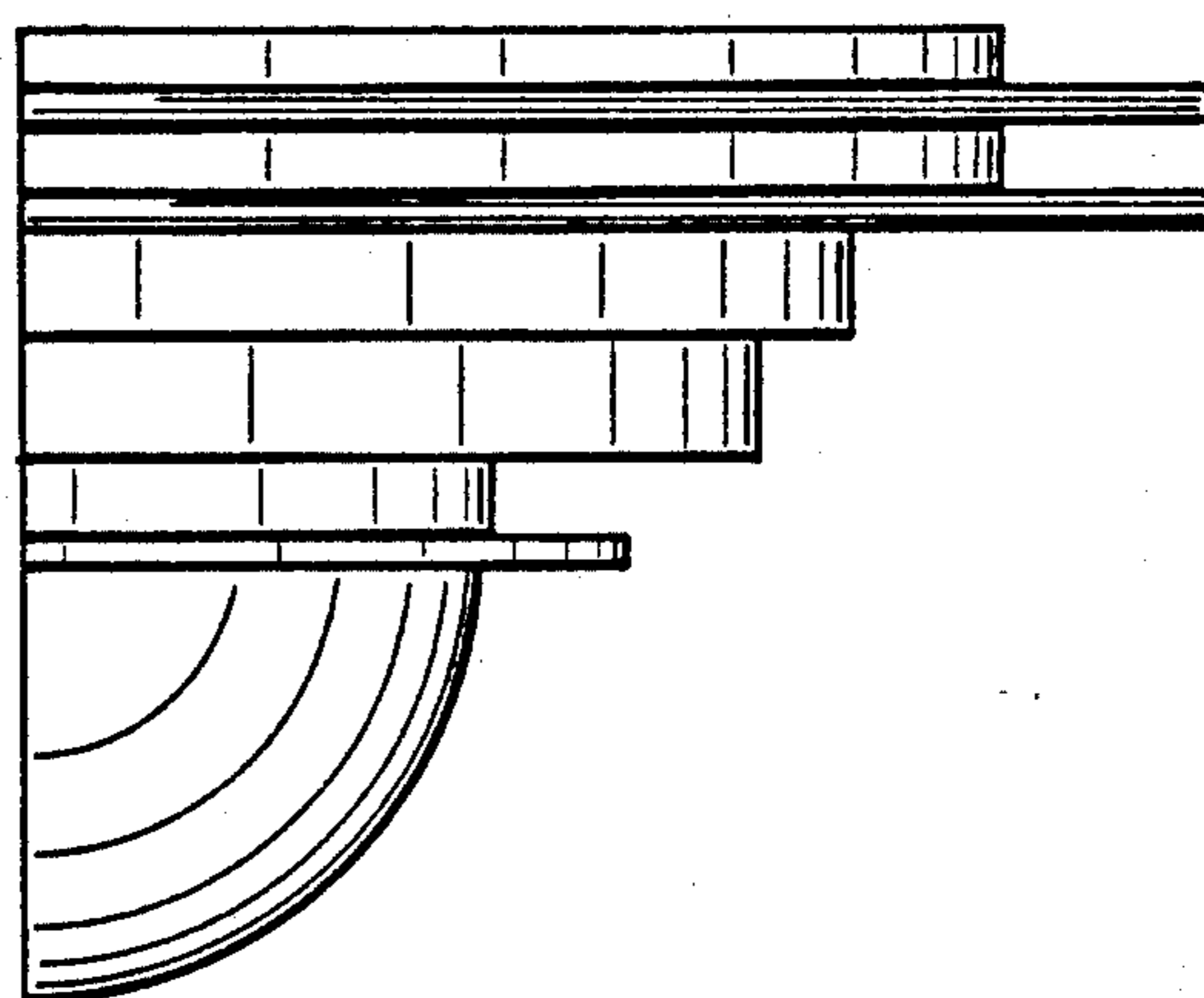


Fig. 8