

[54] **WALL LAMP**

[75] **Inventor: Steven Lombardi, San Diego, Calif.**

[73] **Assignee: Artemide S.p.A., Milan, Italy**

[\*\*] **Term: 14 Years**

[21] **Appl. No.: 114,270**

[22] **Filed: Oct. 29, 1987**

[30] **Foreign Application Priority Data**

Apr. 29, 1987 [IT] Italy ..... 21489/87[U]  
[52] U.S. Cl. .... D26/85  
[58] Field of Search ..... D26/72, 80-92;  
362/431, 404-408, 147, 362

[56] **References Cited**

**U.S. PATENT DOCUMENTS**

D. 167,316 9/1952 Steeber ..... D26/85

**OTHER PUBLICATIONS**

Progressive Architecture, 9-1986, p. 39, Wall Lamp #W580.

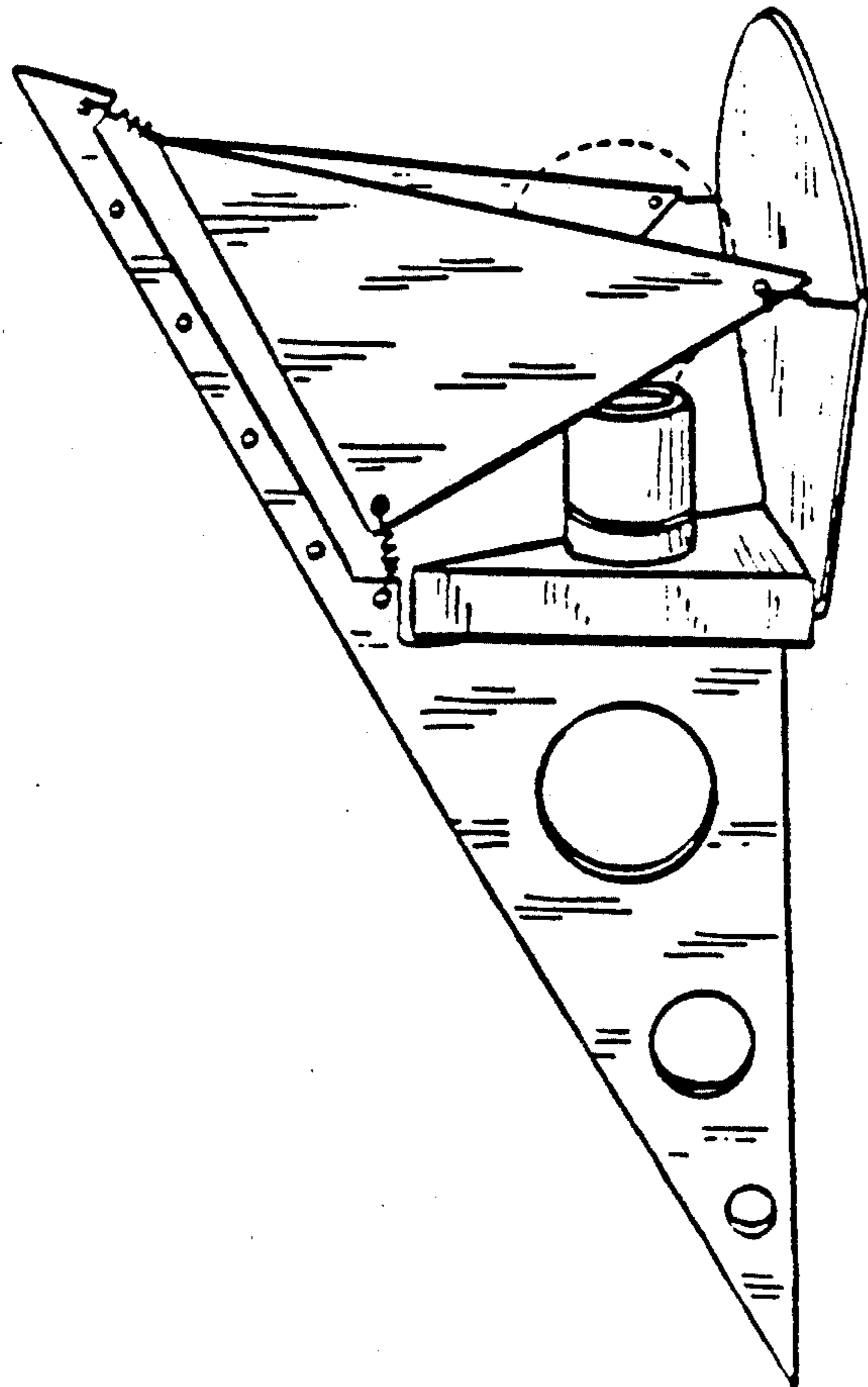
*Primary Examiner*—Susan J. Lucas  
*Attorney, Agent, or Firm*—Guido Modiano; Albert Josif

[57] **CLAIM**

The ornamental design for wall lamp, as shown and described.

**DESCRIPTION**

FIG. 1 is a right side perspective view of a wall lamp showing my new design;  
FIG. 2 is a right side elevational view thereof;  
FIG. 3 is a left side elevational view thereof;  
FIG. 4 is a top plan view thereof;  
FIG. 5 is a bottom plan view thereof;  
FIG. 6 is a front elevational view thereof;  
FIG. 7 is a rear elevational view thereof.  
The light bulb is shown in broken lines in FIG. 1 for illustrative purposes only.



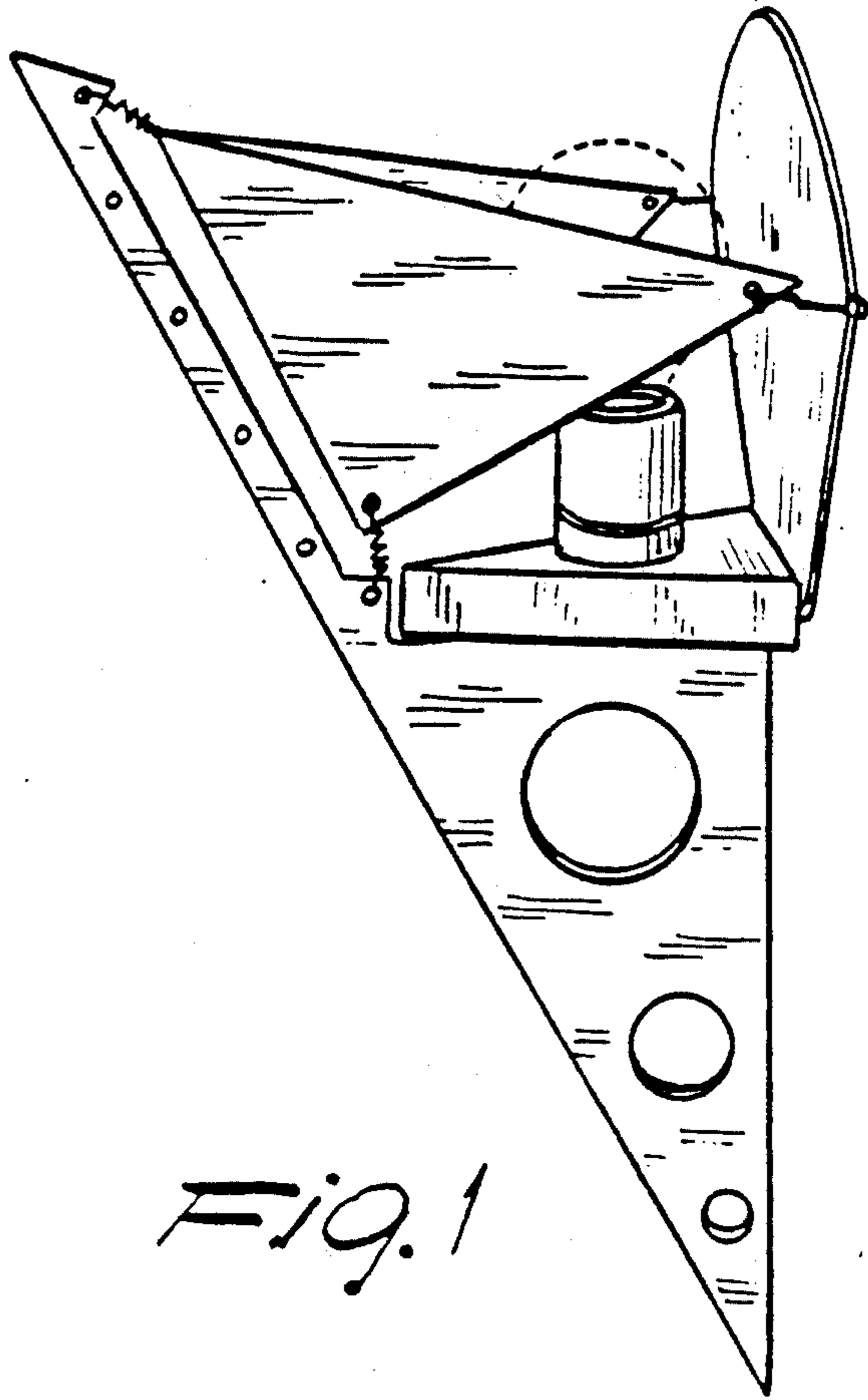


Fig. 1

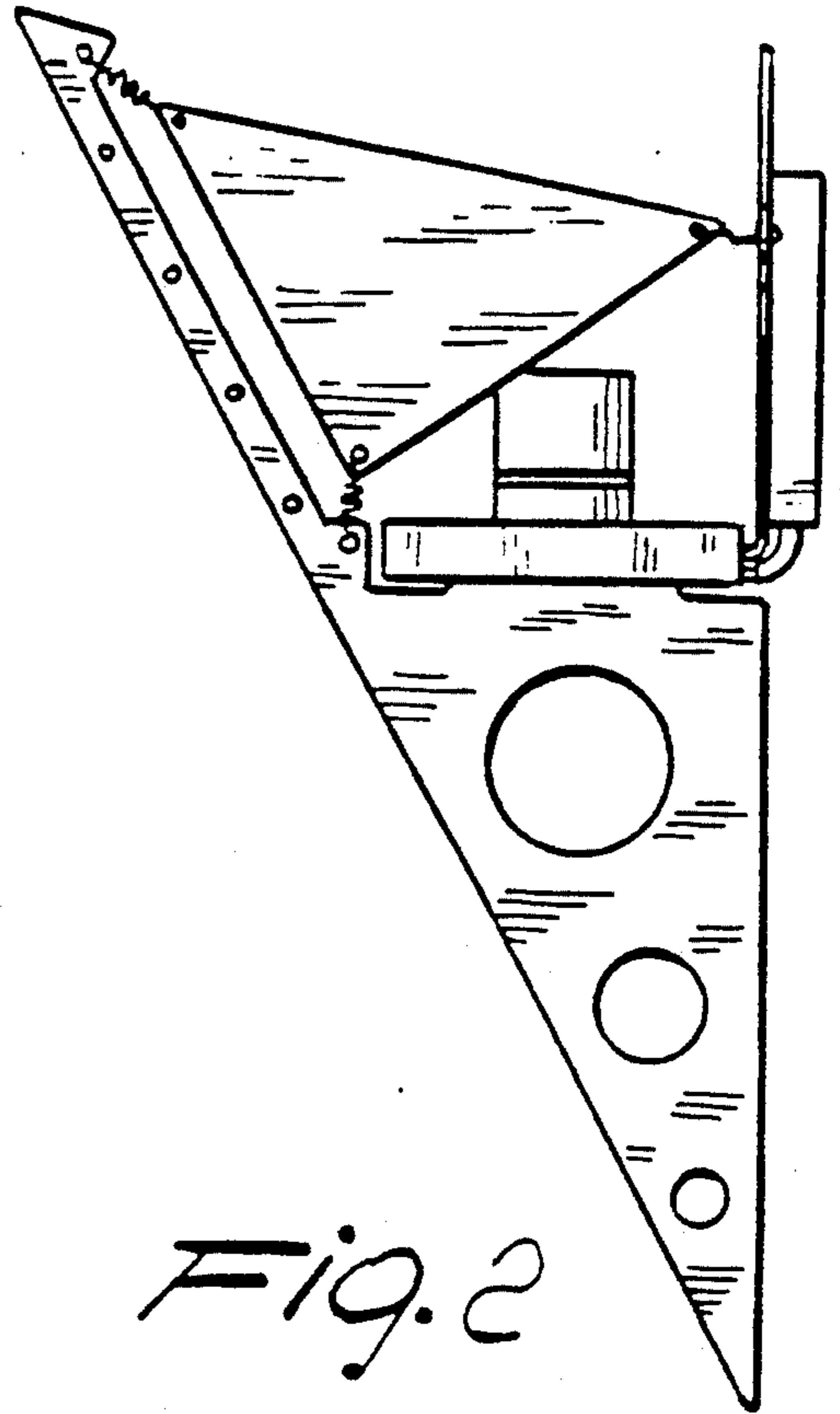


Fig. 2

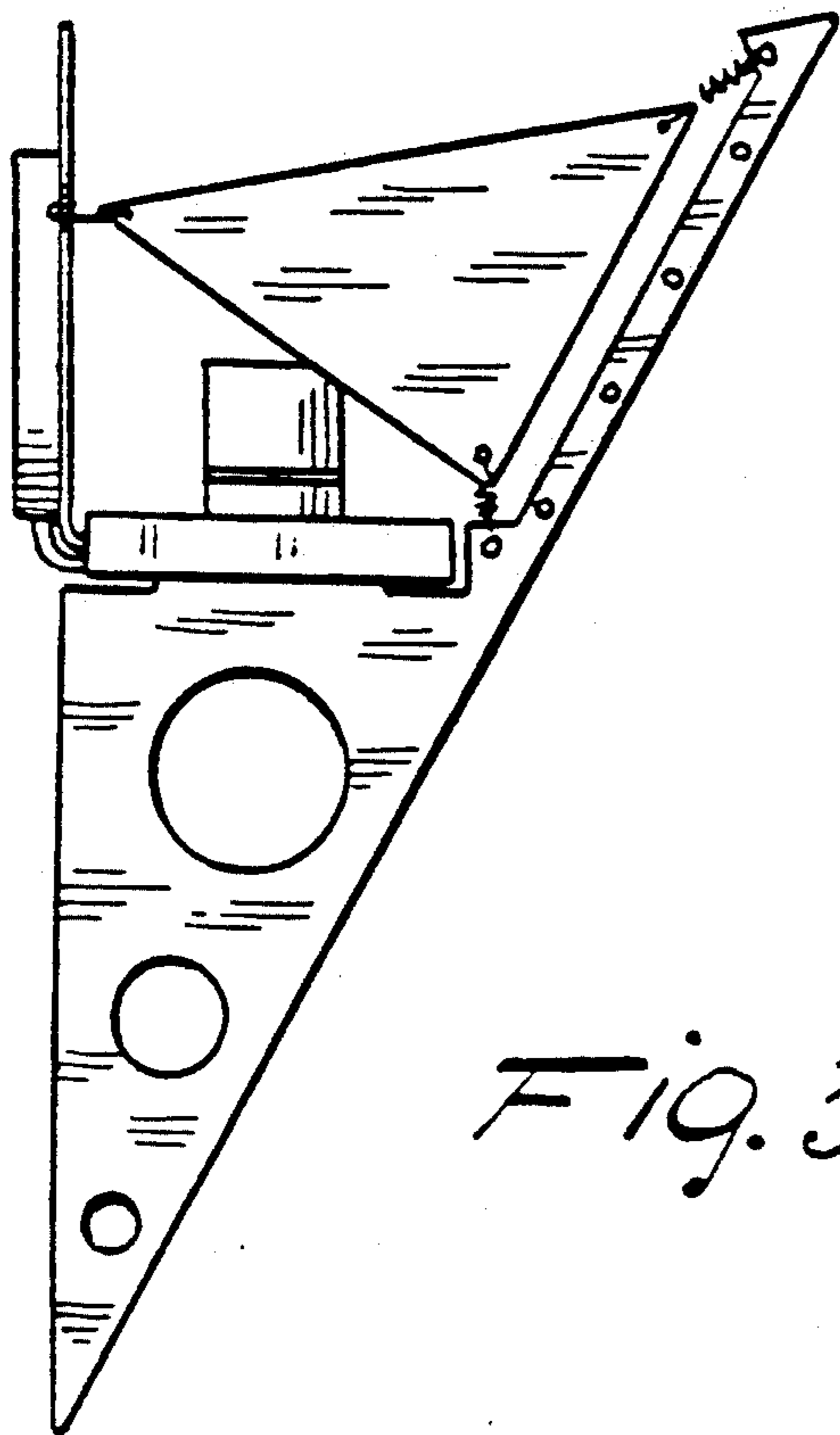


Fig. 3

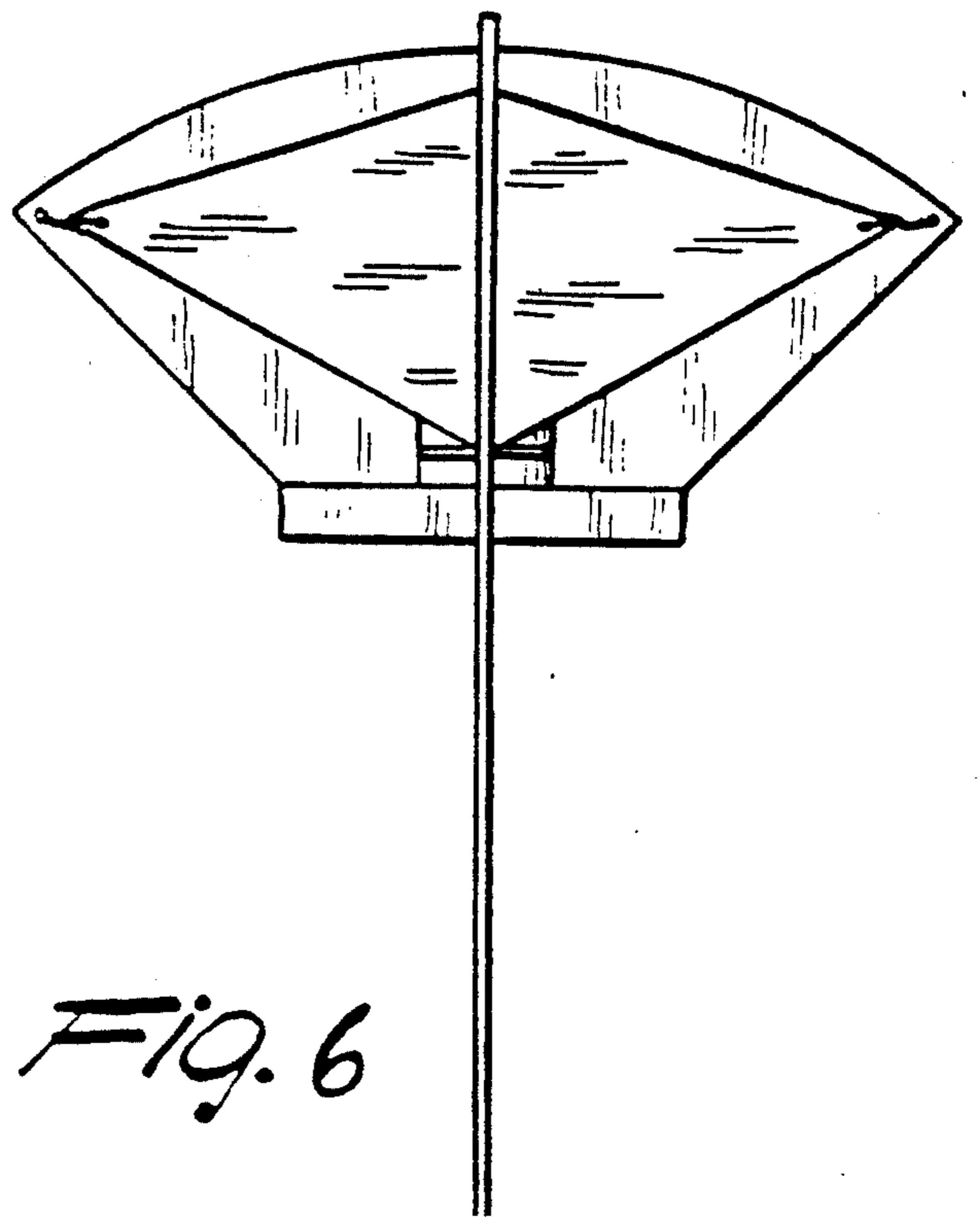
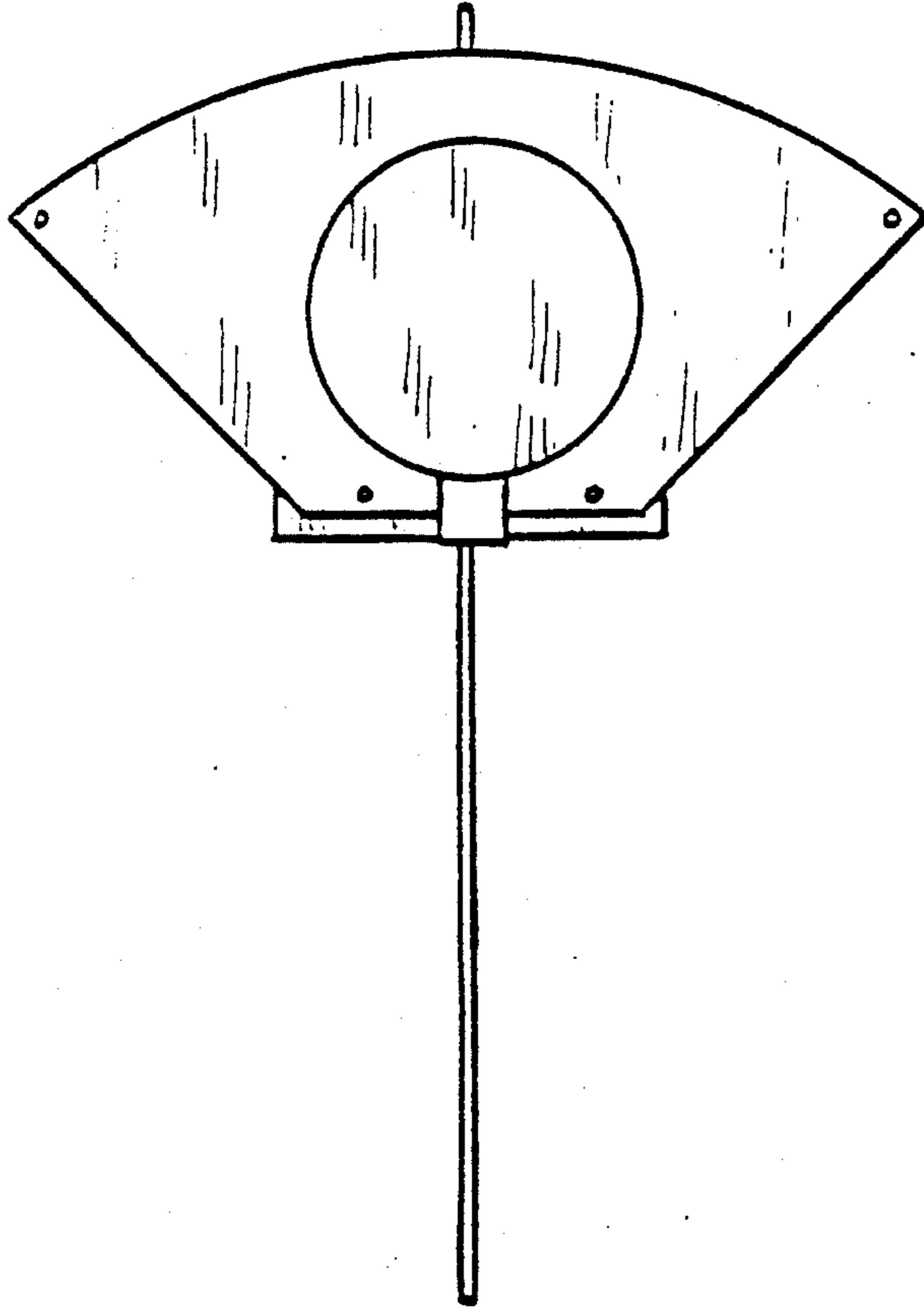
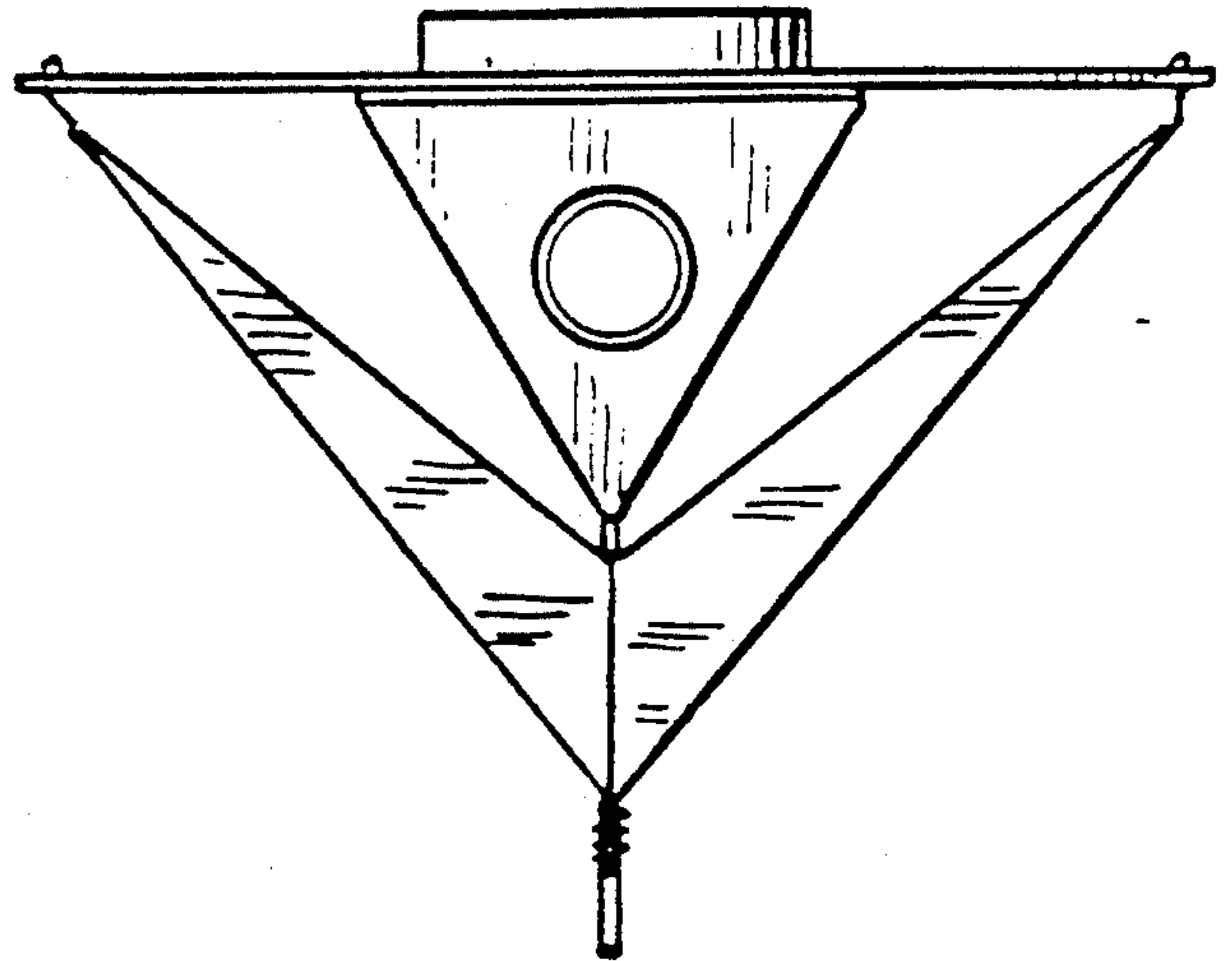


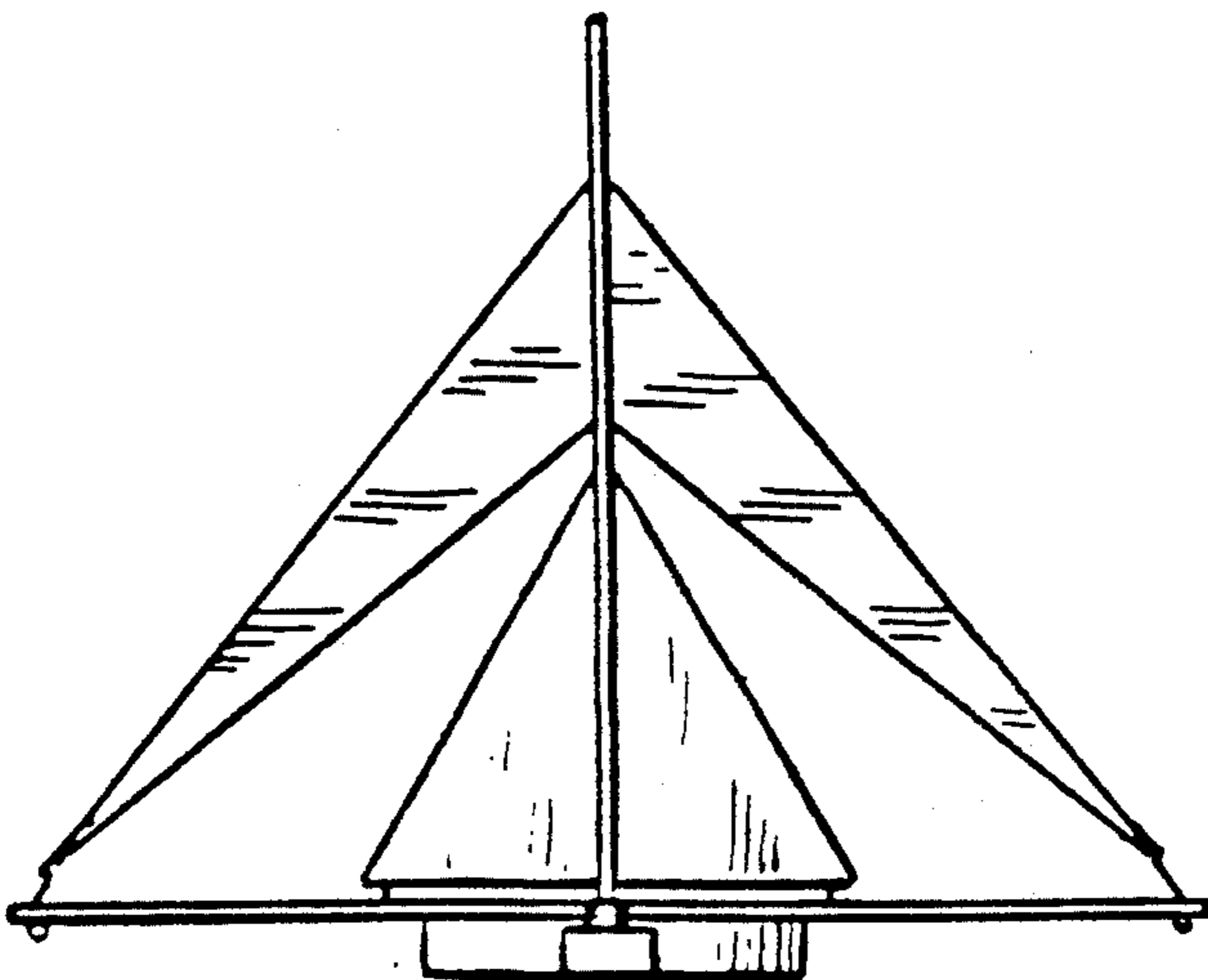
Fig. 6



*Fig. 7*



*Fig. 4*



*Fig. 5*