

United States Patent [19]

Battles et al.

[11] Patent Number: **Des. 319,313**

[45] Date of Patent: **** Aug. 20, 1991**

[54] TANNING POOL

[76] Inventors: **Kimberly E. Battles; Shelley H. Soderstrom**, both of 1272 Garrison Rd., Ashtabula, Ohio 44004

[**] Term: **14 Years**

[21] Appl. No.: **296,588**

[22] Filed: **Jan. 13, 1989**

[52] U.S. Cl. **D24/209; D24/204**

[58] Field of Search **D24/39, 38; 4/573, 575, 4/589, 546, 496; 128/372, 373; D23/277, 278; D25/2**

[56] **References Cited**

U.S. PATENT DOCUMENTS

D. 221,768 9/1971 Saveda D23/278
D. 265,759 8/1982 Weber D24/39

D. 266,788 11/1982 DuBois et al. D24/39
D. 298,055 10/1988 O'Brien D24/39
2,957,184 10/1960 Smith D23/278
3,835,482 9/1974 Tersch 128/372 X

Primary Examiner—Stella Reid
Attorney, Agent, or Firm—J. Helen Slough

[57] **CLAIM**

The ornamental design for a tanning pool, as shown.

DESCRIPTION

FIG. 1 is a perspective view of a tanning pool, showing our new design;
FIG. 2 is a top plan view thereof;
FIG. 3 is a side elevational view thereof;
FIG. 4 is a side elevational view thereof, opposite that shown in FIG. 3;
FIG. 5 is a front elevational view thereof;
FIG. 6 is a rear elevational view thereof; and
FIG. 7 is a bottom plan view thereof.

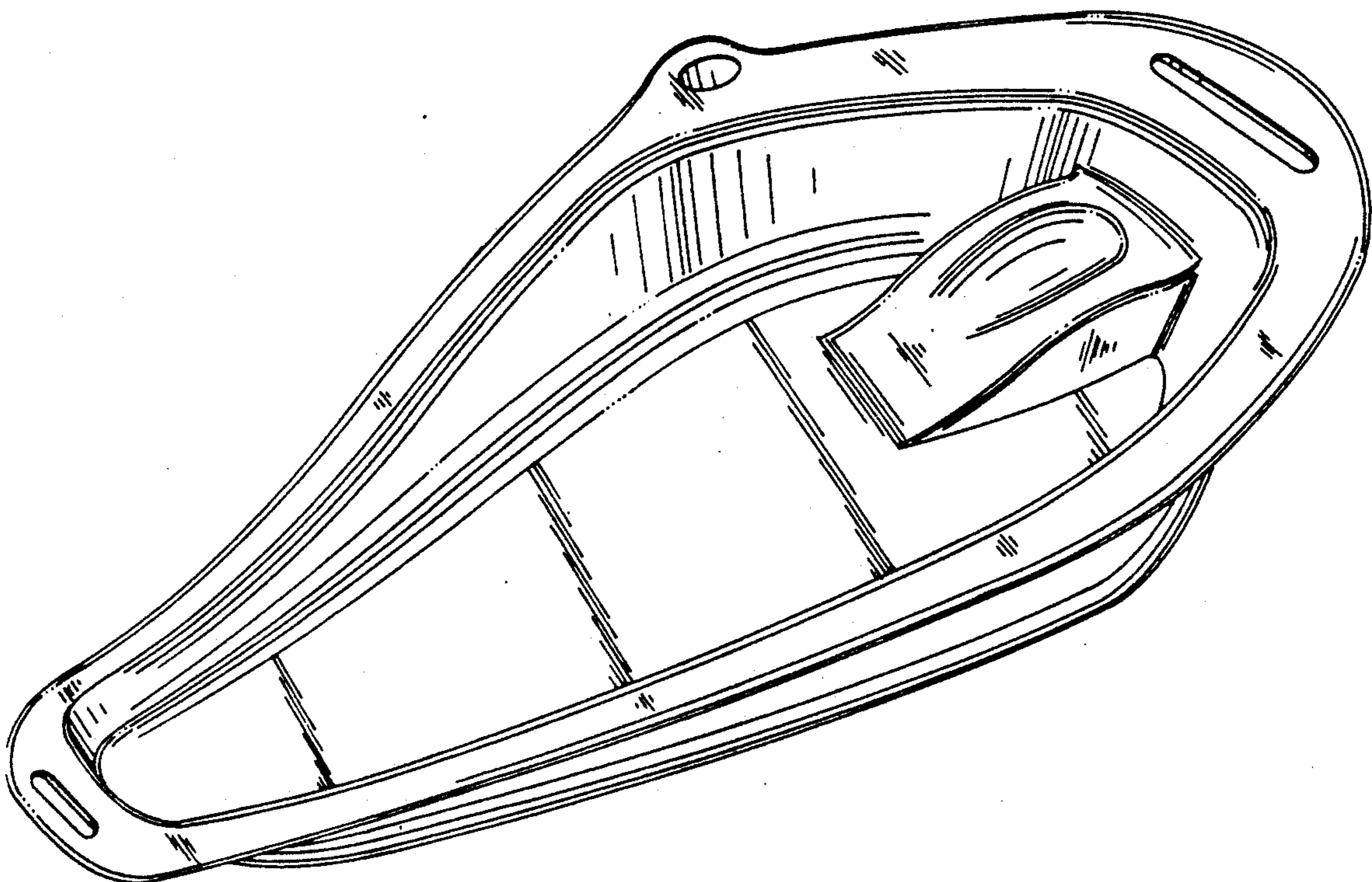


Fig. 1

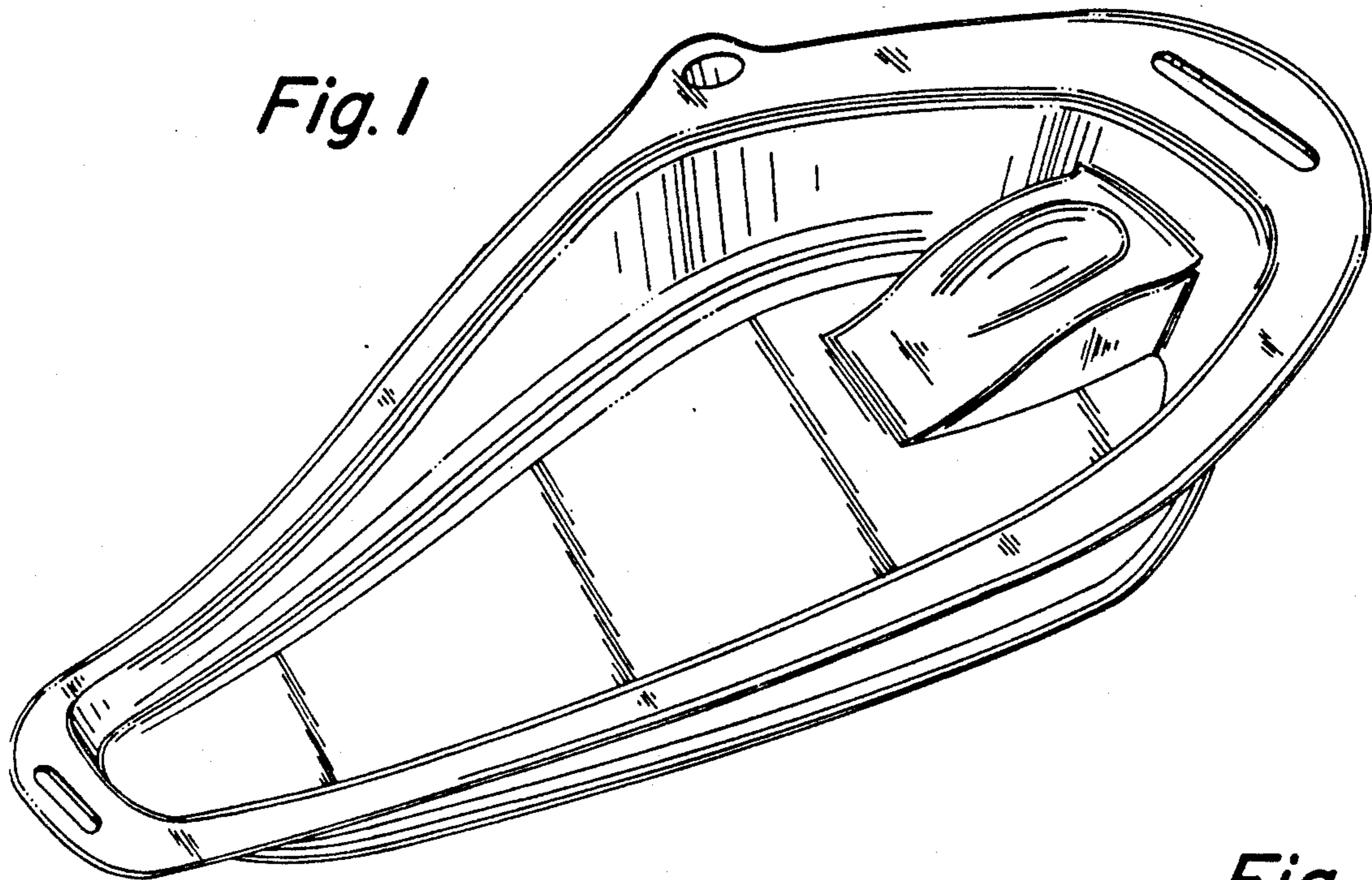


Fig. 2

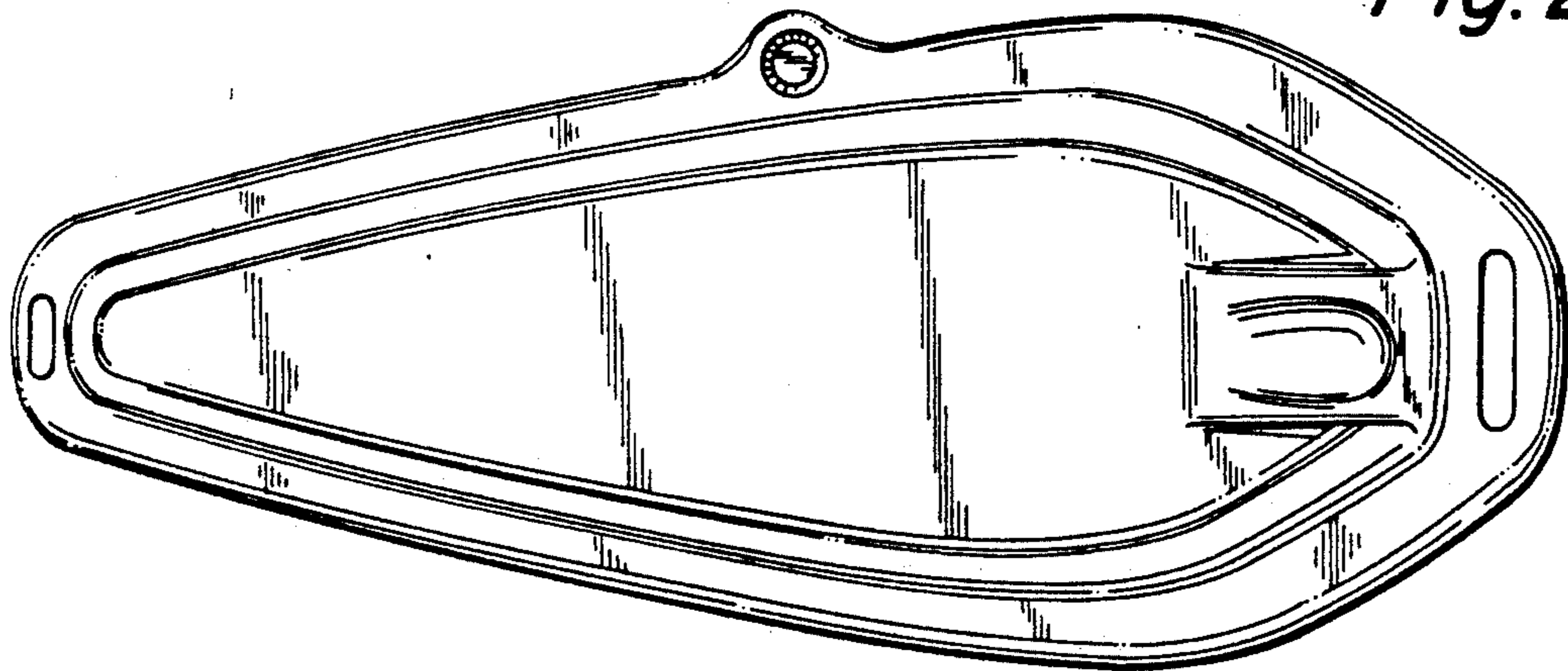
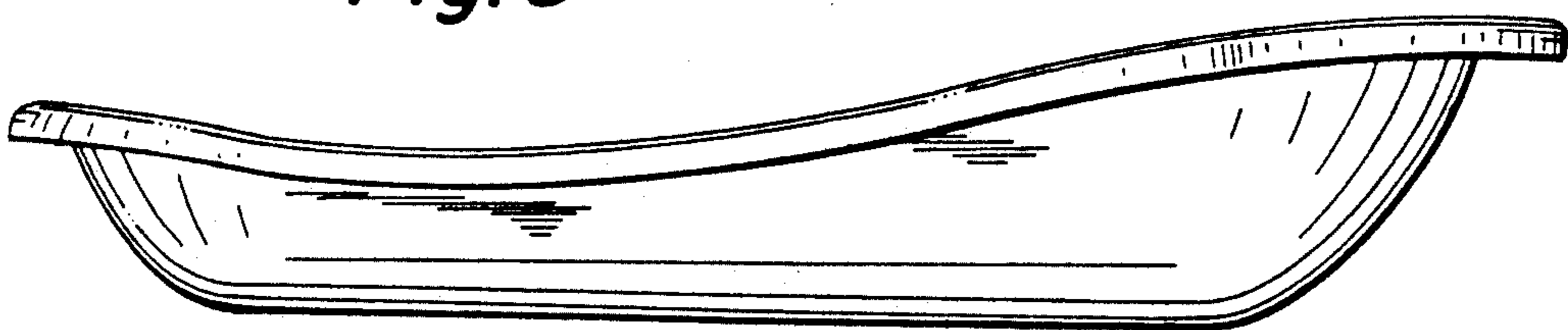


Fig. 3



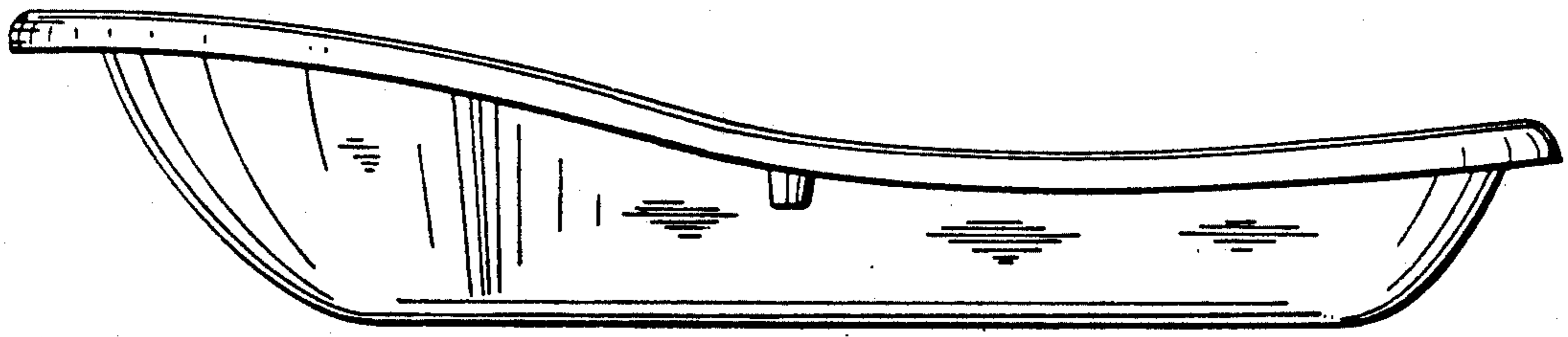


Fig. 4

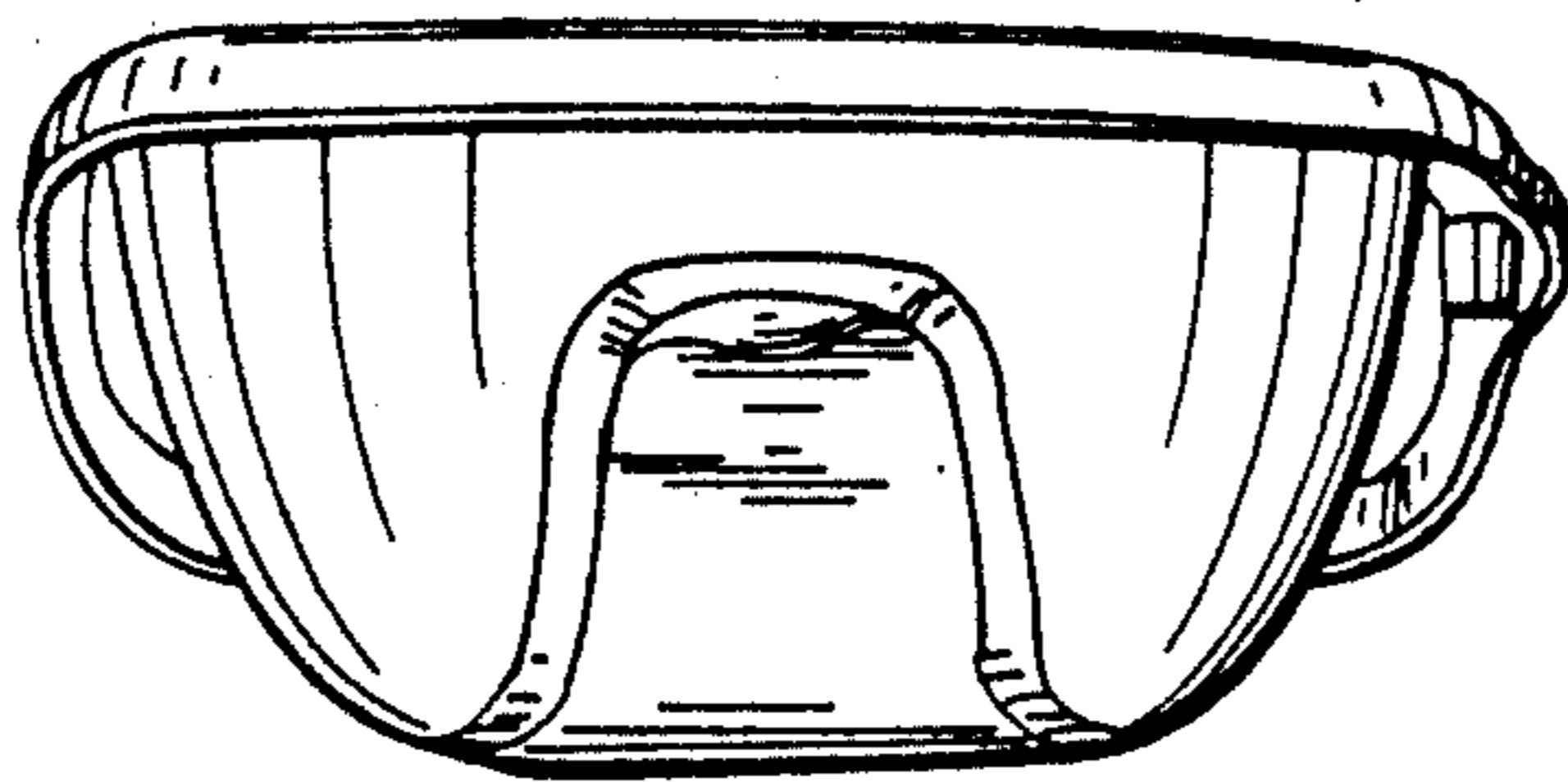


Fig. 5

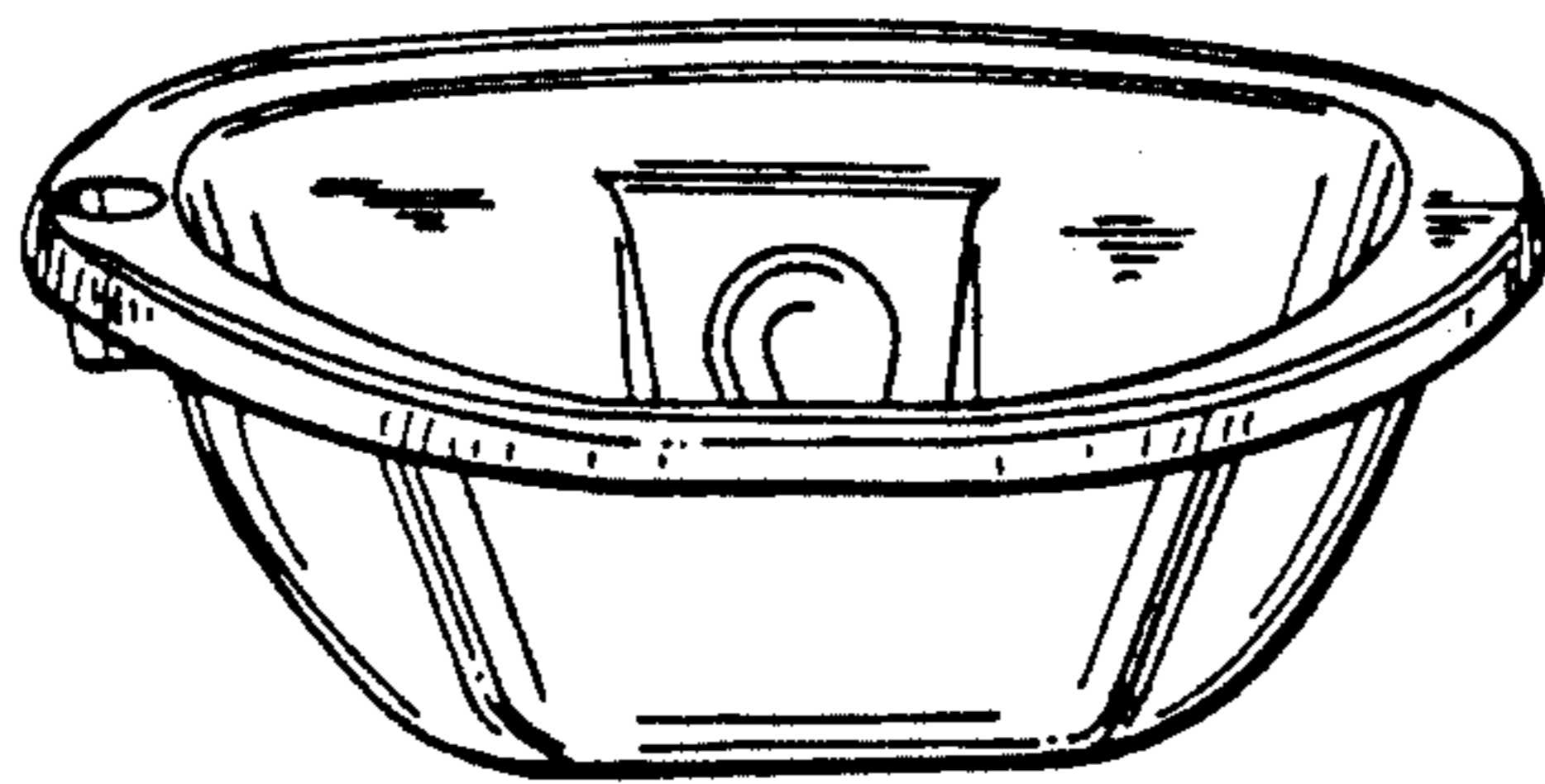


Fig. 6

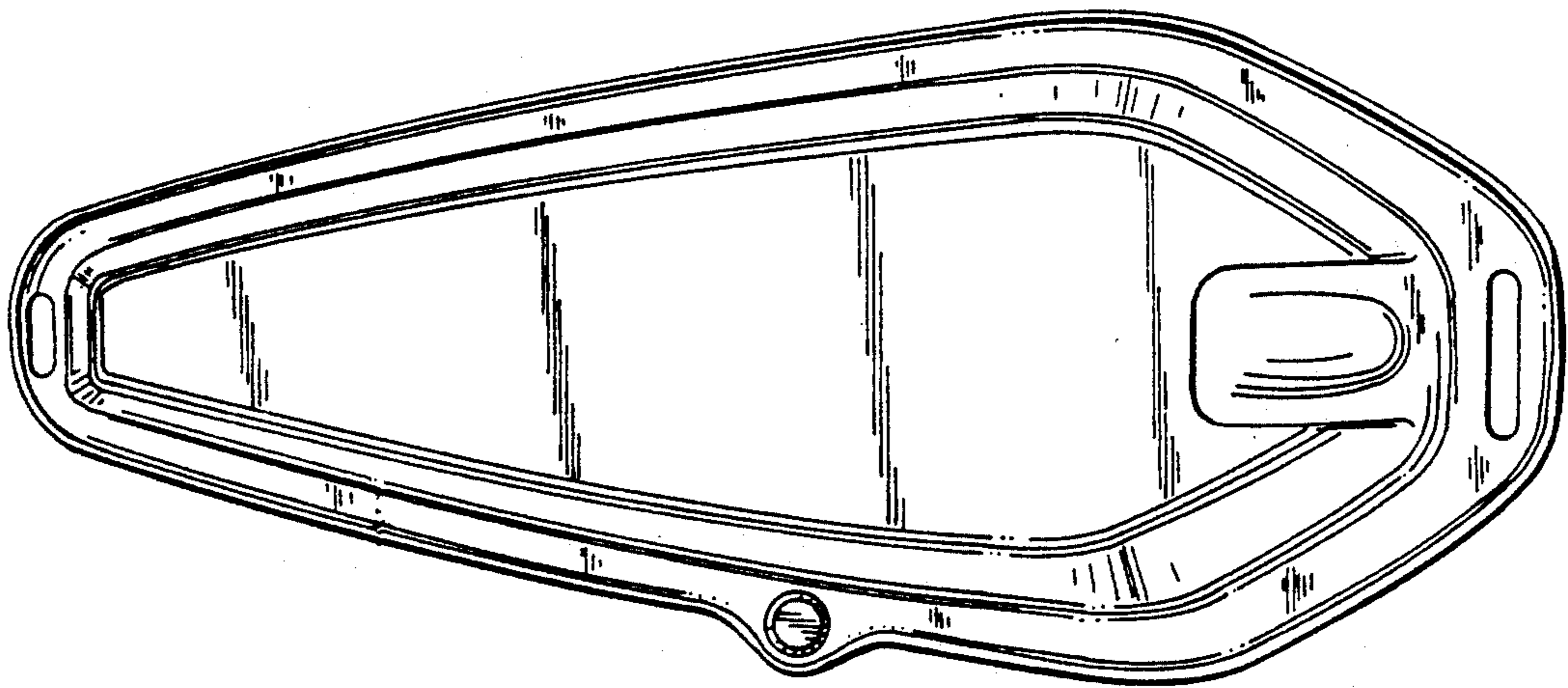


Fig. 7