

[54] **HERMAPHRODITIC COUPLING FOR ANATOMICAL THERMAL SYSTEM**

*Primary Examiner—Stella Reid
Attorney, Agent, or Firm—Tilton, Fallon, Lungmus*

[75] **Inventor: Barry L. Schneider, Deerfield, Ill.**

[57] **CLAIM**

The ornamental design for a hermaphroditic coupling for anatomical thermal system, as shown and described.

[73] **Assignee: Hollister Incorporated, Libertyville, Ill.**

[**] **Term: 14 Years**

[21] **Appl. No.: 308,369**

[22] **Filed: Feb. 8, 1989**

[52] **U.S. Cl. D24/129**

[58] **Field of Search D24/53, 29; 128/400; 604/249, 284; 251/149.7, 149.6; 137/614.04; D13/133, 146, 147; D23/262**

DESCRIPTION

FIG. 1 is a perspective view of a hermaphroditic coupling for anatomical thermal system, showing my new design, in connected condition;
FIG. 2 is a perspective view of one half of the coupling;
FIG. 3 is another perspective view of one half of the coupling;
FIG. 4 is a top plan view of one half of the coupling;
FIG. 5 is an end view of one half of the coupling;
FIG. 6 is the opposite end view of one half of the coupling;
FIG. 7 is a side view of one end of the coupling; and
FIG. 8 is a the other side view of one half of the coupling.

[56] **References Cited**

U.S. PATENT DOCUMENTS

D. 227,990	7/1973	Brinser et al.	D23/133
D. 300,819	4/1989	Orbanic	D13/147
488,717	12/1892	Pettet	137/614.04 X
1,239,345	9/1917	Brown	251/149.7 X
4,753,268	1/1988	Palau	251/149.6 X
4,915,643	4/1990	Samejima et al.	D13/146 X

The opposite sides of Figs. 1-4 are identical to that shown.

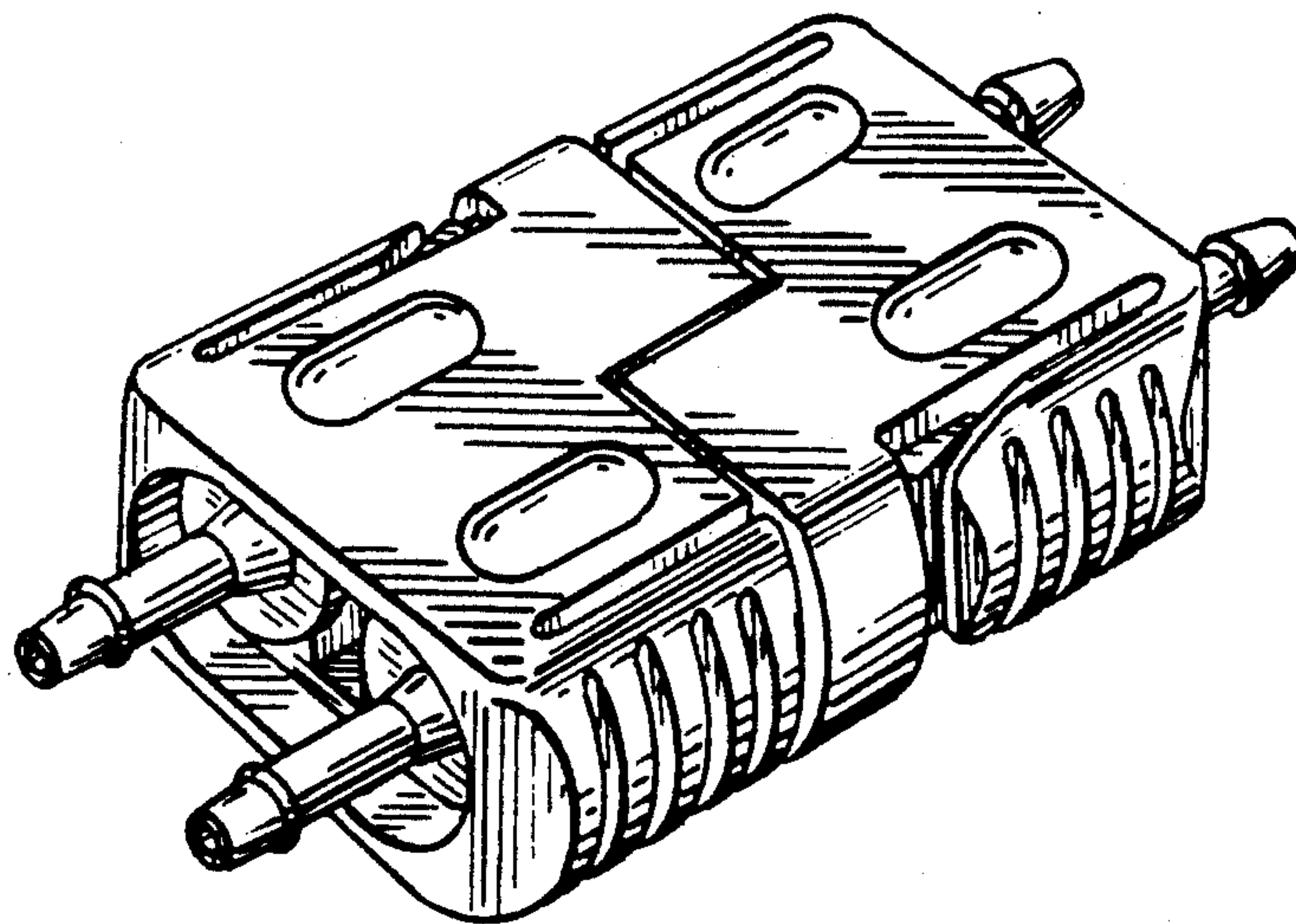


FIG. 1

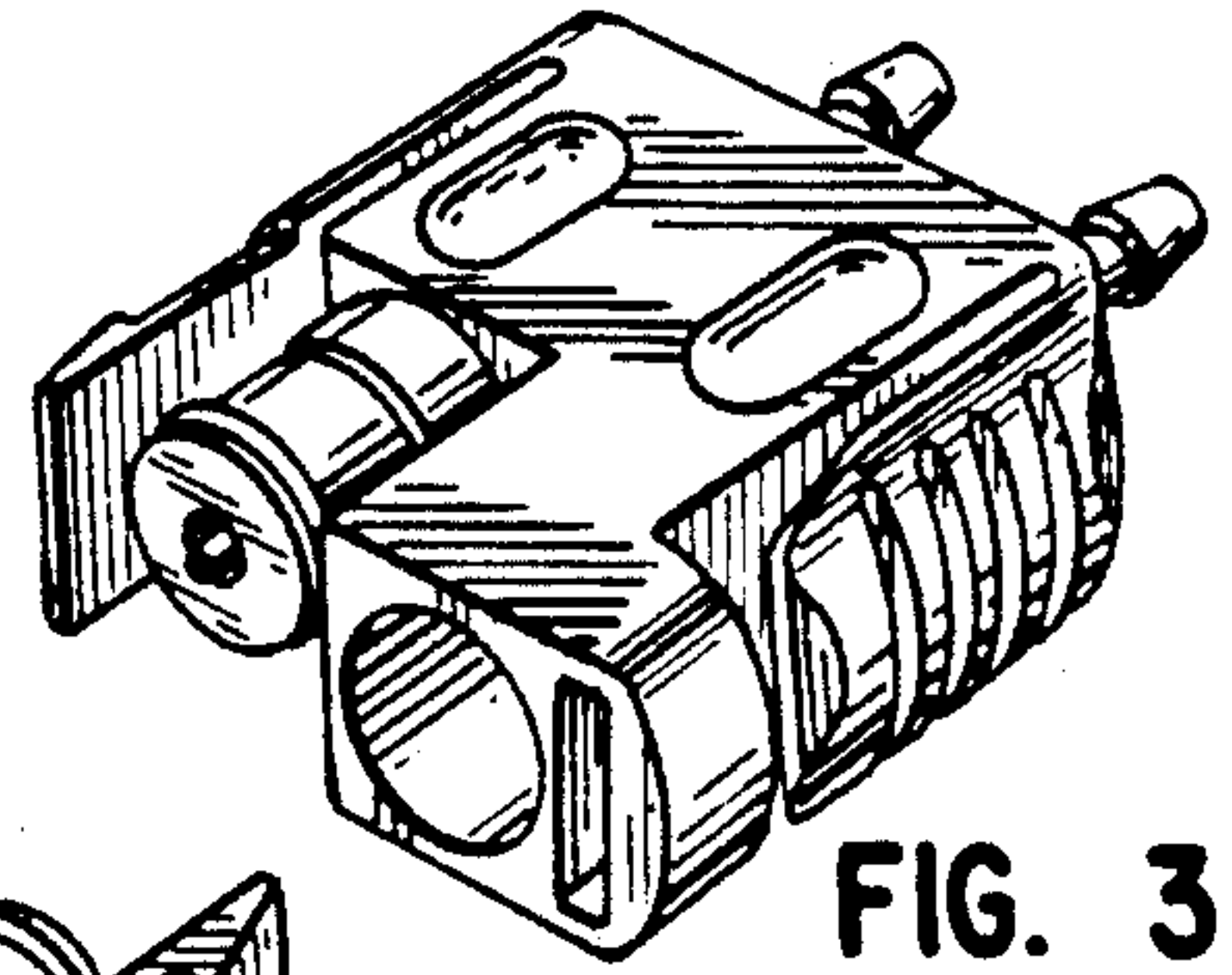
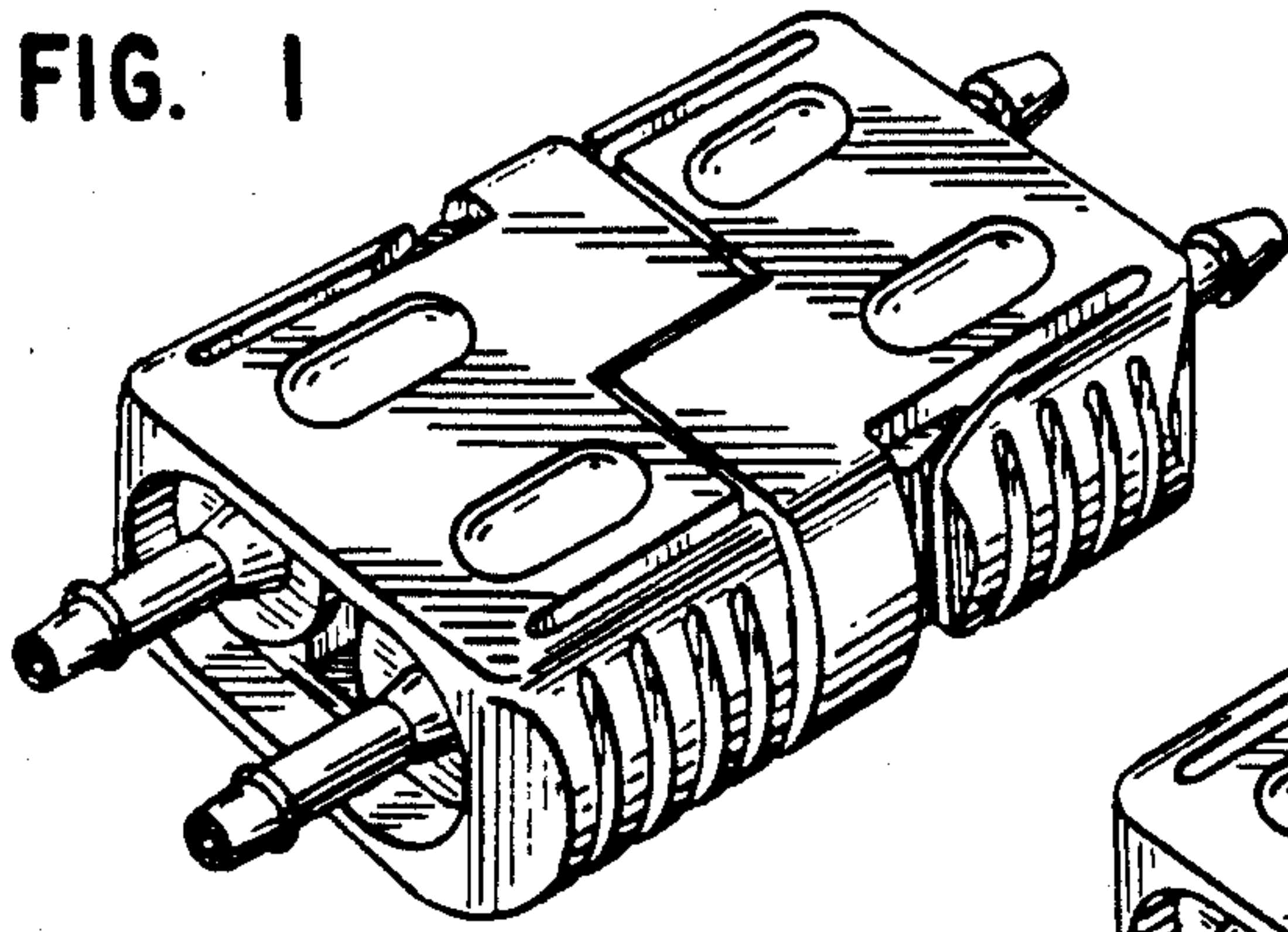


FIG. 3

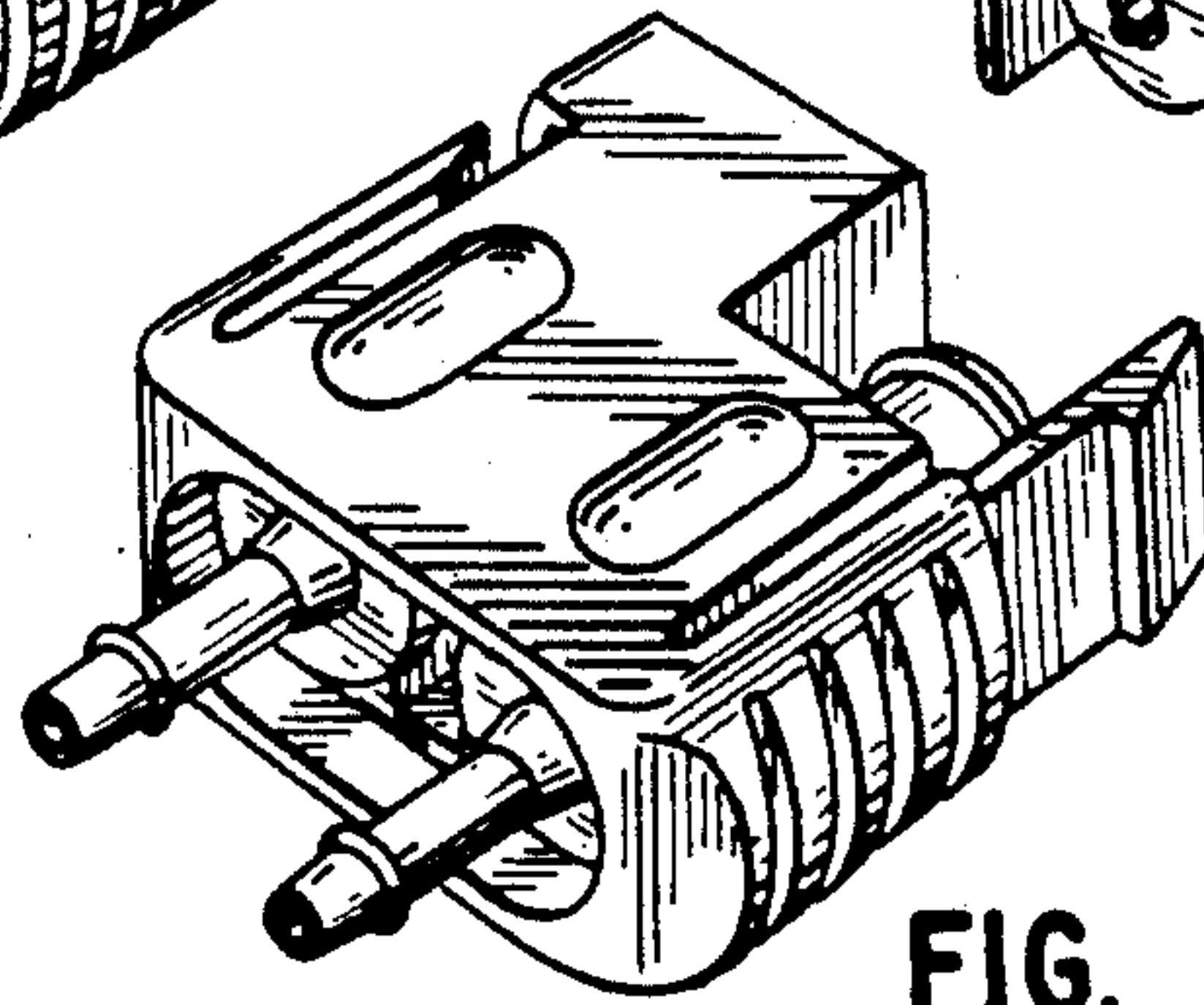


FIG. 2



FIG. 7

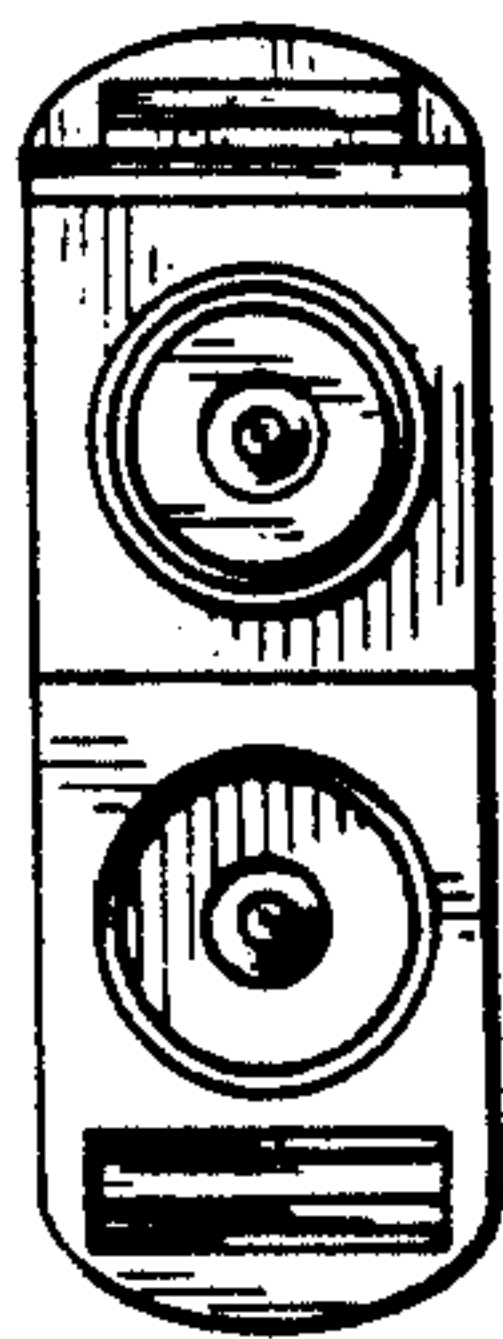


FIG. 5

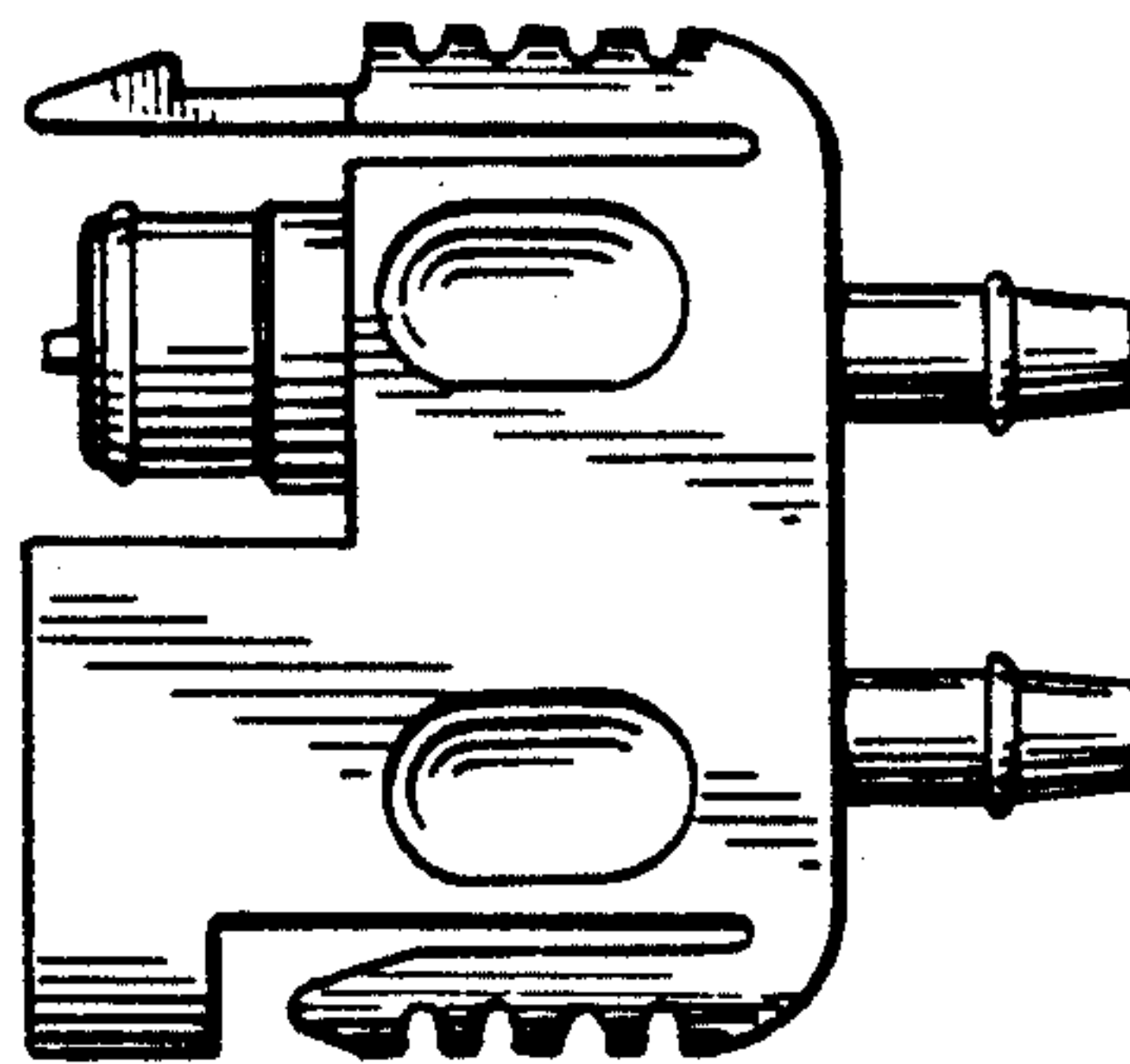


FIG. 4

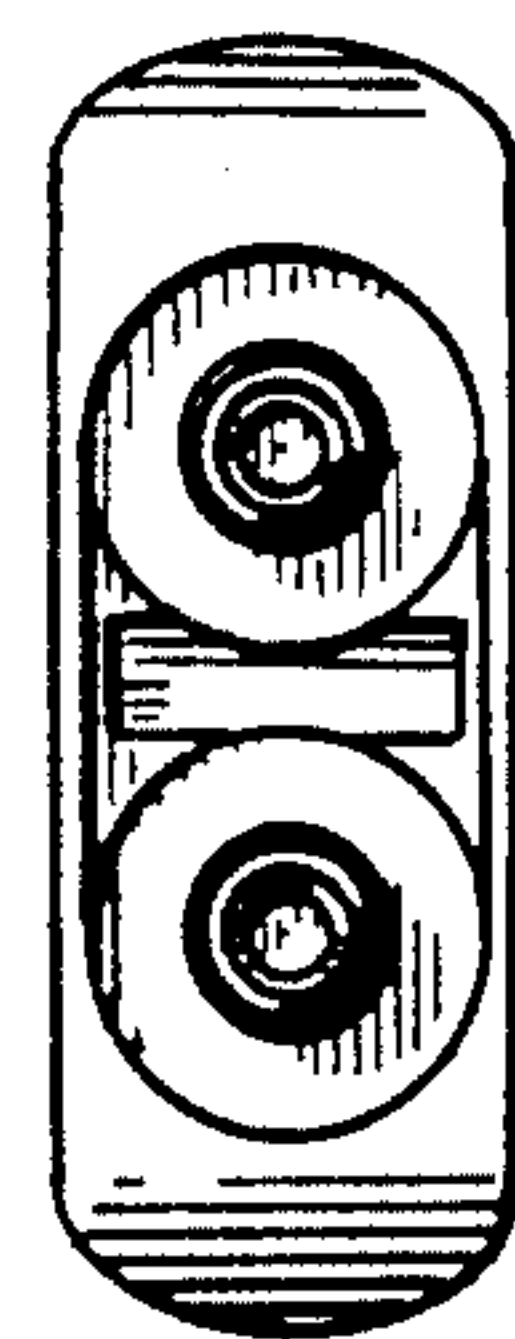


FIG. 6



FIG. 8