

[54] CUFF-FORMING VEIN STRAP

[75] Inventor: Wolfgang W. Köhler, Lane Cove, Australia

[73] Assignee: Vaso Products Australia Pty. Limited, Artarmon, Australia

[\*\*] Term: 14 Years

[21] Appl. No.: 218,122

[22] Filed: Jul. 13, 1988

[30] Foreign Application Priority Data

Jan. 13, 1988 [AU] Australia ..... 0111/88

[52] U.S. Cl. .... D24/143; D24/165

[58] Field of Search ..... D24/34, 99, 26, 27, D24/29; 24/19; 606/151, 158, 157

[56] References Cited

U.S. PATENT DOCUMENTS

3,726,279	4/1973	Barefoot et al. ....	606/151
3,730,186	5/1973	Edmunds, Jr. et al. ....	606/158
4,602,632	7/1986	Jorgensen .....	606/158
4,621,635	11/1986	Ali .....	606/158 X

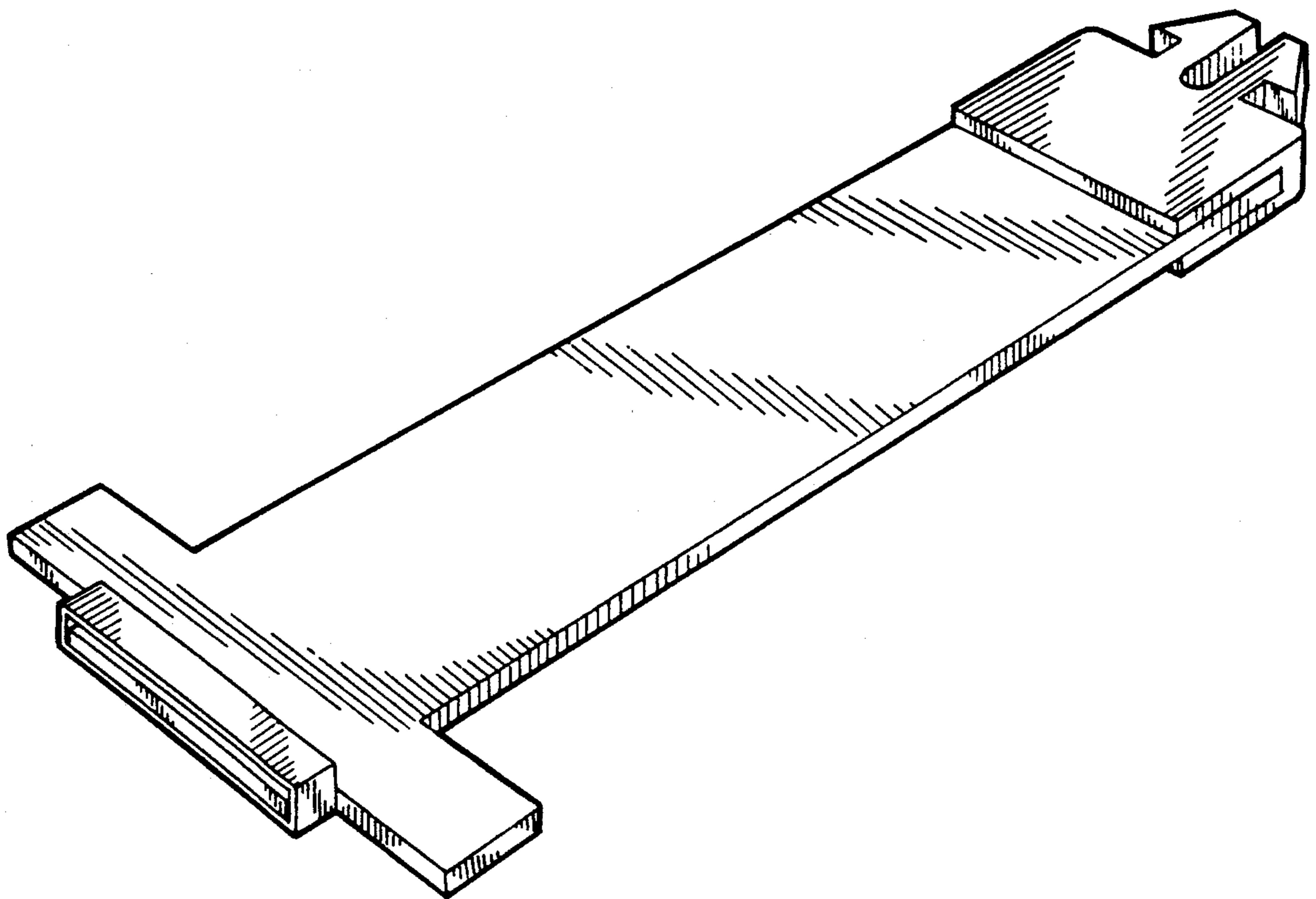
Primary Examiner—Stella Reid  
Attorney, Agent, or Firm—Oblon, Spivak, McClelland, Maier & Neustadt

[57] CLAIM

The ornamental design for a cuff-forming vein strap, as shown.

DESCRIPTION

FIG. 1 is a perspective view of a cuff-forming vein strap, showing my new design; FIG. 2 is a plan view thereof; FIG. 3 is a plan view opposite that shown in FIG. 2; FIG. 4 is a right side elevational view thereof; FIG. 5 is a left side elevational view thereof; FIG. 6 is a front elevational view thereof; and FIG. 7 is a rear elevational view thereof.



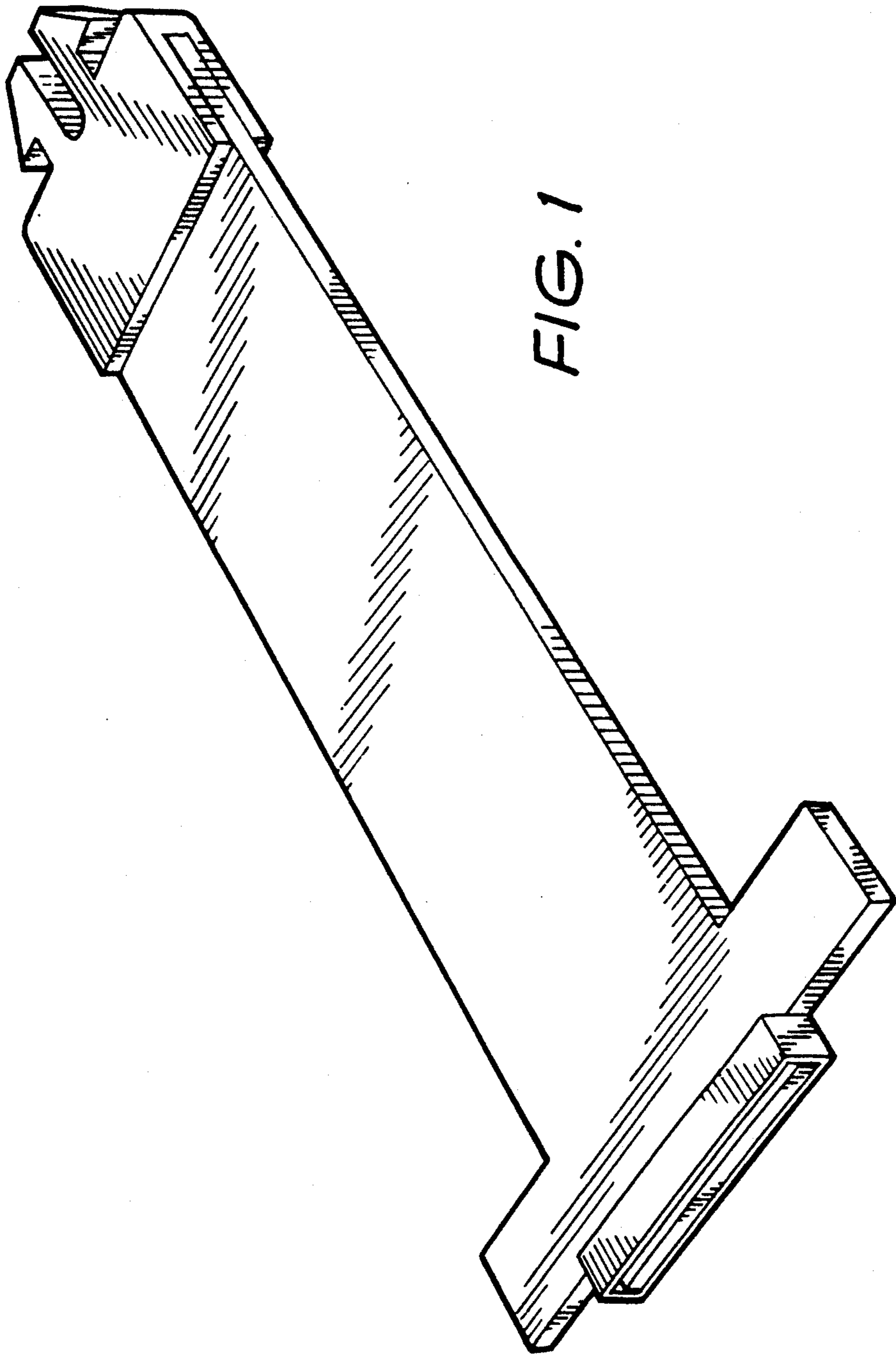
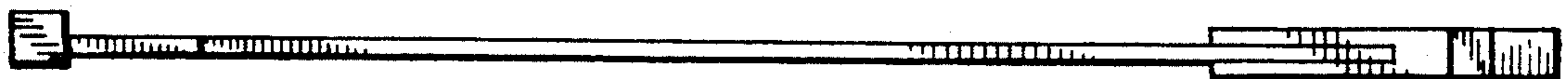
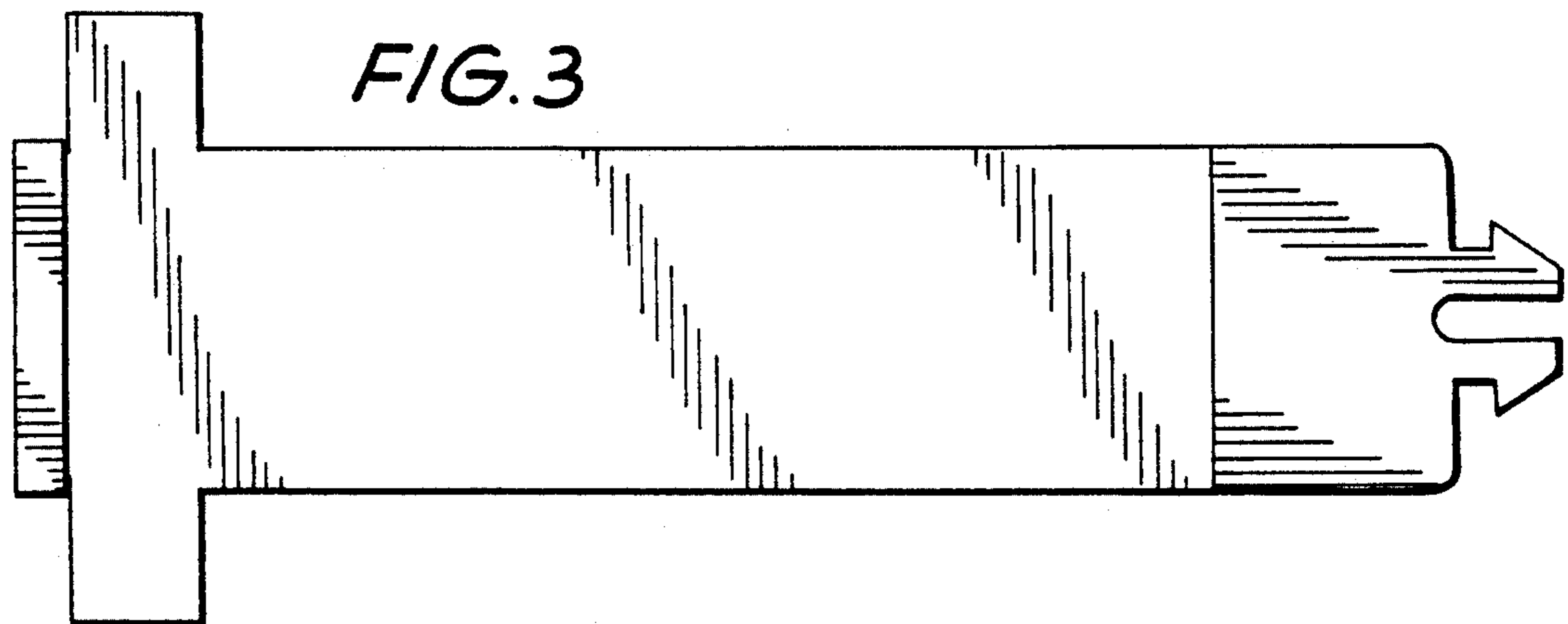
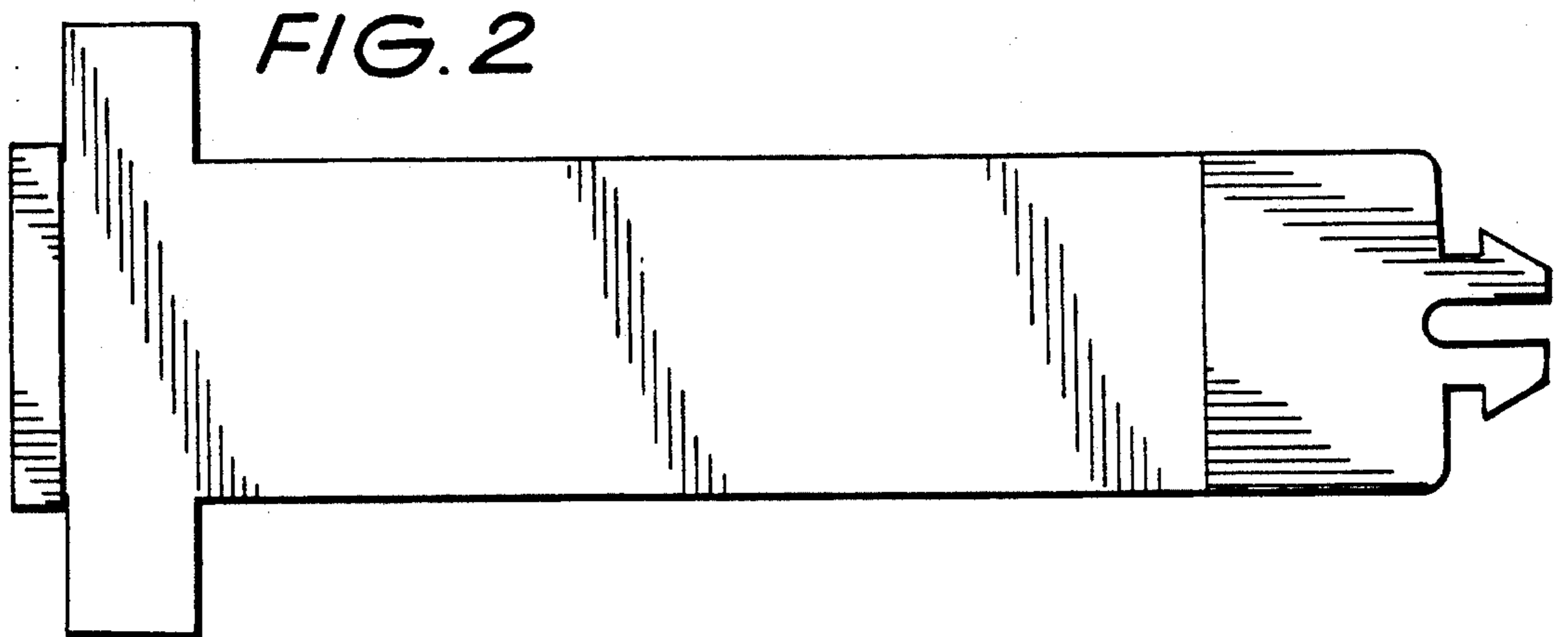


FIG. 1



*FIG. 4*



*FIG. 5*



*FIG. 6*



*FIG. 7*