

[54] **KITCHEN SINK OR THE LIKE**

[75] **Inventor: Henry M. Stairs, Jr., Ligonier, Pa.**

[73] **Assignee: American Standard Inc., New York, N.Y.**

[**] **Term: 14 Years**

[21] **Appl. No.: 322,012**

[22] **Filed: Mar. 13, 1989**

[52] **U.S. Cl. D23/288; D23/290**

[58] **Field of Search D23/270-274,
D23/284-294, 308; 4/619, 625, 635-665**

[56] **References Cited**

U.S. PATENT DOCUMENTS

D. 116,564	9/1939	Love	D23/290
D. 186,356	10/1959	Sporek	D23/290
D. 192,412	3/1962	Forsman	D23/290
1,913,820	6/1933	Russel	D23/289 X
2,023,692	12/1935	McQuinn	D23/290 X
2,028,802	1/1936	Ottke	D23/290 X

OTHER PUBLICATIONS

Domestic Engineering, Mar. 1963, p. 33.
House & Home, Dec. 1961, p. 56, top center item.
House & Home, Jun. 1966, p. 126, top item.

Primary Examiner—James R. Largen
Attorney, Agent, or Firm—Jon P. Sinnott

[57] **CLAIM**

The ornamental design for a kitchen sink or the like, as shown and described.

DESCRIPTION

FIG. 1 is a perspective view taken from the top, front and left side of a kitchen sink or the like showing my new design;

FIG. 2 is a top plan view thereof;

FIG. 3 is a front elevational view thereof;

FIG. 4 is a bottom plan view thereof;

FIG. 5 is a rear elevational view thereof;

FIG. 6 is a left side elevational view thereof, the right side being a mirror image of the left side; and

FIG. 7 is a cross-sectional view taken on line 7—7 of FIG. 1.

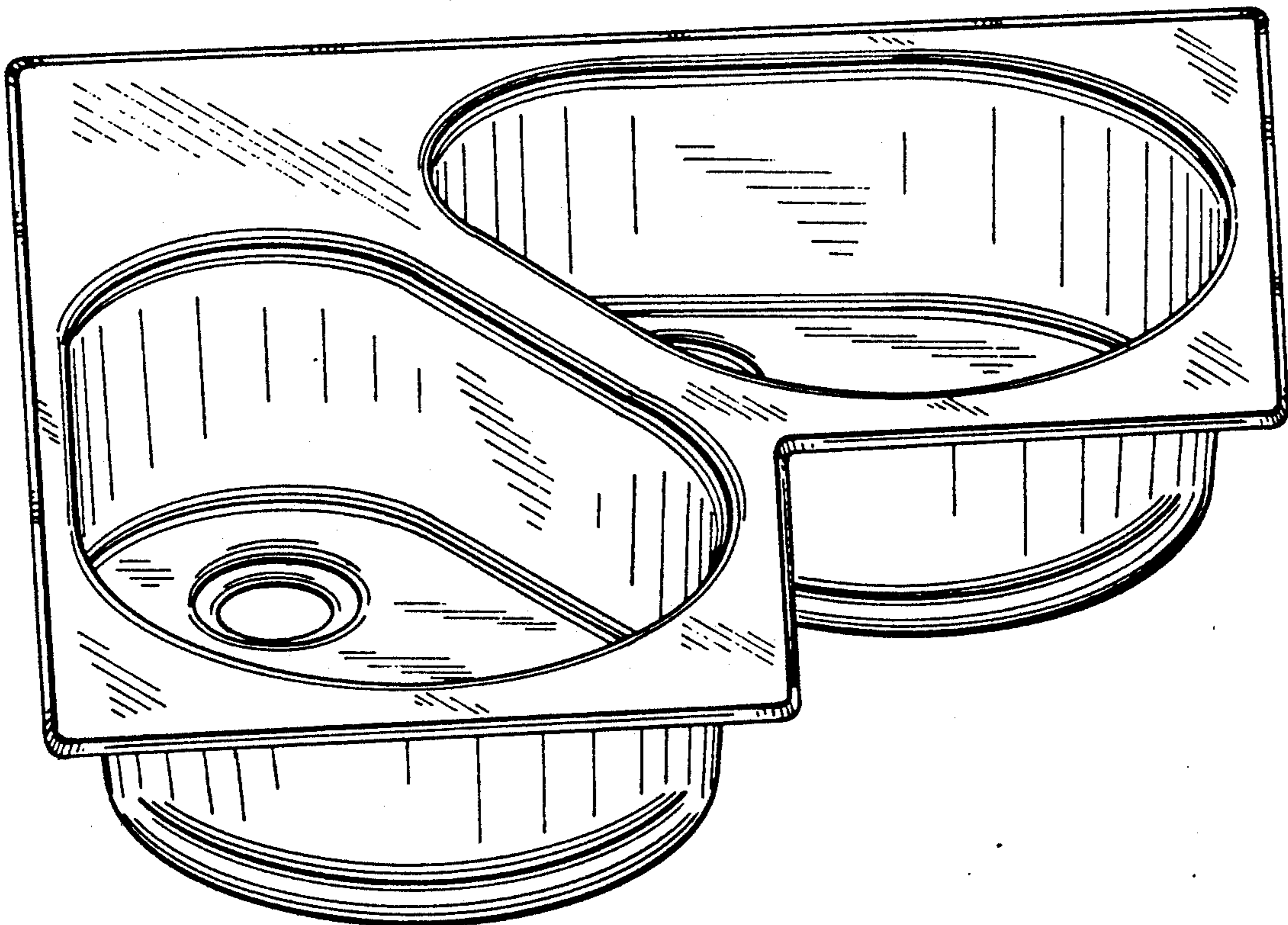
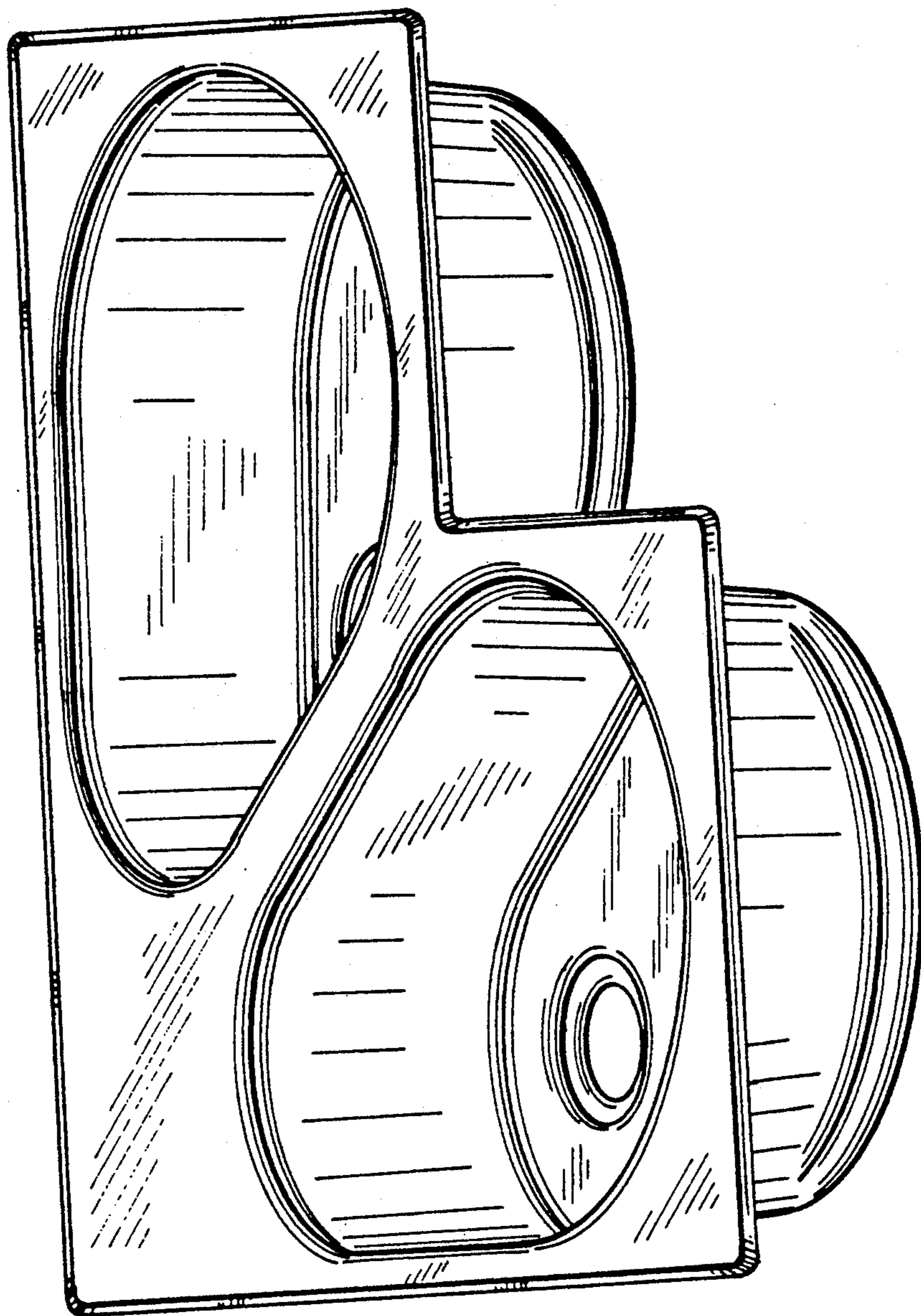


FIG. 1



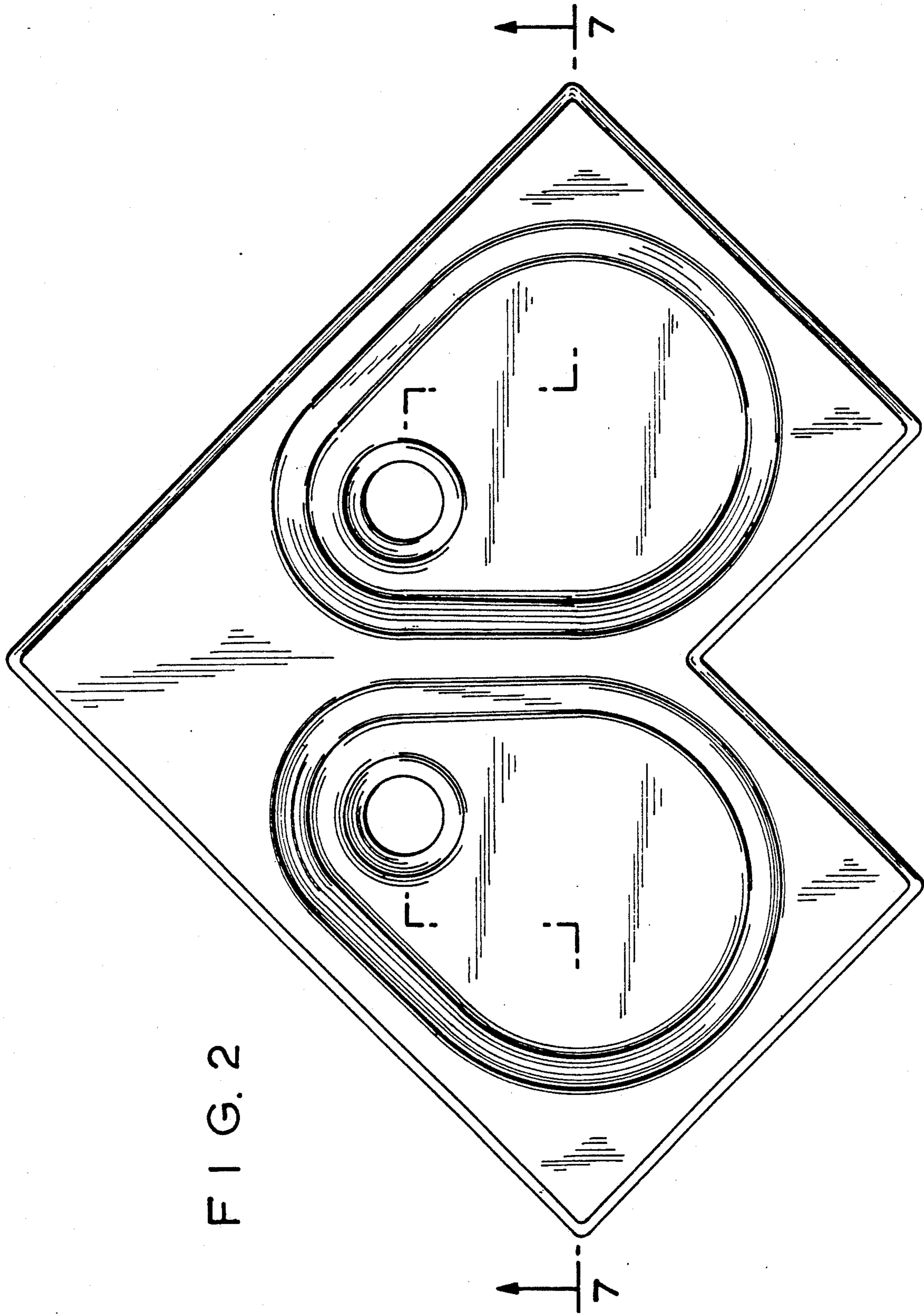


FIG. 2

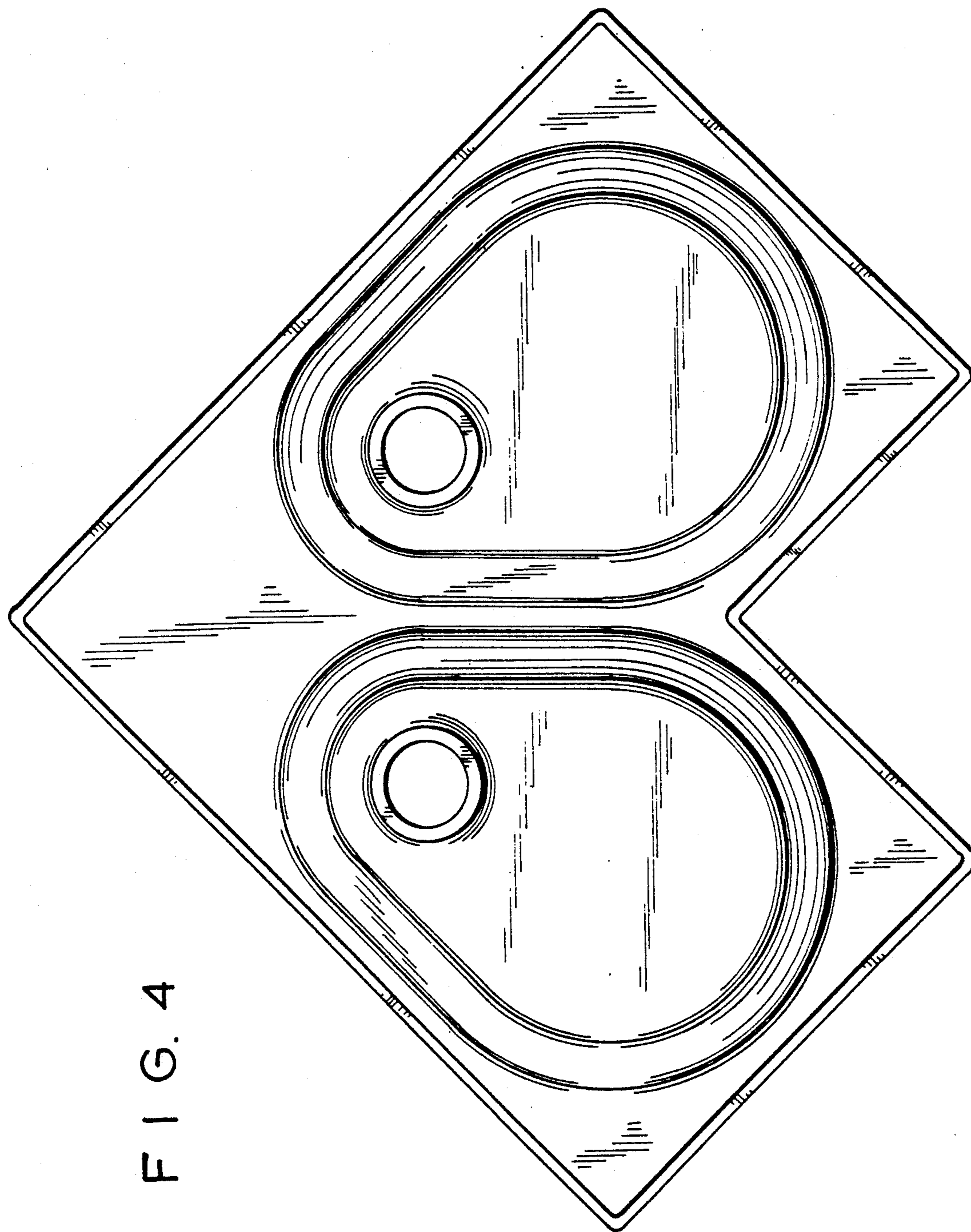


FIG. 4

FIG. 3

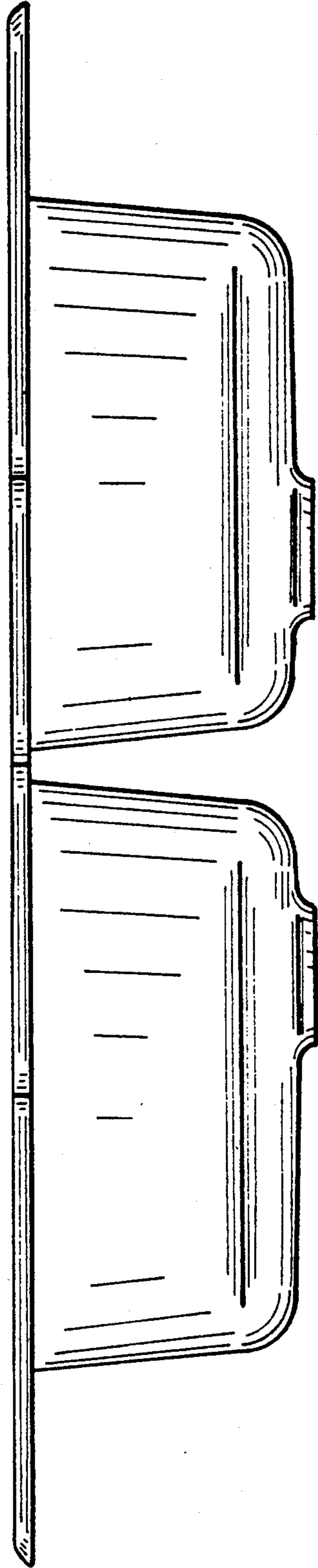


FIG. 5

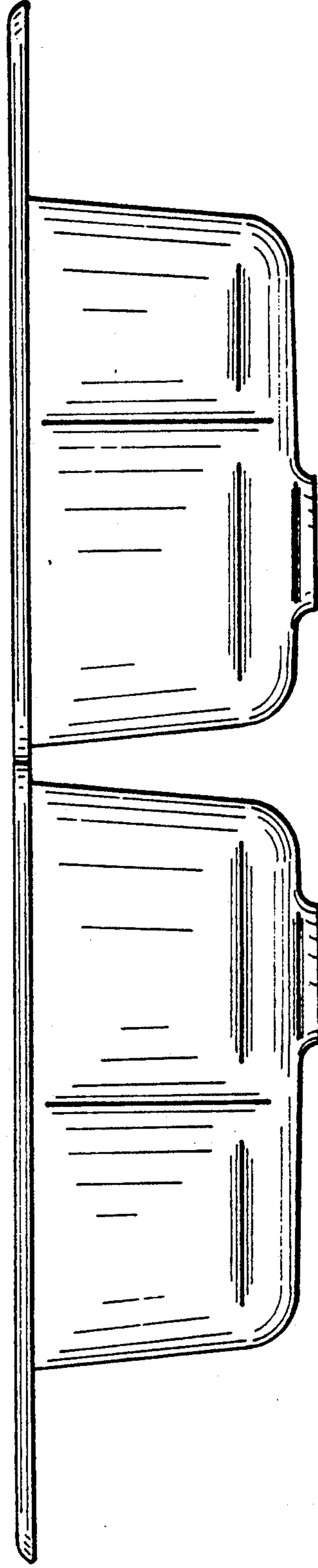


FIG. 6

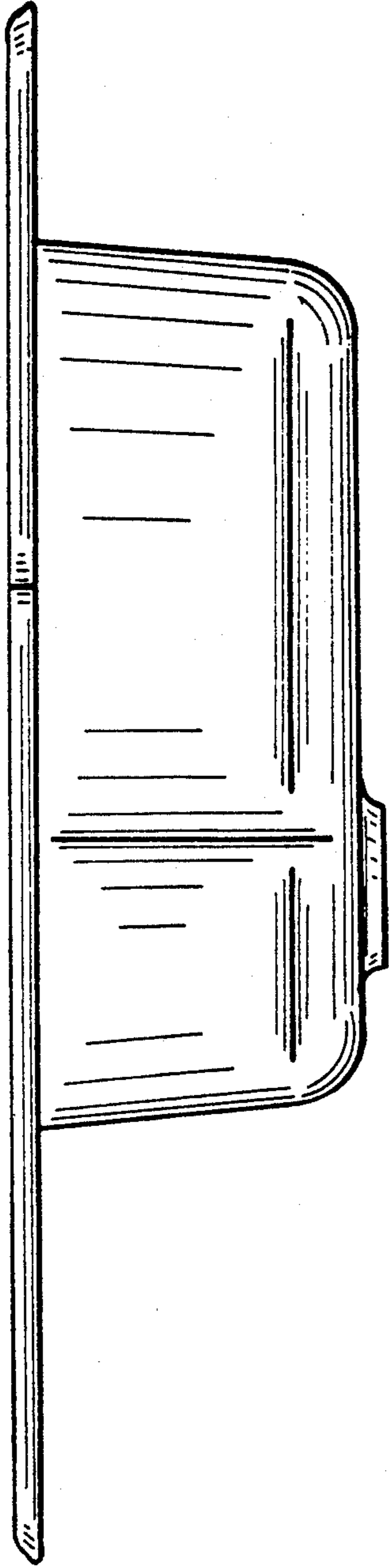


FIG. 7

