

[54] COMBINED HANDLE AND ESCUTCHEON

D. 285,245 8/1986 Ogilvip ..... D23/254

[75] Inventors: Herbert V. Kohler, Jr., Kohler; Mary J. Reid, Sheboygan; Bruce M. Sauter, Kohler; Alan D. Bengtson, Sheboygan, all of Wis.

[73] Assignee: Kohler Co., Kohler, Wis.

[\*\*] Term: 14 Years

[21] Appl. No.: 144,445

[22] Filed: Jan. 12, 1988

[52] U.S. Cl. .... D23/254

[58] Field of Search ..... D23/238-243, D23/249-254; D8/300, 307-312, 352, 353; 4/191, 192; 137/801; 16/121

[56] References Cited

U.S. PATENT DOCUMENTS

D. 180,254	5/1957	Tiller .....	D23/252
D. 187,206	2/1960	Dreyfuss .....	D23/252
D. 194,229	12/1962	Landell et al. ....	D23/254
D. 203,795	2/1966	Harvey et al. ....	D23/254
D. 213,779	4/1969	DuBois .....	D23/251
D. 226,090	1/1973	DuBois .....	D23/251
D. 241,440	9/1976	Doman .	
D. 263,989	4/1982	Fleischmann et al. .	
D. 285,107	8/1986	Ogilvip .....	D23/254
D. 285,108	8/1986	Ogilvip .....	D23/254

OTHER PUBLICATIONS

Page 26 of a Harden Catalog, Undated, Showing The D-57-WS-9 Mixer. (admitted prior art).  
3-2 and 3-3b of the 1987 Kohler Co. Plumbing Products Catalog. (admitted prior art).  
BDF-AB-3204/PC, p. 138 XSITE Catalog, 1987.

Primary Examiner—James R. Largen  
Attorney, Agent, or Firm—Quarles & Brady

[57] CLAIM

The ornamental design for a combined handle and escutcheon, as shown and described.

DESCRIPTION

FIG. 1 is a perspective view taken from the top, front and left side of a combined handle and escutcheon showing our new design;

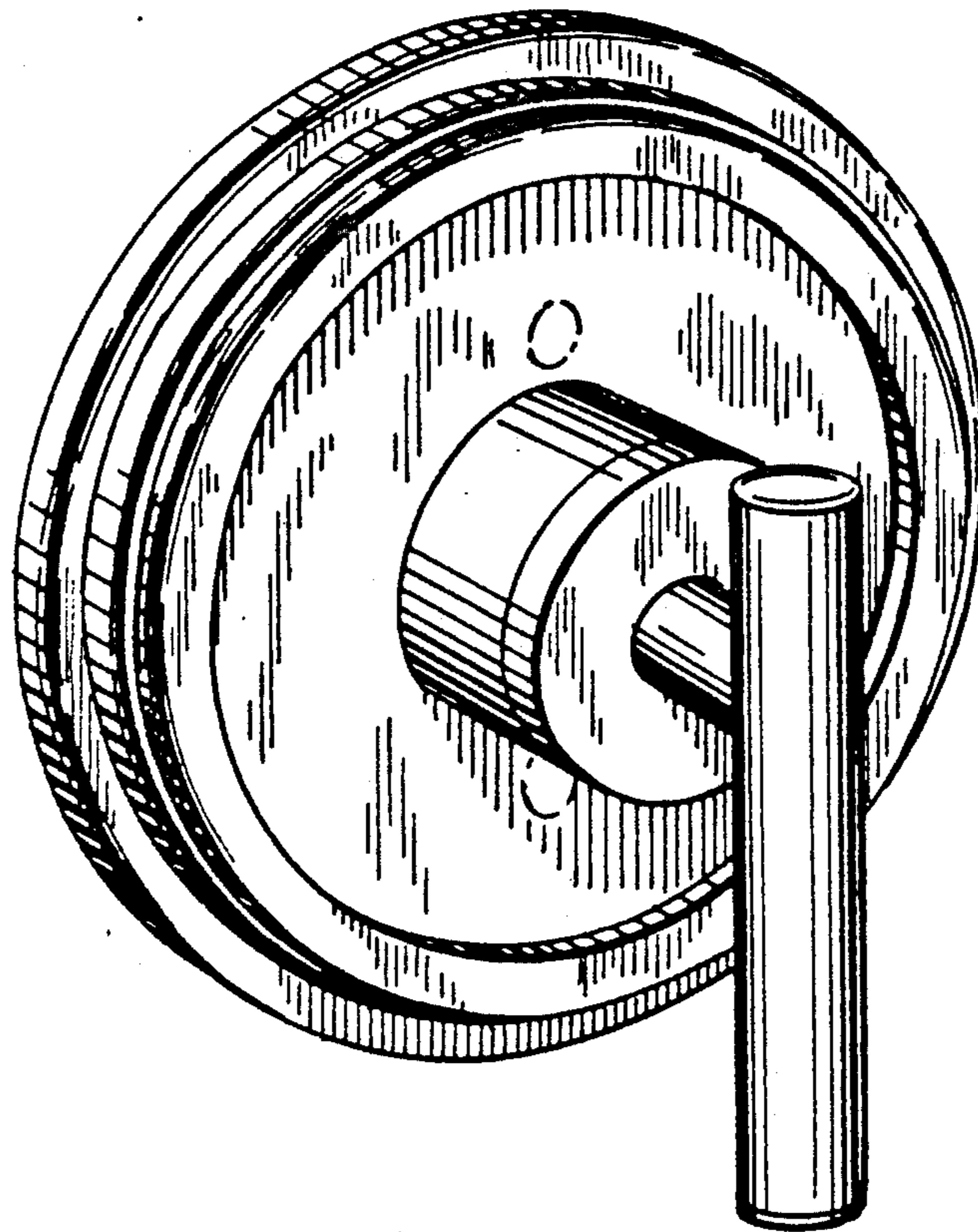
FIG. 2 is a front elevational view thereof;

FIG. 3 is a left side elevational view thereof, the right side being a mirror image of the left side shown;

FIG. 4 is a top plan view thereof, the bottom being a mirror image of the top shown;

FIG. 5 is a rear elevational view thereof.

The fragmentary broken line representations of mounting holes in FIGS. 1, 2, and 5 are for the purpose of illustration only and forms no part of the claimed design.



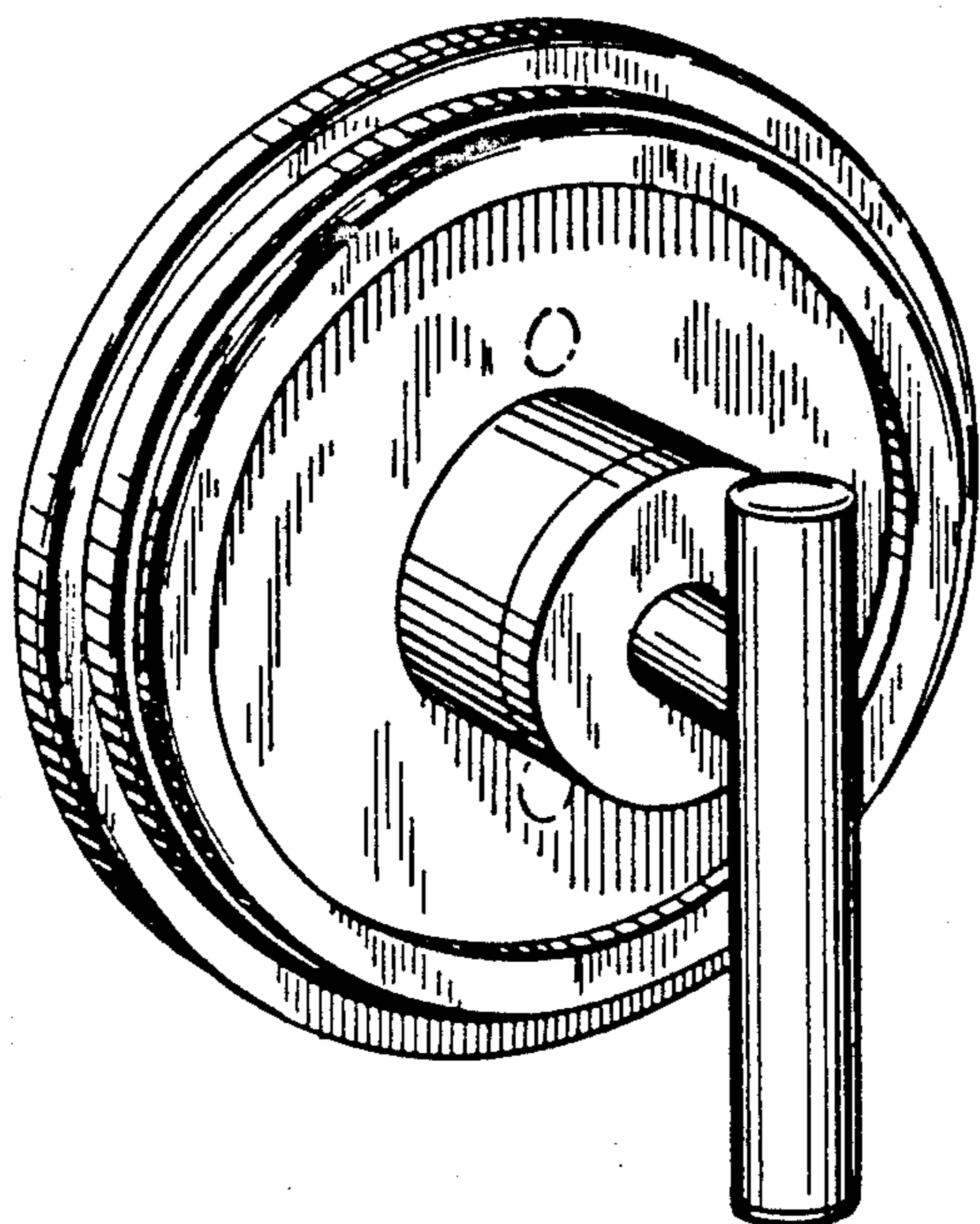


FIG. 1

FIG. 2

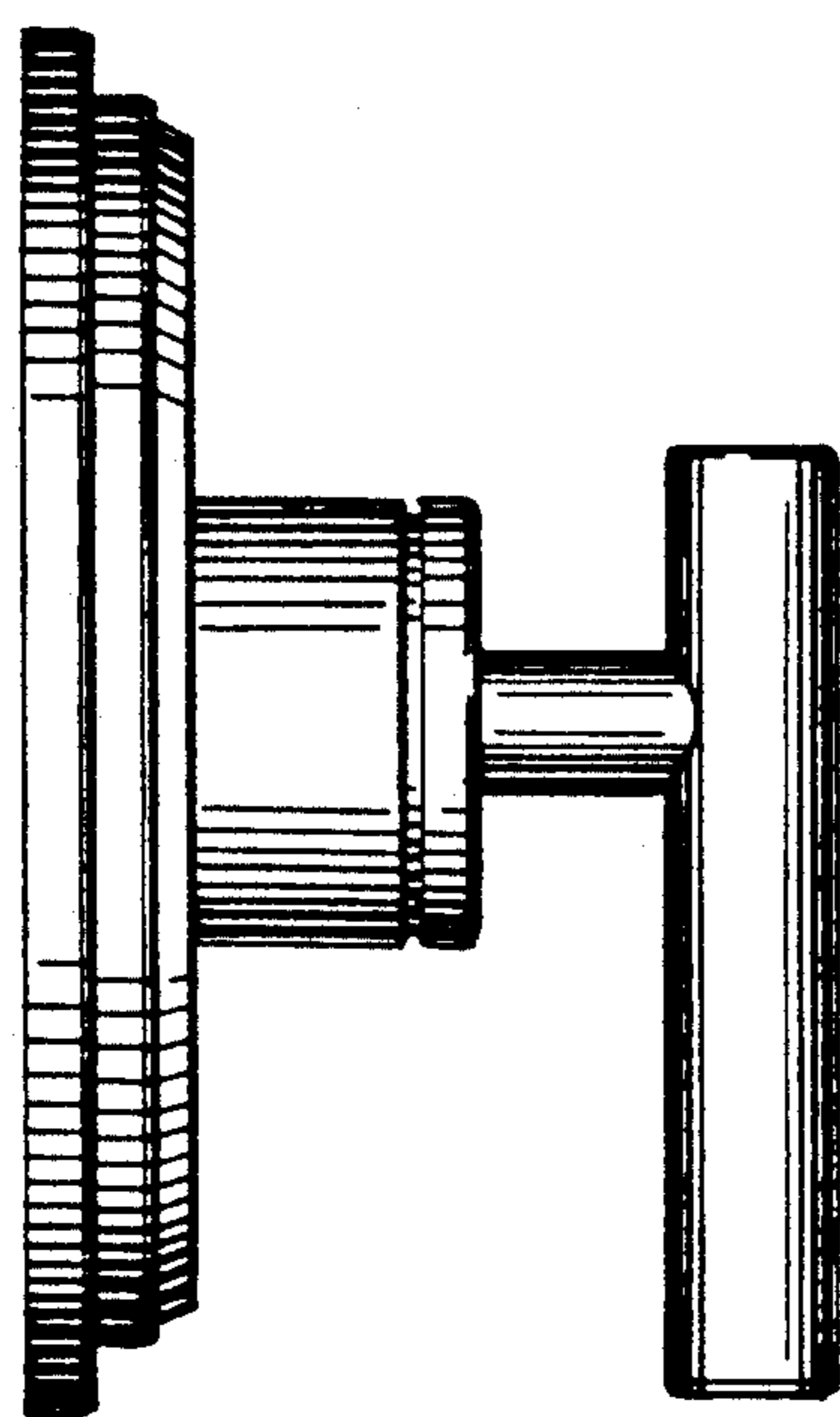
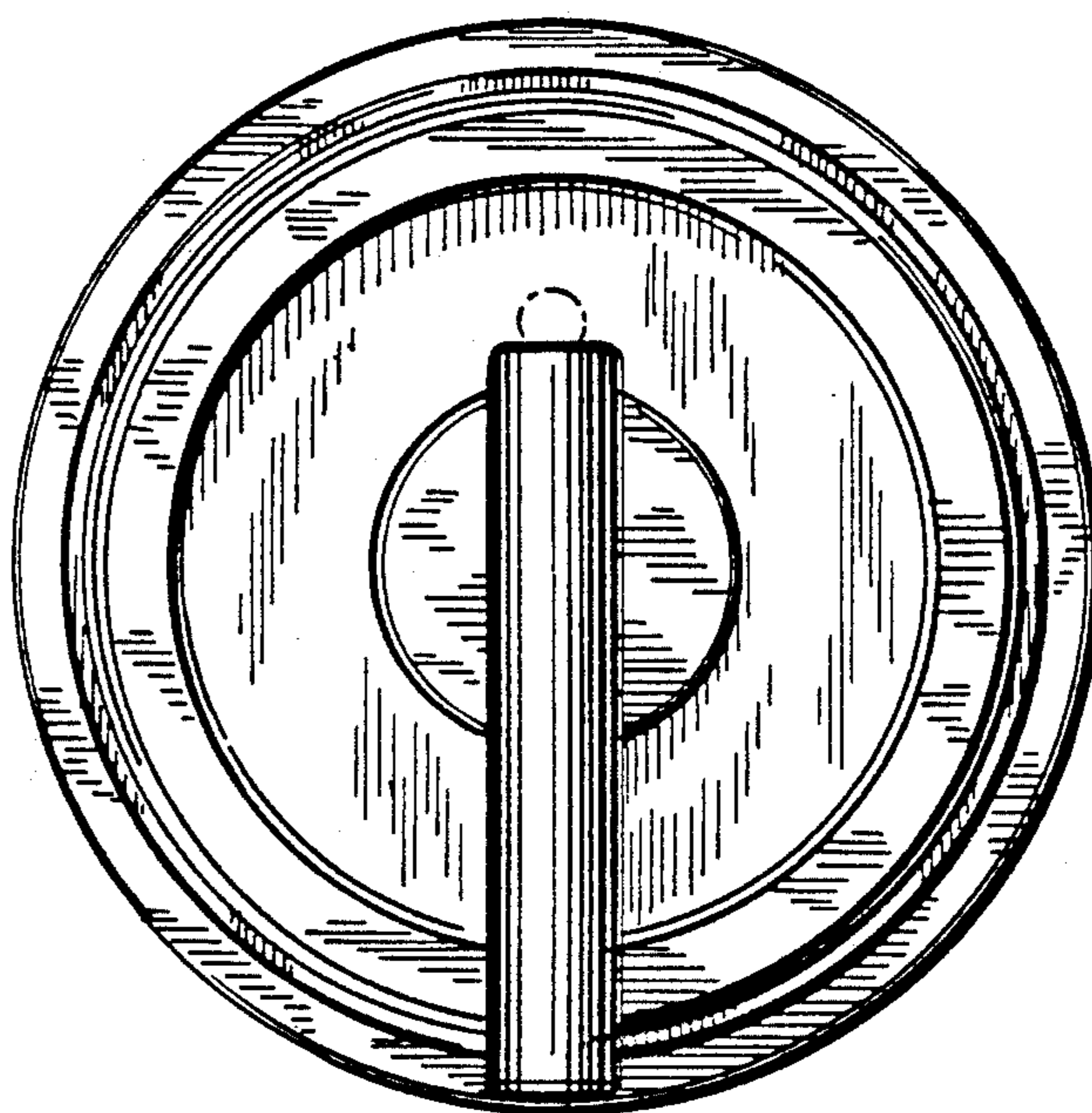


FIG. 3

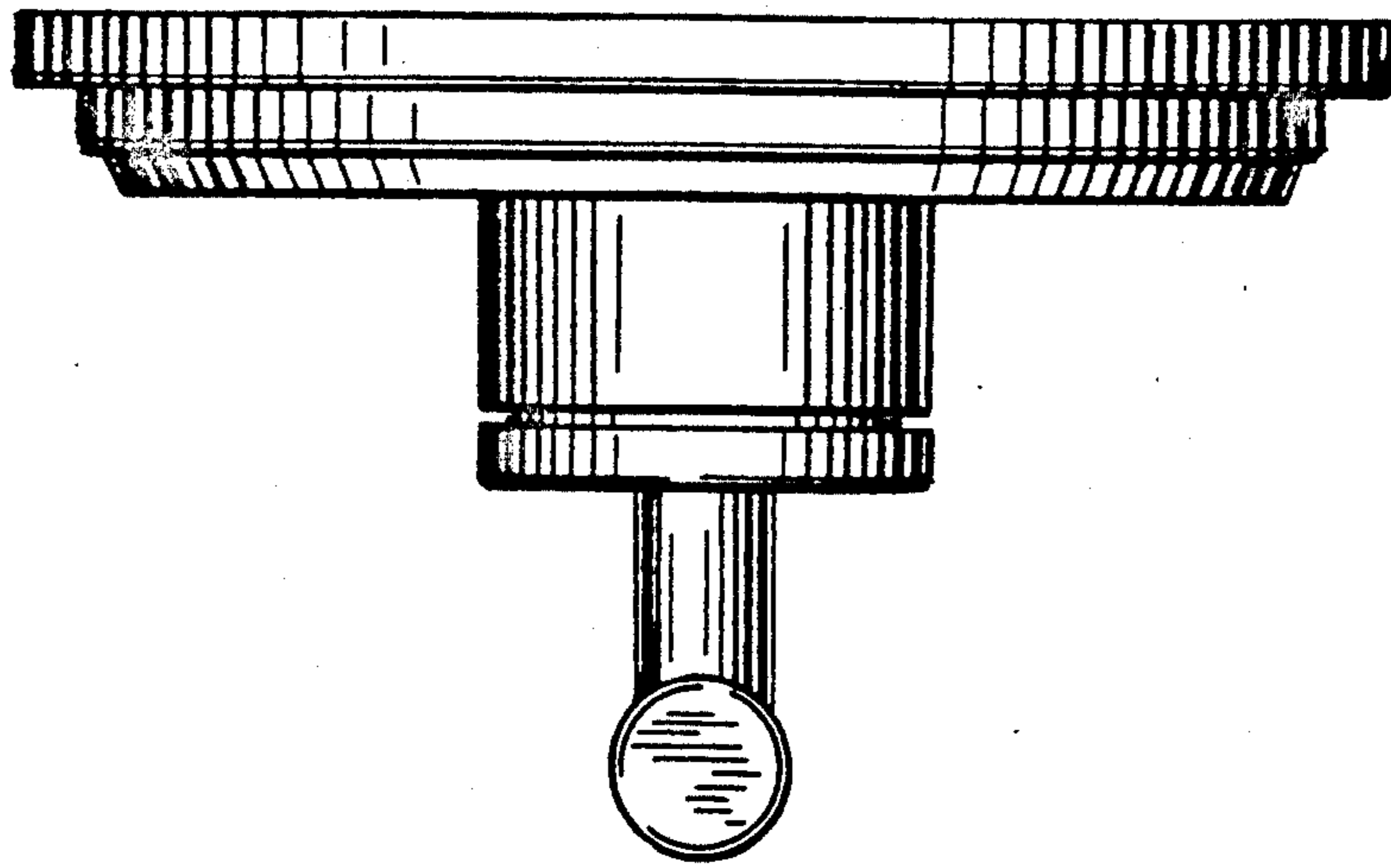


FIG. 4

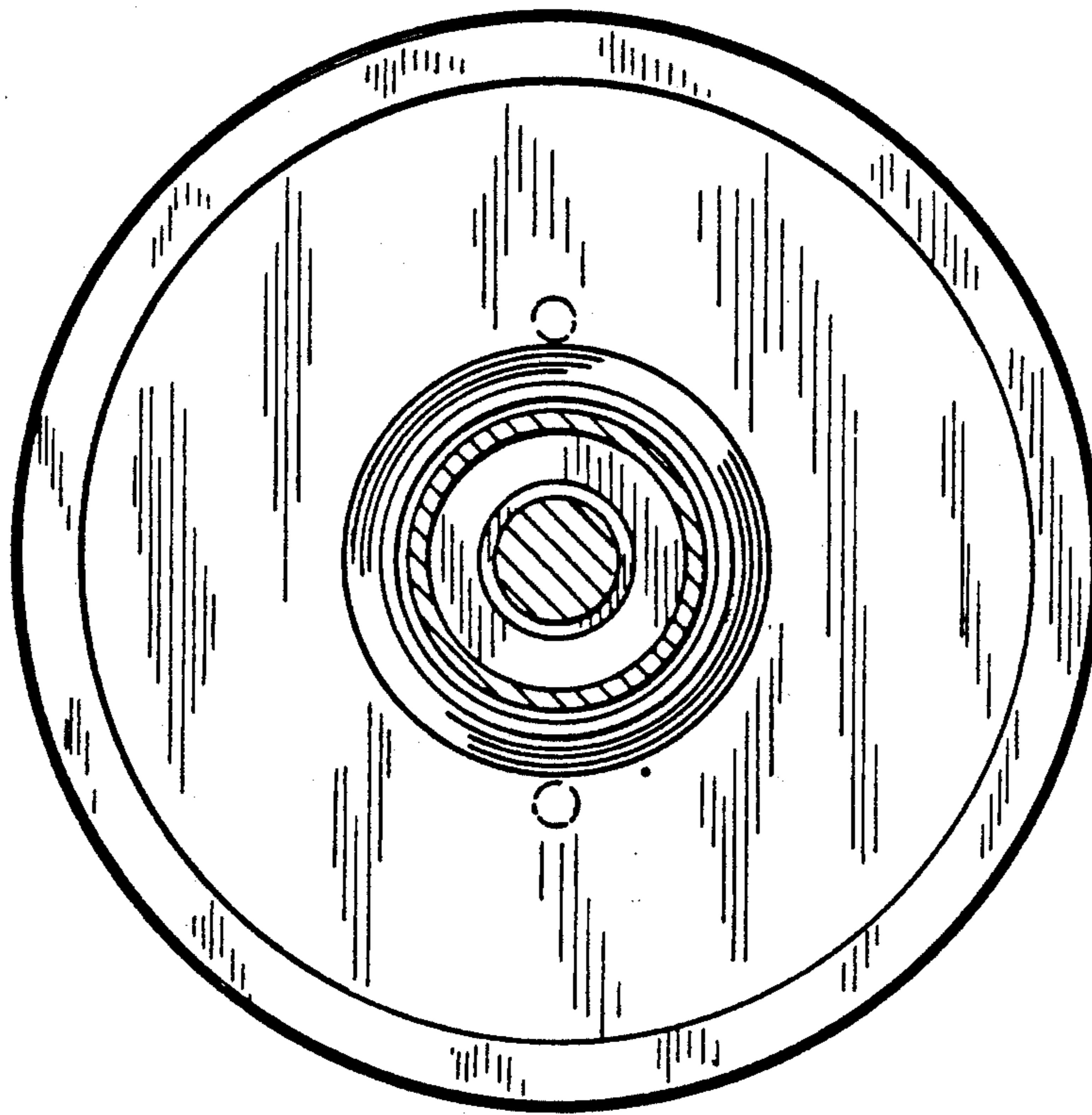


FIG. 5