

[54] FAUCET

[75] Inventor: Kevin W. Rosenbaum, Parma, Ohio

[73] Assignee: Moen Incorporated, Windsor, Conn.

[**] Term: 14 Years

[21] Appl. No.: 142,222

[22] Filed: Jan. 11, 1988

[52] U.S. Cl. D23/238; D23/255

[58] Field of Search D23/238-243, D23/255-257; 4/191, 192; 137/801

[56] References Cited

U.S. PATENT DOCUMENTS

D. 143,175	12/1945	Wagner	D23/238
D. 224,402	7/1972	Jenner	D23/241
D. 224,404	7/1972	Jenner	D23/241
D. 233,235	10/1974	Arbon	D23/238
D. 268,949	5/1983	Delepine	D23/255
D. 288,117	2/1987	Paul	D23/255
D. 289,076	3/1987	Paul	D23/238
D. 290,162	6/1987	Paul	D23/241
D. 290,643	6/1987	Paul	D23/255

D. 290,644	6/1987	Paul	D23/255
D. 292,430	10/1987	Enthoven	D23/241

Primary Examiner—James R. Largen
Attorney, Agent, or Firm—Kinzer, Plyer, Dorn,
McEachran & Jambor

[57] CLAIM

The ornamental design for a faucet, as shown and described.

DESCRIPTION

FIG. 1 is a front elevational view of a faucet showing my new design;
 FIG. 2 is a top plan view thereof;
 FIG. 3 is a left side elevational view thereof, with a portion shown in cross section;
 FIG. 4 is a rear elevational view thereof;
 FIG. 5 is a bottom plan view thereof;
 FIG. 6 is a front elevational view showing the faucet in an open position;
 FIG. 7 is a top plan view of FIG. 6;
 FIG. 8 is a left side elevational view of FIG. 6;
 FIG. 9 is a rear elevational view of FIG. 6; and
 FIG. 10 is a bottom plan view of FIG. 6.

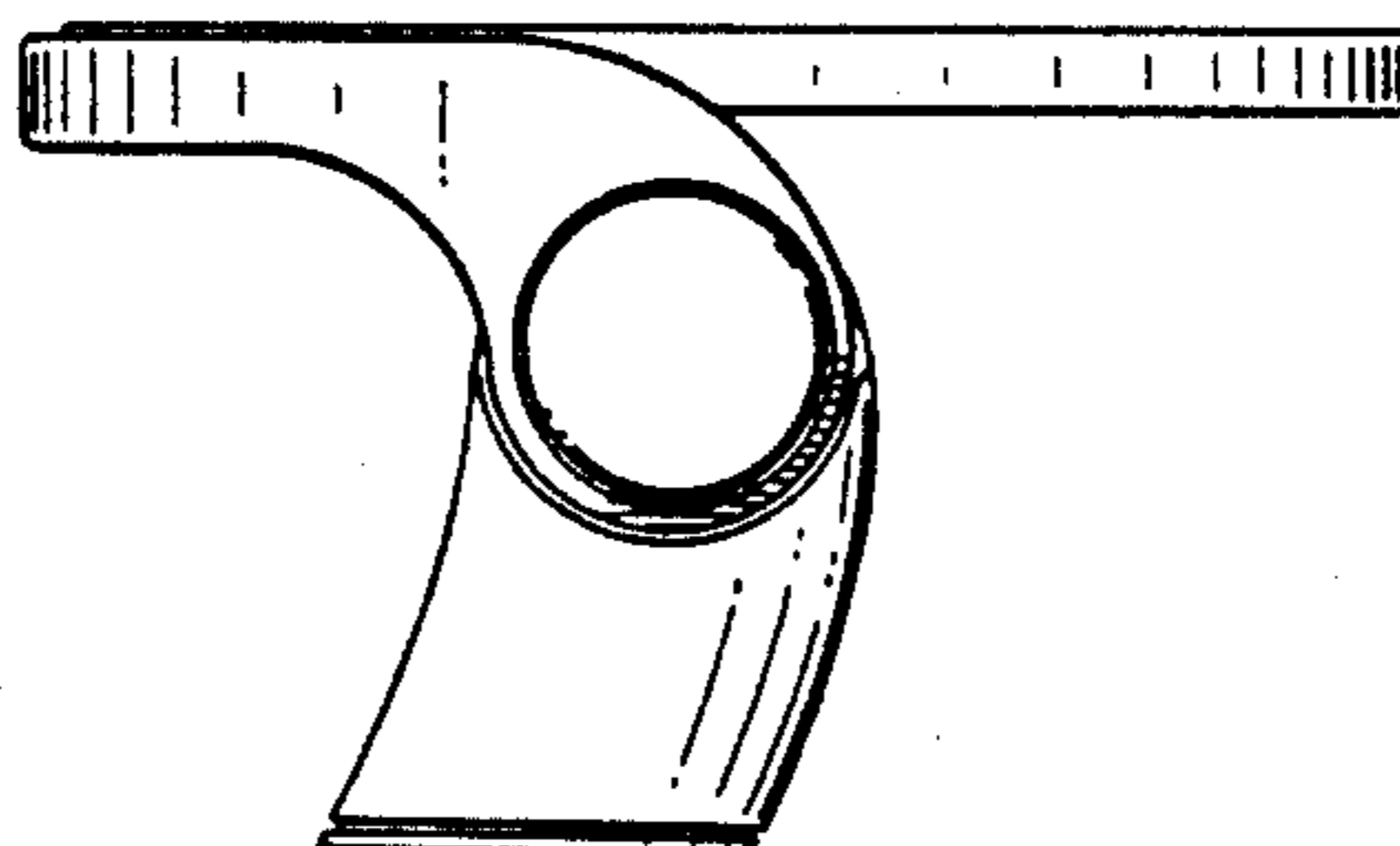
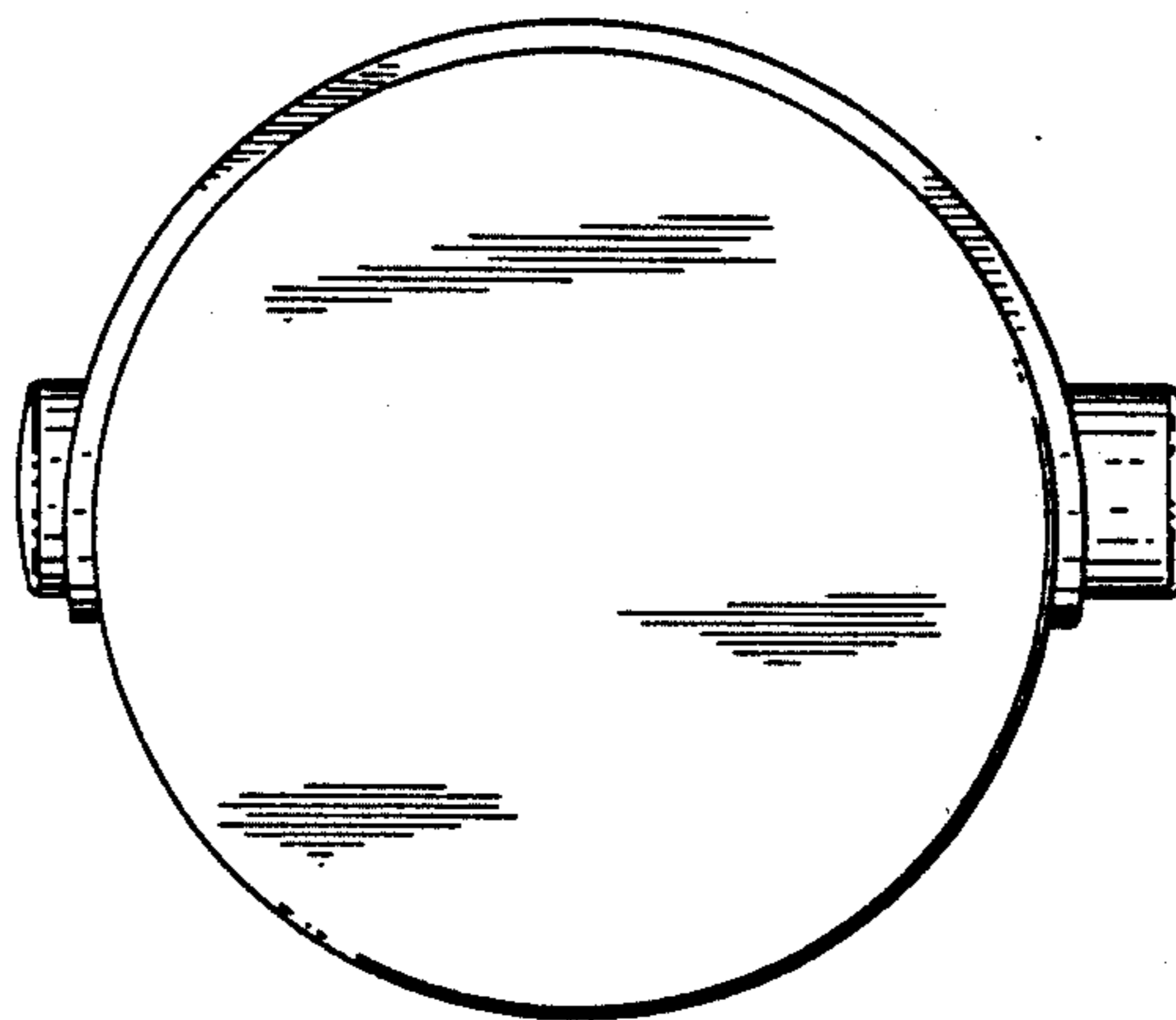
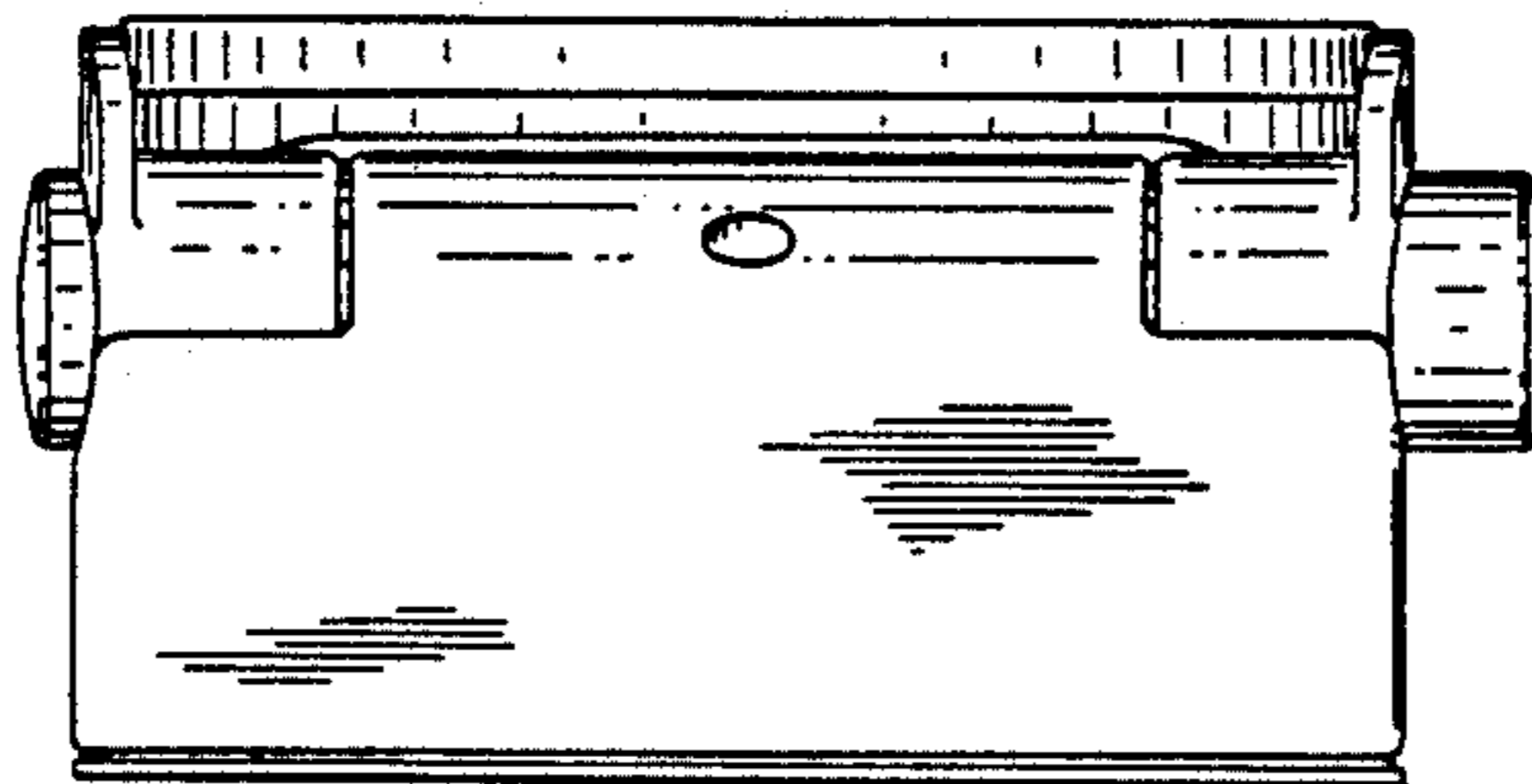


FIG. 1.

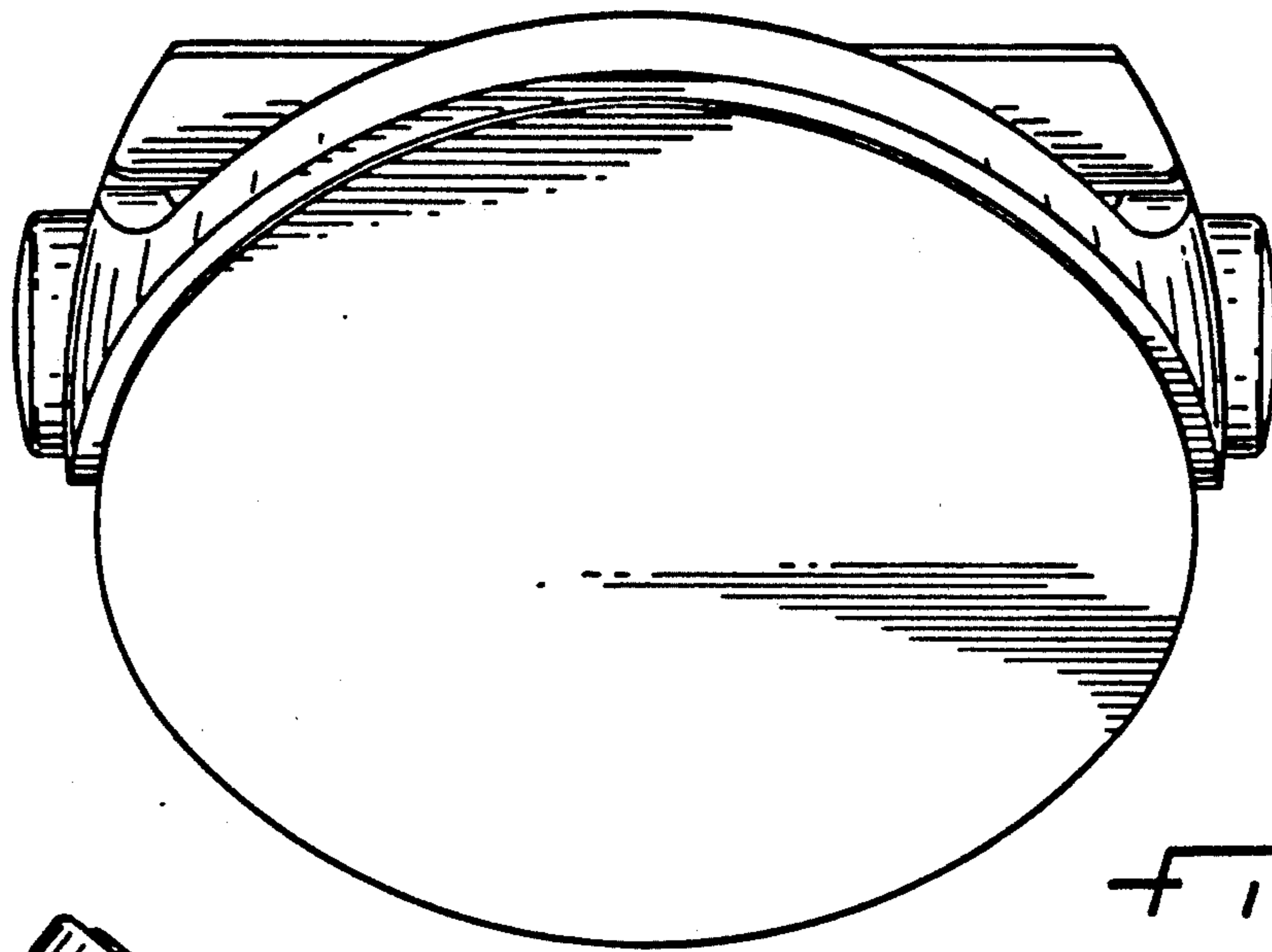
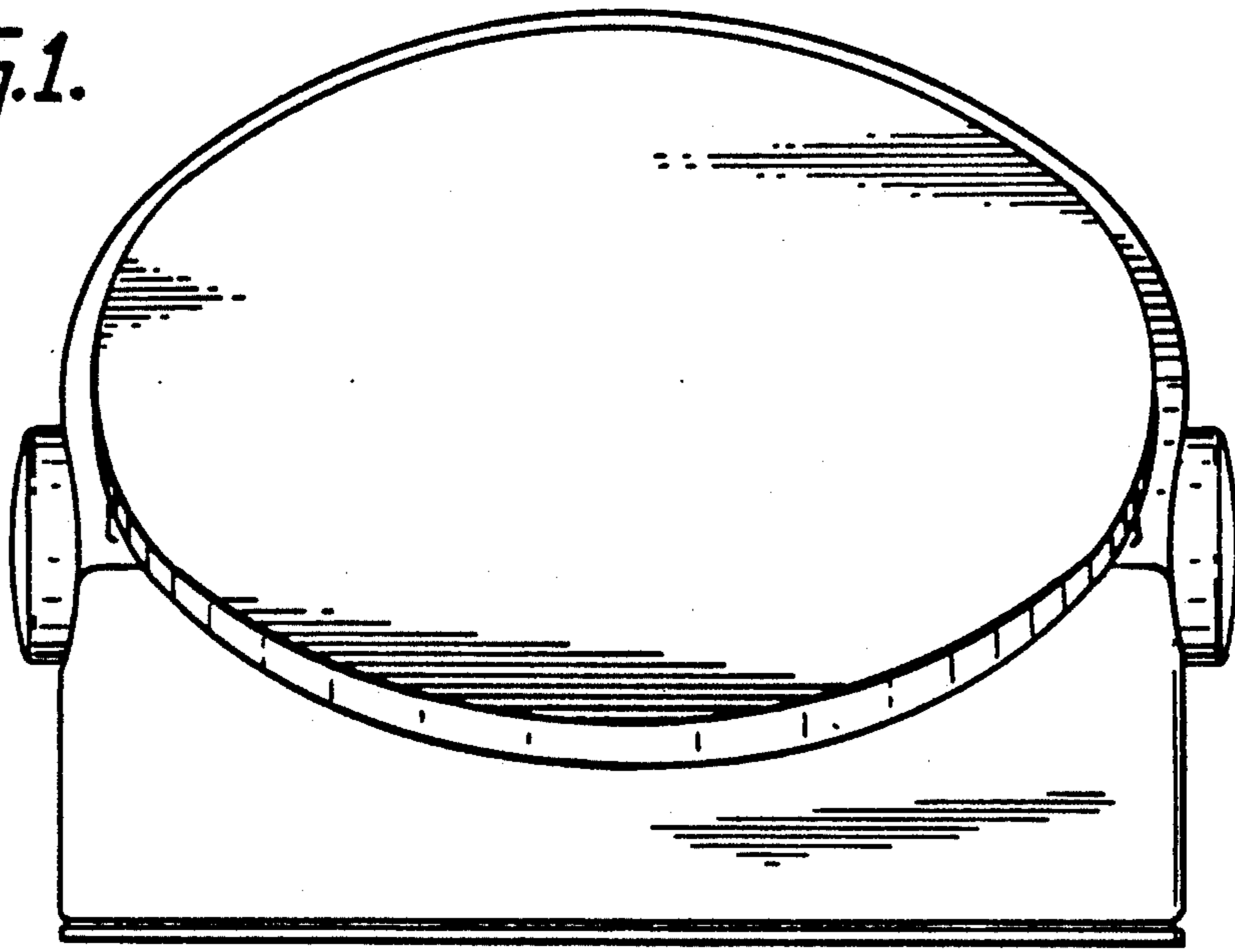
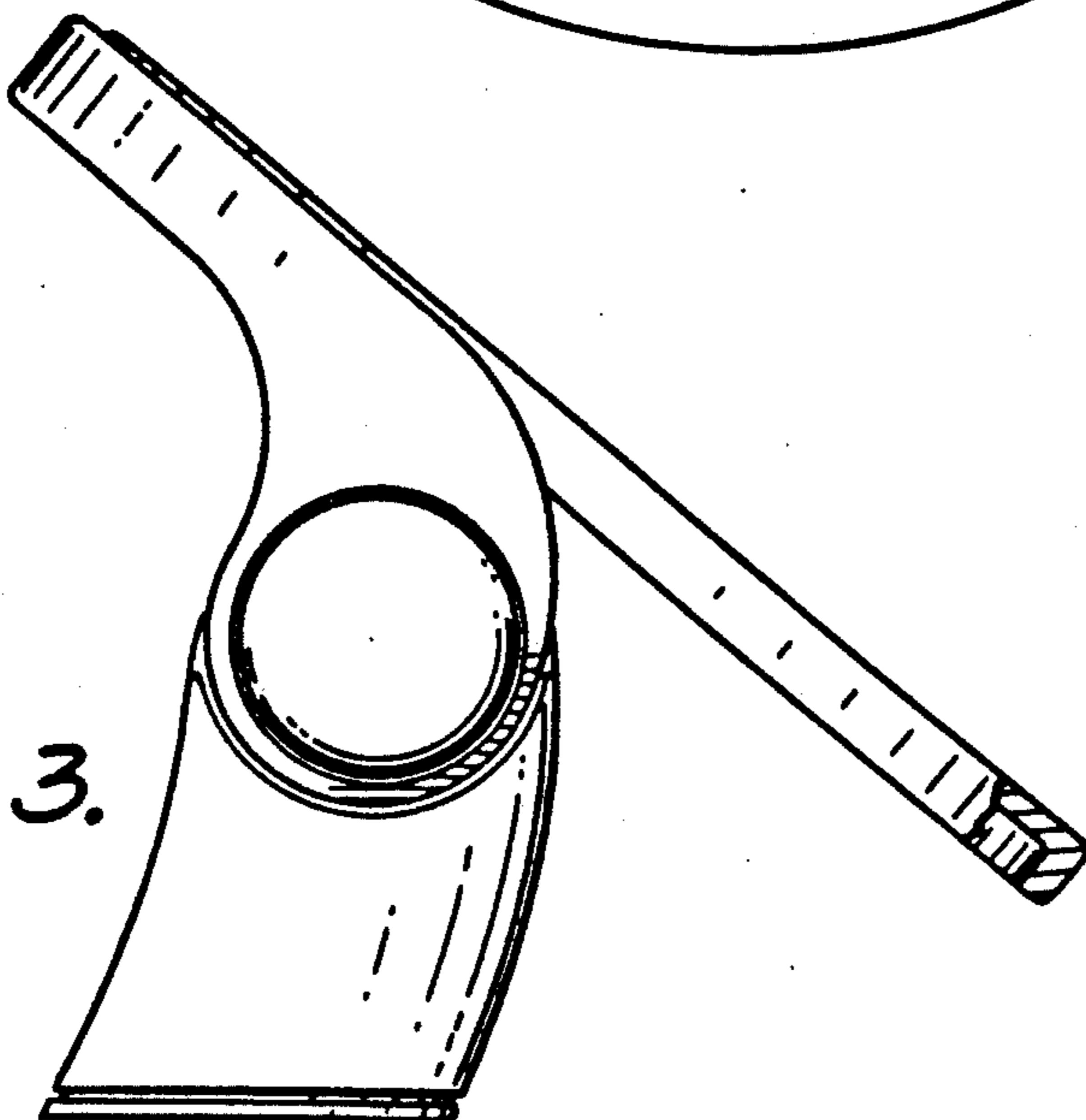


FIG. 2.

FIG. 3.



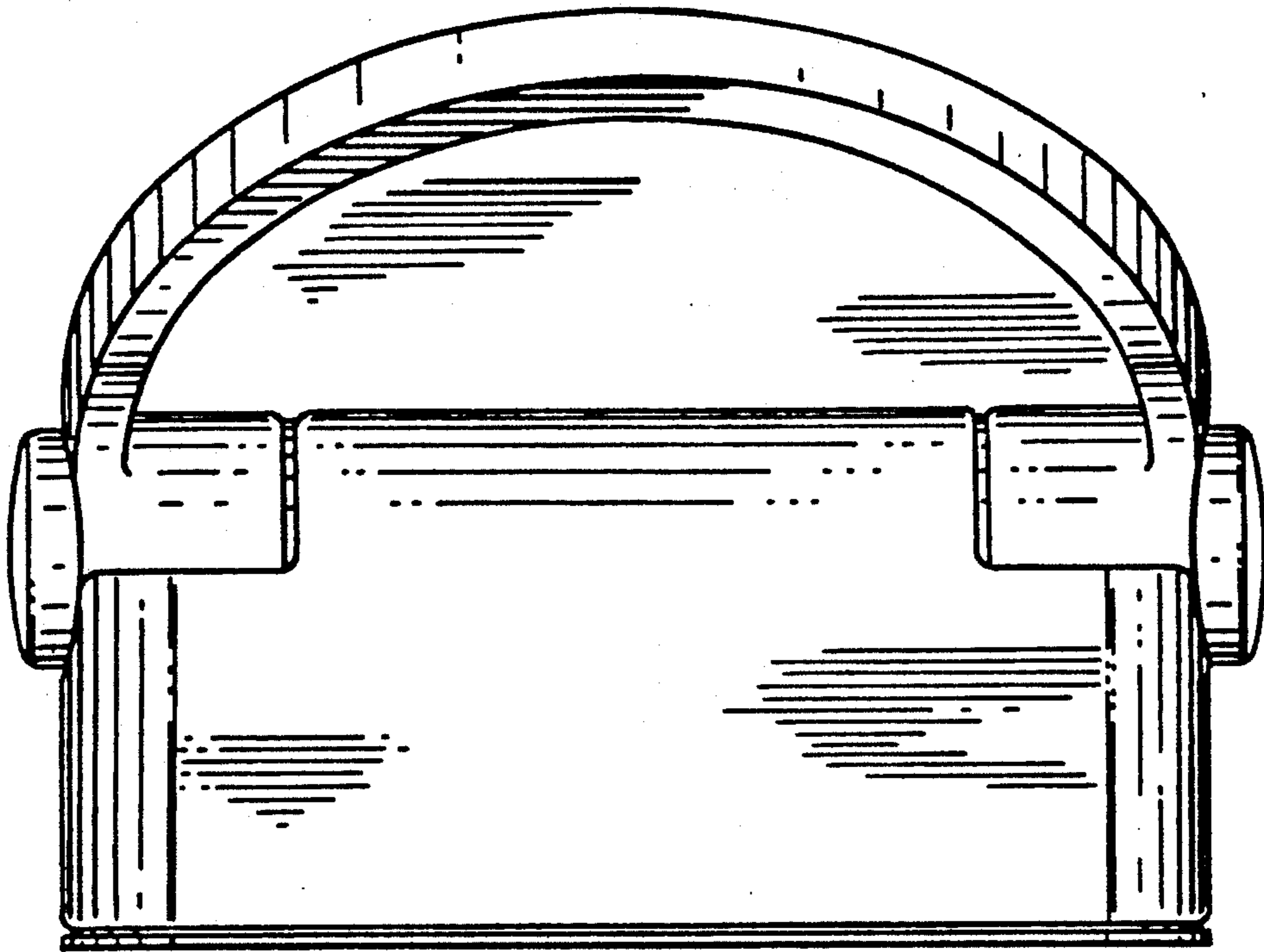


FIG. 4.

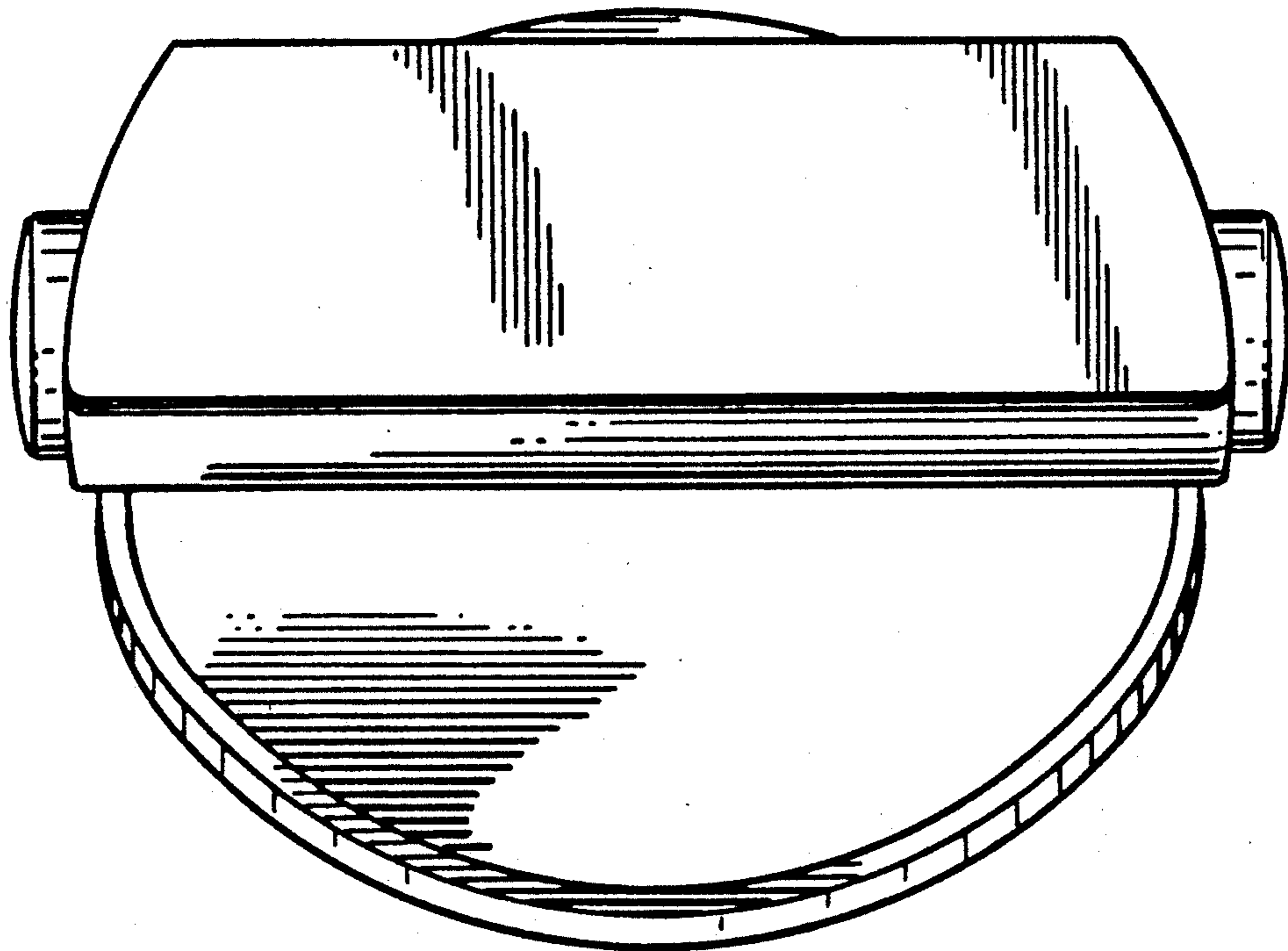


FIG. 5.

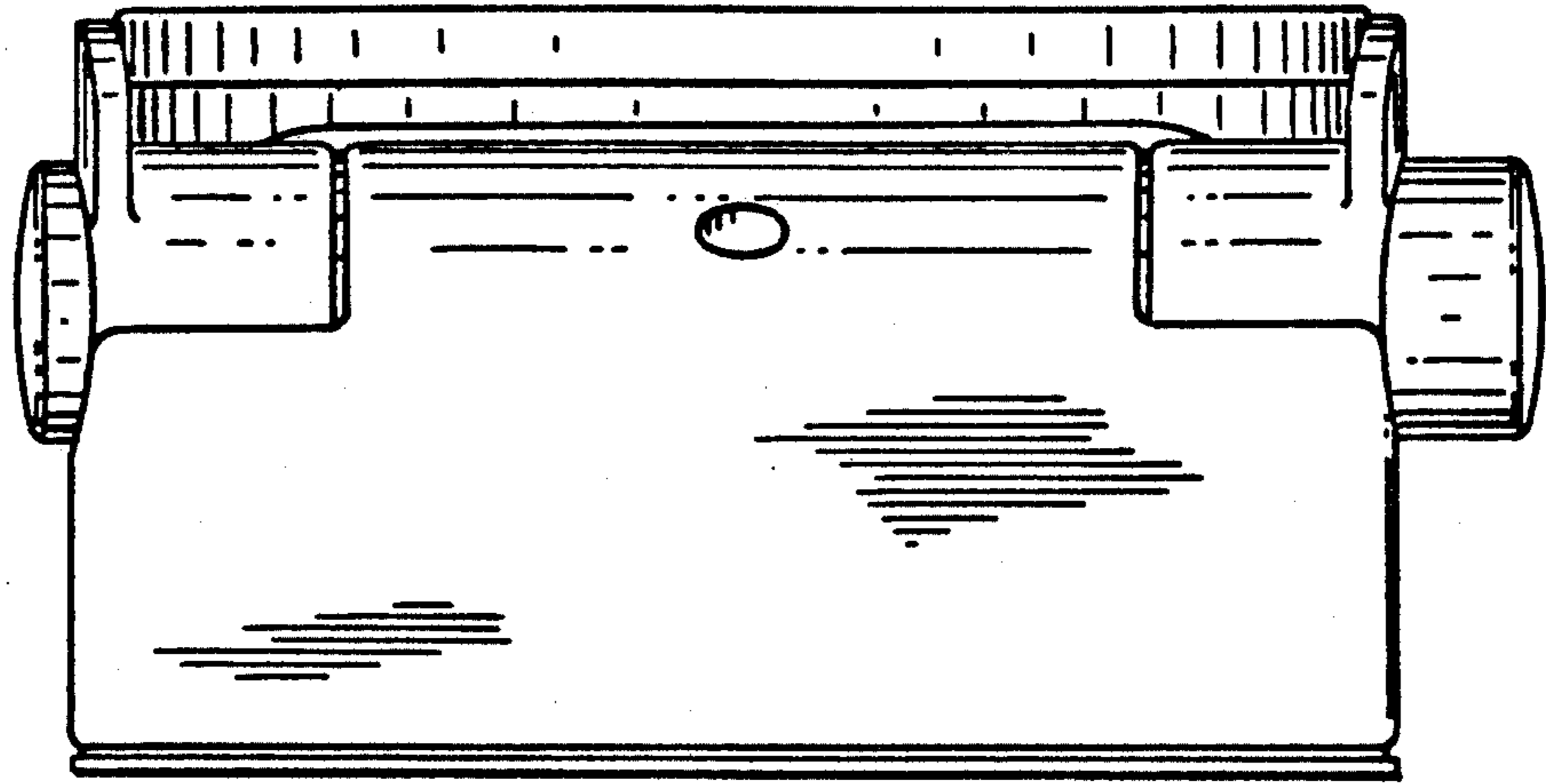


FIG. 6.

FIG. 7.

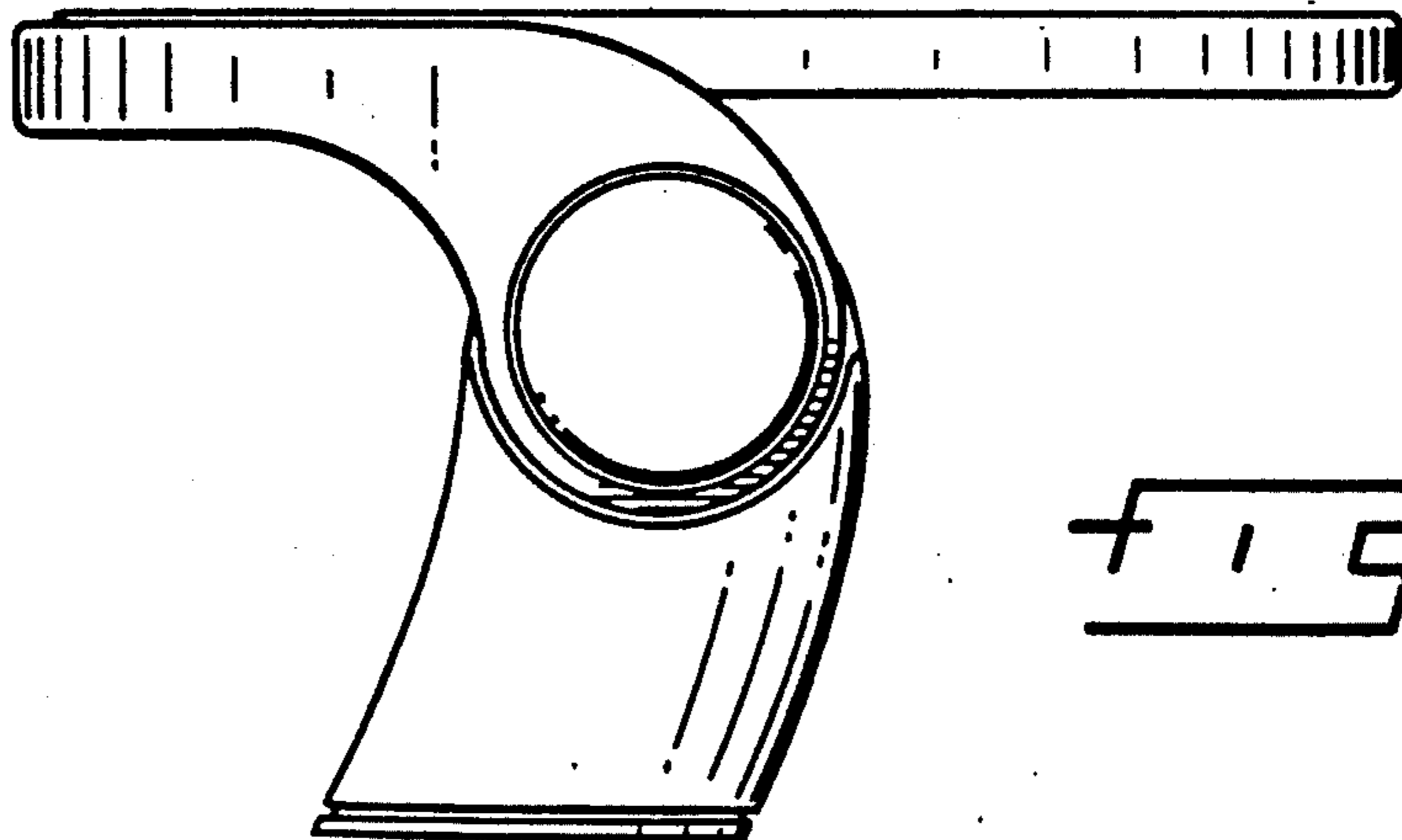
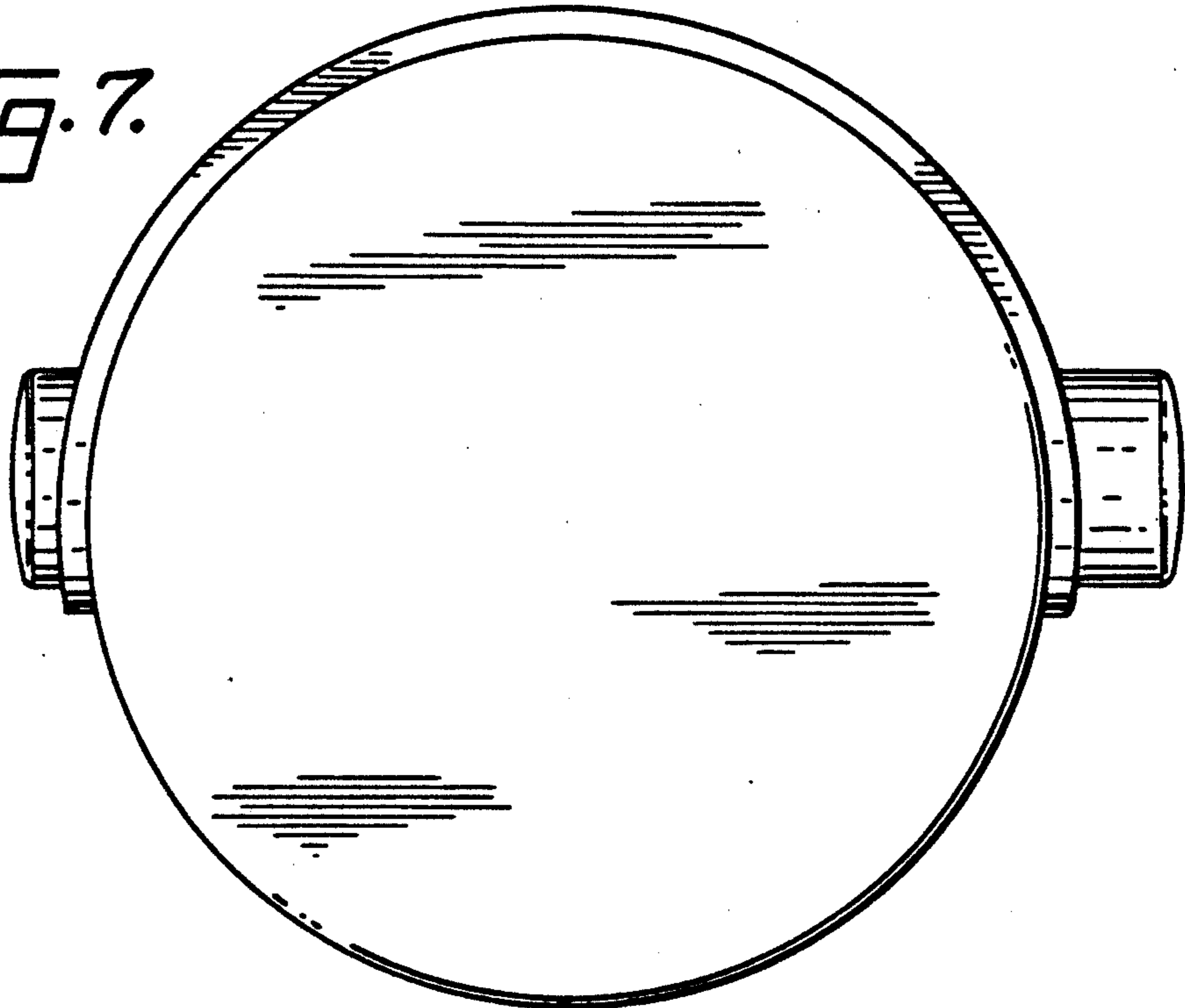


FIG. 8.

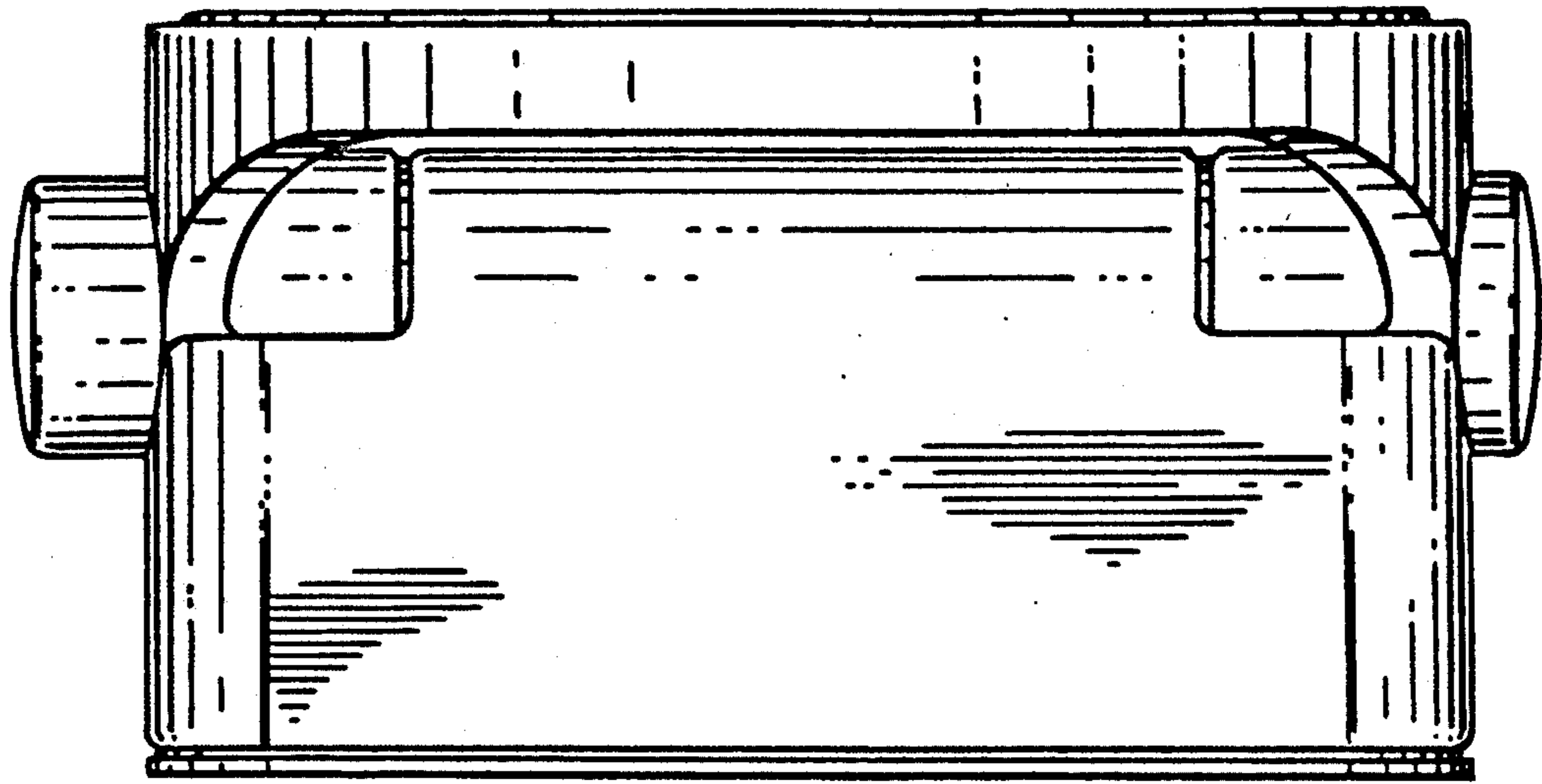


FIG. 9.

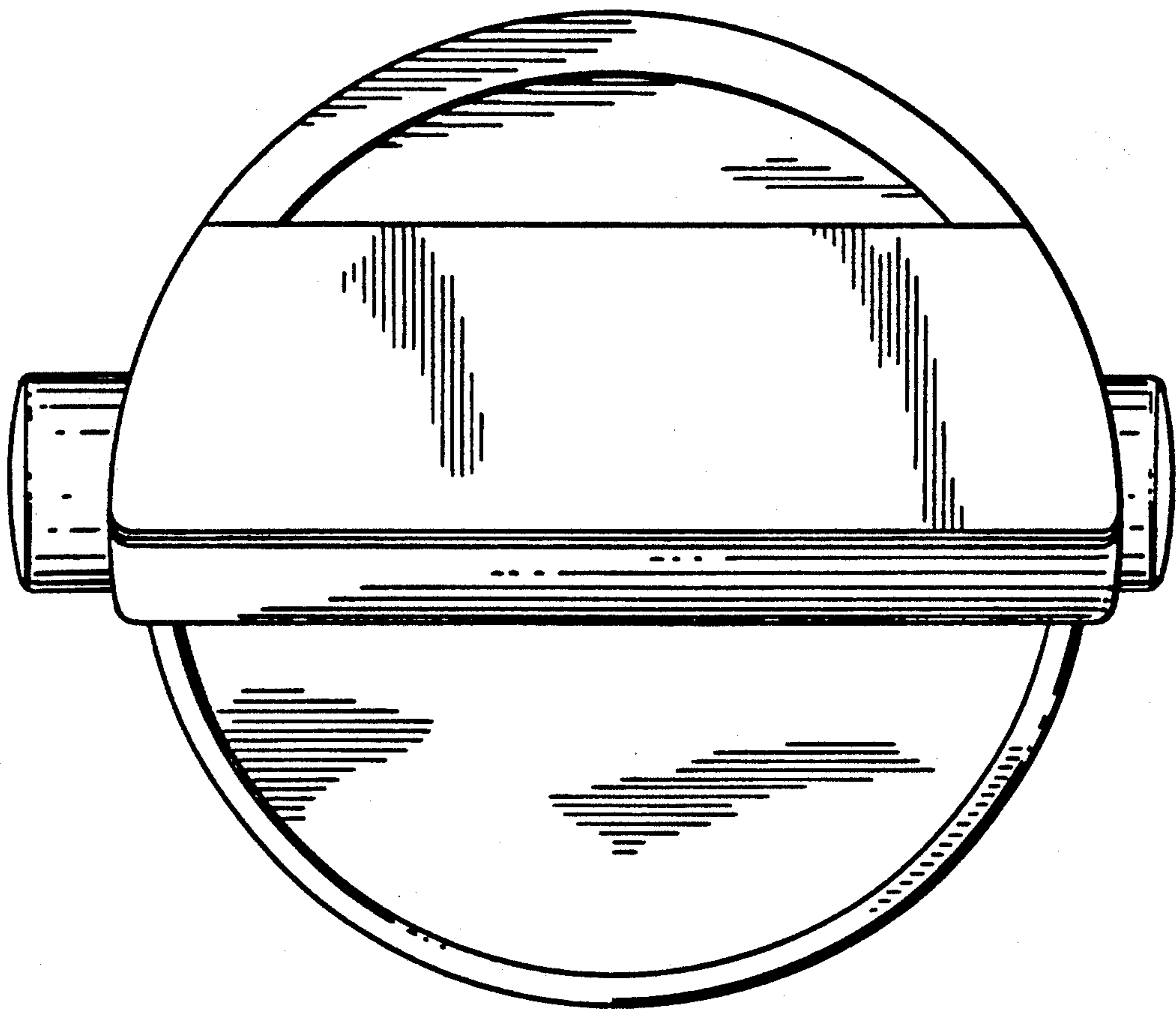


FIG. 10.