

United States Patent [19]

Gunzel, Jr. et al.

[11] Patent Number: Des. 319,292

[45] Date of Patent: ** Aug. 20, 1991

[54] **SPRAYER HEAD**

[75] Inventors: Rudolph M. Gunzel, Jr., Palm Springs; Ronald F. Enghard, Mission Viejo; Donald J. Shanklin, Fullerton, all of Calif.

[73] Assignee: Hayes Products, Santa Fe Springs, Calif.

[**] Term: 14 Years

[21] Appl. No.: 400,756

[22] Filed: Aug. 30, 1989

[52] U.S. Cl. D23/213

[58] Field of Search D23/200, 213, 223-229; 239/414-415, 301, 332, 373, 394, 525-526, 532, 588-589, 598, 283

[56] **References Cited**

U.S. PATENT DOCUMENTS

D. 288,954 3/1987 McDermott et al. D23/213

D. 298,848 12/1988 Chow et al. D23/213
D. 299,949 2/1989 Maas D23/213
D. 300,170 3/1989 Chow et al. D23/213

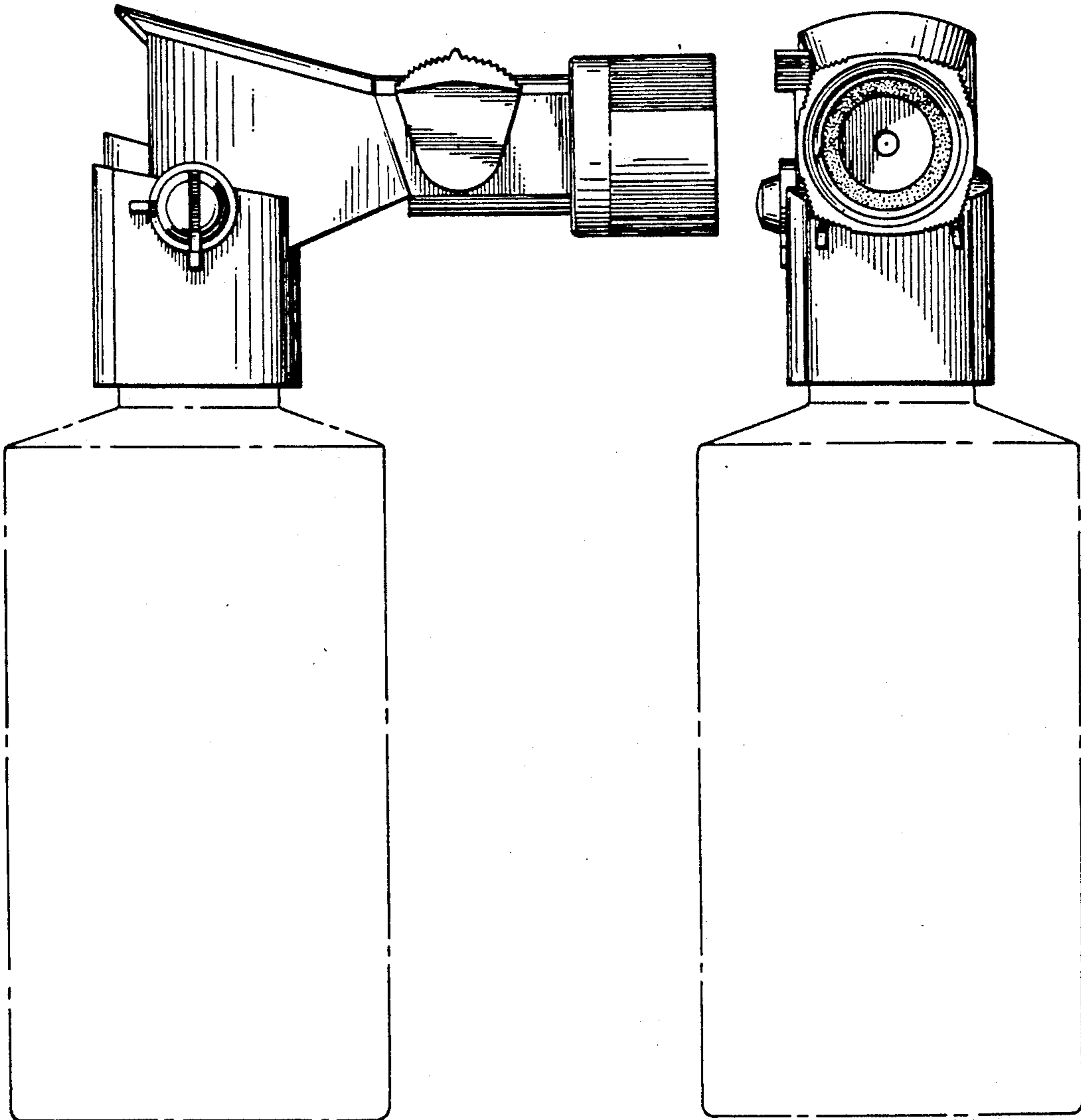
Primary Examiner—Susan J. Lucas
Assistant Examiner—M. H. Tung
Attorney, Agent, or Firm—Harold L. Jackson

[57] **CLAIM**

The ornamental design for a sprayer head, as shown and described.

DESCRIPTION

FIG. 1 is a front elevational view of a sprayer head showing our new design;
FIG. 2 is a right side elevational view thereof;
FIG. 3 is a left side elevational view thereof;
FIG. 4 is a rear elevational view thereof;
FIG. 5 is a top plan view thereof;
FIG. 6 is a bottom plan view thereof.
The broken line drawing of a container is for illustrative purposes only and forms no part of the claimed design.



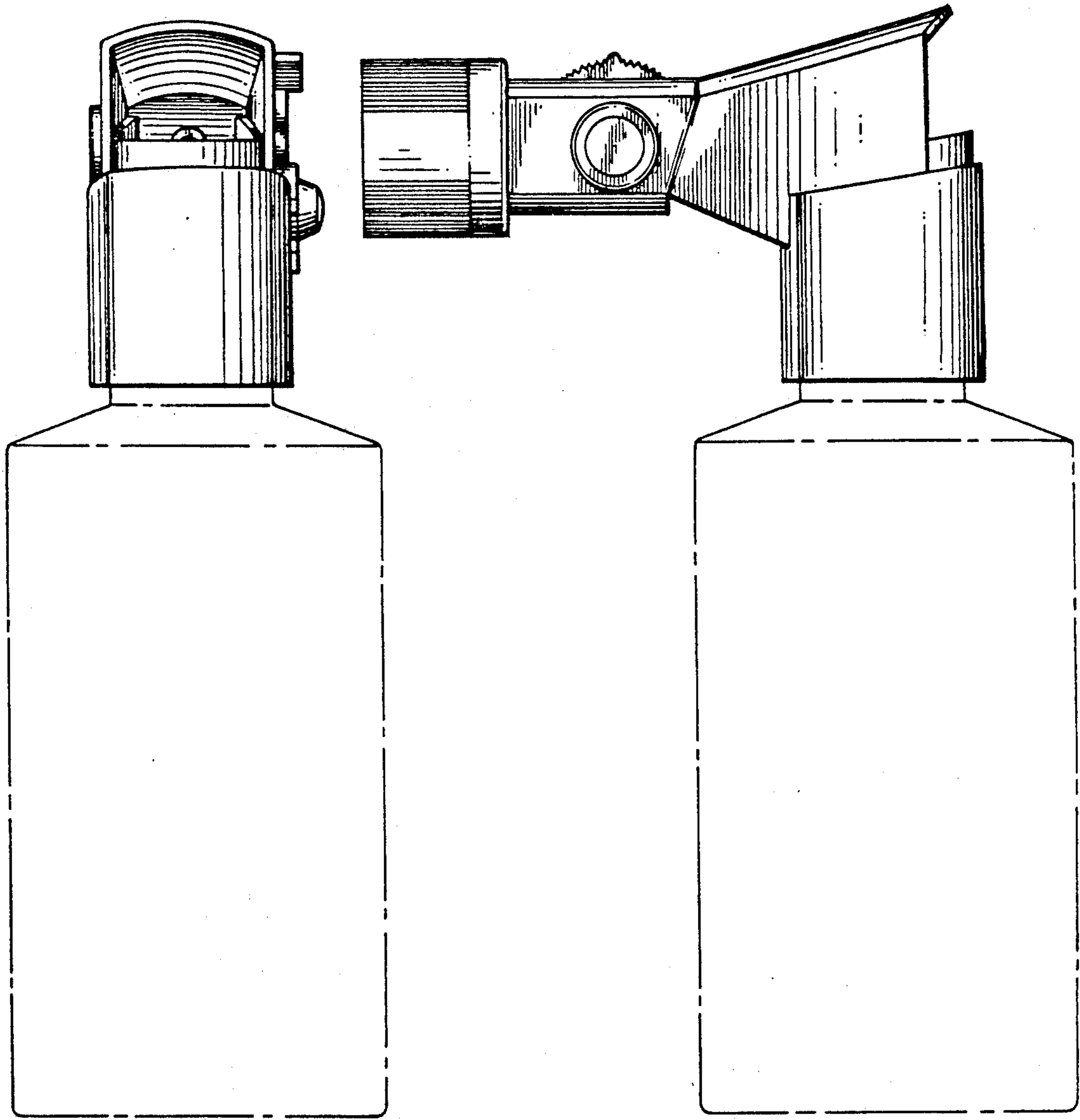


FIG. 1

FIG. 2

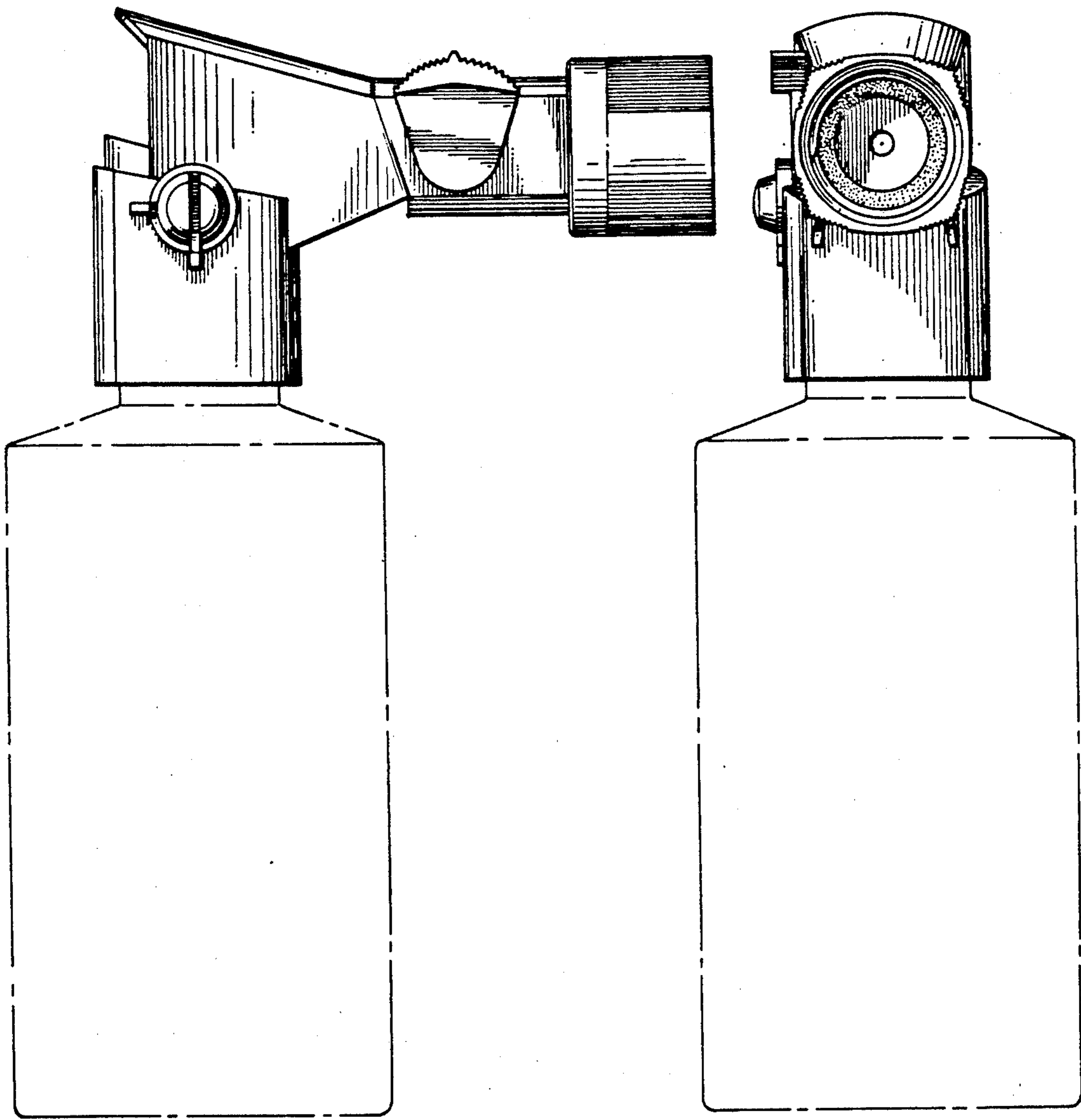


FIG. 3

FIG. 4

FIG. 5

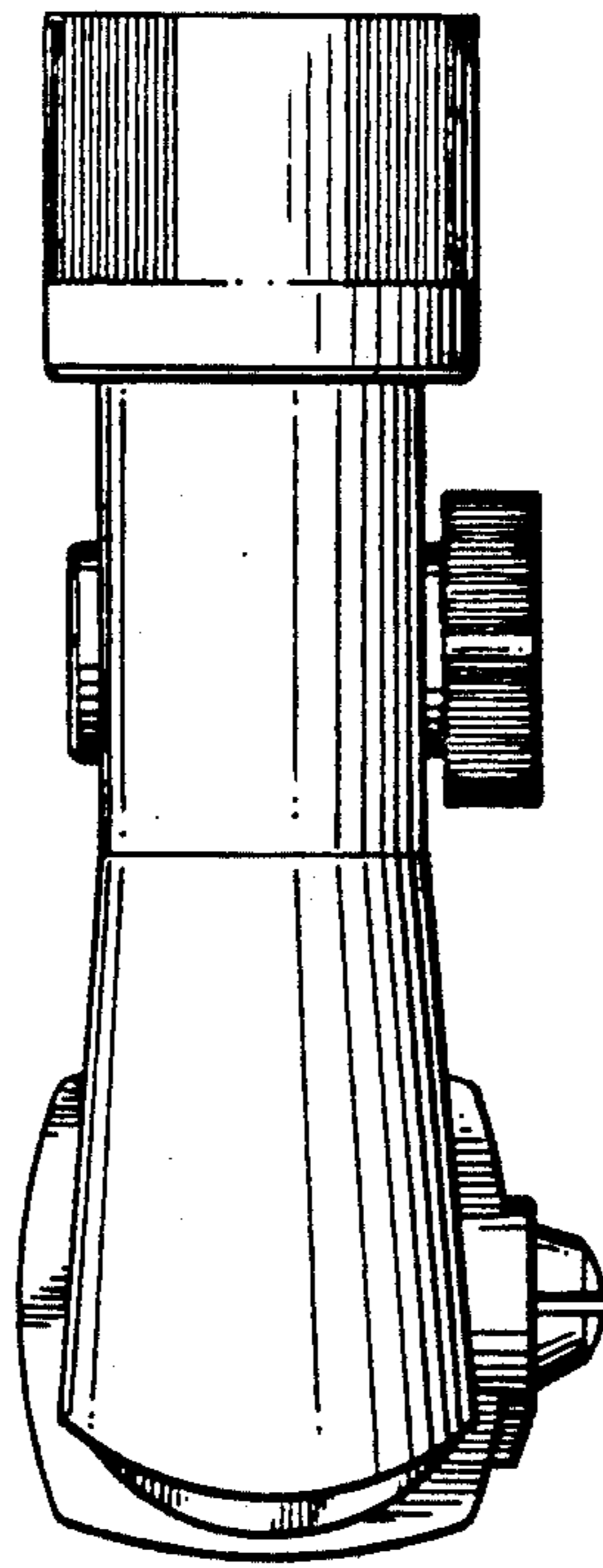


FIG. 6

