

[54] MAGNETIC WATER TREATMENT DEVICE

[76] Inventors: Robert P. Baumstark, 8525 N. 17th Dr., Phoenix, Ariz. 85021; Thomas M. Baumstark, 4321 N. 9th Ave., Phoenix, Ariz. 85013

[**] Term: 14 Years

[21] Appl. No.: 184,710

[22] Filed: Apr. 22, 1988

[52] U.S. Cl. D23/207

[58] Field of Search D23/200.207-210, D23/259, 262-263, 266; 210/85, 87-89, 117, 244, 190-191, 281-282, 287, 288, 416.1, 418, 416.4-416.5, 446-448, 222, 223

[56] References Cited

U.S. PATENT DOCUMENTS

- D. 253,841 1/1980 Sanderson D23/207
- D. 255,145 5/1980 Nederman D23/262

- D. 270,935 10/1983 Logsdon D23/262
- D. 275,596 9/1984 Gabrielson et al. D23/247
- 3,170,871 2/1965 Moriya 210/222
- 3,951,807 4/1976 Sanderson 210/222
- 4,146,479 3/1979 Brown 210/85 X
- 4,176,065 11/1979 Coor 210/223
- 4,505,815 3/1985 Lindler 210/223

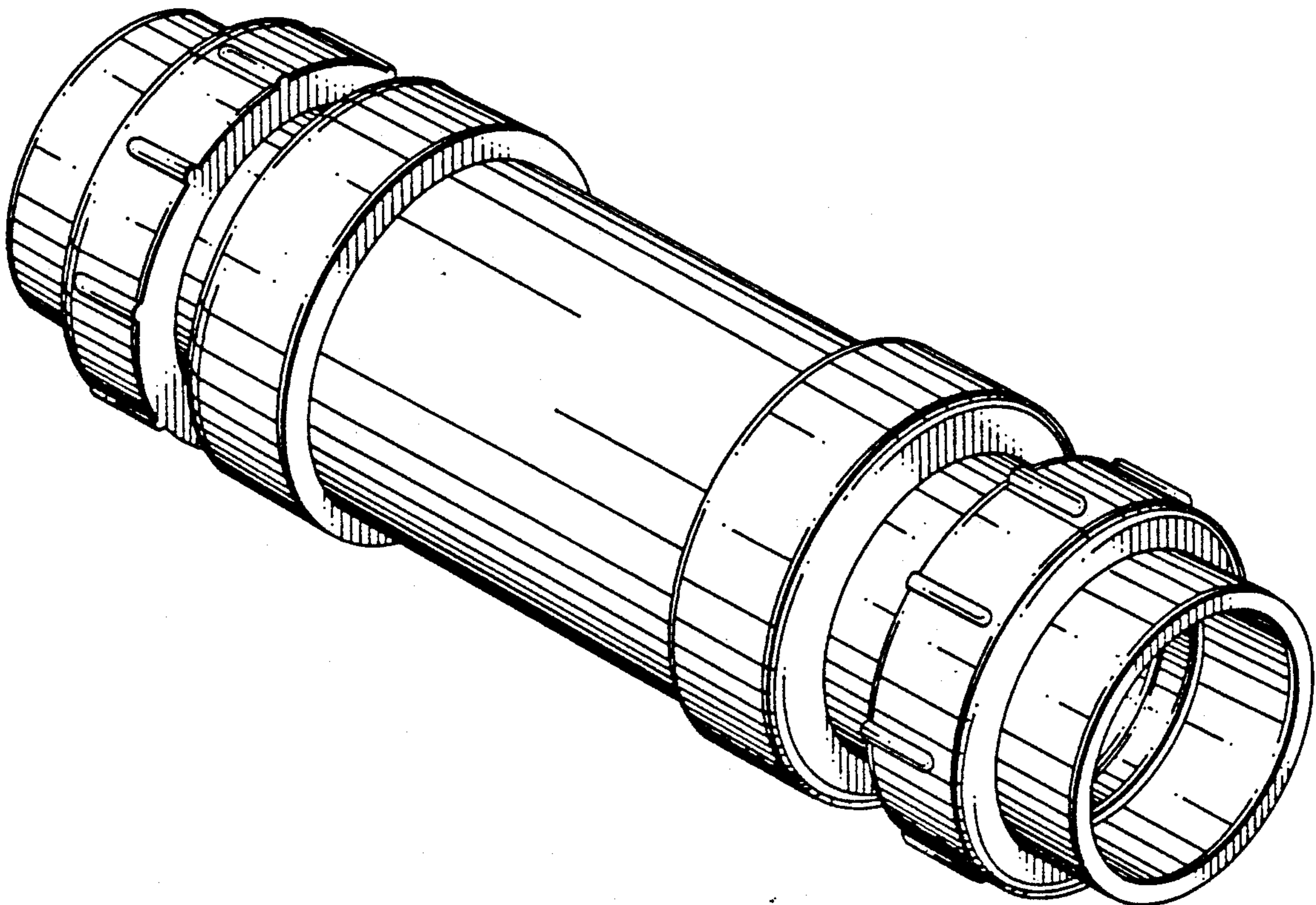
Primary Examiner—Wallace R. Burke
Assistant Examiner—Holly H. Baynham
Attorney, Agent, or Firm—Cahill, Sutton & Thomas

[57] CLAIM

The ornamental design for a magnetic wear treatment device, as shown and described.

DESCRIPTION

FIG. 1 is a perspective view of a magnetic water treatment device showing my new design;
FIG. 2 is an end elevational view thereof with the opposite end being a mirror image;
FIG. 3 is a side elevational view thereof with the opposite side being a mirror image.



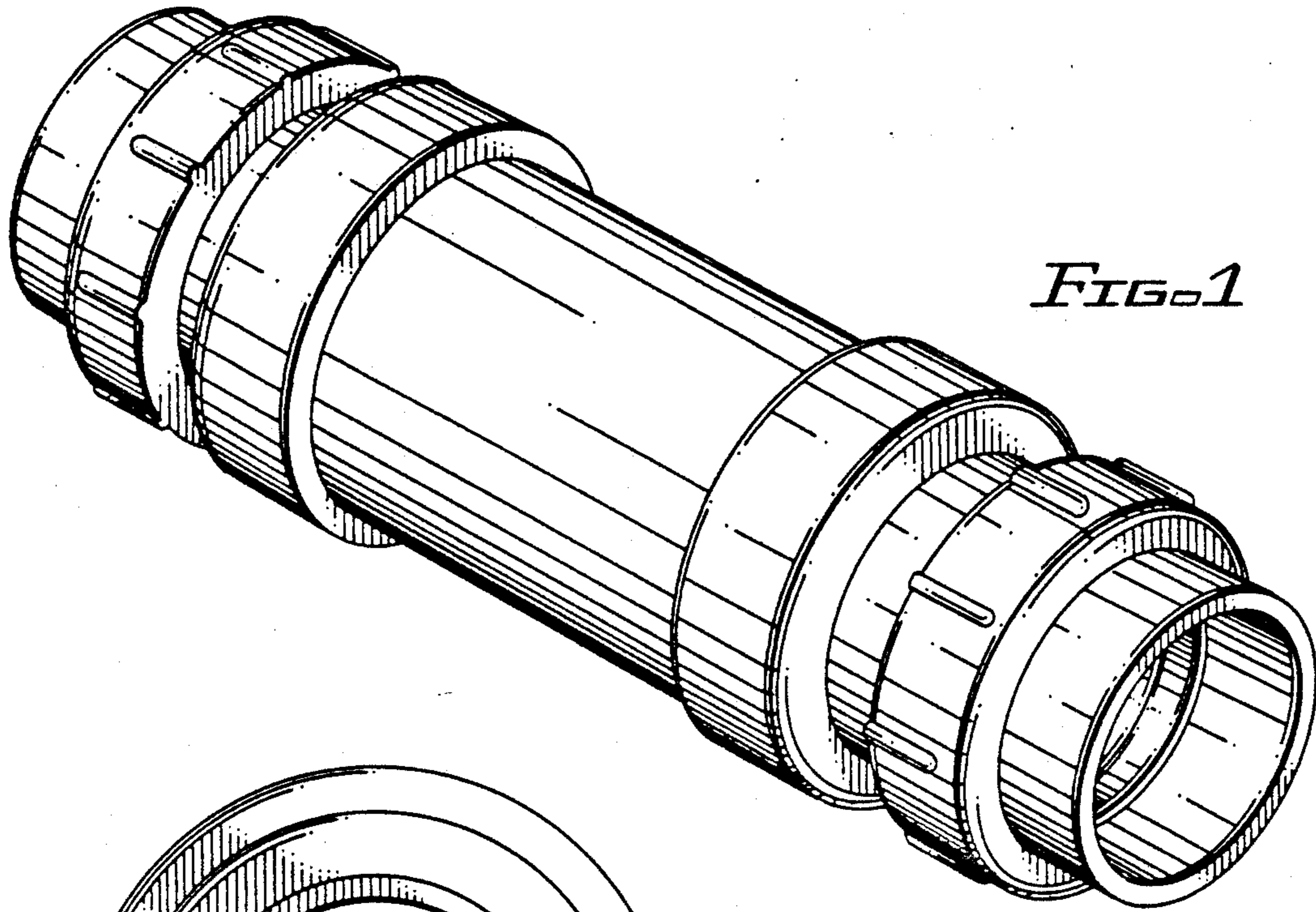


FIG. 1

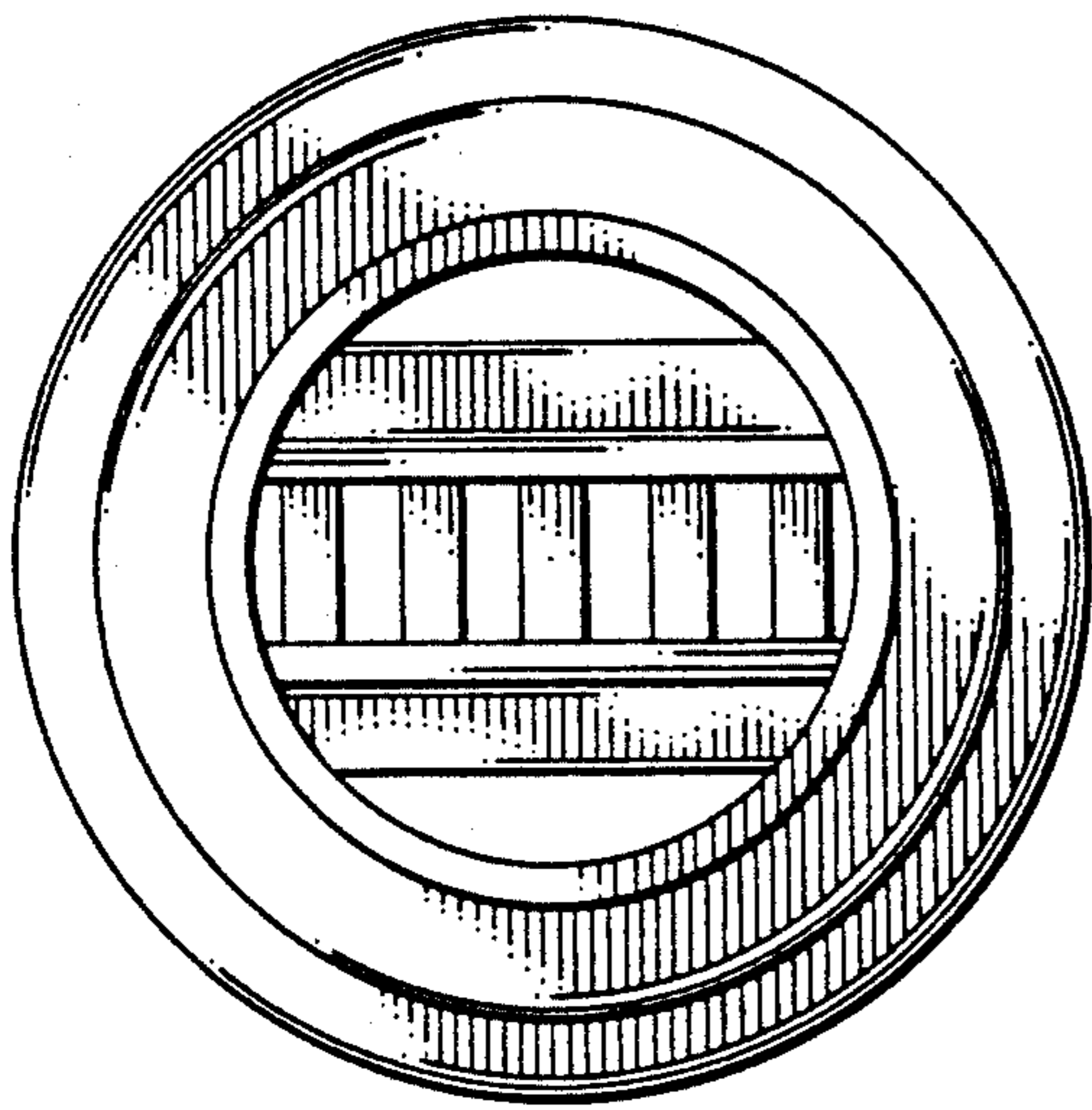


FIG. 2

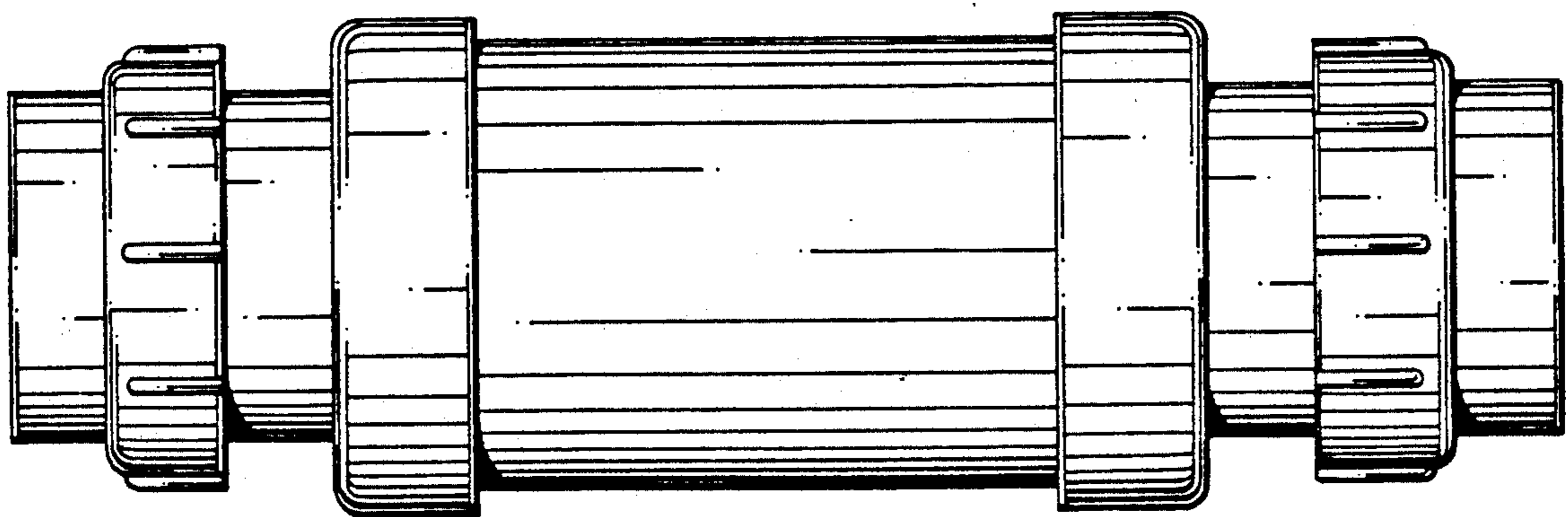


FIG. 3