

[54] CORRUGATED VALVE GUARD

[75] Inventors: David L. Waltke; Duane R. Greenquist, both of Beatrice, Nebr.

[73] Assignee: Hoover Group, Inc., Roswell, Ga.

[\*\*] Term: 14 Years

[21] Appl. No.: 232,376

[22] Filed: Aug. 15, 1988

[52] U.S. Cl. .... D23/206; D34/39; D23/249; 137/382

[58] Field of Search ..... D23/260, 233, 202-206, D23/233-237, 244-249; D25/119, 120, 125; D34/38, 39; 220/1.5, 85 P; 137/377, 382, 382.5

4,648,521 3/1987 Thomas et al. .... 220/1.5  
 4,673,087 6/1987 Webb ..... 206/503 X

OTHER PUBLICATIONS

Sweet's Catalog, Corrugated Sheeting, p. 5.23a, 1981.  
 Reynold's Metals Company, Roof & Siding Products, p. 7.4/Rey, (2&5), 1981.

Primary Examiner—James R. Largen  
 Attorney, Agent, or Firm—Harness, Dickey & Pierce

[57] CLAIM

The ornamental design for corrugated valve guard, as shown and described.

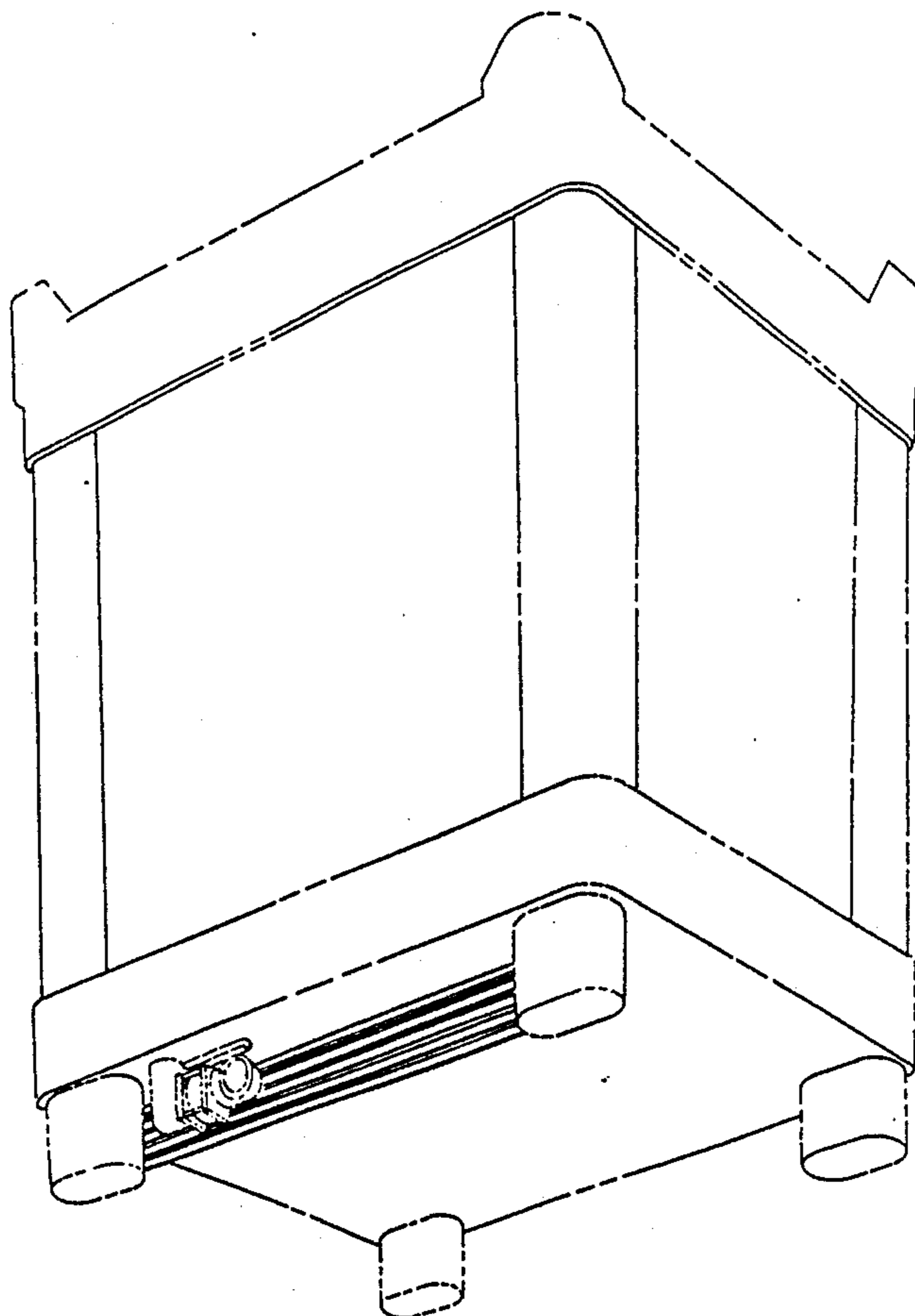
DESCRIPTION

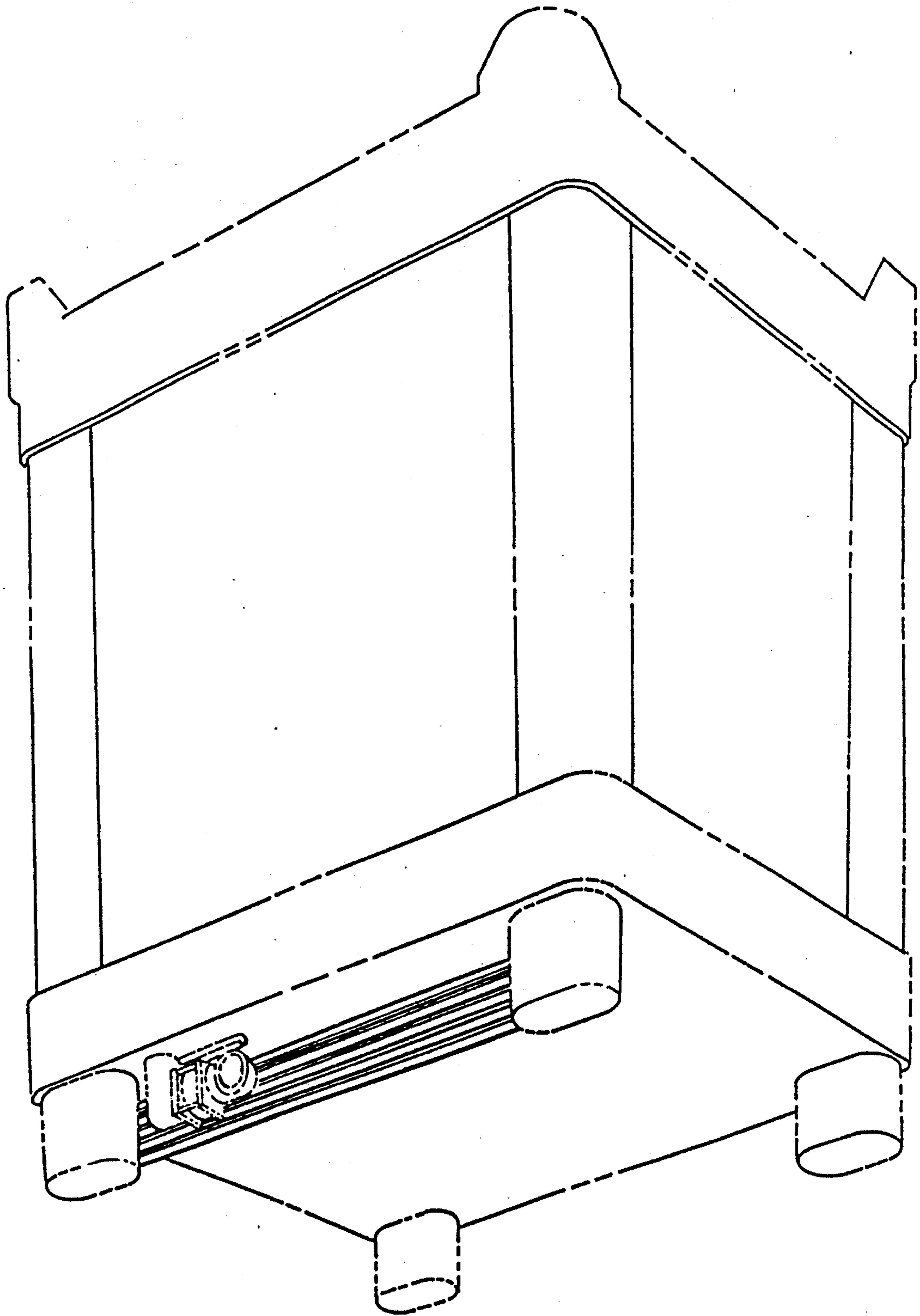
FIG. 1 is a perspective view of a corrugated valve guard showing our new design, and illustrating the valve guard applied to a bottom discharge tank which is shown in broken lines;  
 FIG. 2 is a top plan view thereof;  
 FIG. 3 is a front elevational view thereof;  
 FIG. 4 is a rear elevational view thereof;  
 FIG. 5 is an end elevational view thereof, the opposite end being a mirror image of the end shown; and  
 FIG. 6 is a cross-sectional view thereof, taken along line 6-6 of FIG. 4.  
 The broken line representation of a tank in FIG. 1 is for purpose of illustration and forms no part of the claimed design.

[56] References Cited

U.S. PATENT DOCUMENTS

D. 105,960	9/1937	Lieberman	.....	D23/249
D. 204,822	5/1966	Barker	.....	D23/206
D. 239,159	3/1881	Gausson	.....	D24/141
D. 270,092	8/1983	Lacasse	.....	D25/123
D. 273,510	4/1984	Mayor	.....	D23/206
D. 286,433	10/1986	Greco	.....	D25/141
D. 290,285	6/1987	Goode et al.	.....	D23/206
D. 298,450	11/1988	Thomas et al.	.....	D23/202
2,945,294	7/1960	Courtot et al.	.....	137/382
3,006,360	10/1961	Oxenham	.....	137/382
3,964,508	6/1976	Miller	.....	137/377
4,398,653	8/1983	Daloisio	.....	206/512 X

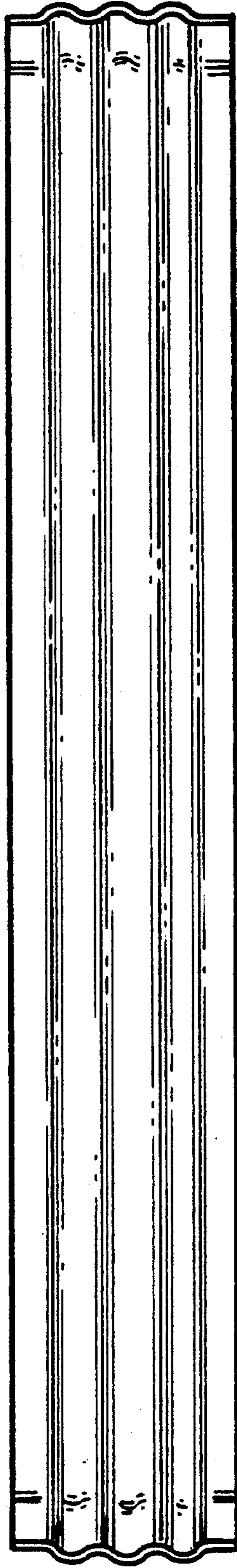




—FIG. 1



—FIG. 2



—FIG. 3

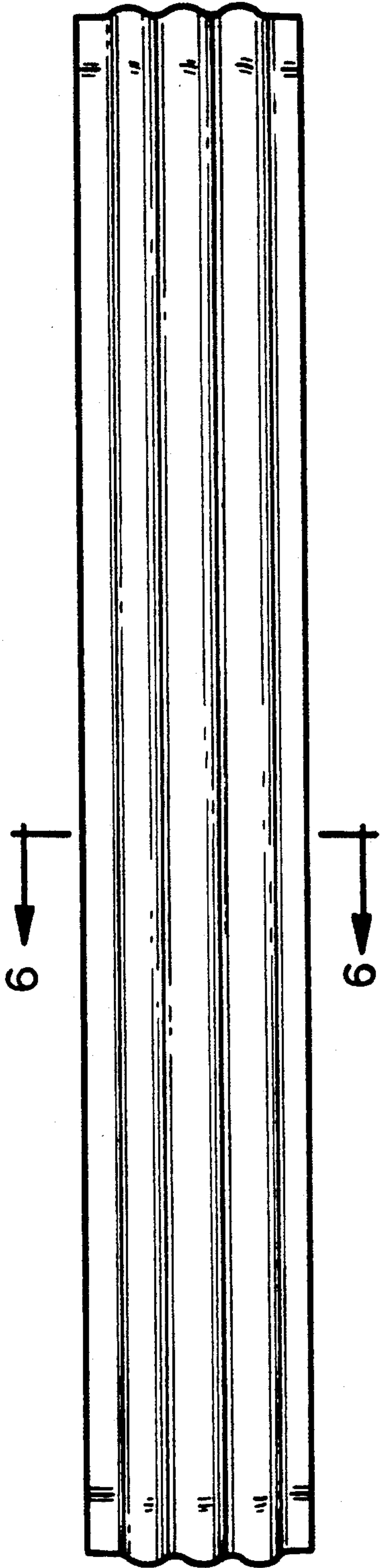


FIG. 4



FIG. 5



FIG. 6