

[54] BAITCAST FISHING REEL

[75] Inventors: Richard J. Robbins, Derby, Kans.; Steven W. Vogts, Broken Arrow, Okla.

[73] Assignee: Zebco Corporation, Tulsa, Okla.

[**] Term: 14 Years

[21] Appl. No.: 289,760

[22] Filed: Dec. 27, 1988

[52] U.S. Cl. D22/140

[58] Field of Search D22/140, 141; 242/257-262, 279

[56] References Cited

U.S. PATENT DOCUMENTS

| | | | |
|------------|---------|---------------------|---------|
| D. 281,188 | 10/1985 | Shohoji et al. | D22/140 |
| D. 283,435 | 4/1986 | Robbins | D22/140 |
| D.284,209 | 6/1986 | Iwama et al. | D22/140 |
| D. 290,635 | 6/1987 | Nakamura | D22/140 |
| D. 294,380 | 2/1988 | Robbins et al. | D22/140 |
| D. 294,381 | 2/1988 | Robbins | D22/140 |
| D. 299,511 | 1/1989 | Kameda et al. | D22/140 |
| D. 308,406 | 6/1990 | Robbins | D22/140 |
| 4,807,827 | 2/1989 | Welch | 242/279 |

OTHER PUBLICATIONS

Bass Pro Shop, 1987 Catalog, p. 56, Quantum Reel "C" 1310L.

Bass Pro Shop, 1987 Catalog, p. 57, Quantum Reels QD1510 and QD1610.

Primary Examiner—A. Hugo Word

Assistant Examiner—Doris V. Coles

Attorney, Agent, or Firm—Wood, Phillips, Mason, Recktenwald & VanSanten

[57] CLAIM

The ornamental design for a baitcast fishing reel, as shown and described.

DESCRIPTION

FIG. 1 is a front and side perspective view of a baitcast fishing reel showing our new design;

FIG. 2 is a rear and side perspective thereof;

FIG. 3 is a left side elevational view thereof;

FIG. 4 is a right side elevational view thereof;

FIG. 5 is a bottom plan view thereof;

FIG. 6 is a top plan view thereof;

FIG. 7 is a front elevational view thereof; and

FIG. 8 is a rear elevational view thereof.

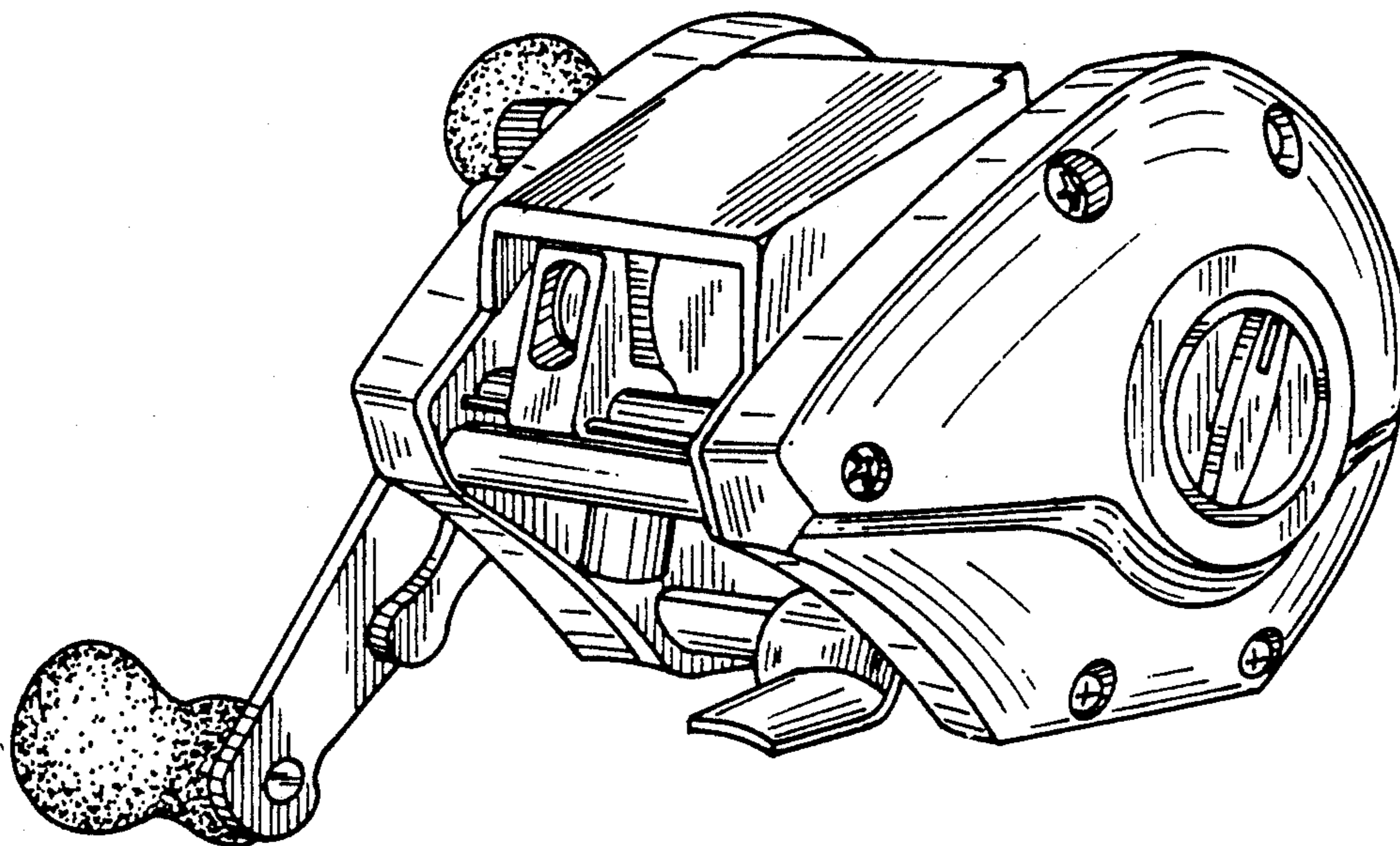


FIG. 1

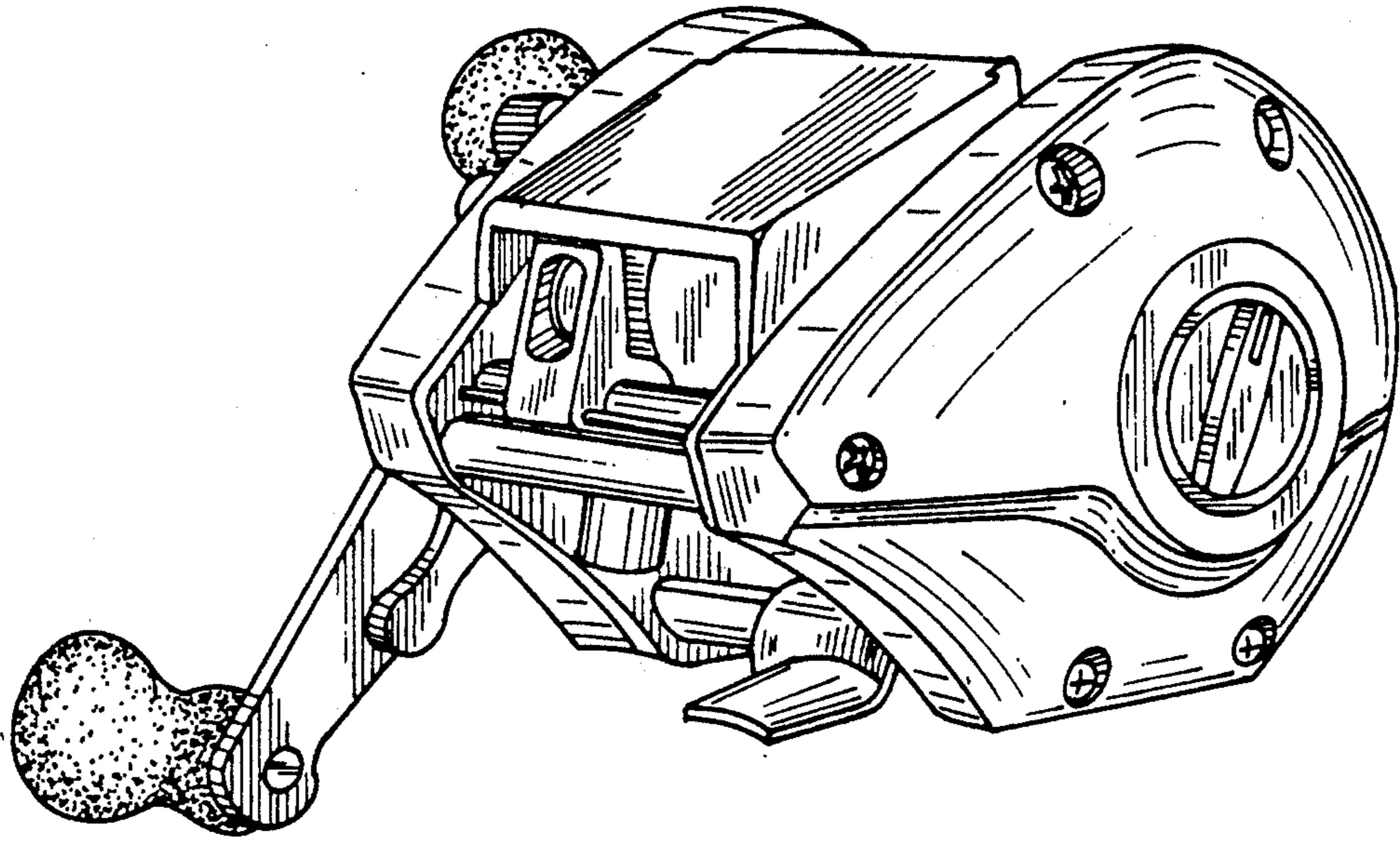


FIG. 2

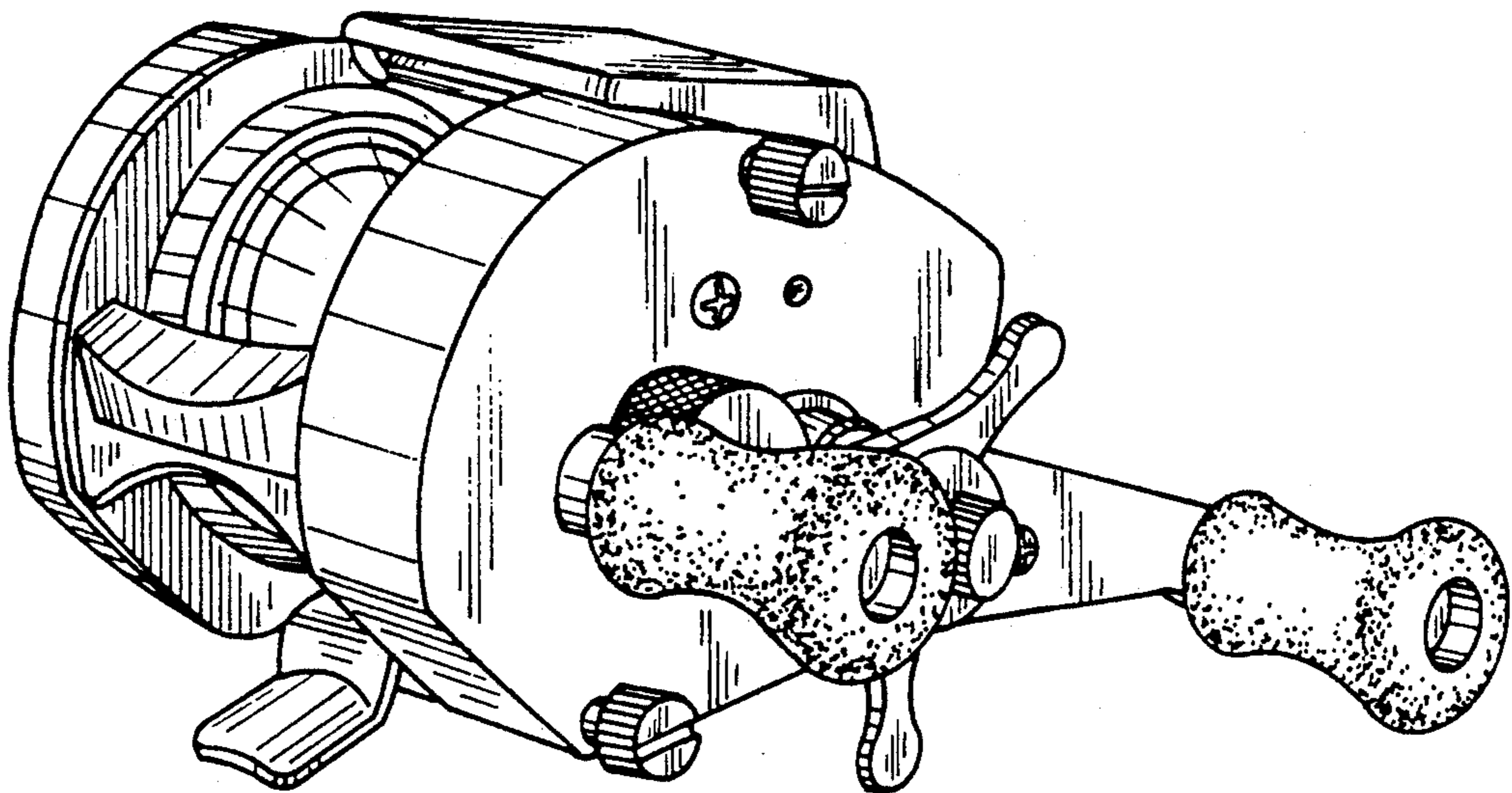


FIG. 7

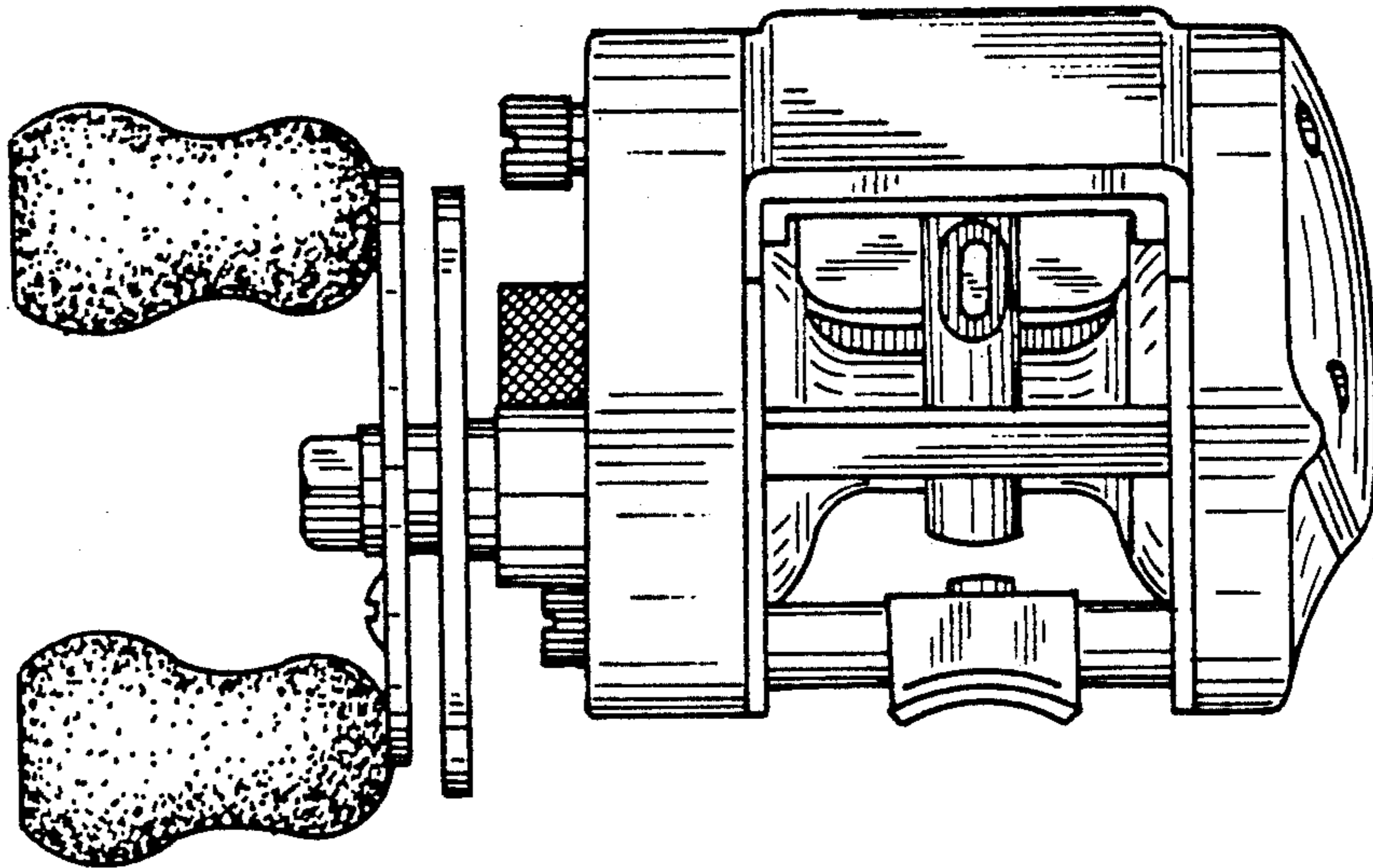


FIG. 8

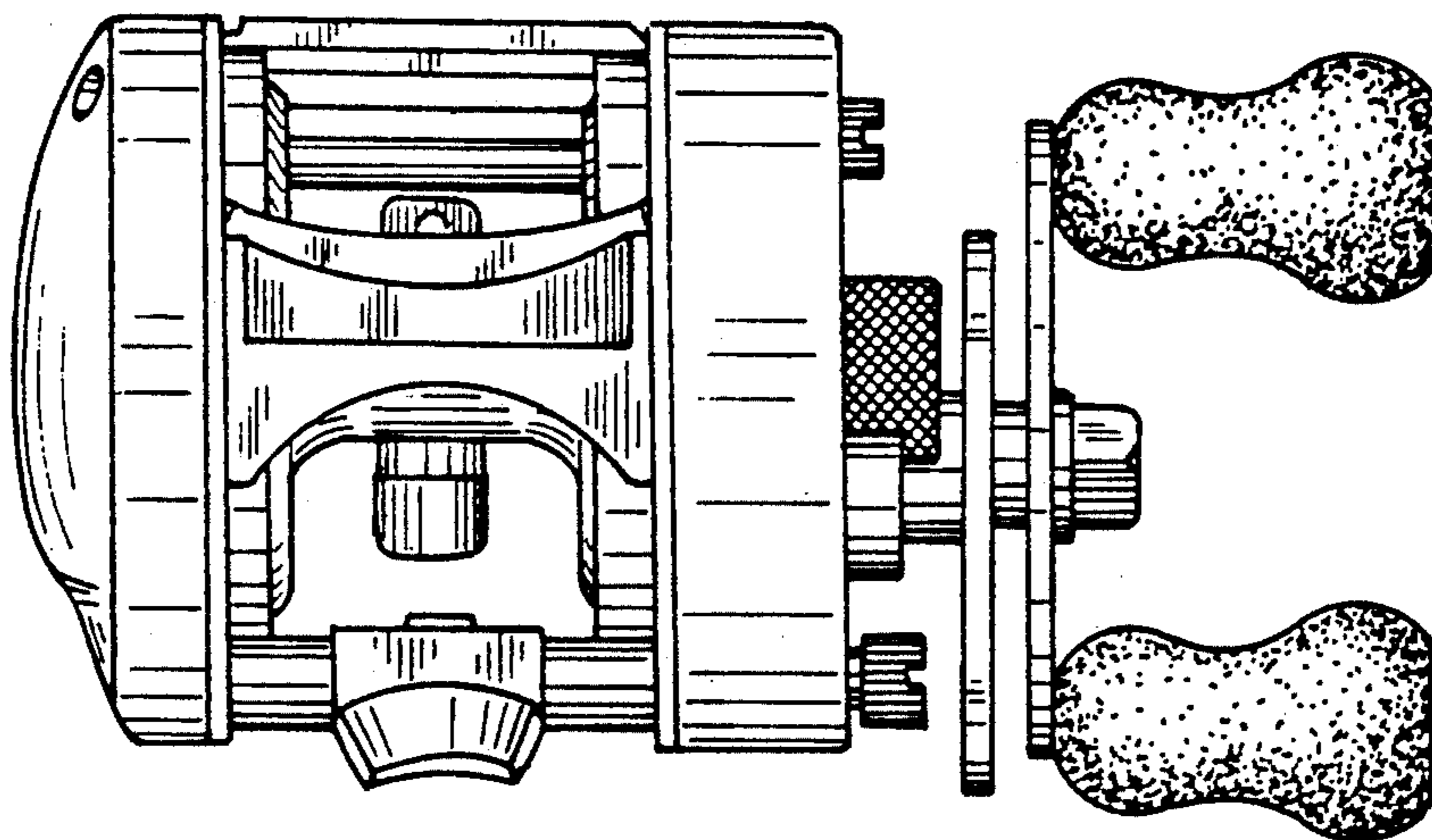


FIG. 3

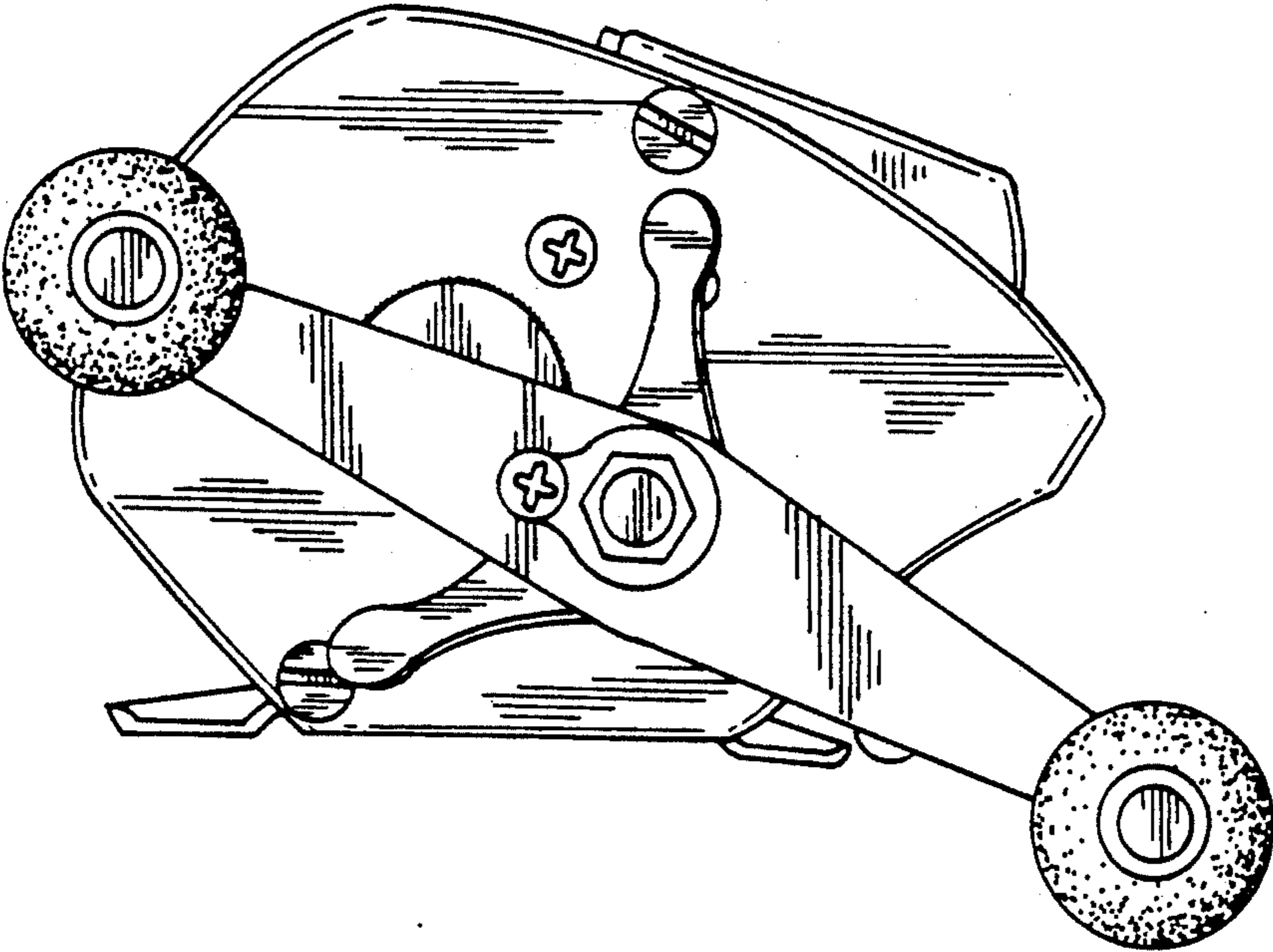


FIG. 4

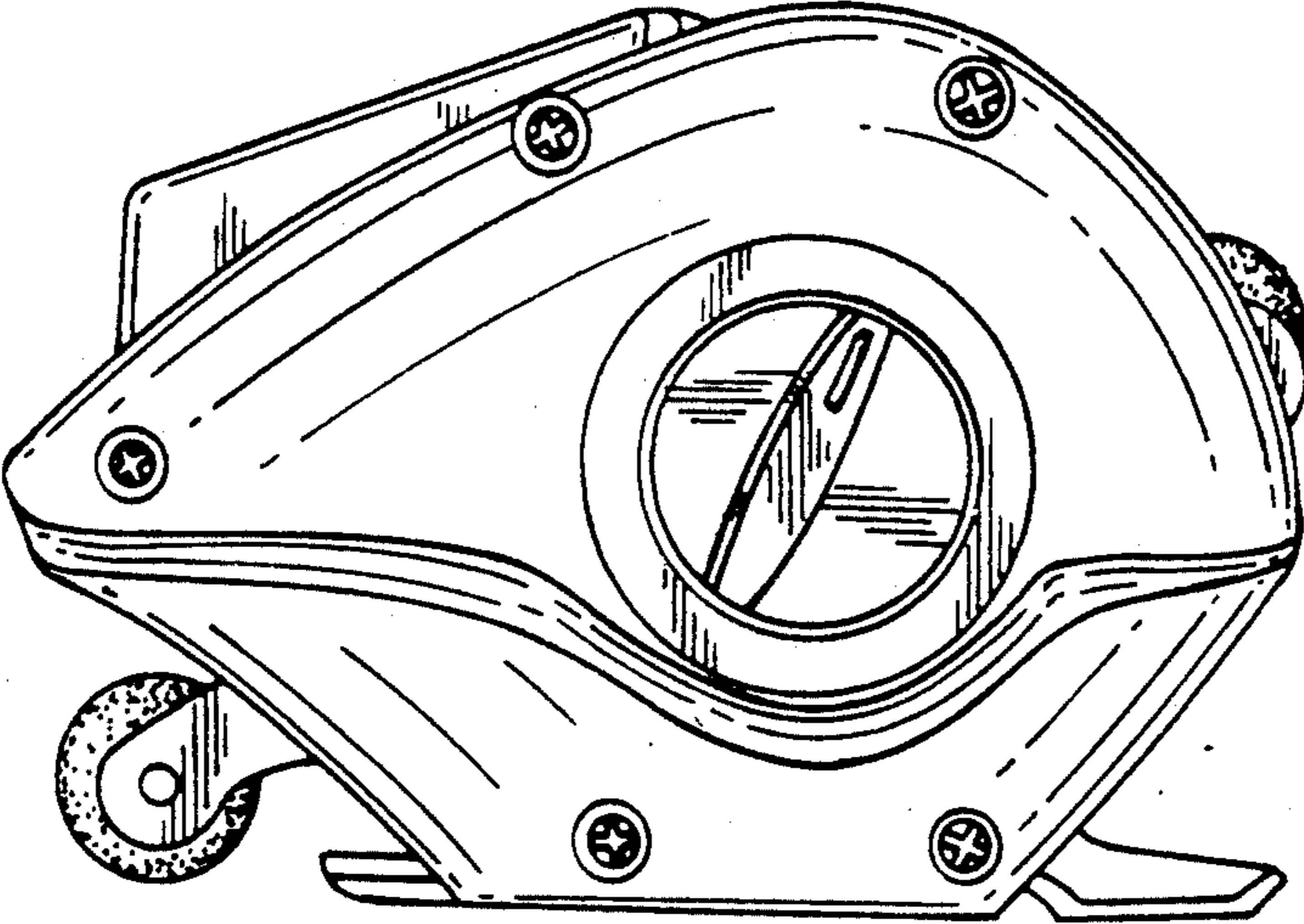


FIG. 5

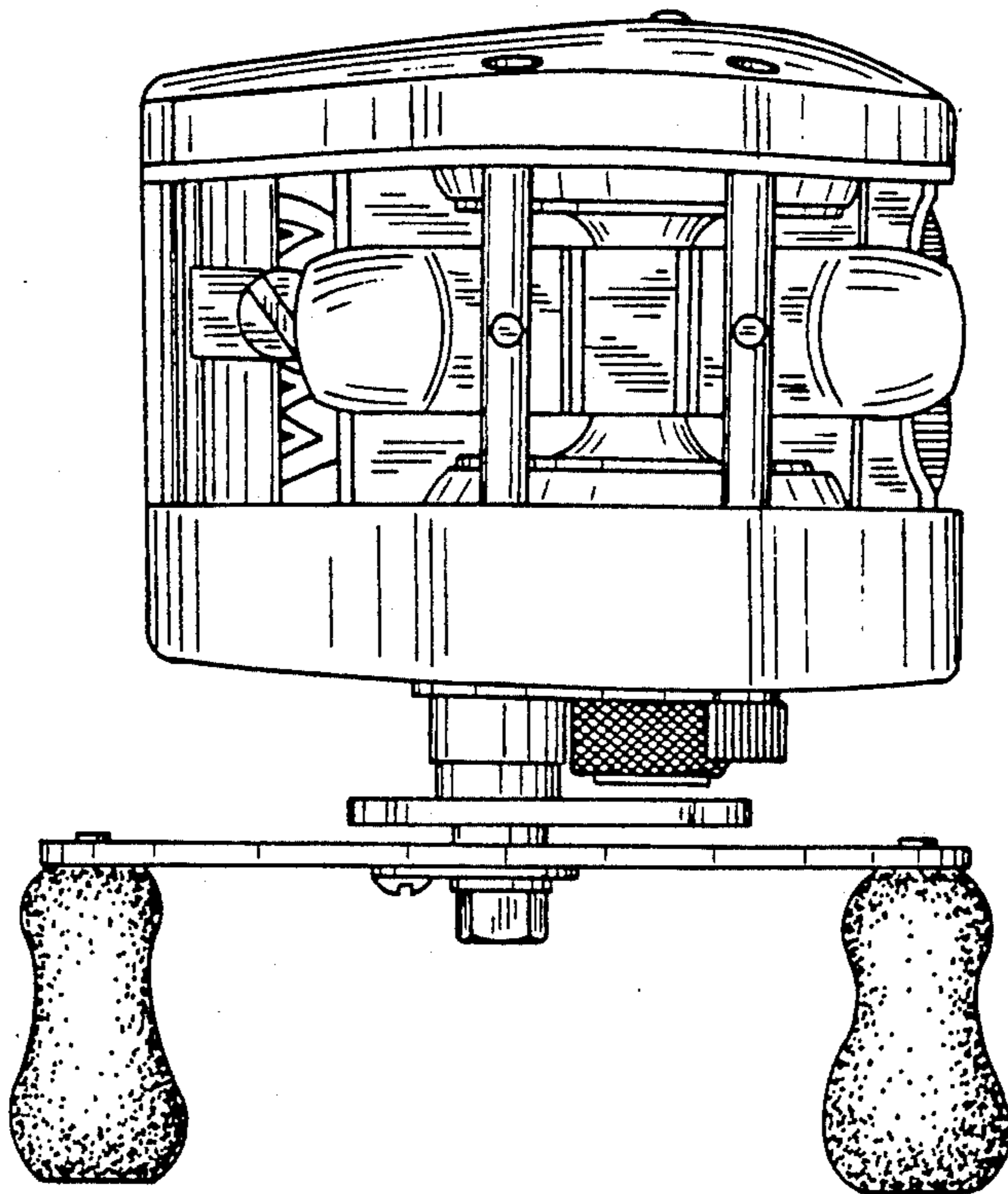


FIG. 6

