

United States Patent [19]

Kaye

[11] Patent Number: Des. 319,279

[45] Date of Patent: ** Aug. 20, 1991

[54] POOL TABLE

[75] Inventor: Howard Kaye, Greenwich, Conn.

[73] Assignee: Designs For Leisure, Ltd., Mount Kisco, N.Y.

[**] Term: 14 Years

[21] Appl. No.: 418,478

[22] Filed: Oct. 10, 1989

[52] U.S. Cl. D21/232

[58] Field of Search D21/232; 273/3 R, 3 C, 273/59 A, 59 R, 59 B; D6/484, 487

[56] References Cited

U.S. PATENT DOCUMENTS

D. 109,825	5/1938	Wendt	D21/232
D. 122,580	9/1940	Wendt	D21/232
D. 259,651	6/1981	Kaye	D21/232
D. 293,400	12/1987	Stewart	D6/487
3,103,359	9/1963	Gentke, Jr.	273/68

3,917,264 11/1975 Davidson et al. 273/68

OTHER PUBLICATIONS

Coleco, 1969, Catalog, The Champ Table.

Primary Examiner—Bernard Ansher

Assistant Examiner—Prabhakar Deshmukh

Attorney, Agent, or Firm—William E. Pelton

[57] CLAIM

The ornamental design for a pool table, as shown and described.

DESCRIPTION

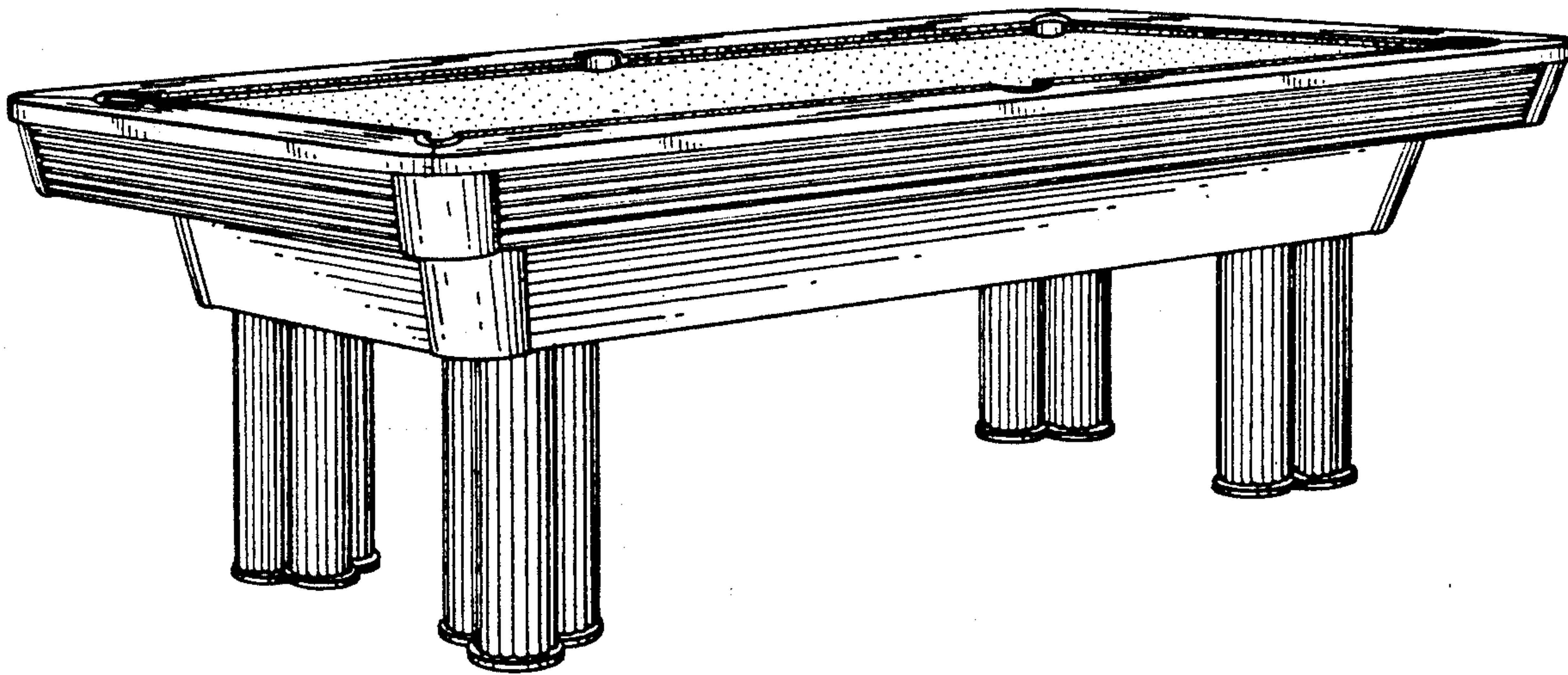
FIG. 1 is a perspective view of a pool table showing my new design;

FIG. 2 is a top plan view thereof;

FIG. 3 is a front elevational thereof; the rear elevation being a mirror image thereof;

FIG. 4 is a left side elevation thereof; the right side elevation being a mirror image thereof; and

FIG. 5 is a bottom plan view thereof.



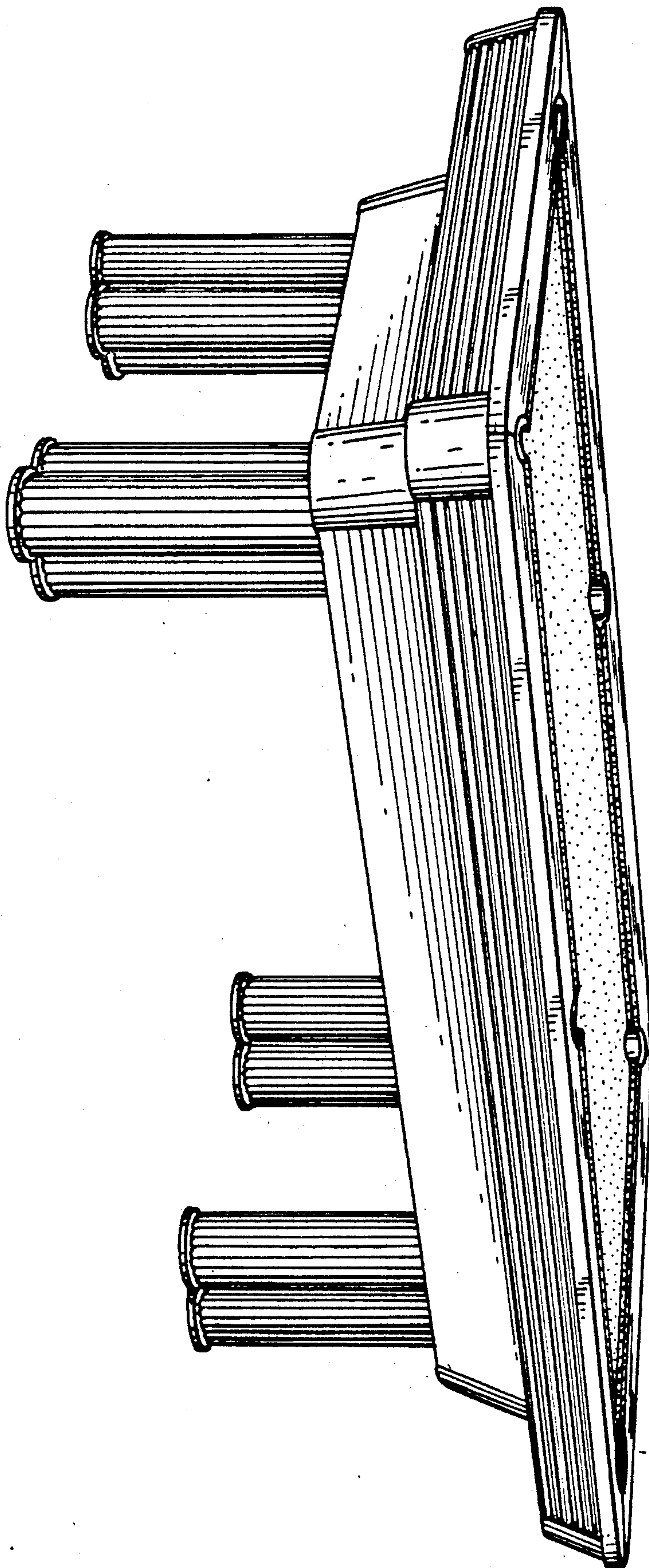


FIG. 1

FIG. 2

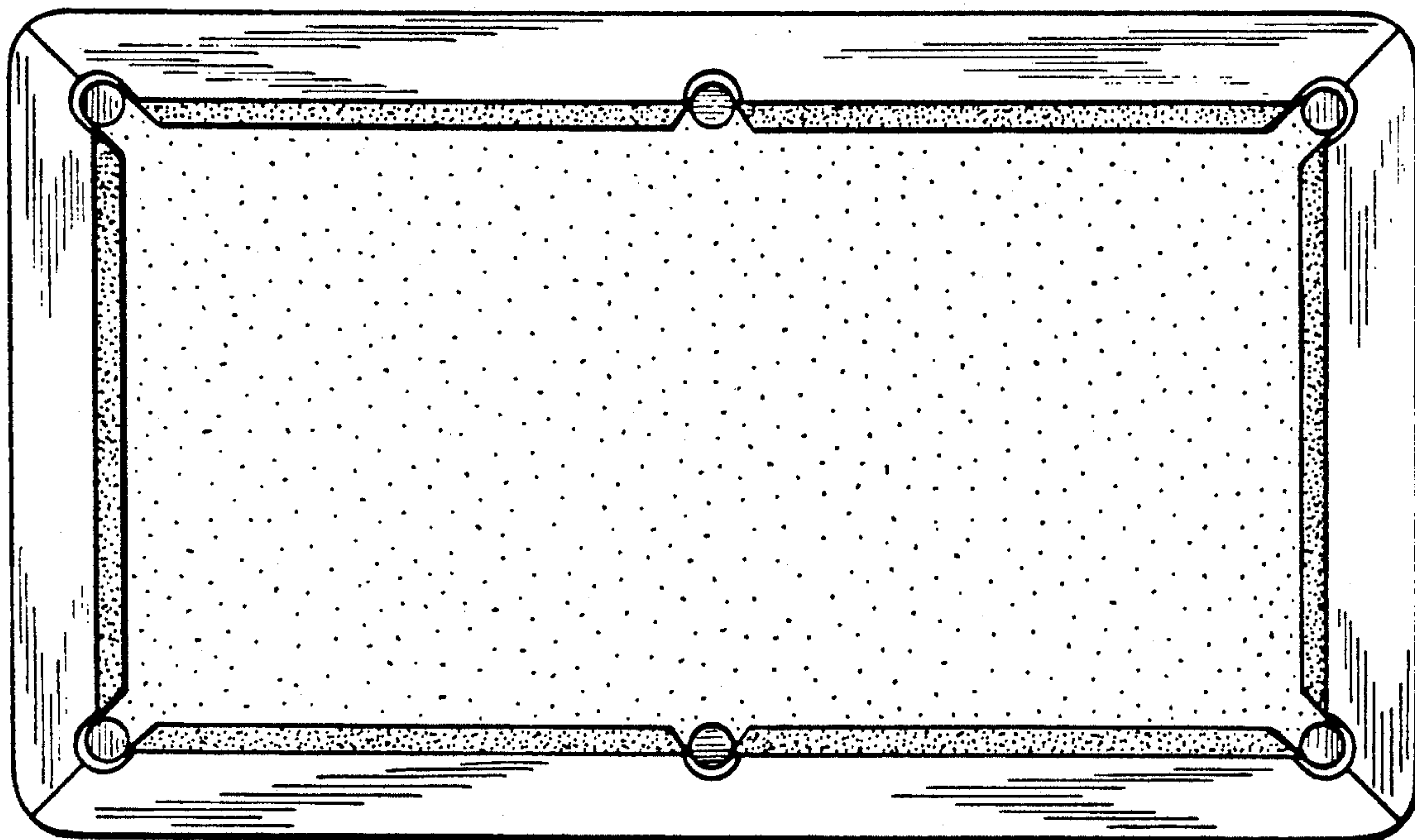


FIG. 3

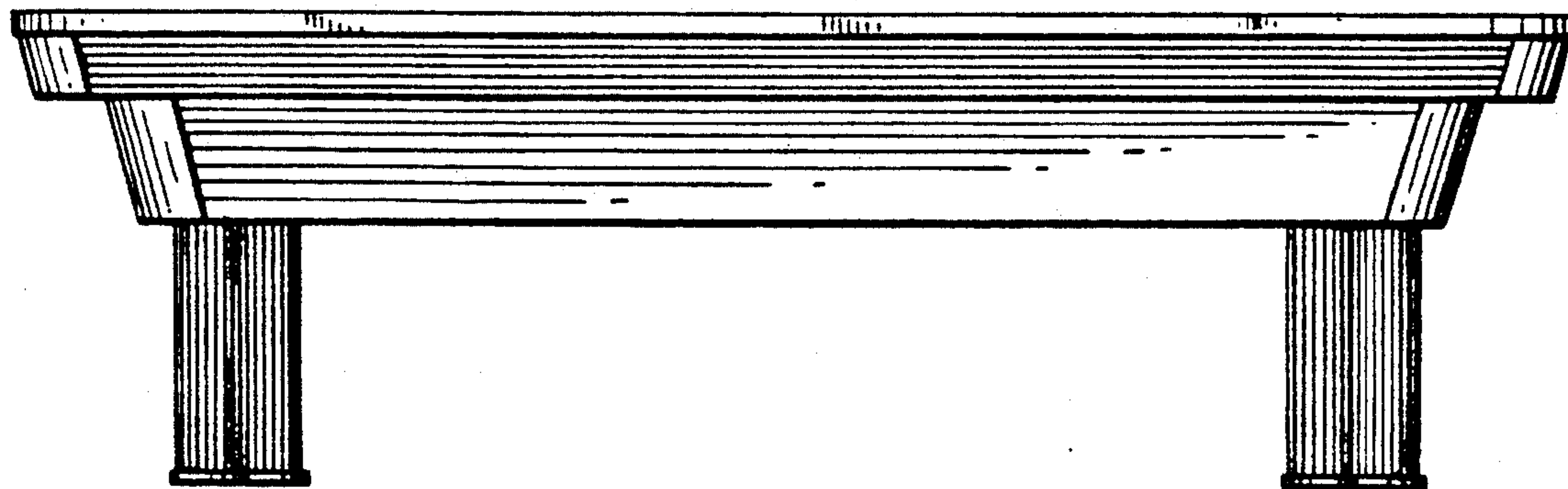


FIG. 4

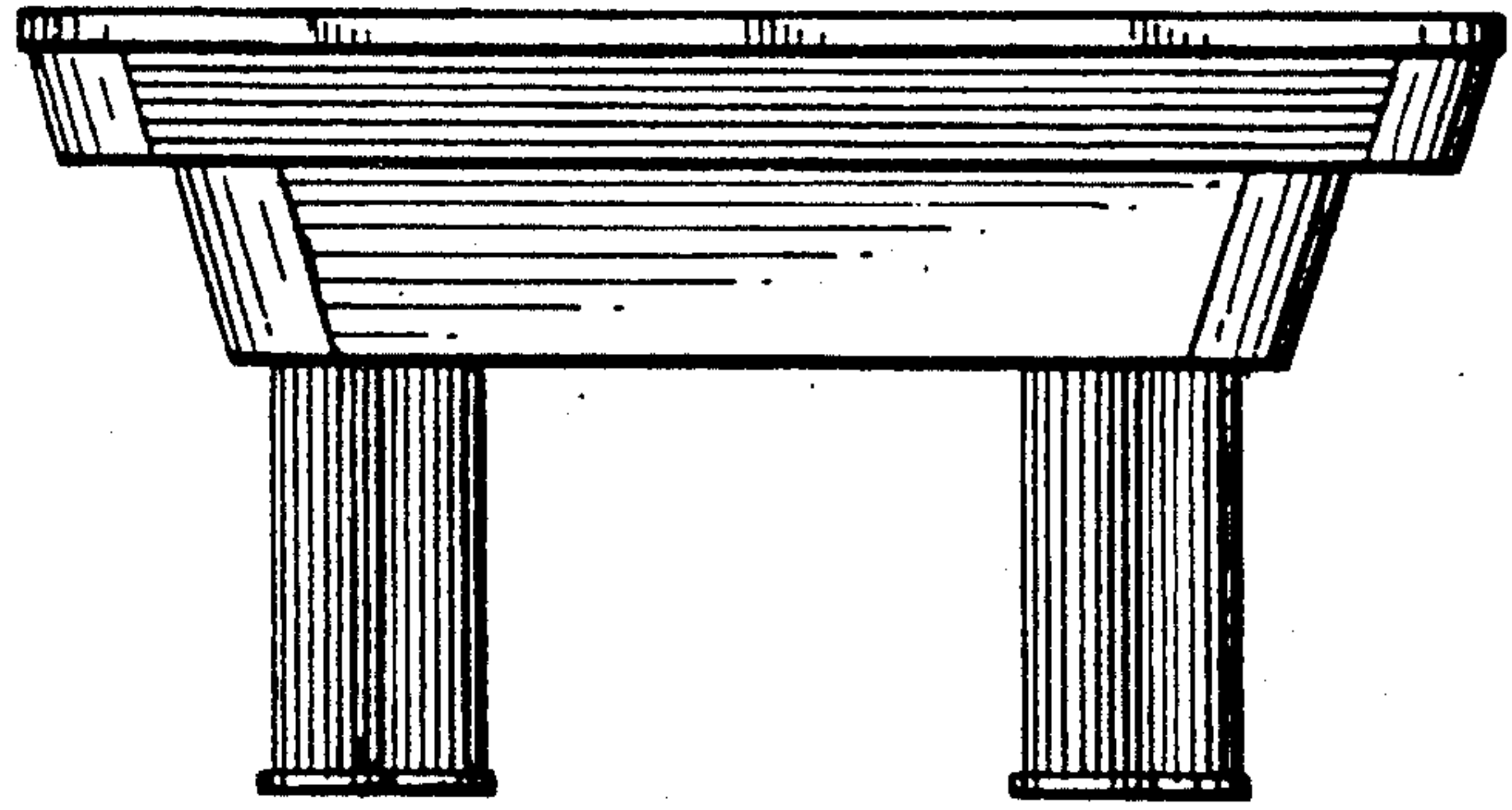


FIG. 5

