

[54] VEHICULAR EXERCISER  
 [76] Inventor: Steven C. Fox, 8601 Thimble Berry La., Tampa, Fla. 33635  
 [\*\*] Term: 14 Years  
 [21] Appl. No.: 262,018  
 [22] Filed: Oct. 26, 1988  
 [52] U.S. Cl. .... D21/198  
 [58] Field of Search ..... D21/191-199; 272/140, 141, 142, 143, 125

3,912,266 10/1975 Gury ..... 272/142  
 4,863,162 9/1989 Neckamm et al. .... 272/141

Primary Examiner—Charles A. Rademaker  
 Attorney, Agent, or Firm—Jerry T. Kearns

[57] CLAIM

The ornamental design for a vehicular exerciser, as shown and described.

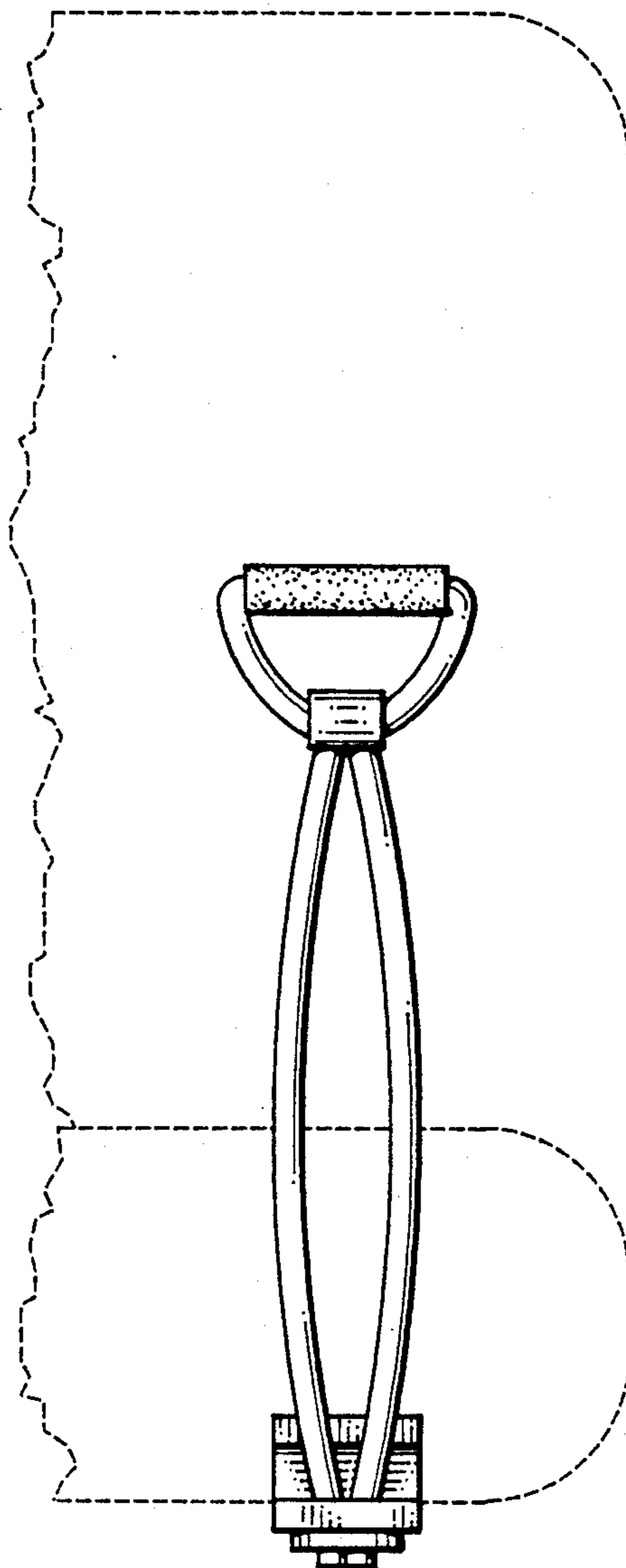
DESCRIPTION

FIG. 1 is a front elevational view of a vehicular exerciser showing my new design;  
 FIG. 2 is a rear elevational view thereof;  
 FIG. 3 is a left side elevational view thereof;  
 FIG. 4 is a right side elevational view thereof;  
 FIG. 5 is a top plan view thereof; and,  
 FIG. 6 is a bottom plan view thereof.  
 The broken line showing of a vehicle seat in FIGS. 1 through 6 is for illustrative purposes only and forms no part of the claimed design.

[56] References Cited

U.S. PATENT DOCUMENTS

D. 209,759	1/1968	Snyder	.....	D21/198
D. 292,427	10/1987	Baburek	.....	D21/198
1,867,642	7/1932	Woods	.....	272/140
3,129,940	4/1964	Lauro	.....	D21/198
3,415,515	12/1968	Otto	.....	272/142



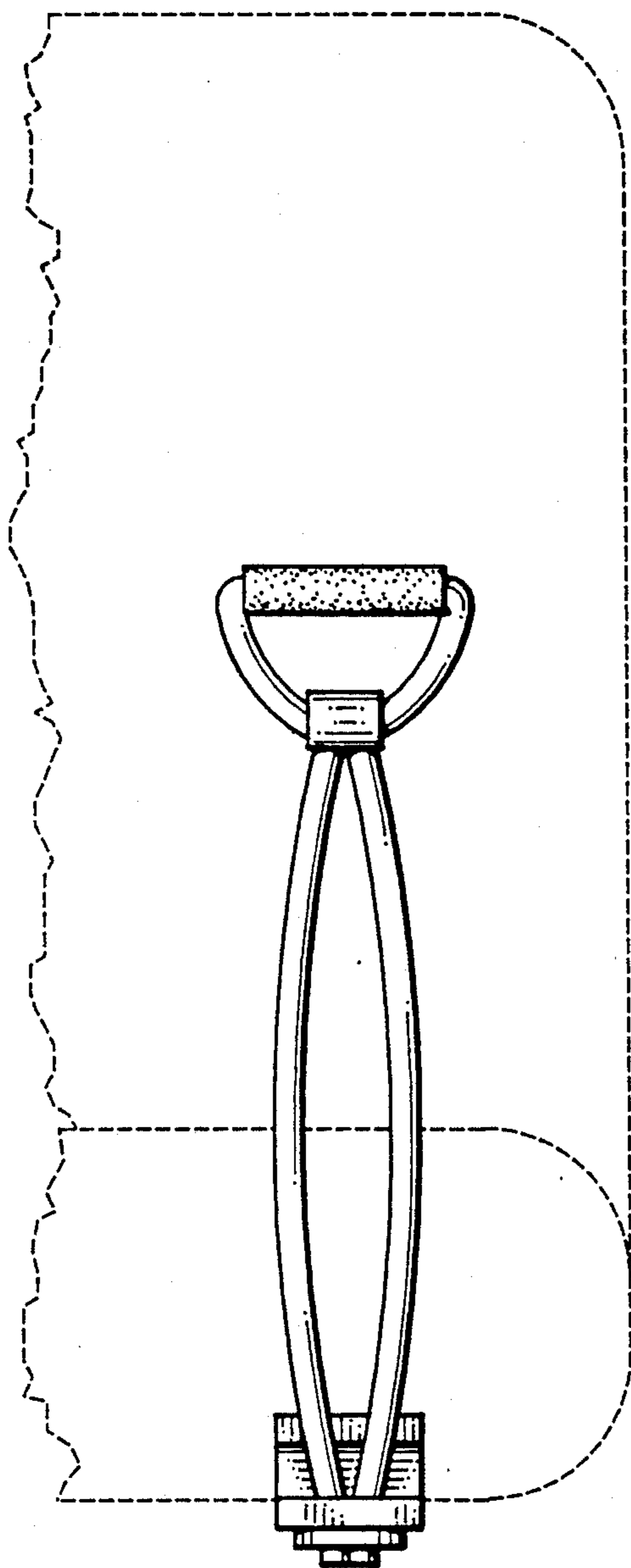


Fig. 1

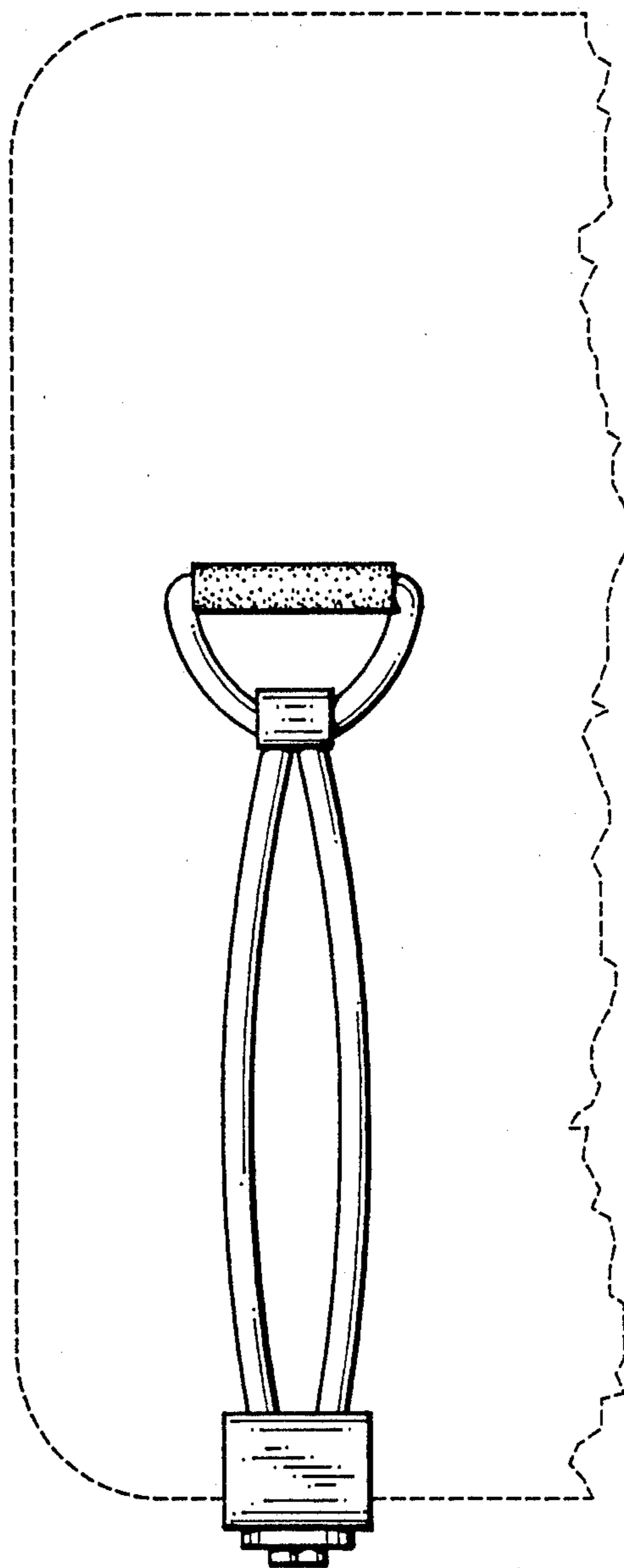
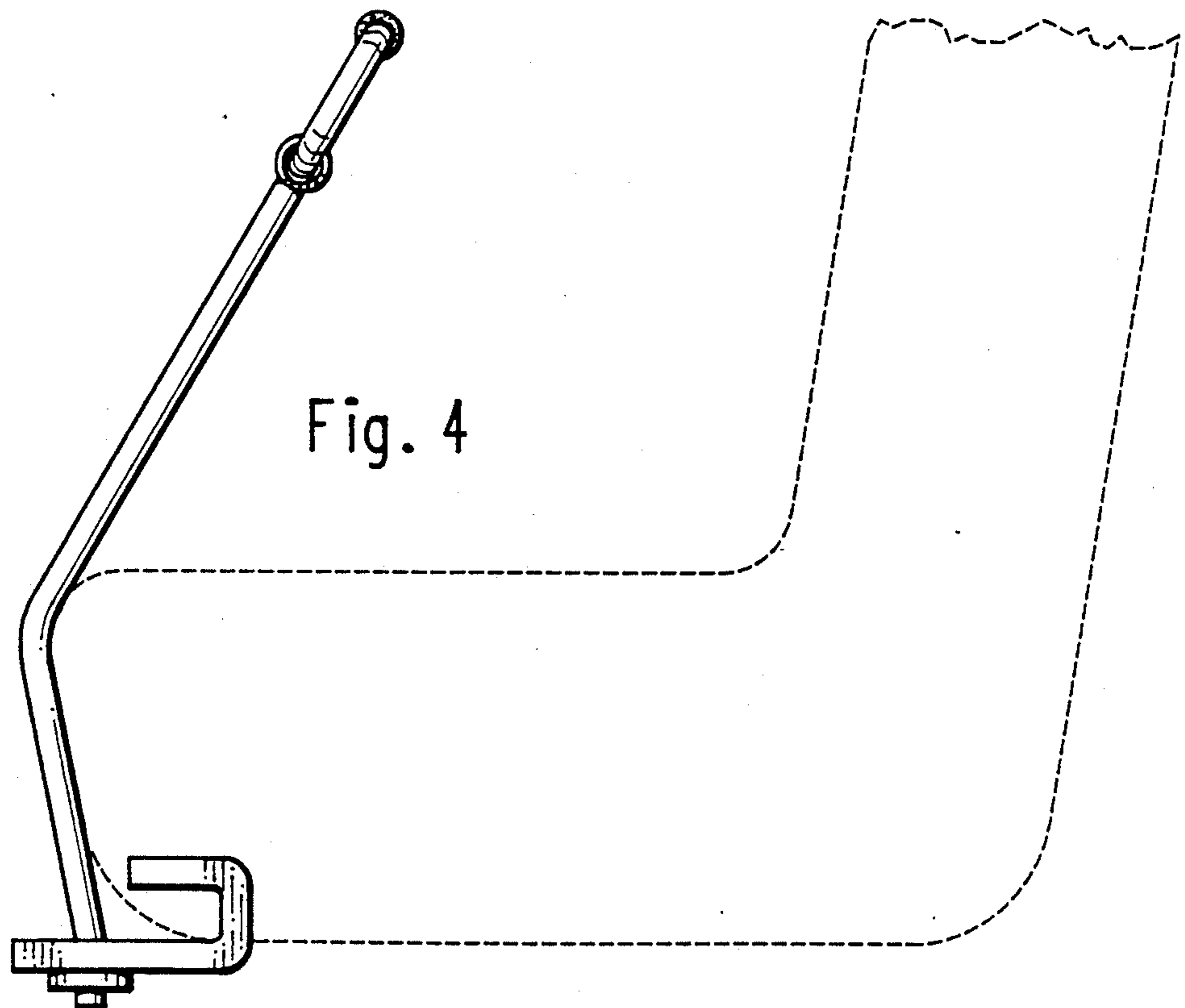
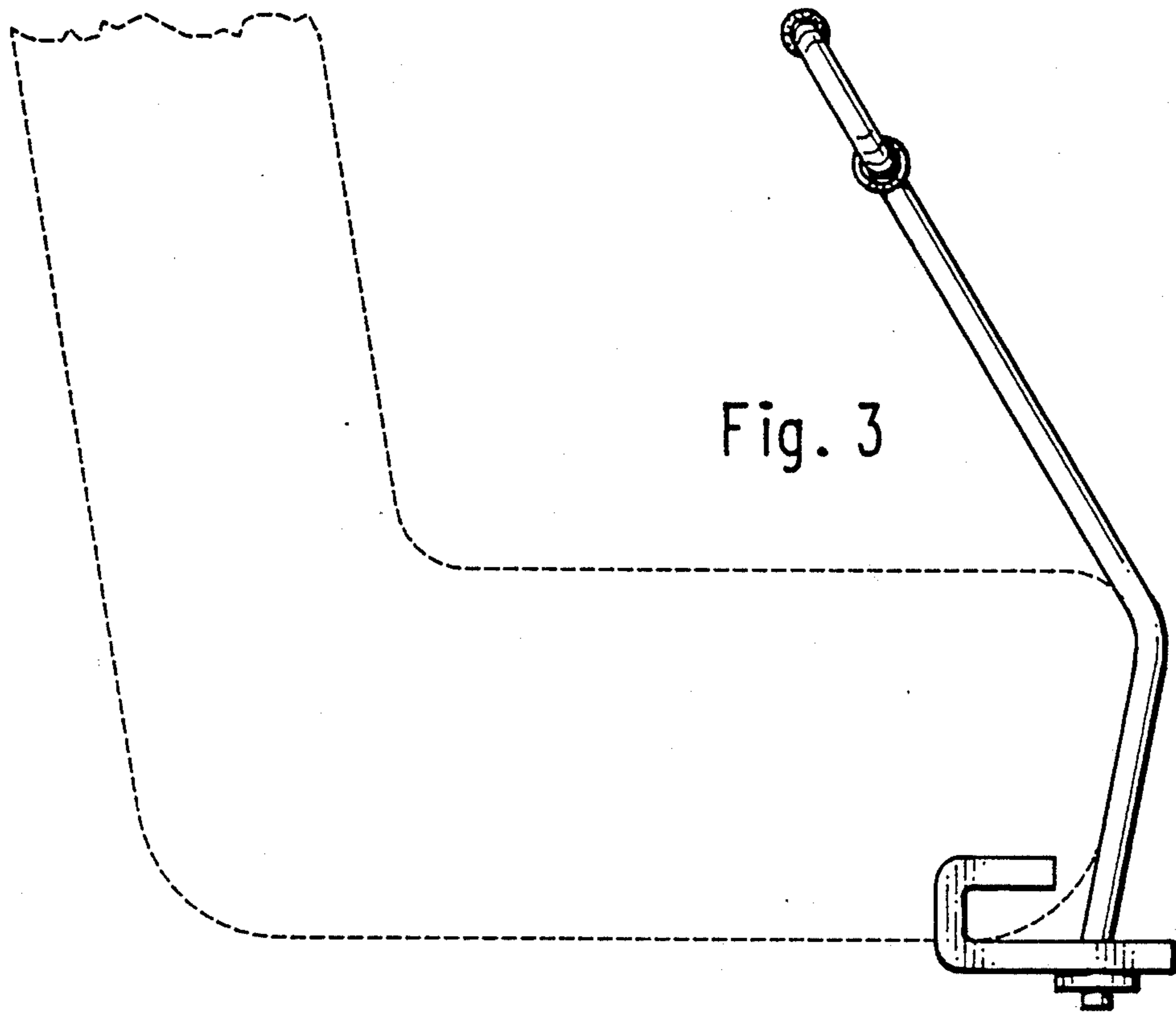


Fig. 2



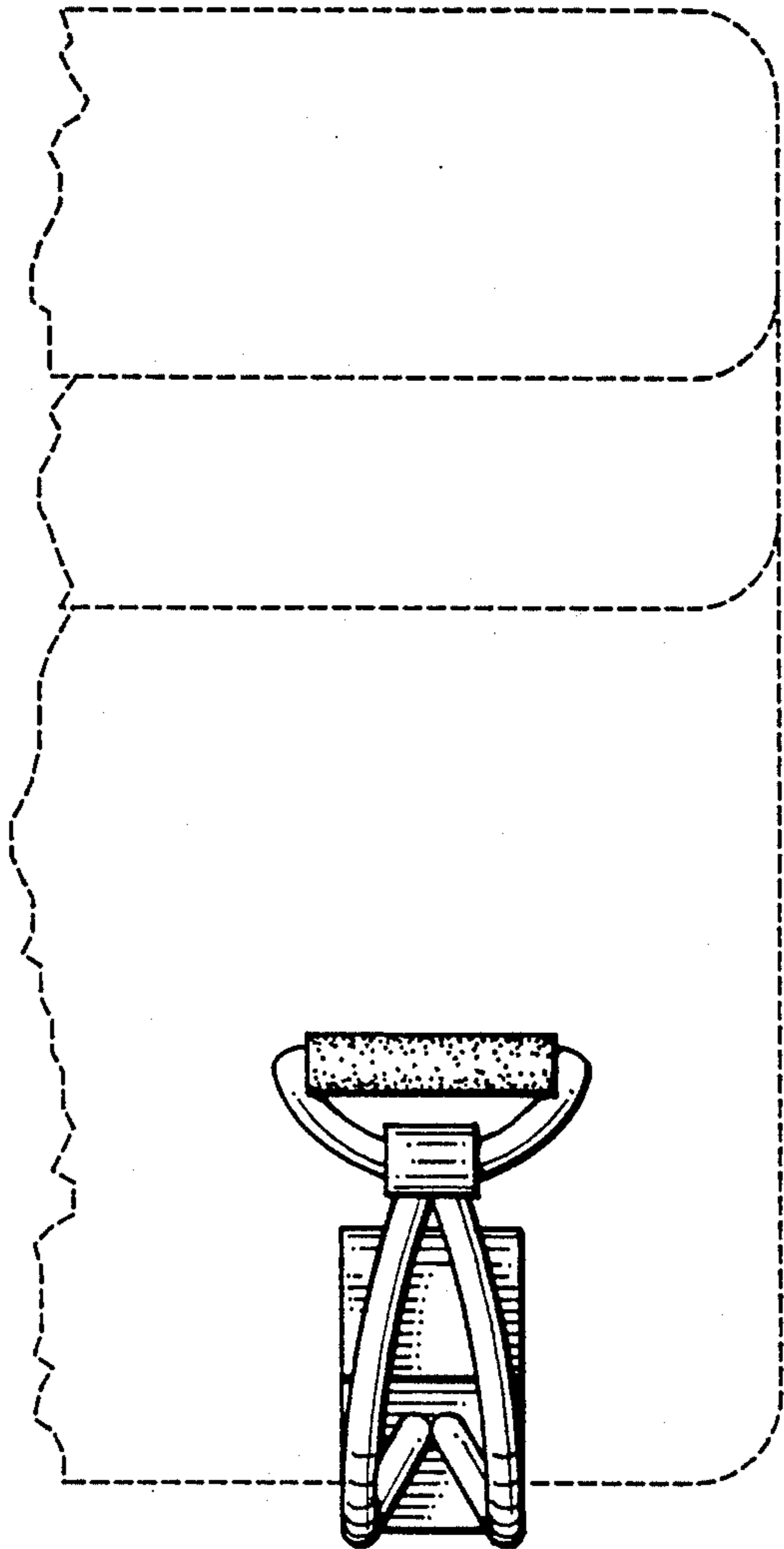


Fig. 5

Fig. 6

