

[54] TOY BUILDING ELEMENT

3,034,254 5/1962 Christiansen 446/128

[75] Inventors: Charlotte K. Hoyer, Charlottenlund; Berit Holmstrom, Roskilde, both of Denmark

[73] Assignee: Interlego A.G., Baar, Switzerland

[*] Notice: The portion of the term of this patent subsequent to Jul. 30, 2005 has been disclaimed.

[**] Term: 14 Years

[21] Appl. No.: 349,343

[22] Filed: May 9, 1989

[52] U.S. Cl. D21/108

[58] Field of Search D21/59, 108, 124, 141; 446/85, 102, 103, 105, 118, 121, 124, 126, 128

[56] References Cited

U.S. PATENT DOCUMENTS

- D. 179,688 2/1957 Kaplan D21/108
- D. 279,915 7/1985 Pibet D21/108
- D. 285,707 9/1986 Dideriksen D21/108

OTHER PUBLICATIONS

Playthings, Feb. 1985, p. 135.
Playthings, Oct. 1941, p. 47, top.

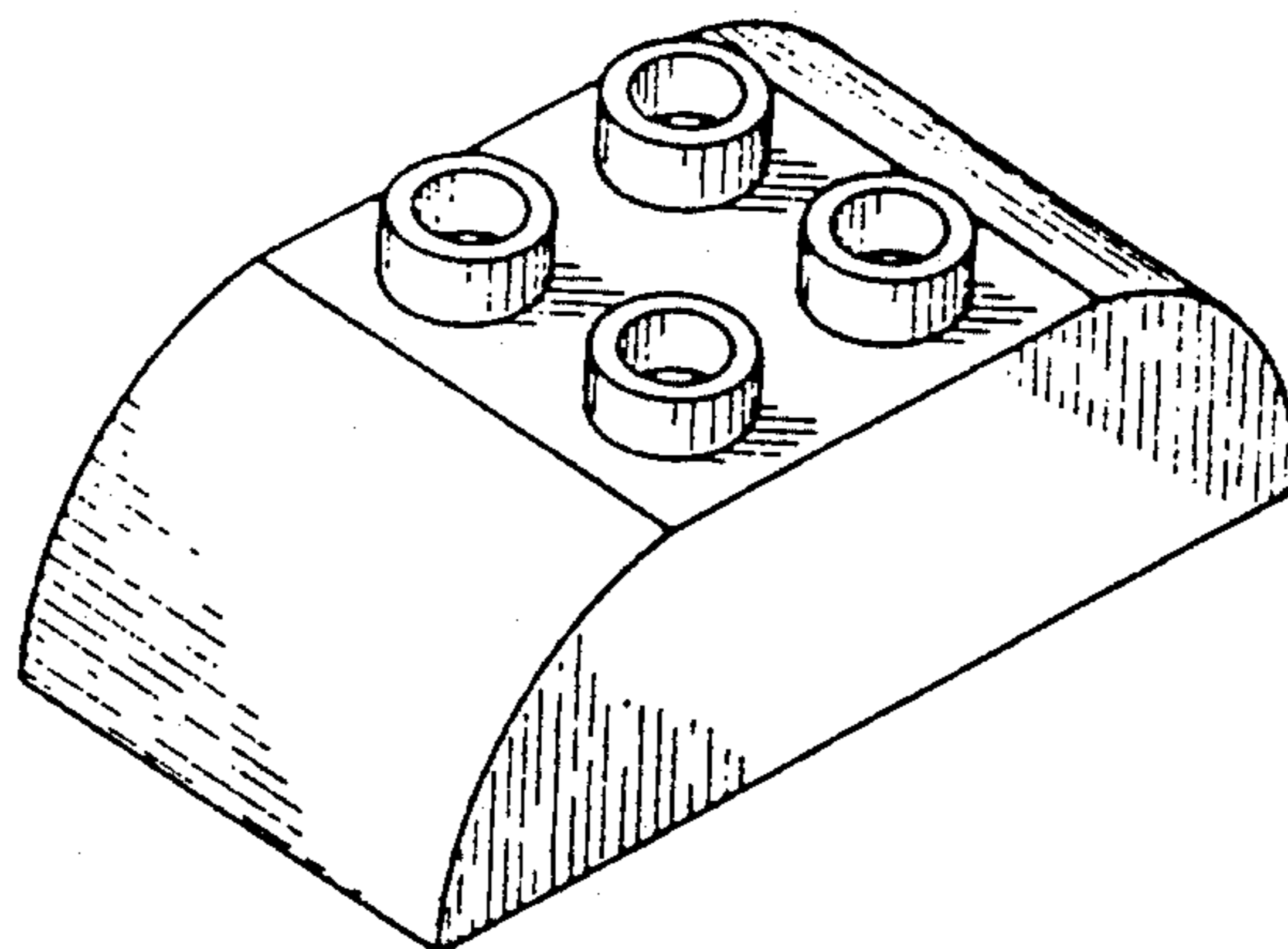
Primary Examiner—Bernard Ansher
Assistant Examiner—R. Barkai
Attorney, Agent, or Firm—Kane, Dalsimer, Sullivan, Kurucz, Levy, Eisele and Richard

[57] CLAIM

The ornamental design for toy building element, as shown and described.

DESCRIPTION

FIG. 1 is a top perspective view showing my new design,
FIG. 2 is a bottom perspective view thereof,
FIG. 3 is a top plan view thereof,
FIG. 4 is a bottom plan view thereof,
FIG. 5 is a side elevational view, the side opposite being identical,
FIG. 6 is a front elevational view thereof,
FIG. 7 is a rear elevational view thereof.



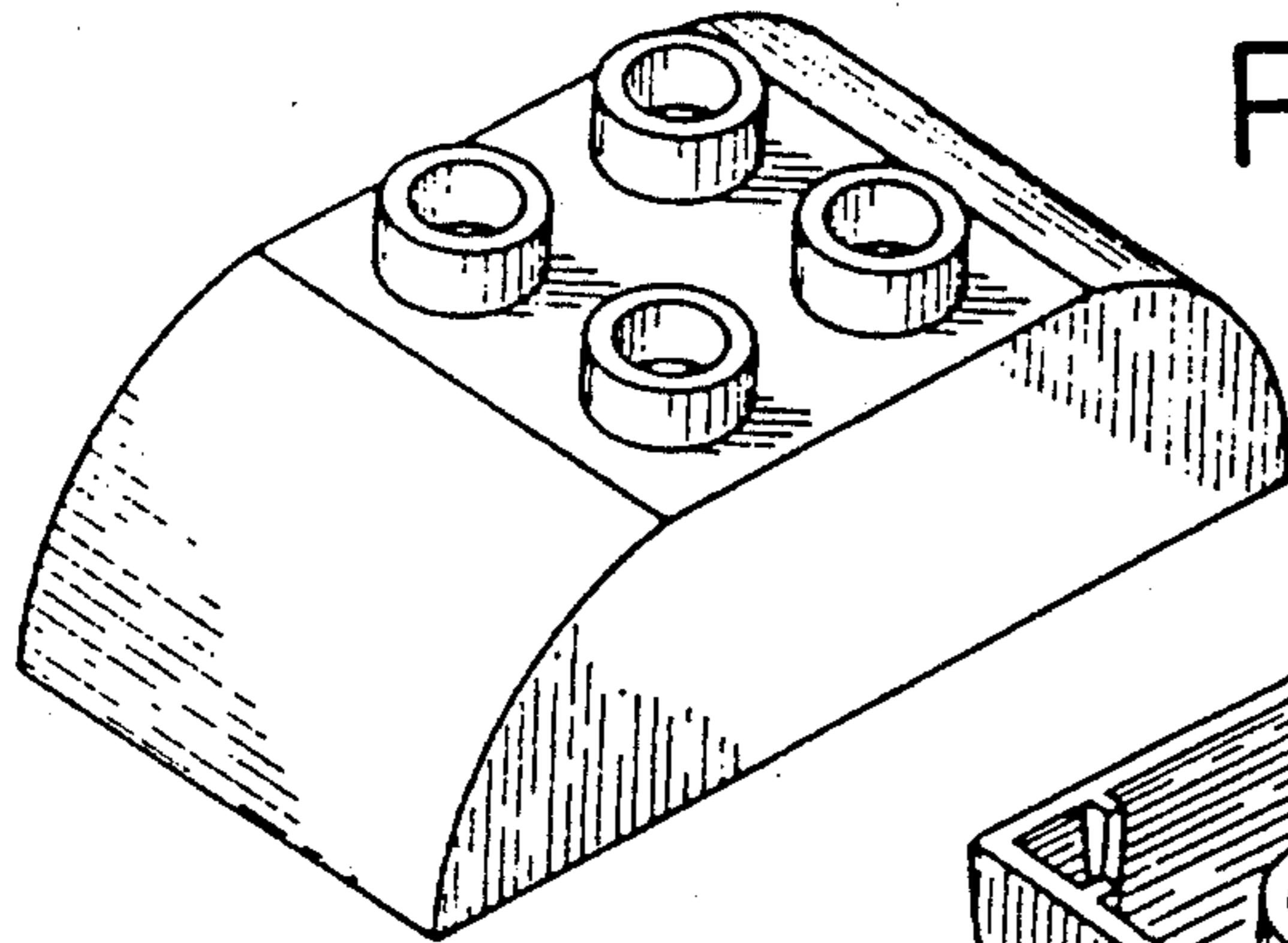


FIG.1

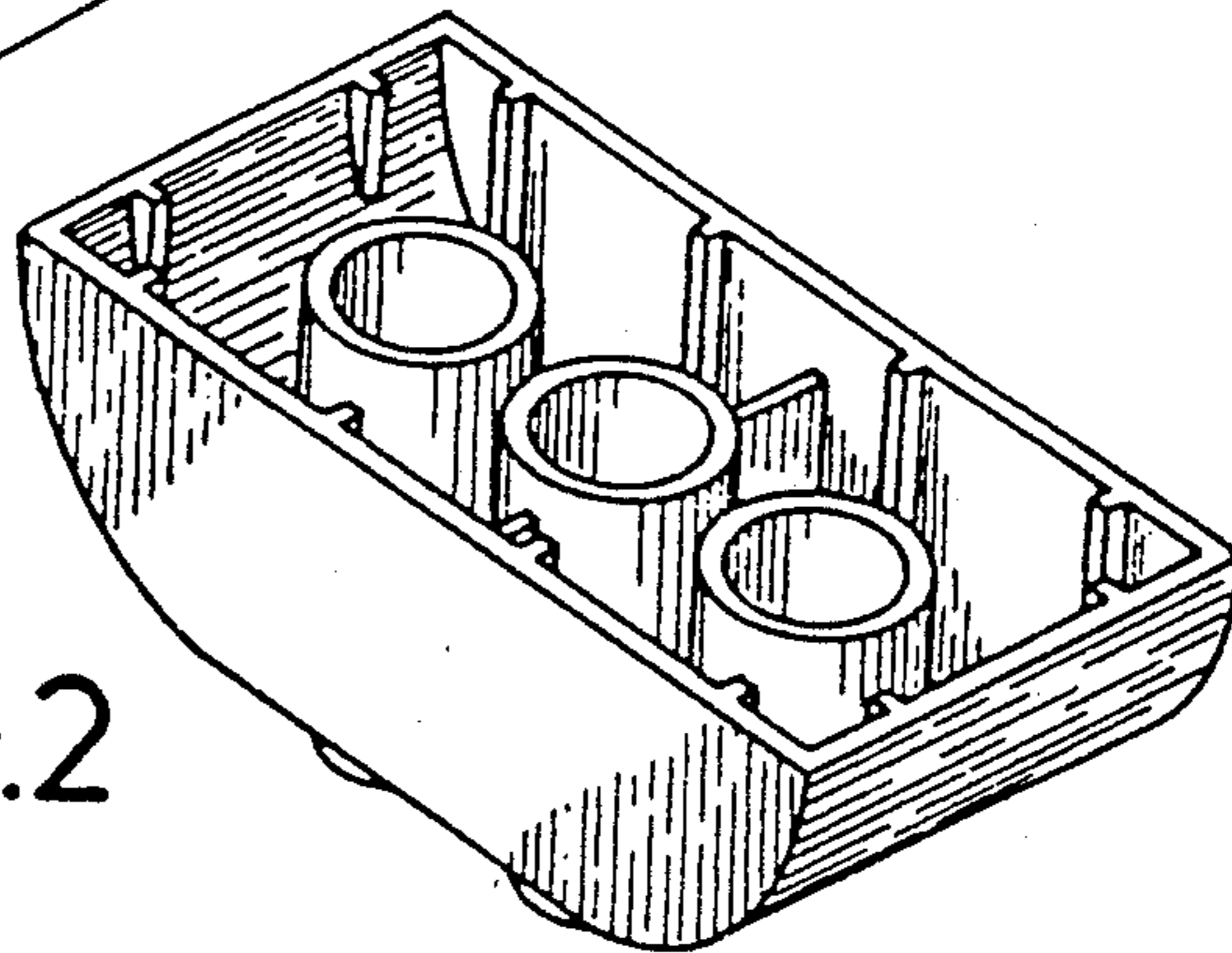


FIG.2

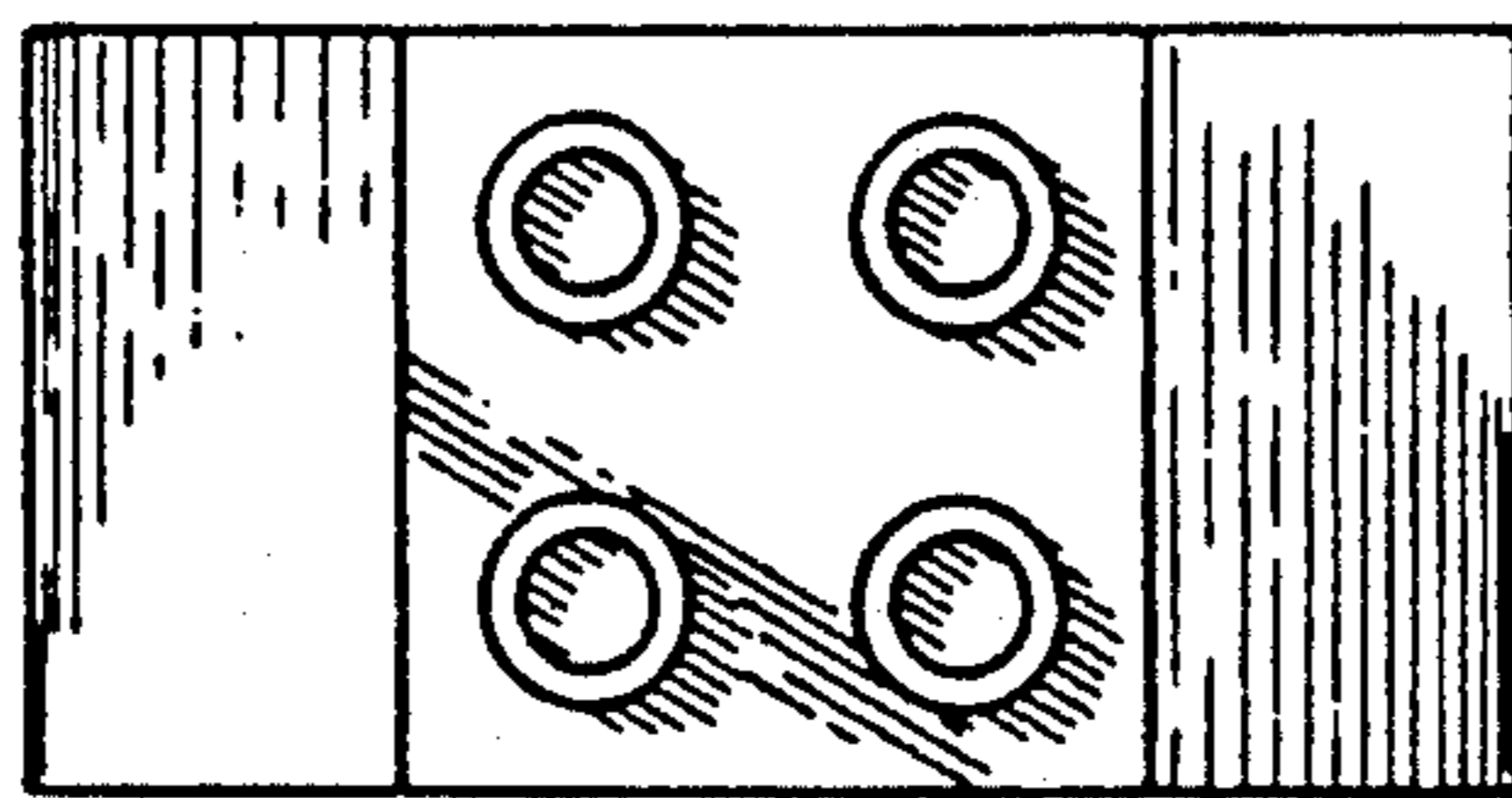


FIG.3

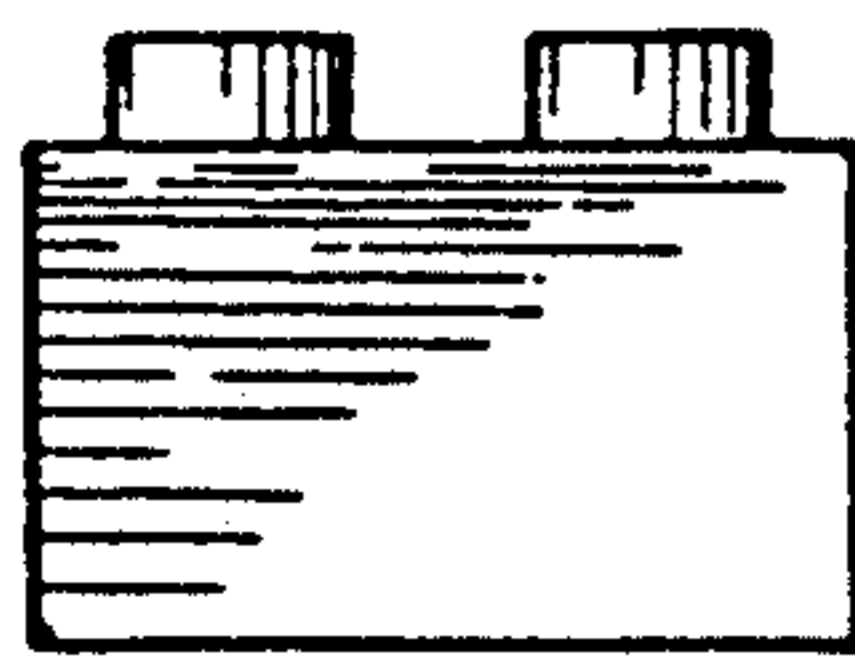


FIG.6

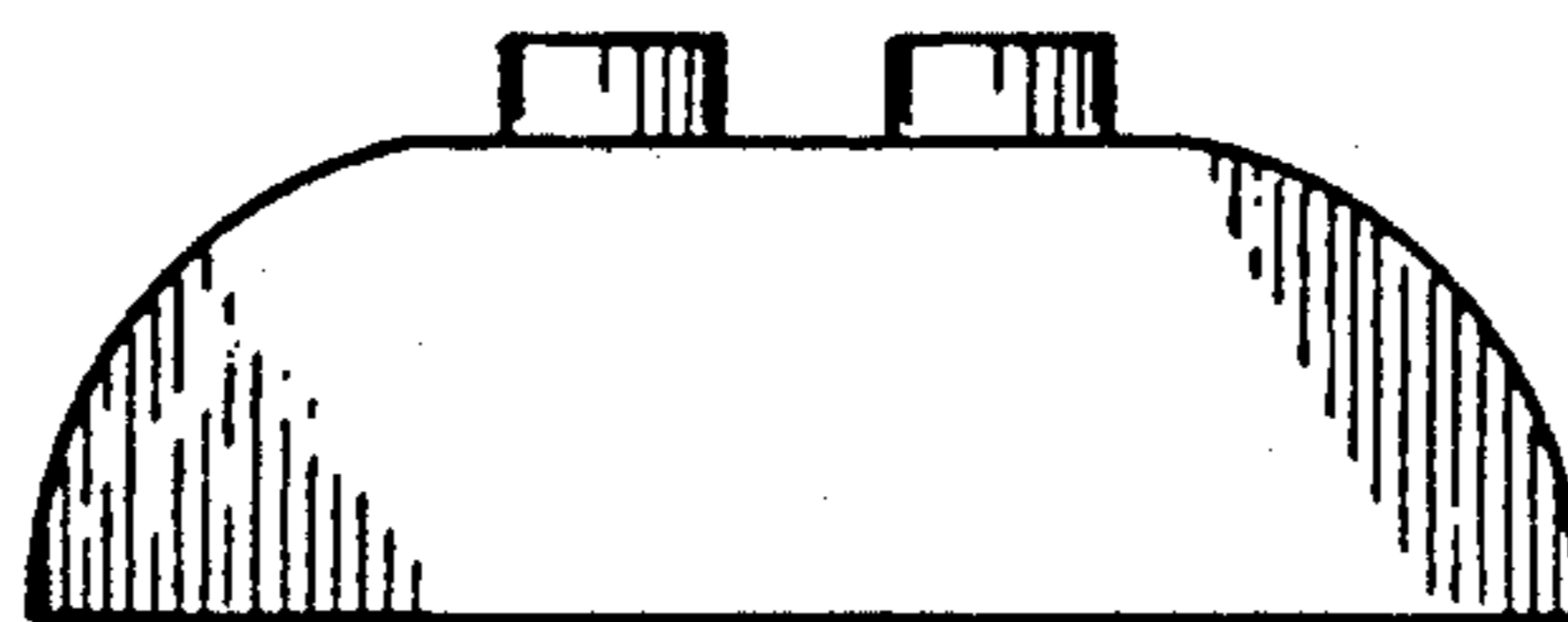


FIG.5

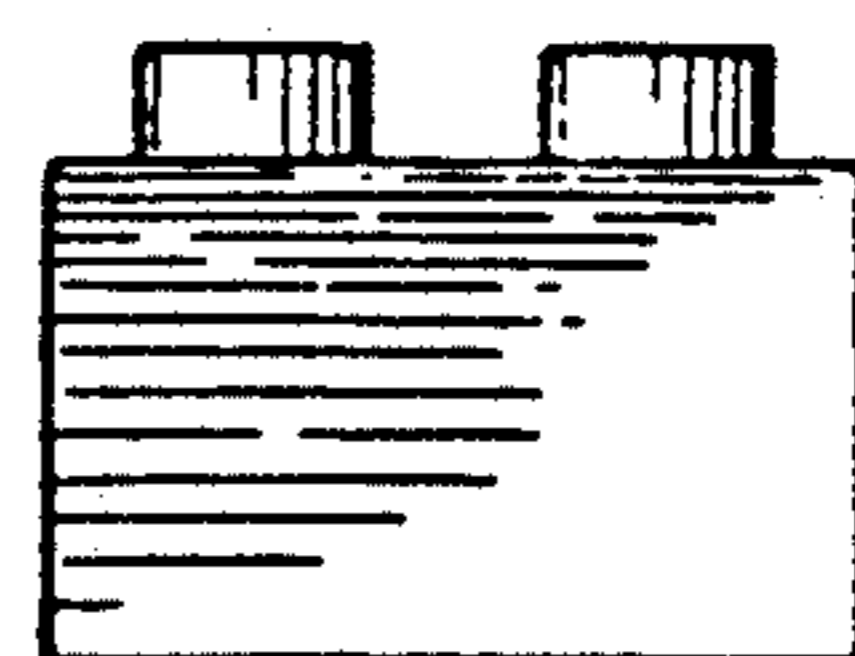


FIG.7

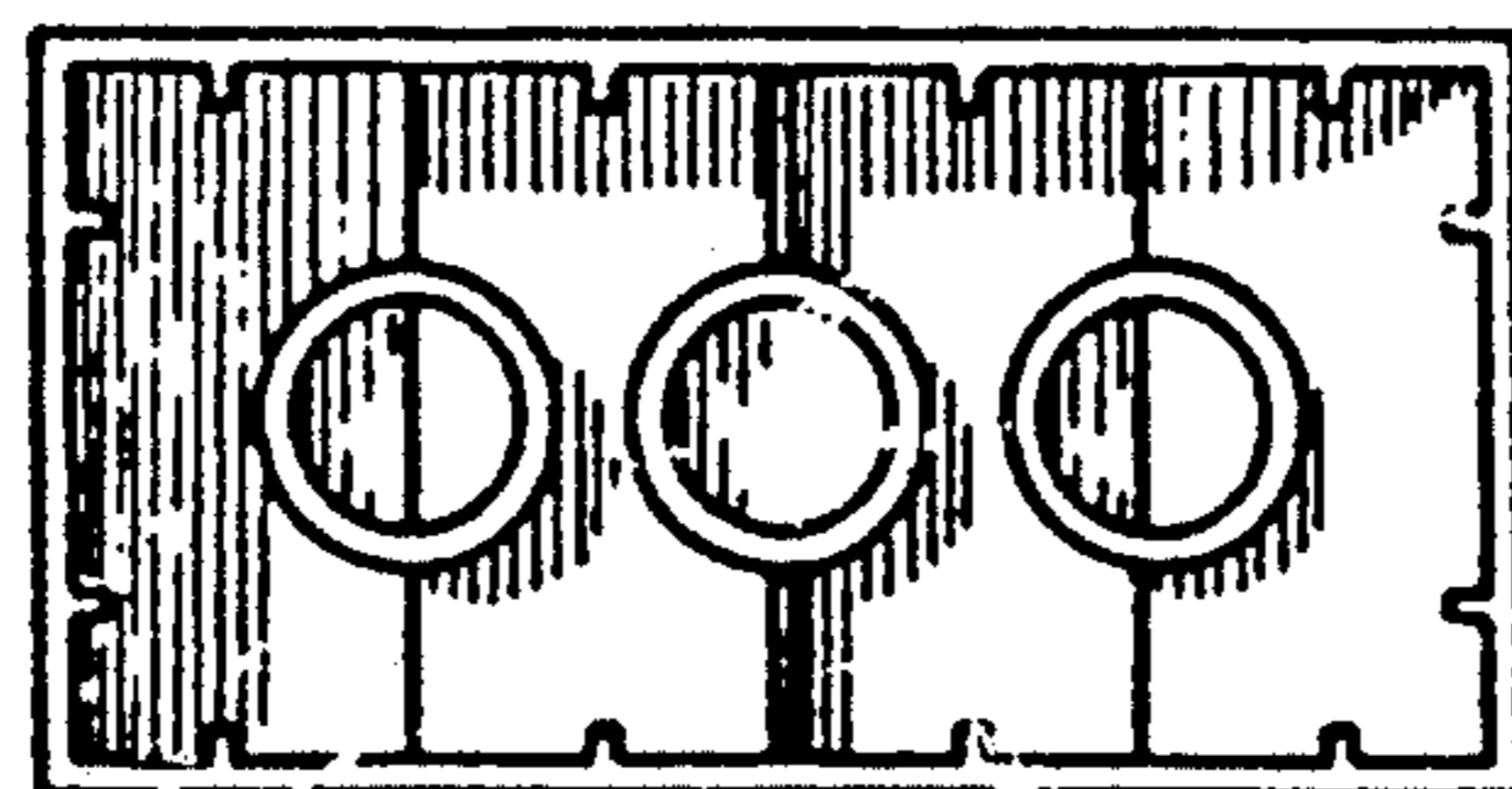


FIG.4