

[54] COMBINED BARREL SIGN AND SUPPORT MEMBER THEREFOR

[75] Inventors: Joel M. Anderson, North Oaks; Gregory G. Hollenkemp, St. Paul, both of Minn.

[73] Assignee: Ashland Oil, Inc., Ashland, Ky.

[**] Term: 14 Years

[21] Appl. No.: 581,493

[22] Filed: Mar. 18, 1990

Related U.S. Application Data

[62] Division of Ser. No. 169,732, Mar. 18, 1988, Pat. No. Des. 313,630.

[52] U.S. Cl. D20/10

[58] Field of Search D20/10, 28, 37; 40/306, 40/307, 584, 612; 52/103, 104; 350/319, 321, 557, 574, 591

[56] References Cited

U.S. PATENT DOCUMENTS

D. 313,630	1/1991	Anderson et al.	D20/10
4,430,816	2/1984	Seton et al.	40/306
4,600,102	7/1986	Avila	40/306

OTHER PUBLICATIONS

Visual Merchandising and Store Design 8/1986, p. 117, System Track, top of page.

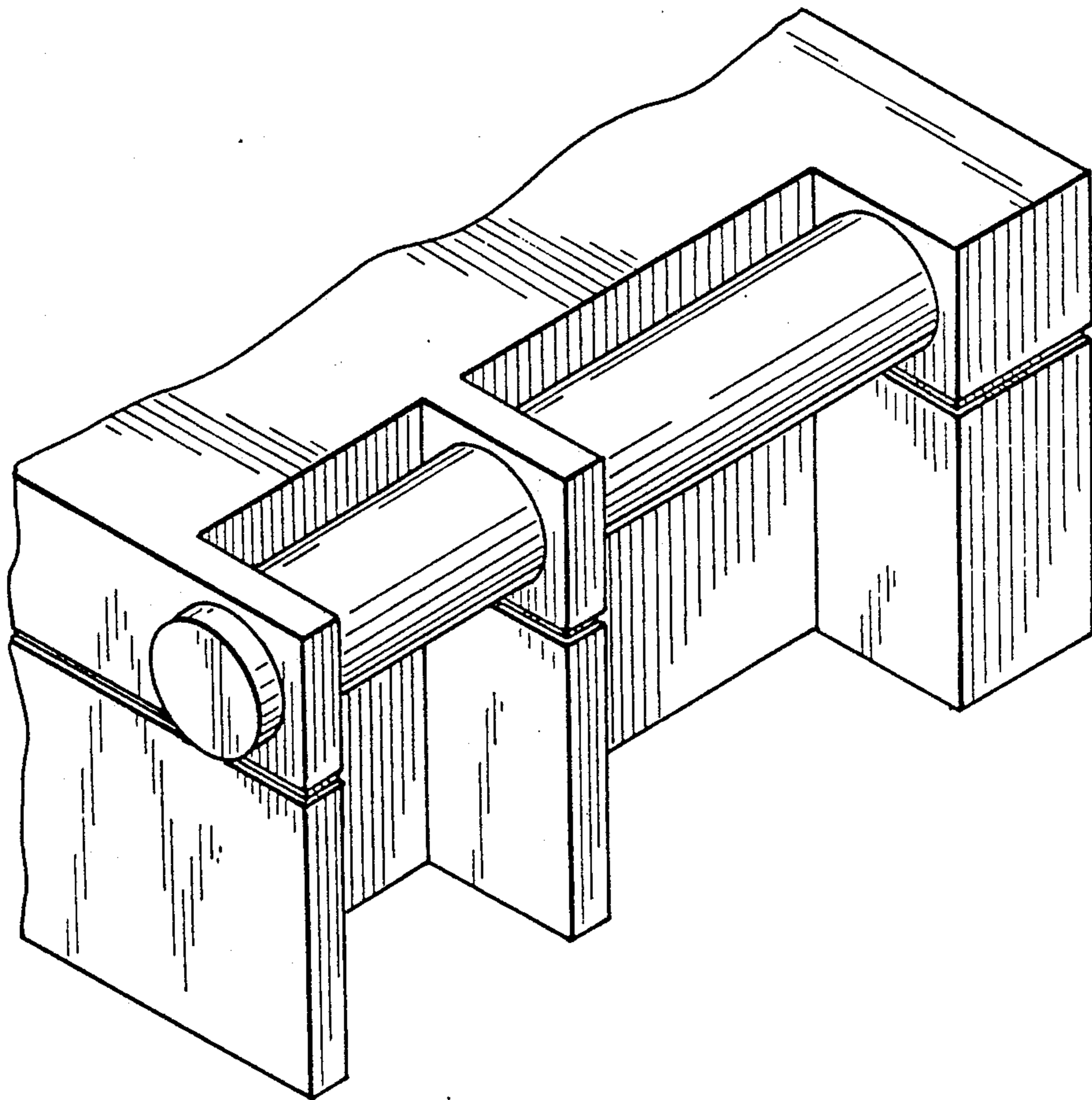
Primary Examiner—Wallace R. Burke
Assistant Examiner—Marcus Jackson
Attorney, Agent, or Firm—Richard C. Willson, Jr.; Stanley M. Welsh

[57] CLAIM

The ornamental design for combined barrel sign and support member therefor, as shown and described.

DESCRIPTION

FIG. 1 is a front perspective view of a combined barrel sign and support member therefor showing our new design, with the broken away portion shown to indicate indeterminate length;
FIG. 2 is a front elevational view thereof;
FIG. 3 is a top plan view thereof.



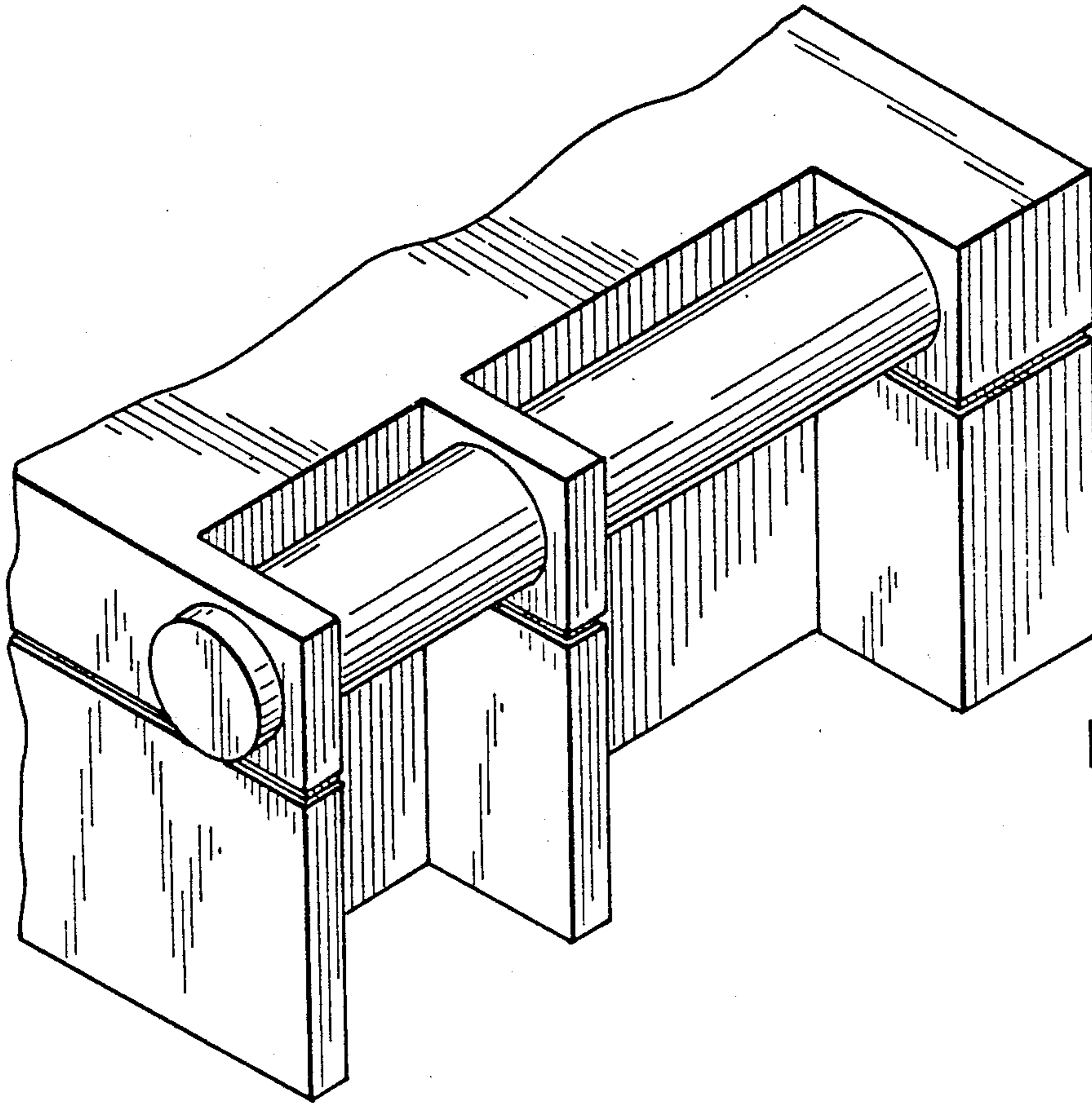


Fig. 1

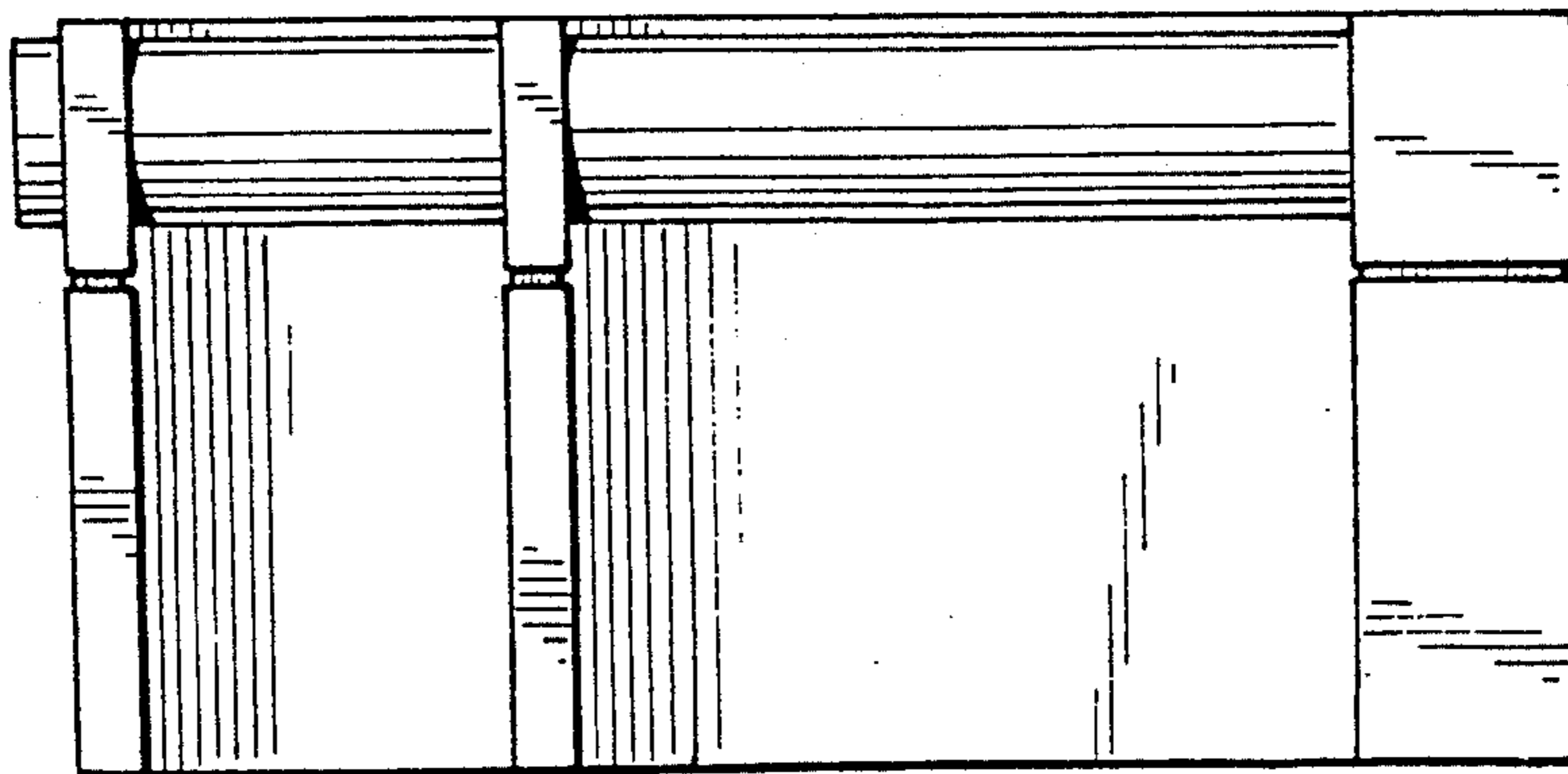


Fig. 2

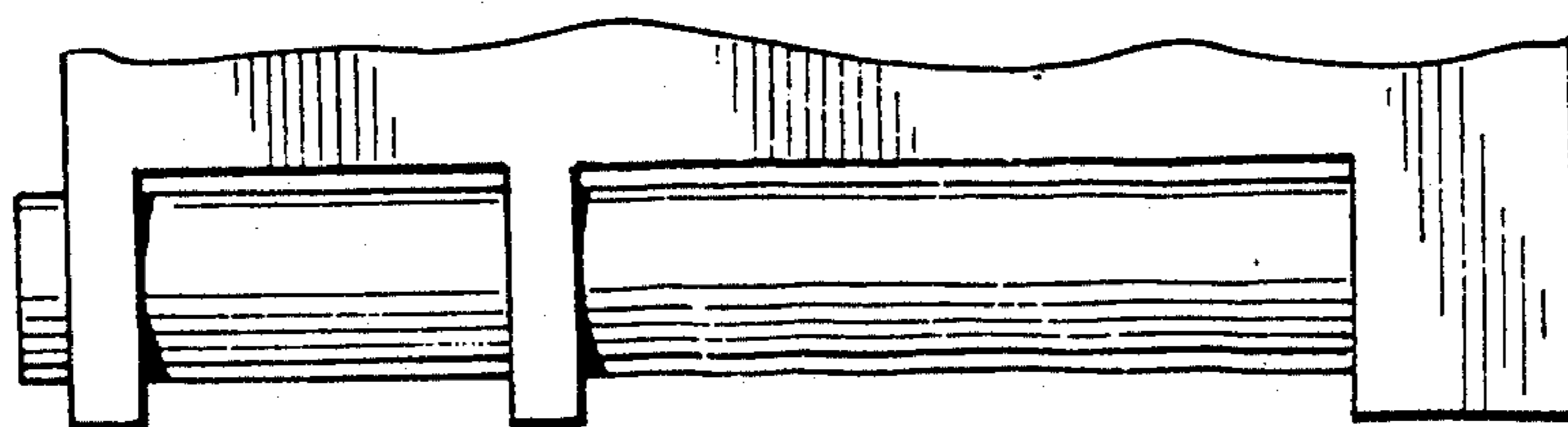


Fig. 3