

[54] COMBINED TELEPHONE LIST FINDER, WRITING INSTRUMENT AND NOTE PAD HOLDER

[75] Inventors: Barry Brinker; John E. Busse, both of Cincinnati, Ohio

[73] Assignee: 'totes', incorporated, Loveland, Ohio

[\*\*] Term: 14 Years

[21] Appl. No.: 280,734

[22] Filed: Dec. 6, 1988

[52] U.S. Cl. .... D19/76; D19/78; D19/83; D19/86; D19/92

[58] Field of Search ..... D19/65, 75, 76, 78, D19/83, 86, 91, 92, 99, 100; 206/215, 829; 224/311, 212; 40/371-381, 388; 204/299 R

[56] References Cited

U.S. PATENT DOCUMENTS

- D. 184,610 3/1959 Doman ..... D19/78 X
- D. 191,935 12/1961 Kamp ..... D19/76
- D. 213,301 2/1969 Macowski ..... D19/76
- D. 234,511 3/1975 Mori ..... D19/78
- D. 243,604 3/1977 Evenson ..... D19/76

- D. 245,171 7/1977 Evenson ..... D19/76
- D. 258,670 3/1981 Grunstad ..... D19/76
- 1,739,801 12/1929 Pitts ..... 206/829 X
- 2,211,879 8/1940 Cave ..... 224/312 X
- 2,803,902 8/1957 Shedd ..... 224/312 X
- 3,964,192 6/1976 Nonaka ..... 204/299 R

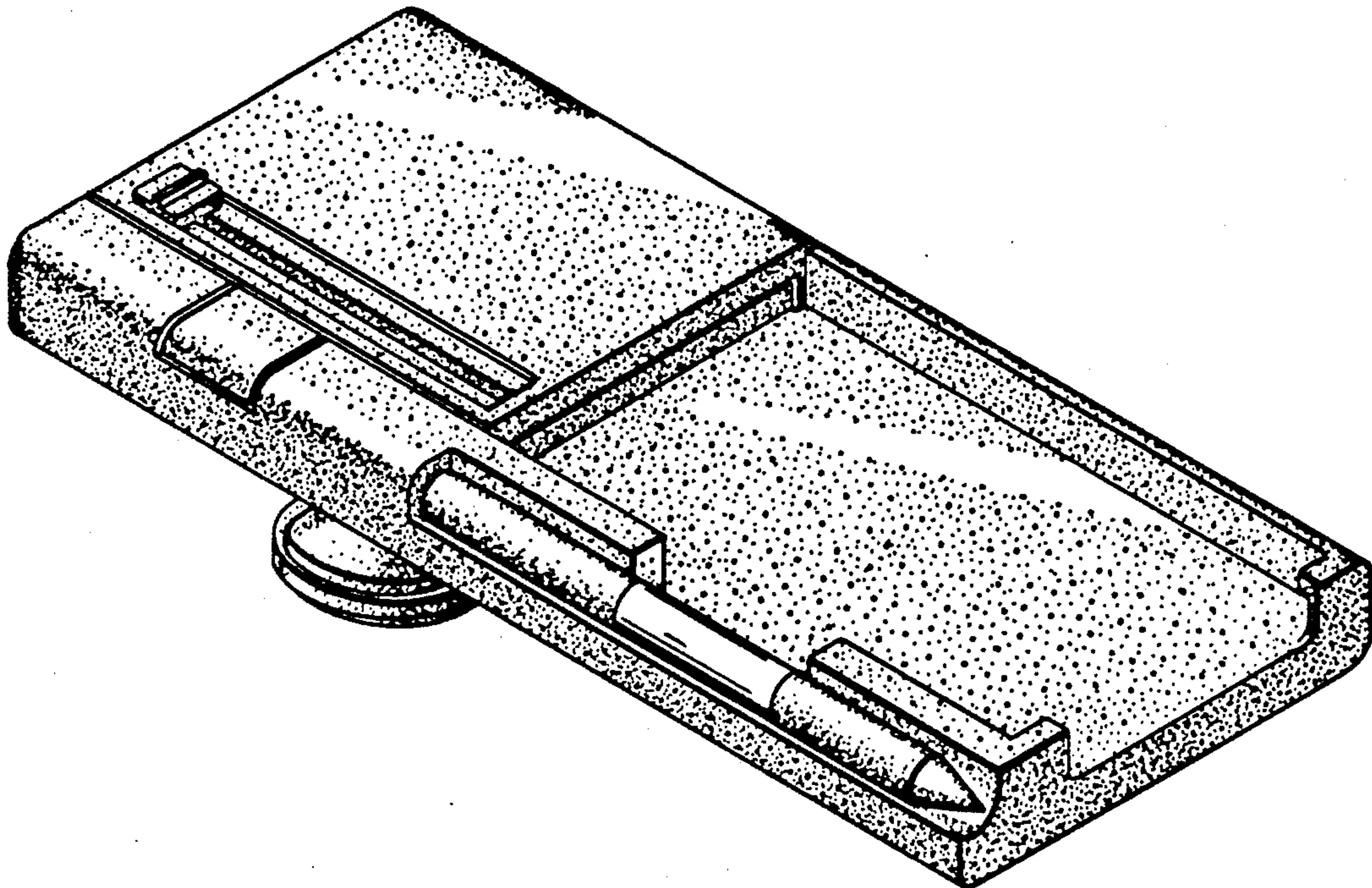
Primary Examiner—Bruce W. Dunkins  
Assistant Examiner—Martha Thompson  
Attorney, Agent, or Firm—Wood, Herron & Evans

[57] CLAIM

The ornamental design for a combined telephone list finder, writing instrument and note pad holder, as shown and described.

DESCRIPTION

FIG. 1 is a top front perspective view of a combined telephone list finder, writing instrument and note pad holder showing our new design; FIG. 2 is a top plan view; FIG. 3 is a front elevational view; FIG. 4 is a rear elevational view; FIG. 5 is a right end elevational view; FIG. 6 is a left end elevational view; and FIG. 7 is a bottom plan view thereof.





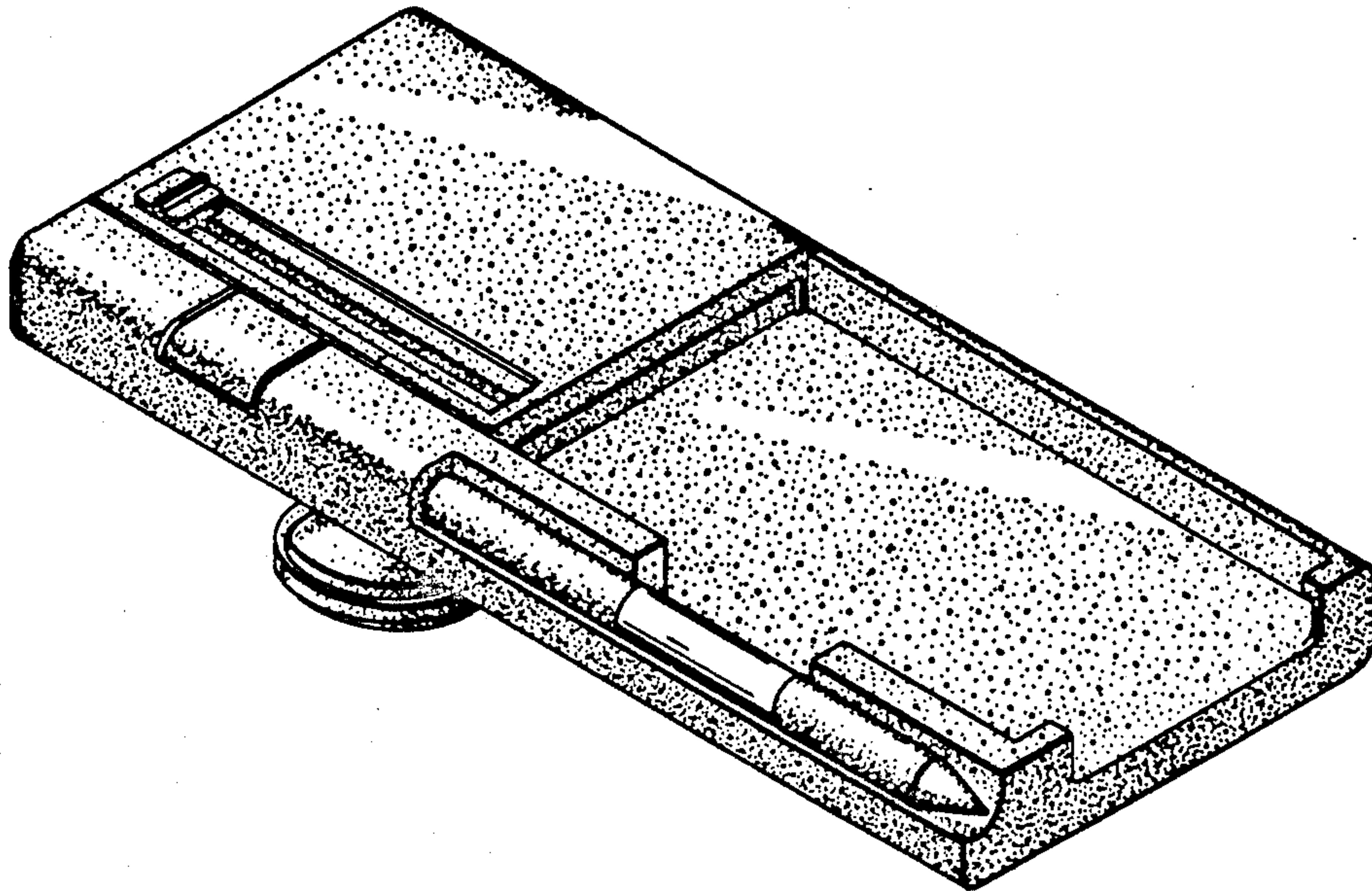


FIG. 1

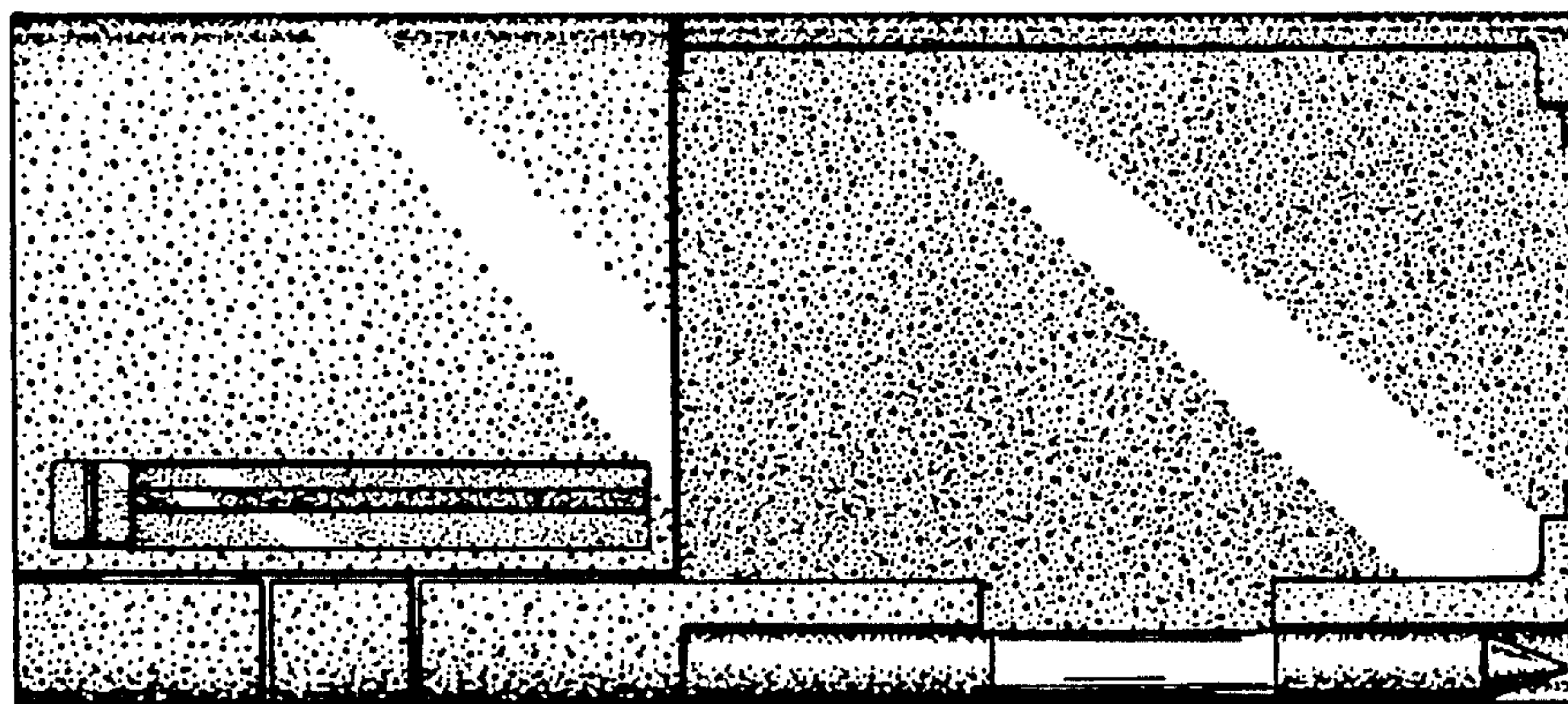


FIG. 2

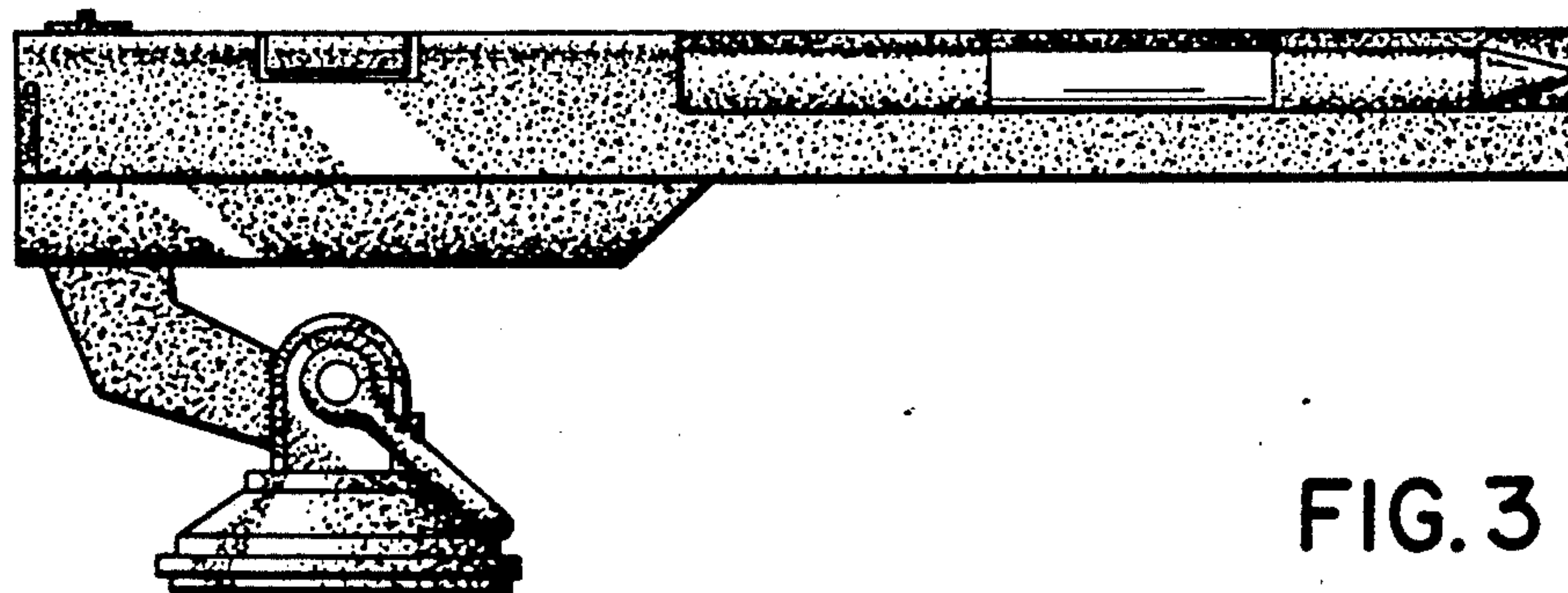


FIG. 3



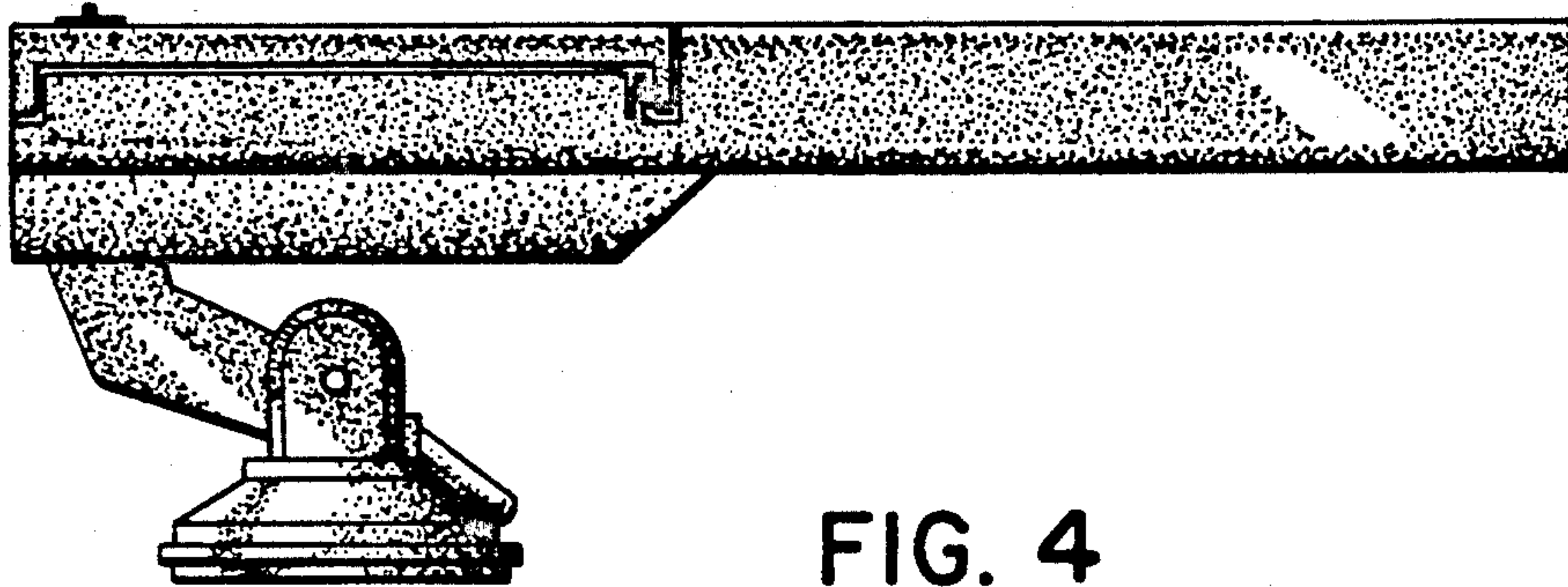


FIG. 4

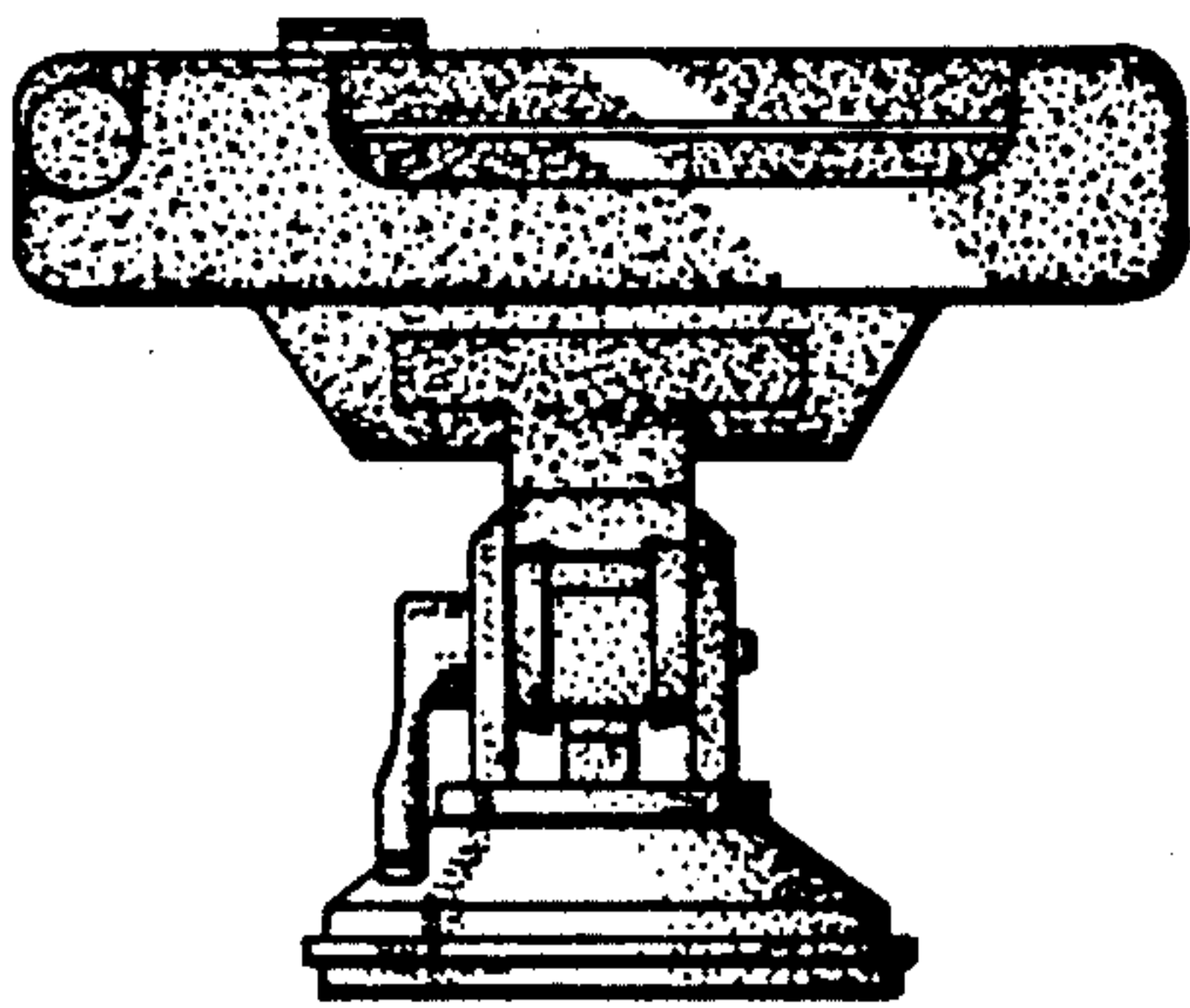


FIG. 5

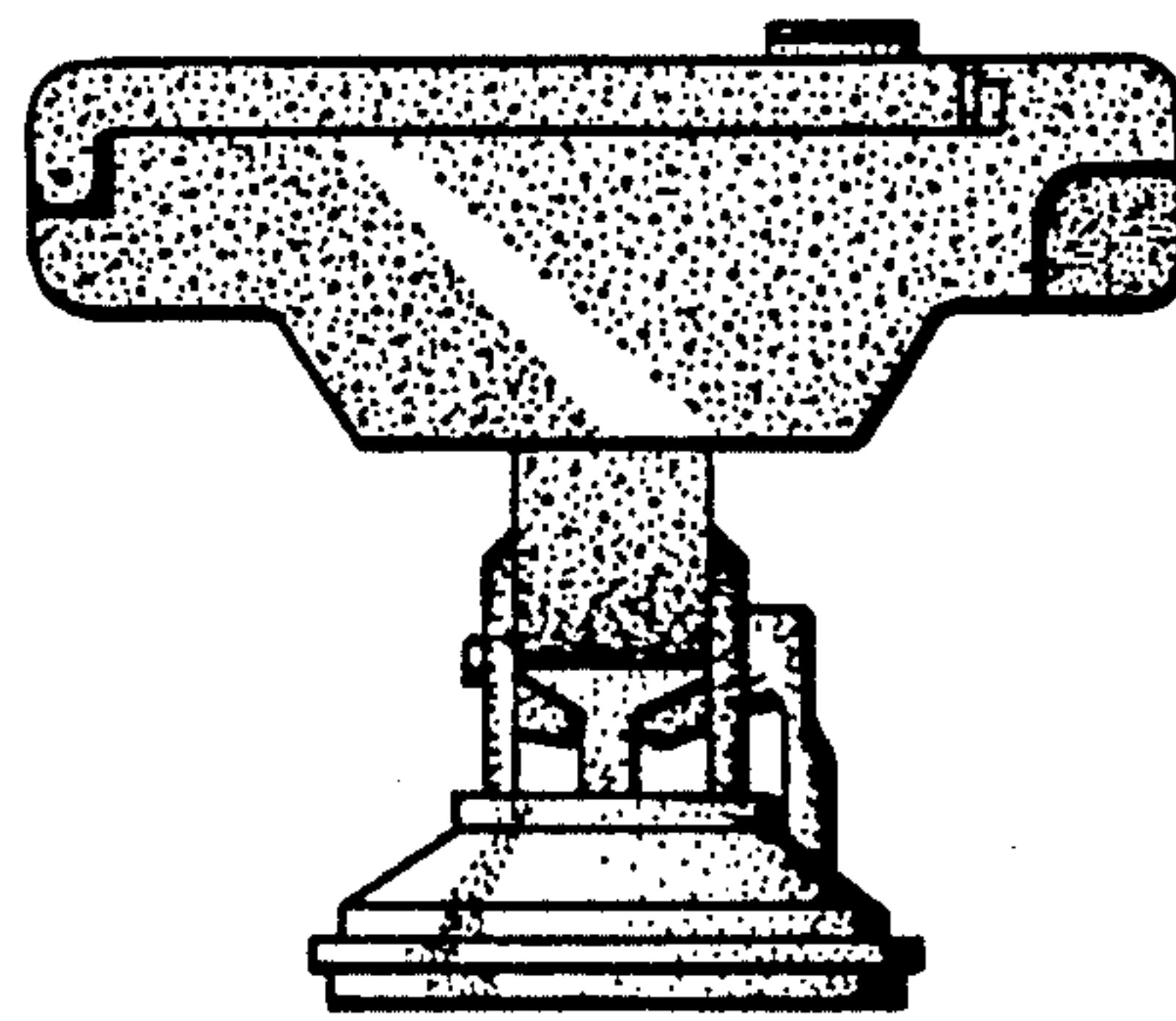


FIG. 6

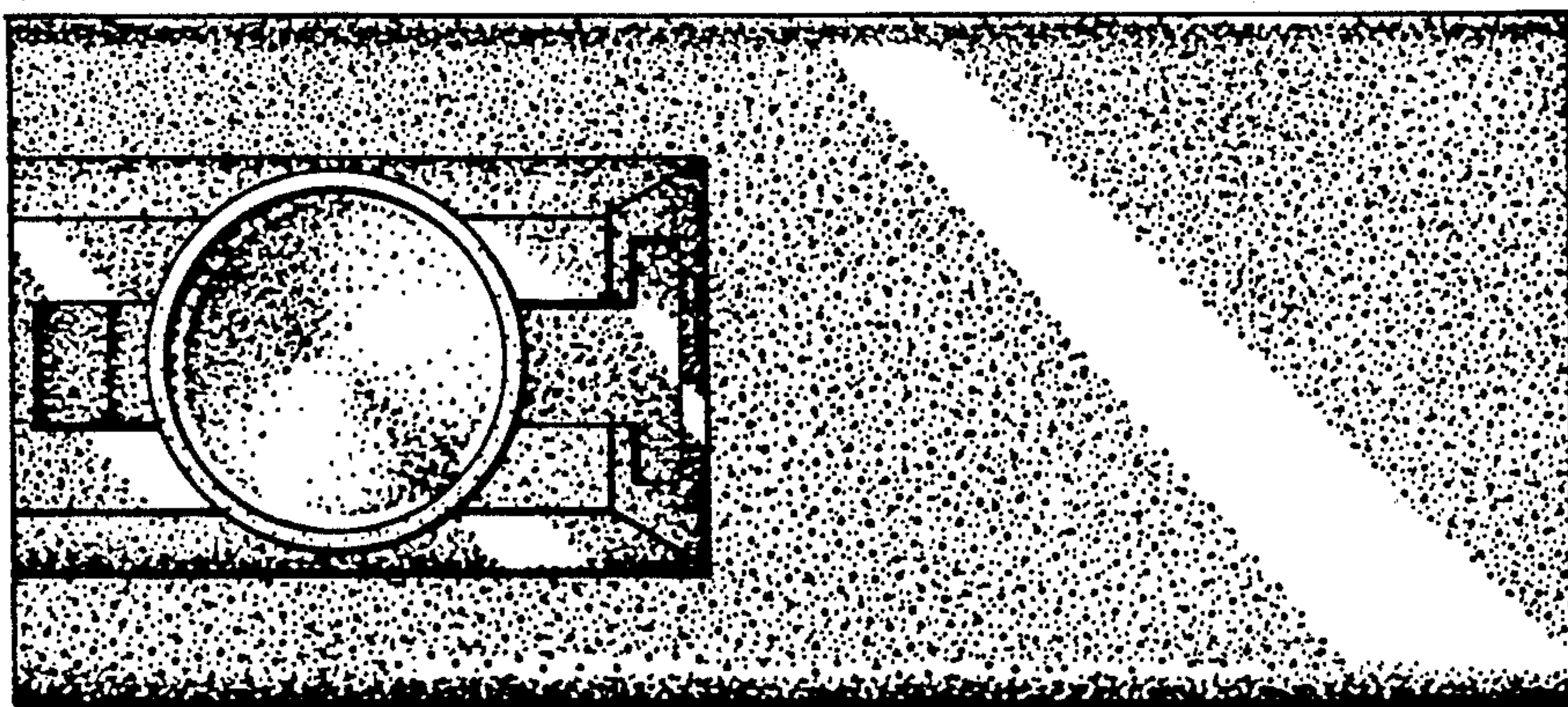


FIG. 7