

[54] COMBINED PLURAL CRAYON UNIT AND STORAGE HOUSING THEREFOR

[76] Inventor: Genius Lee, No. 25, Lane 380, Sec. 2, Chung-Shan Road, Chung-Ho, Tapei Hsien, Taiwan

[**] Term: 14 Years

[21] Appl. No.: 284,431

[22] Filed: Dec. 14, 1988

[52] U.S. Cl. D19/36; D19/43; D19/49; D19/57

[58] Field of Search D19/35, 36, 41-51, D19/54-58, 81-85; 401/16, 17, 18, 34, 35

[56] References Cited

U.S. PATENT DOCUMENTS

80,378	7/1868	Wright	401/34
D. 146,025	12/1946	Harris	D19/49 X
D. 185,150	5/1959	Hulbert	D19/51 X
D. 209,993	1/1968	Horie	D19/43
2,870,740	1/1959	Vogt	401/34
3,765,780	10/1973	Guu et al.	401/34 X
4,532,529	7/1985	Fushimoto	401/35 X

FOREIGN PATENT DOCUMENTS

825874	11/1951	Fed. Rep. of Germany	401/34
571080	12/1957	Italy	401/34

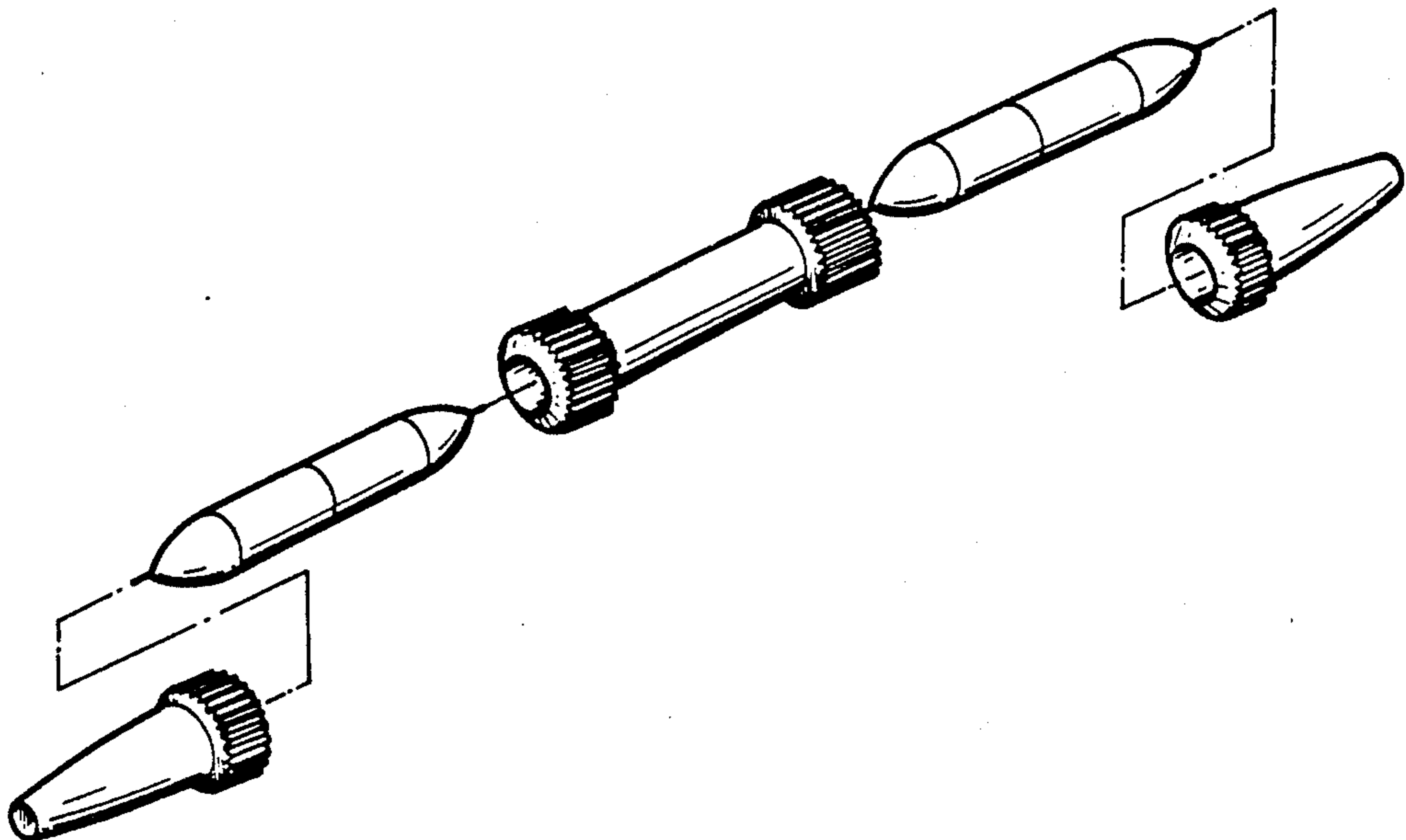
Primary Examiner—Bruce W. Dunkins
Assistant Examiner—Martha Thompson
Attorney, Agent, or Firm—Lowe, Price, LeBlanc & Becker

[57] CLAIM

The ornamental design for combined plural crayon unit and storage housing therefor, as shown and described.

DESCRIPTION

FIG. 1 is a perspective view of a combined plural crayon unit and storage housing therefor showing my new design;
FIG. 2 is a right side elevational view thereof;
FIG. 3 is a left side elevational view thereof;
FIG. 4 is a front elevational view thereof;
FIG. 5 is a rear elevational view thereof;
FIG. 6 is an end elevational view thereof;
FIG. 7 is an end elevational view of the end opposite that shown in FIG. 6; and
FIG. 8 is a perspective view thereof in an exploded condition.



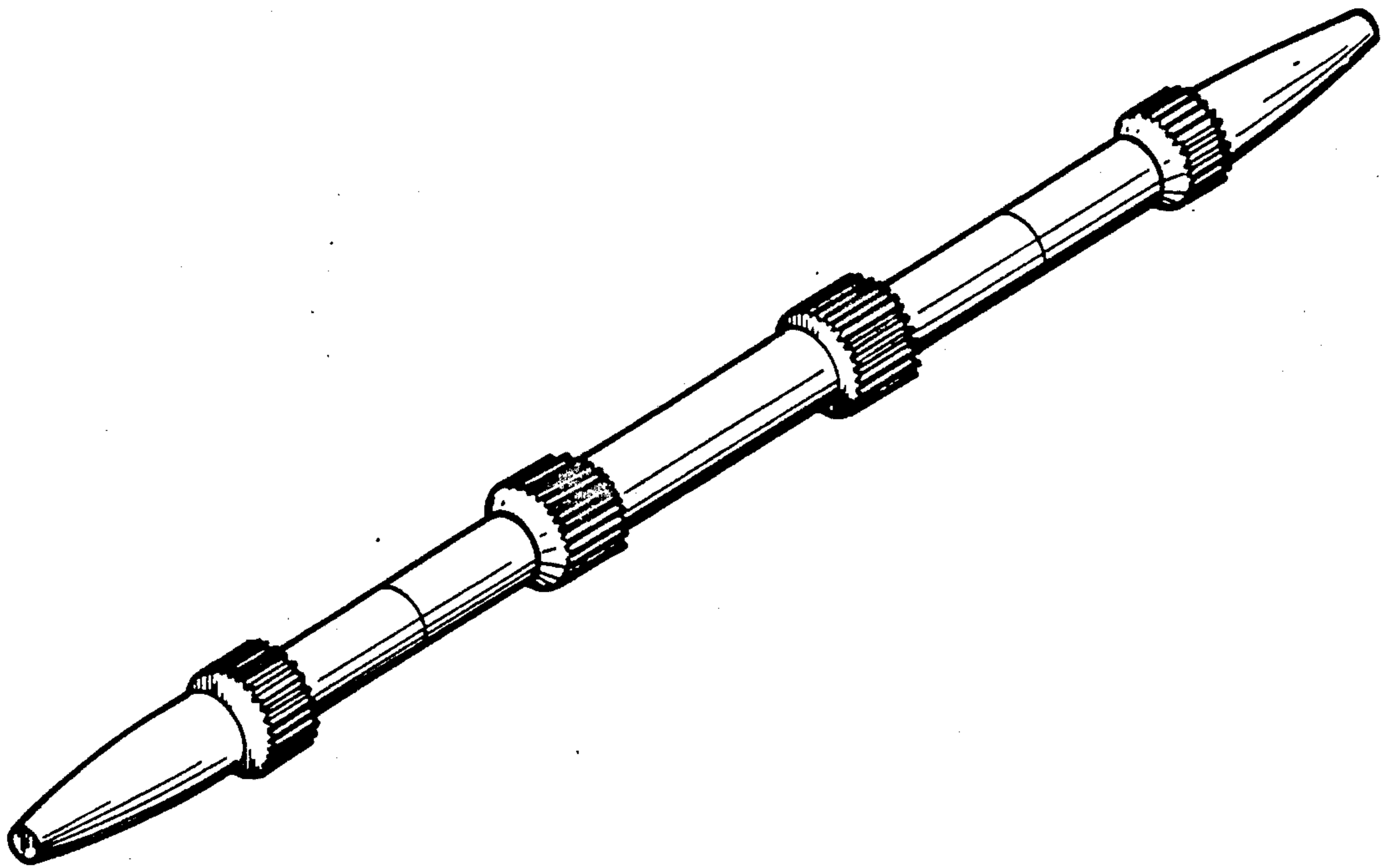


FIG .1

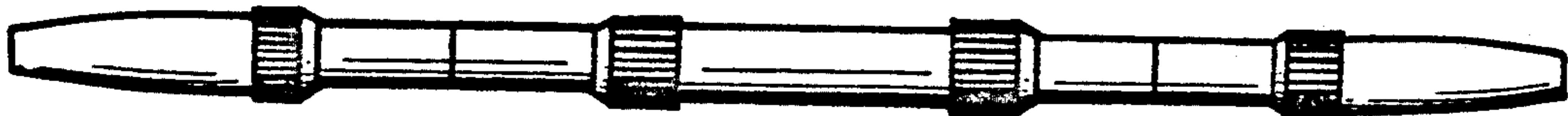


FIG. 2

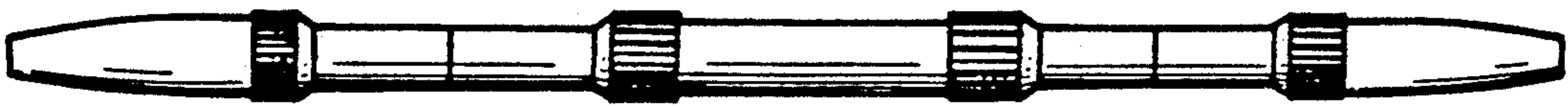


FIG. 3

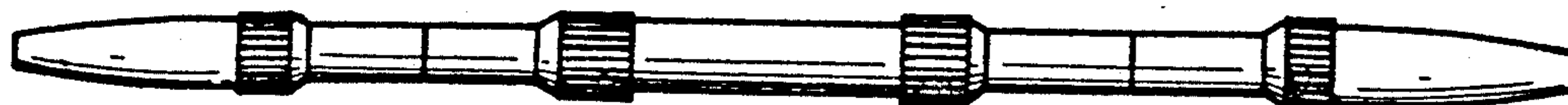


FIG. 4

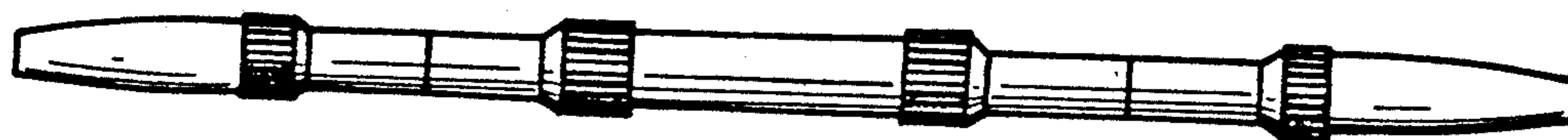


FIG. 5

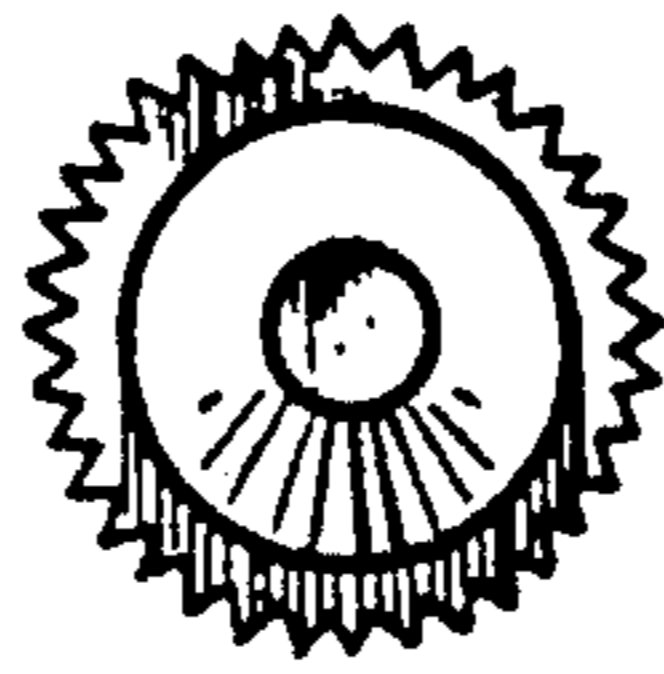


FIG. 6

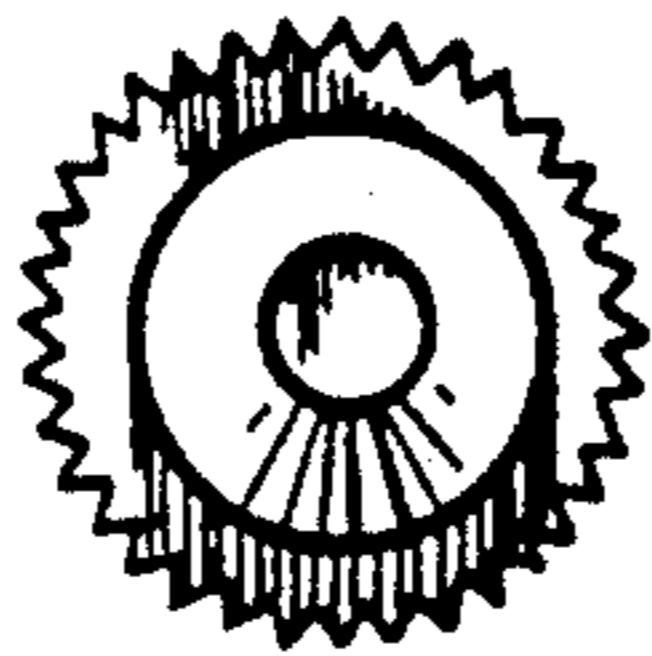


FIG. 7

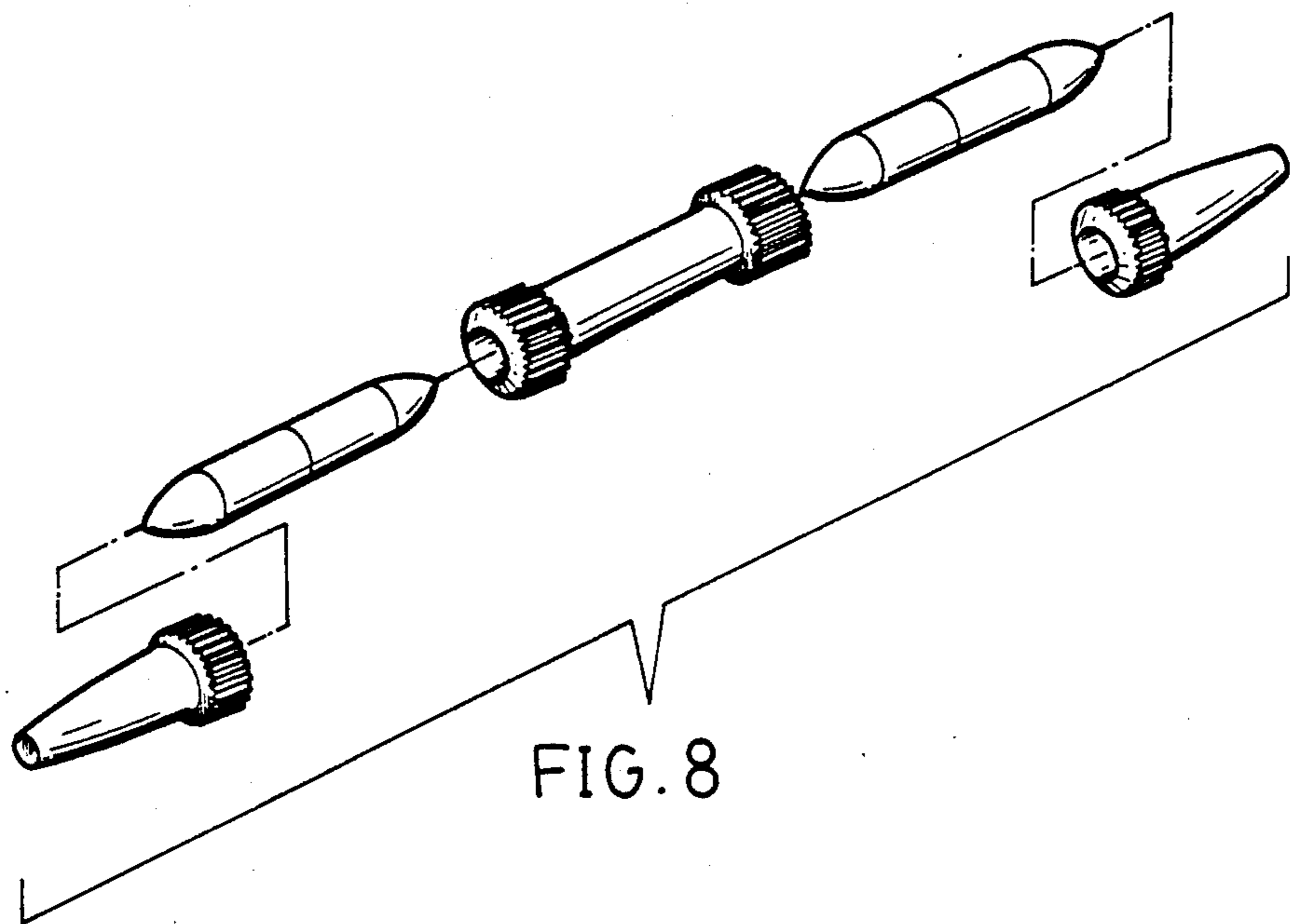


FIG. 8