

# United States Patent [19]

Beno et al.

[11] Patent Number: **Des. 319,255**

[45] Date of Patent: **\*\* Aug. 20, 1991**

[54] PAPER TRIMMER

[75] Inventors: Steven J. Beno, Arlington Heights;  
Joseph R. Mango, Midlothian, both  
of Ill.

[73] Assignée: Ideal School Supply Corporation,  
Waukegan, Ill.

[\*\*] Term: 14 Years

[21] Appl. No.: 327,156

[22] Filed: Mar. 22, 1989

[52] U.S. Cl. .... D18/34; D19/75

[58] Field of Search ..... D18/34, 99; 83/564,  
83/167, 468, 585, 607, 609, 635, 636, 614, 455,  
456, 462, 465, 468.2, 468.5, 468.6, 468.7; 225/1;  
D19/65, 75

[56] References Cited

## U.S. PATENT DOCUMENTS

D. 228,825 10/1973 Pottern ..... D18/34

541,503	6/1895	Razoux .....	83/607
2,256,606	9/1941	Blanc .....	83/585
2,345,450	3/1944	Blanc .....	83/607
3,089,373	5/1963	Fischer et al. ....	83/585
4,010,063	3/1977	Natter .....	83/607

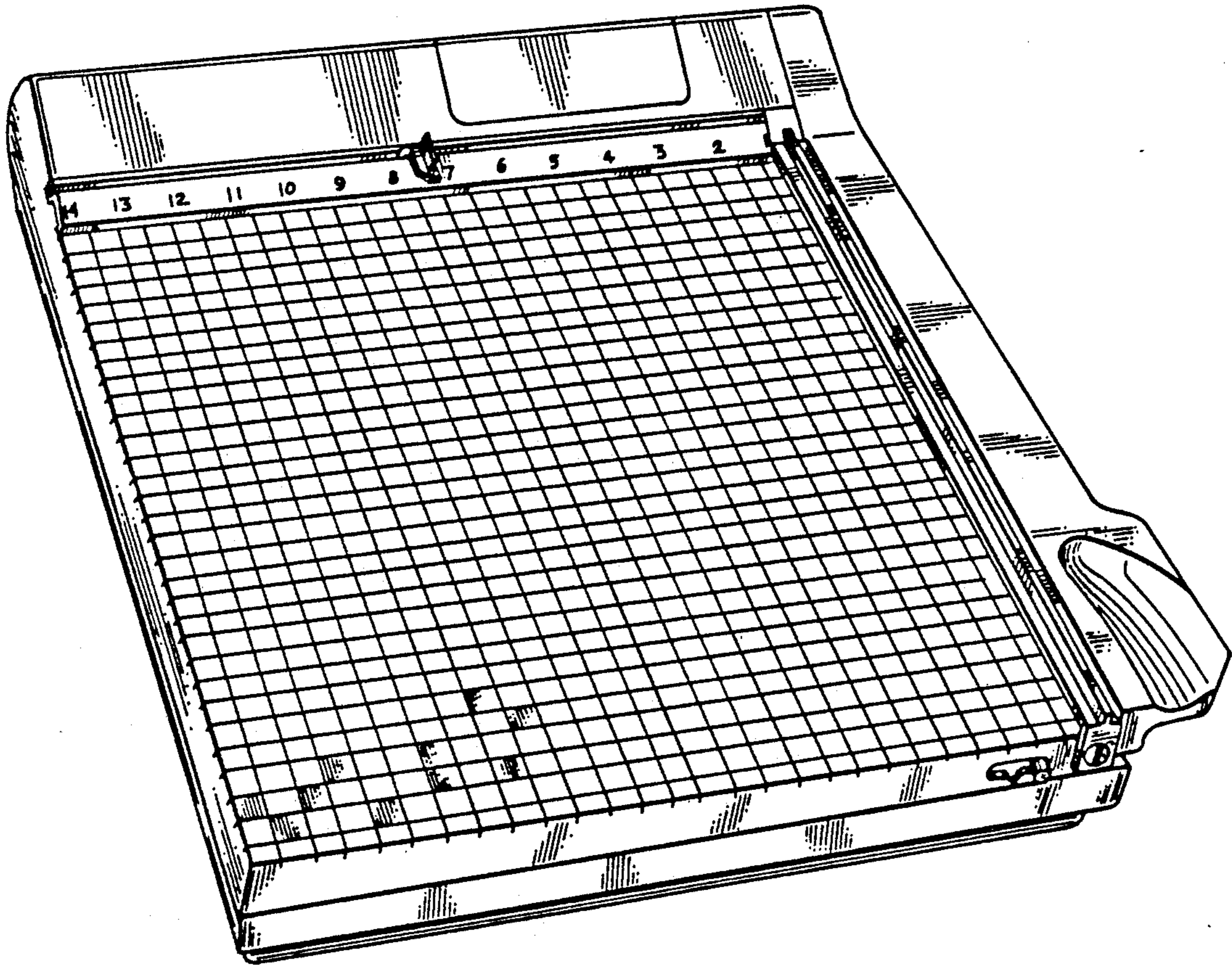
Primary Examiner—A. Hugo Word  
Assistant Examiner—CathyAnne MacCormac  
Attorney, Agent, or Firm—Wood, Phillips, Mason,  
Recktenwald & VanSanten

## [57] CLAIM

The ornamental design for paper trimmer, as shown.

## DESCRIPTION

FIG. 1 is a perspective view of a paper trimmer showing our new design;  
FIG. 2 is a left side elevational thereof;  
FIG. 3 is a right side elevational thereof;  
FIG. 4 is a rear elevational thereof;  
FIG. 5 is a top plan view thereof; and  
FIG. 6 is a front elevational thereof.



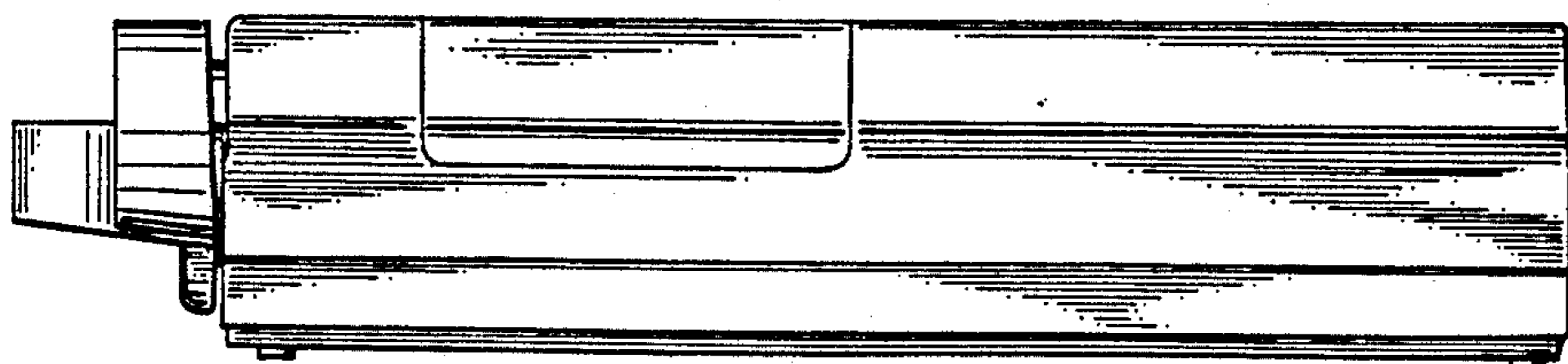
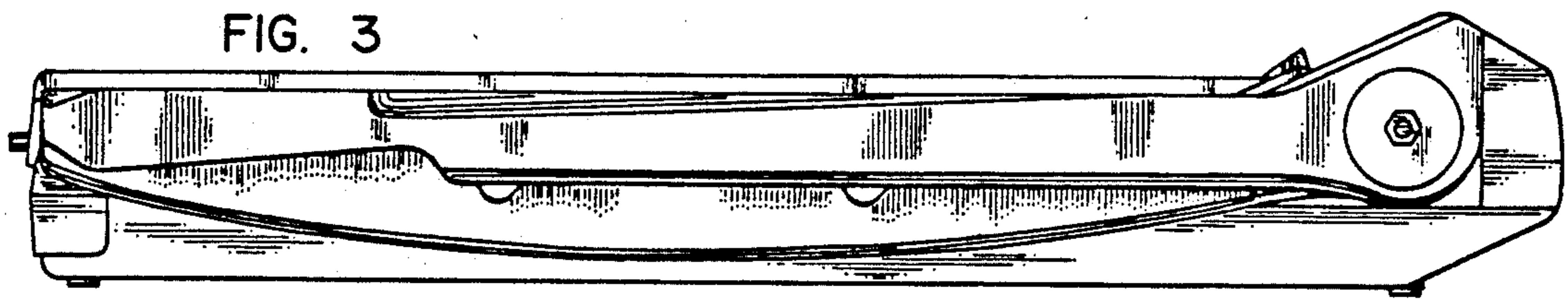
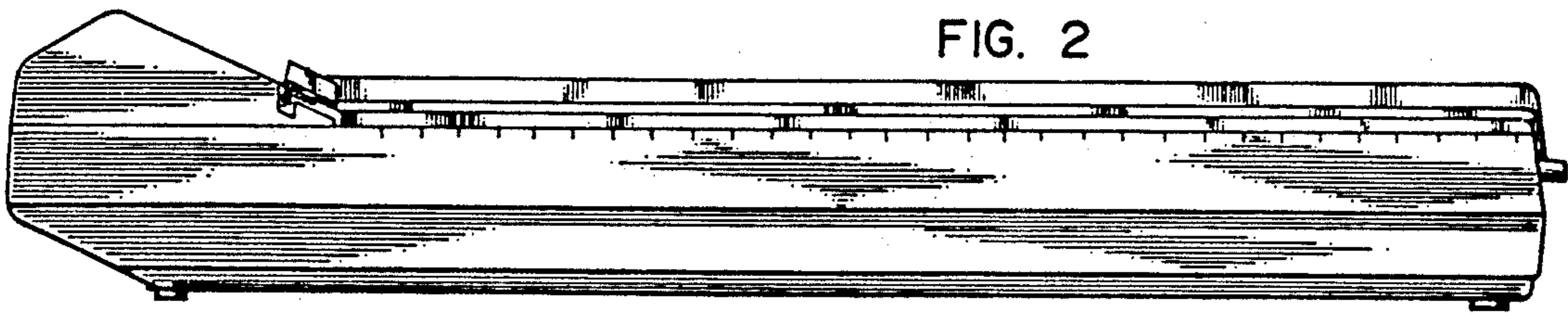
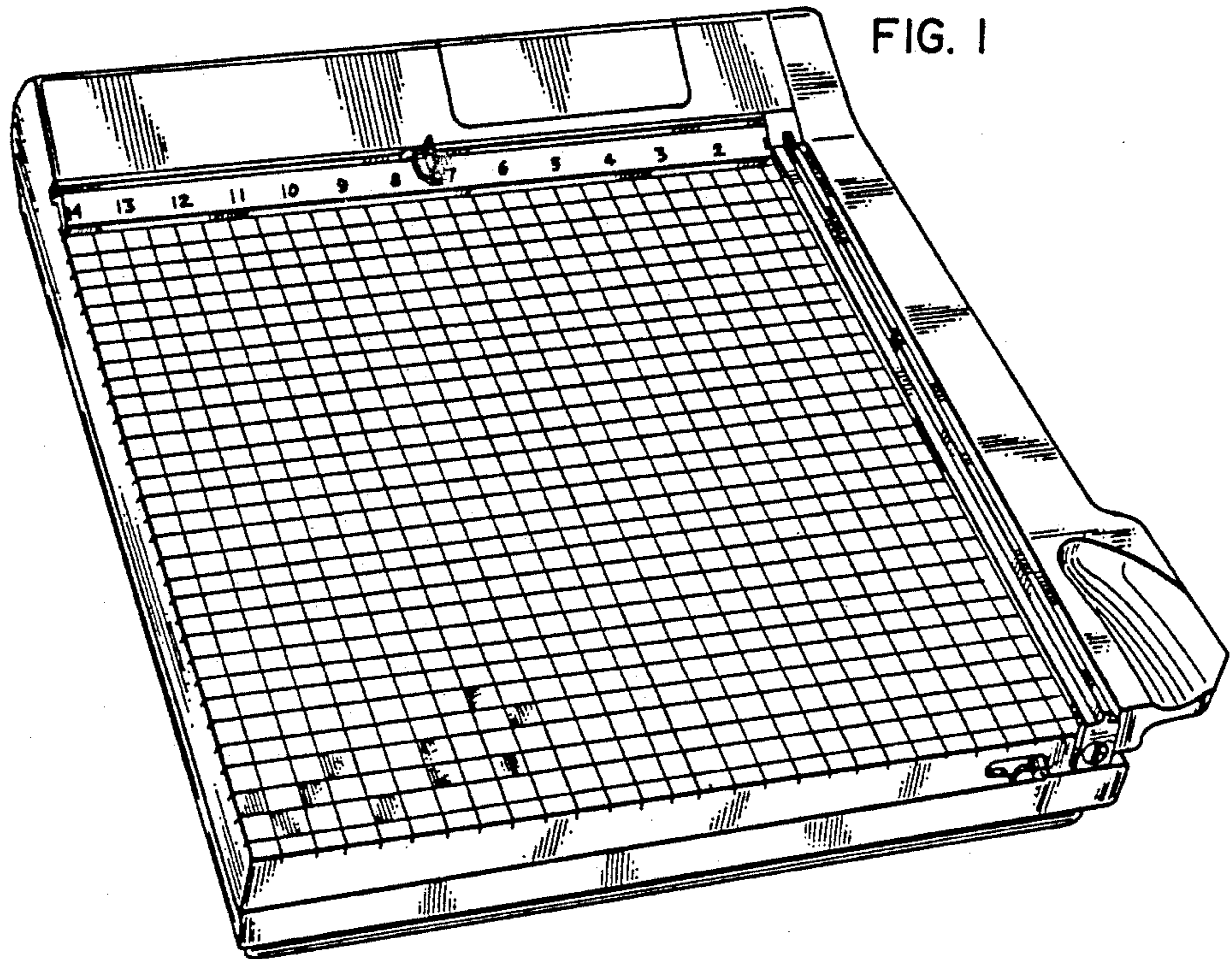


FIG. 5

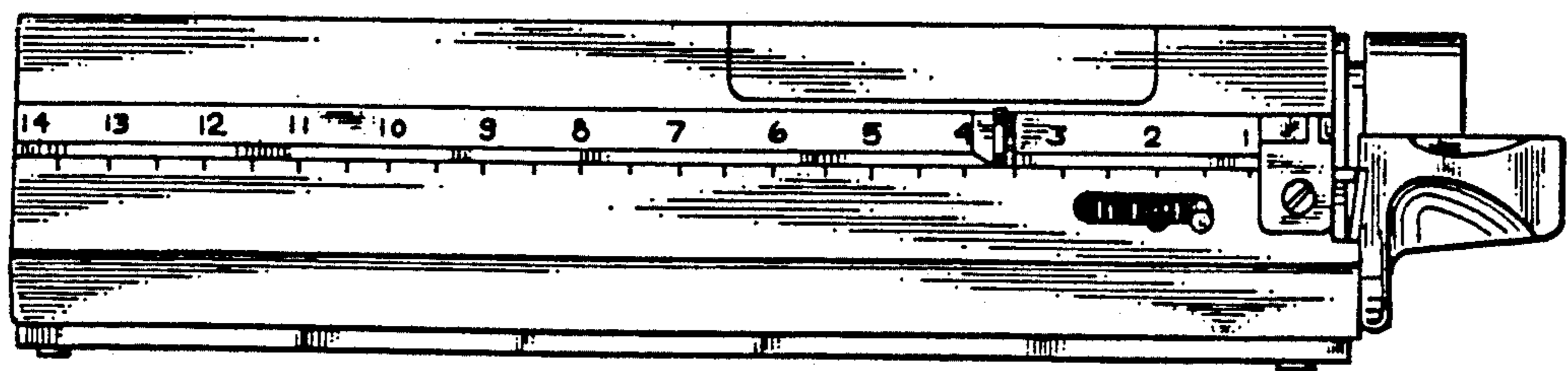
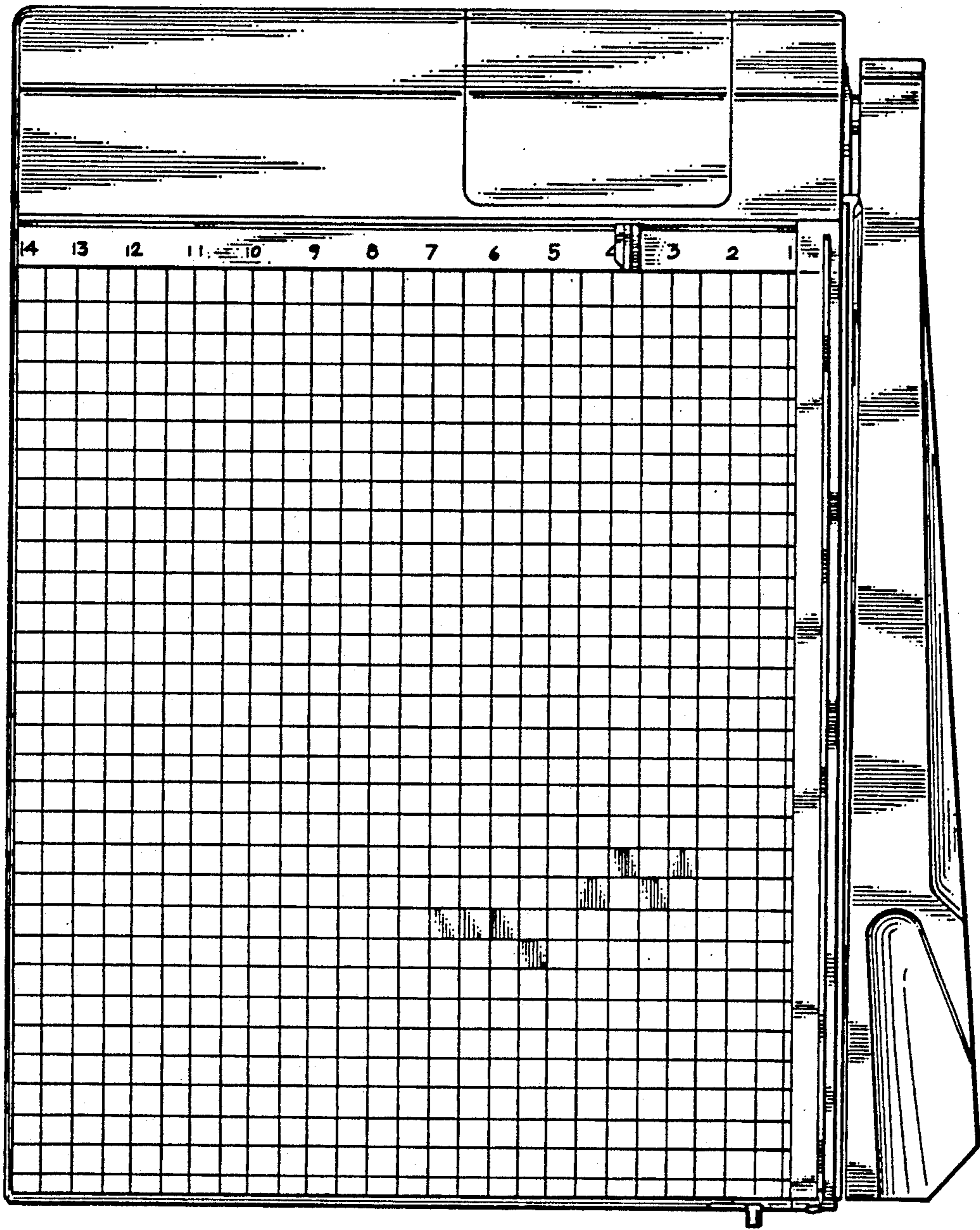


FIG. 6