

[54] MUSICAL TUNING METER

4,899,636 2/1990 Chiba et al. .... 84/454

[75] Inventor: Kanji Iinuma, Tokyo, Japan

OTHER PUBLICATIONS

[73] Assignee: Kabushiki Kaisha Zen-On Gakufu  
Shuppansha, Tokyo, Japan

Music Trades, Sep. 1988, p. 87.

[\*\*] Term: 14 Years

Primary Examiner—Bernard Ansher  
Assistant Examiner—Adir Aronovich  
Attorney, Agent, or Firm—Kanesaka and Takeuchi

[21] Appl. No.: 305,240

[57] CLAIM

[22] Filed: Feb. 1, 1989

The ornamental design for a musical tuning meter, as shown.

[52] U.S. Cl. .... D17/99; D10/46

[58] Field of Search ..... D10/46, 75, 78, 96;  
D17/99, 22, 20; 84/454; 73/866.3; 324/156

DESCRIPTION

[56] References Cited

U.S. PATENT DOCUMENTS

D. 206,264	11/1966	Waligorsky	.....	D10/75
D. 241,042	8/1976	Kupiec et al.	.....	D10/46
D. 244,482	5/1977	Ishida	.....	D17/99
D. 278,041	3/1985	Clarke	.....	D10/46
4,484,506	11/1984	Sato	.....	84/454

FIG. 1 is a top, front perspective view of a musical tuning meter showing my new design;  
FIG. 2 is a top plan view thereof;  
FIG. 3 is a bottom plan view thereof;  
FIG. 4 is a front elevational view thereof;  
FIG. 5 is a rear elevational view thereof.  
FIG. 6 is a left side elevational view thereof, and  
FIG. 7 is a right side elevational view thereof.

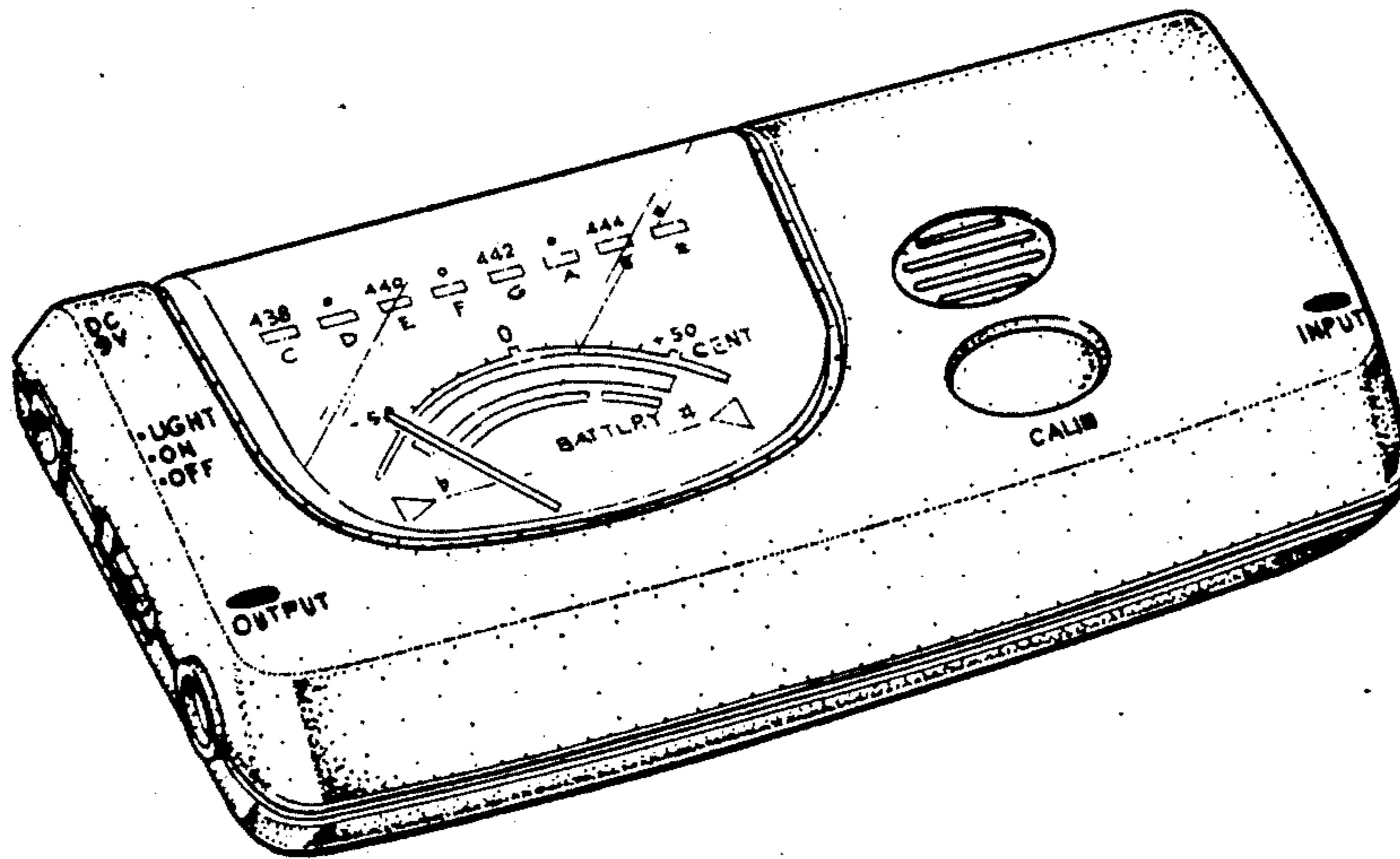


FIG. 1

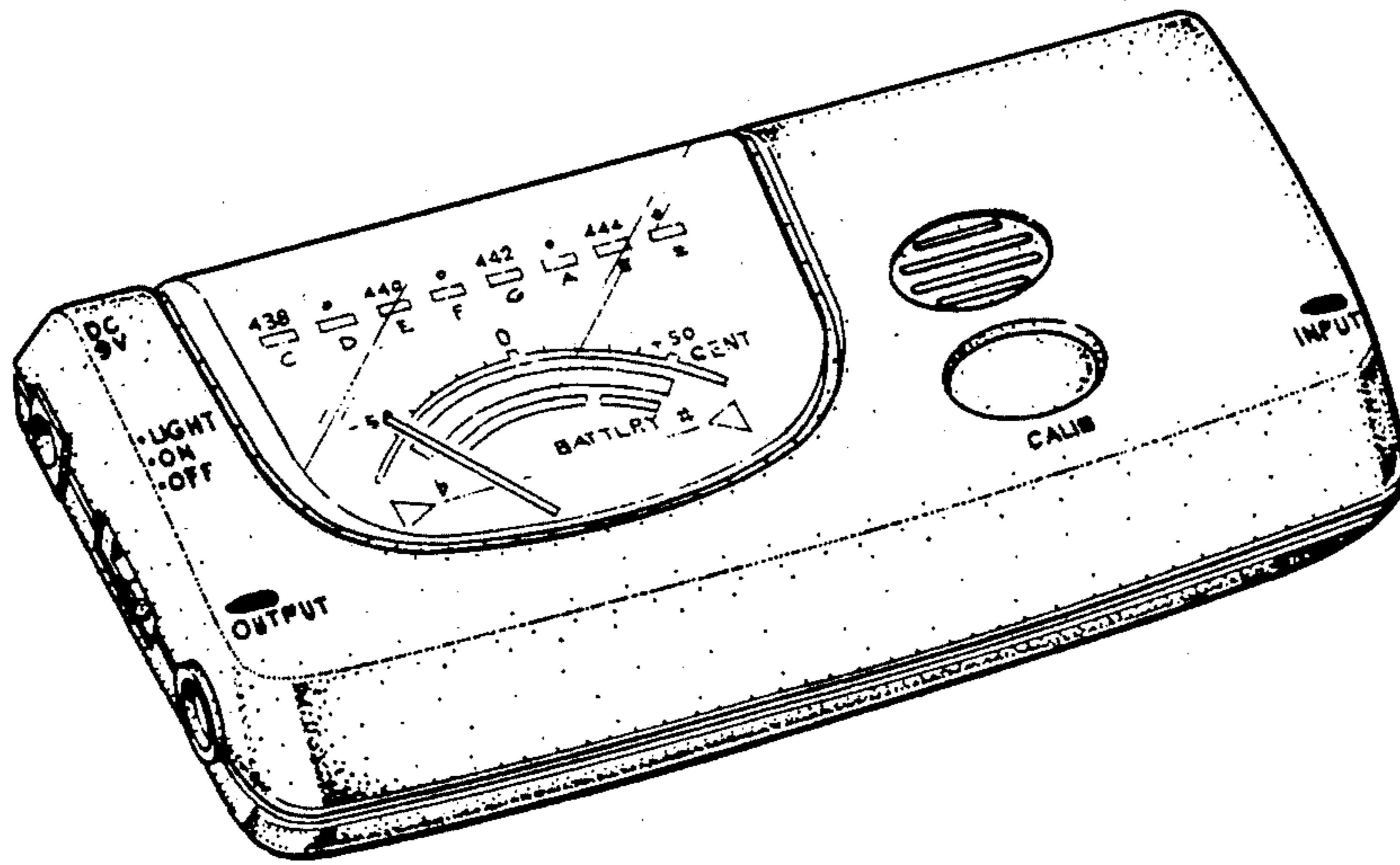


FIG. 2

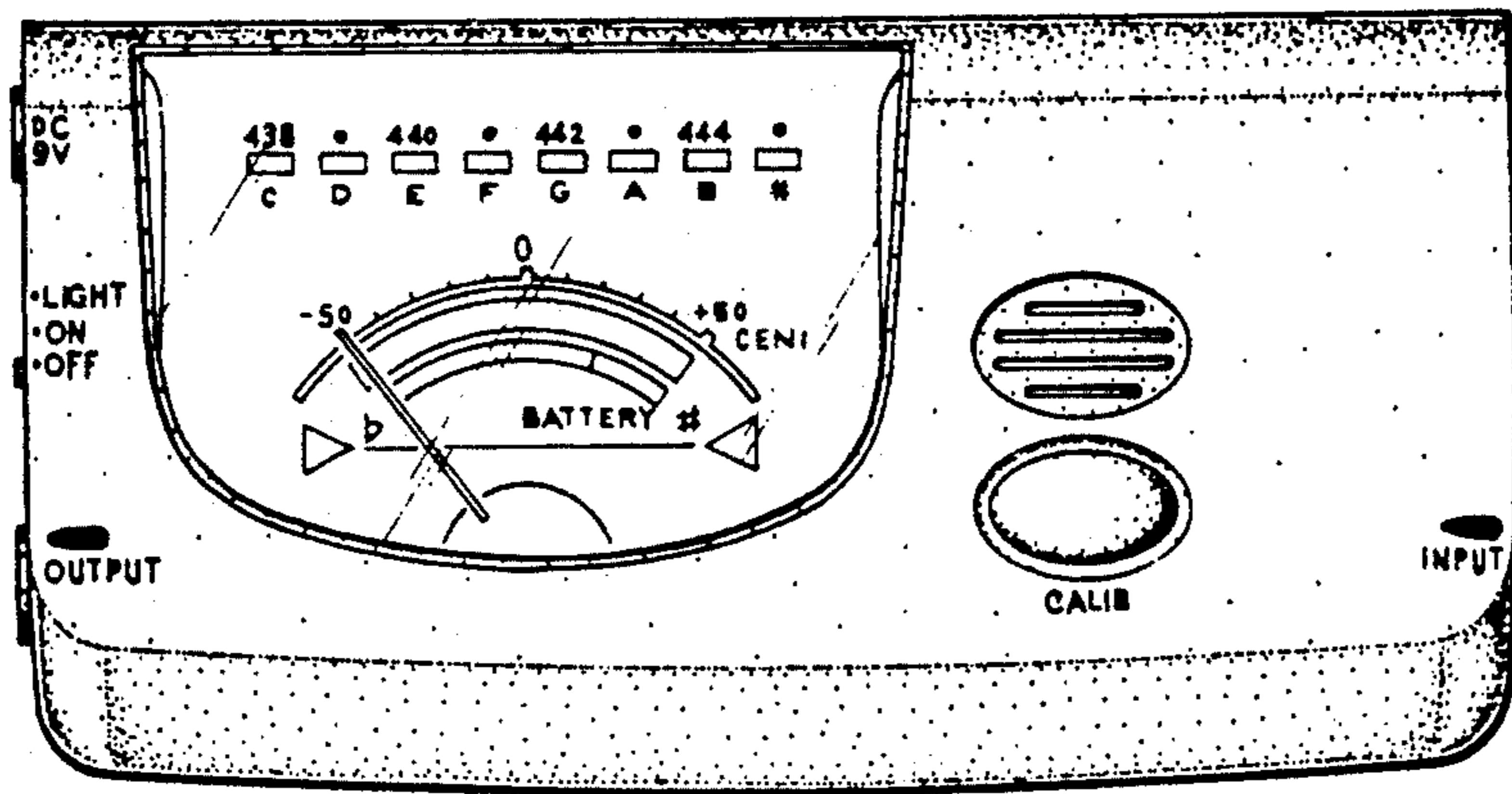


FIG. 3

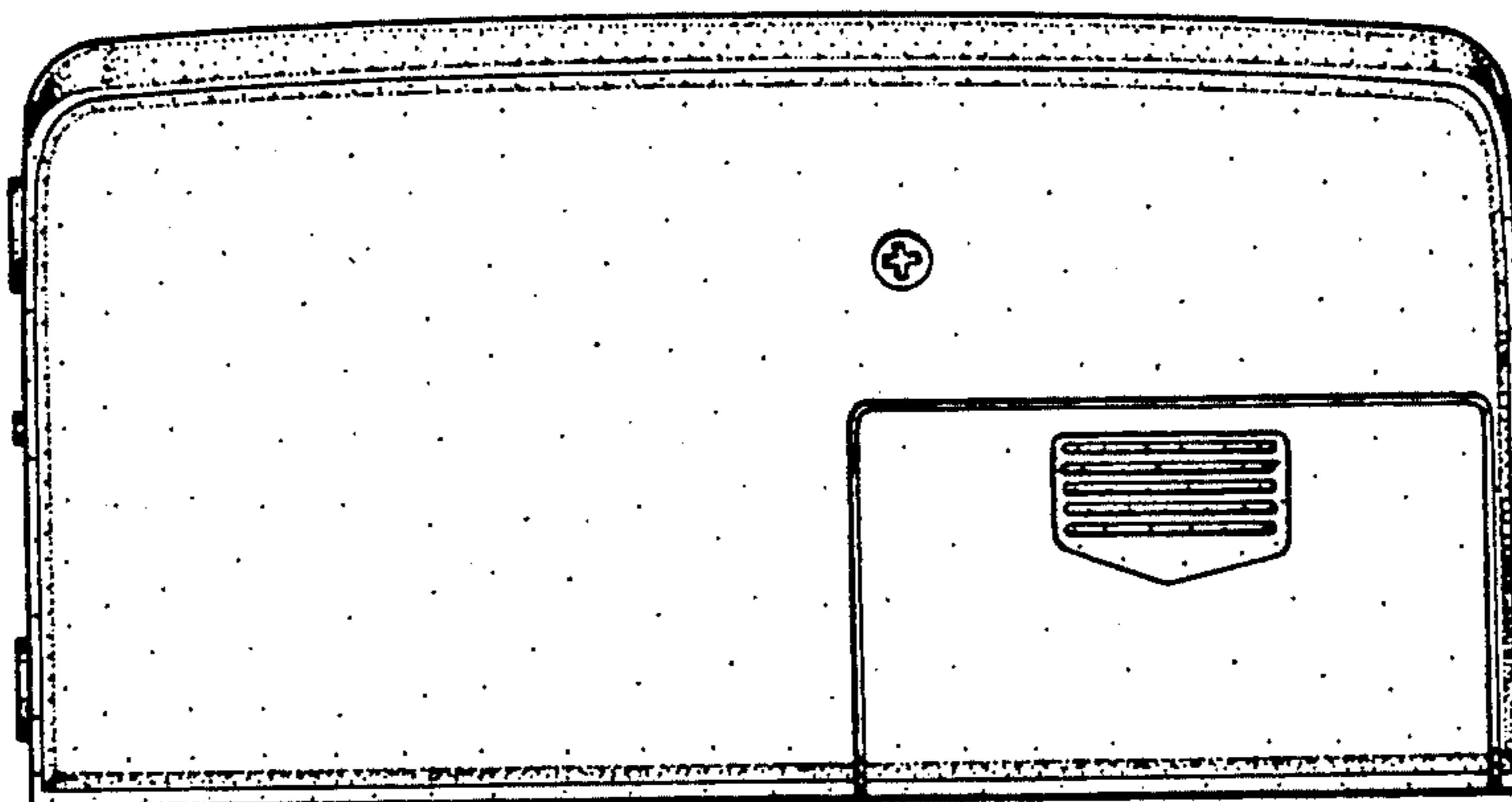


FIG. 4

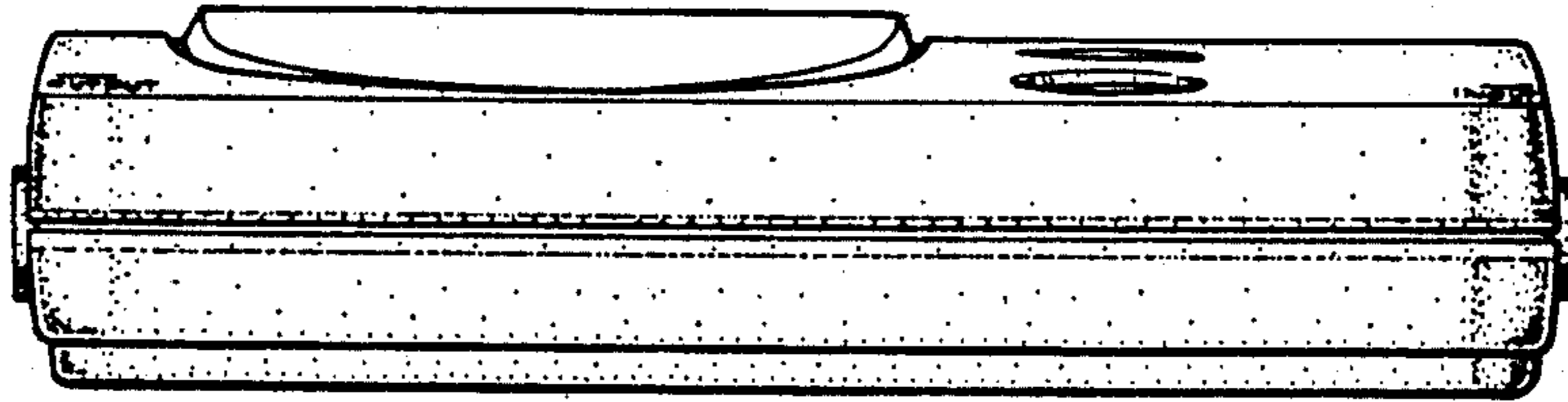


FIG. 5

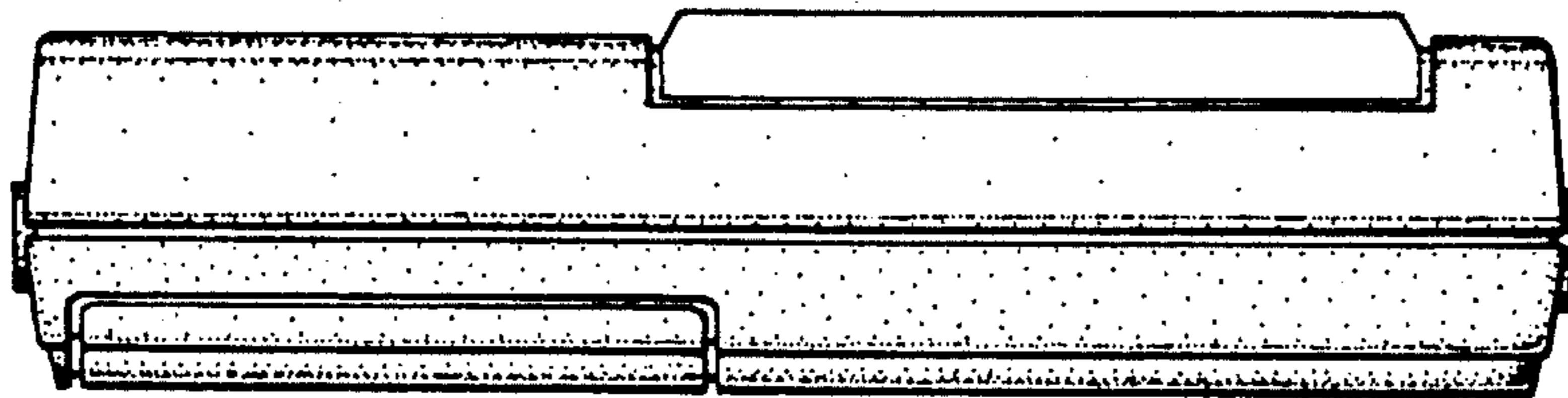


FIG. 6

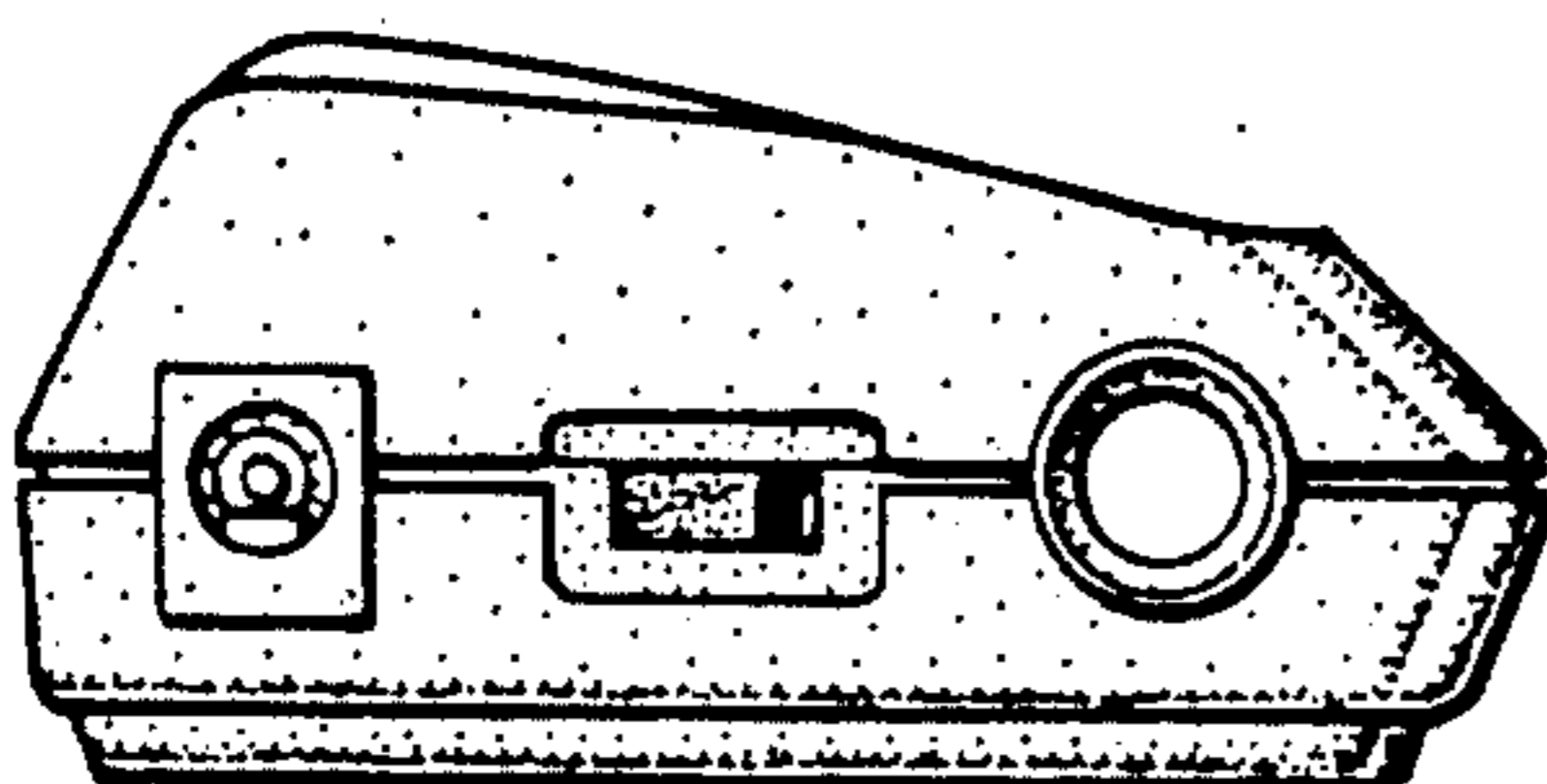


FIG. 7

