

[54] COMBINED VIDEO CAMERA AND BUILT-IN C.D. PLAYER

[75] Inventor: Mitchell L. Forrester, Jr., Baltimore, Md.

[73] Assignees: John Matthew Blazek; John Reynolds Tipton, Jr.; Leonard Bloom, all of Baltimore, Md. ; a part interest to each

[**] Term: 14 Years

[21] Appl. No.: 332,946

[22] Filed: Apr. 4, 1989

[52] U.S. Cl. D16/202

[58] Field of Search D16/200, 202, 205, 208; 352/34, 242, 243; 354/82, 293; 358/229, 906

[56] References Cited

U.S. PATENT DOCUMENTS

D. 223,410	4/1972	Elmhurst	D16/202
D. 260,647	9/1981	Saeki et al.	D16/202
D. 260,894	9/1981	Ellermeier	D16/202
4,764,817	8/1988	Blazek et al.	358/906

OTHER PUBLICATIONS

Video Review, Apr. 1982, p. 107 (JVC VIDSTAR GX-44).

Popular Photography, Nov. 1987, p. 24, (Sony CCD-V110 Camcorder).

Primary Examiner—Bernard Ansher

Assistant Examiner—Adir Aronovich

Attorney, Agent, or Firm—Leonard Bloom

[57] CLAIM

The ornamental design for a combined video camera and built-in C.D. player, as shown.

DESCRIPTION

FIG. 1 is a right-side perspective view of a combined video camera and built-in C.D. player, showing my new design.

FIG. 2 is a left side perspective view thereof.

FIG. 3 is a top plan view thereof.

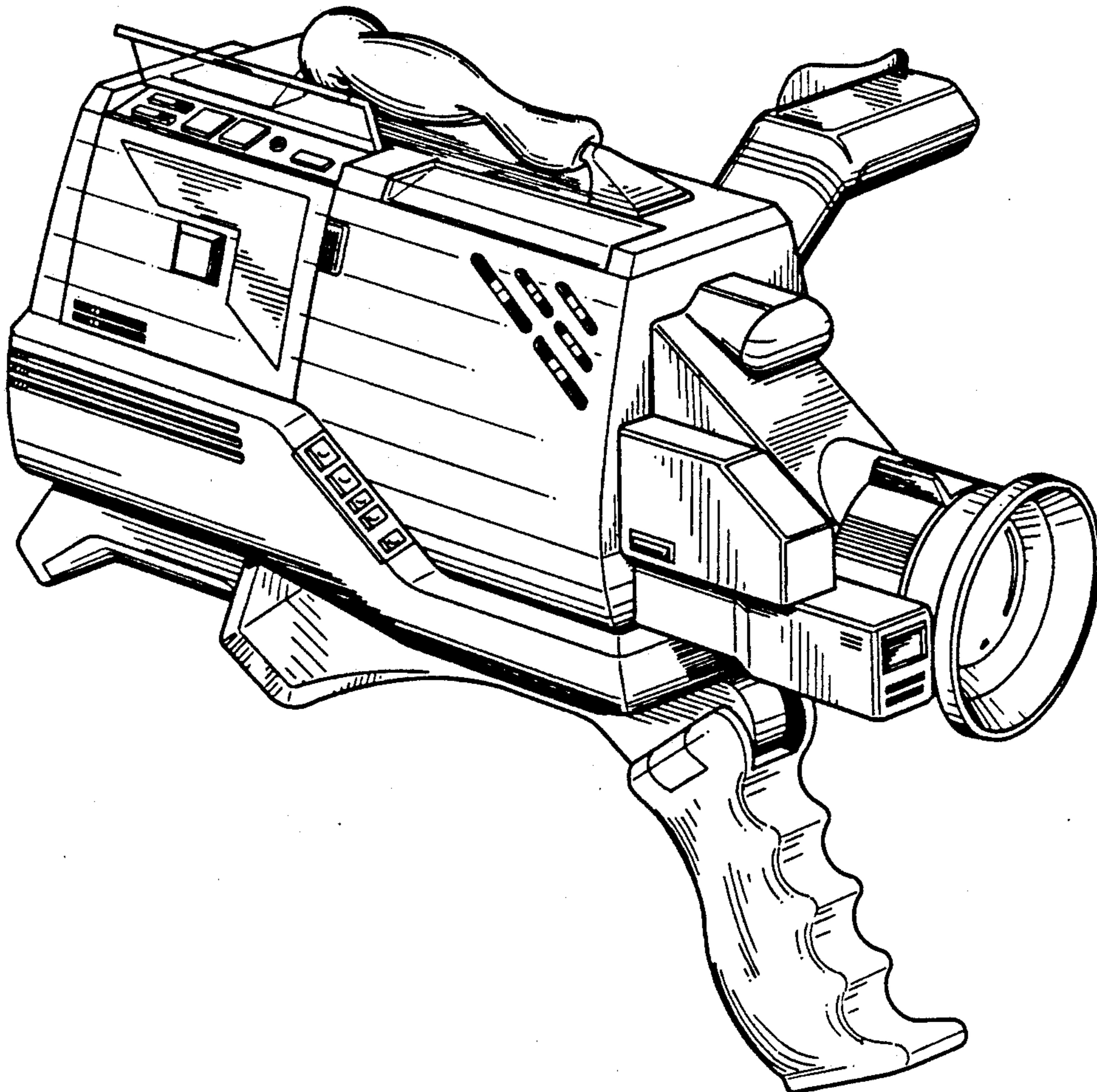
FIG. 4 is a rear elevational view thereof.

FIG. 5 is a right side elevational view thereof.

FIG. 6 is a front elevational view thereof.

FIG. 7 is a left side elevational view thereof.

FIG. 8 is a bottom plan view thereof.



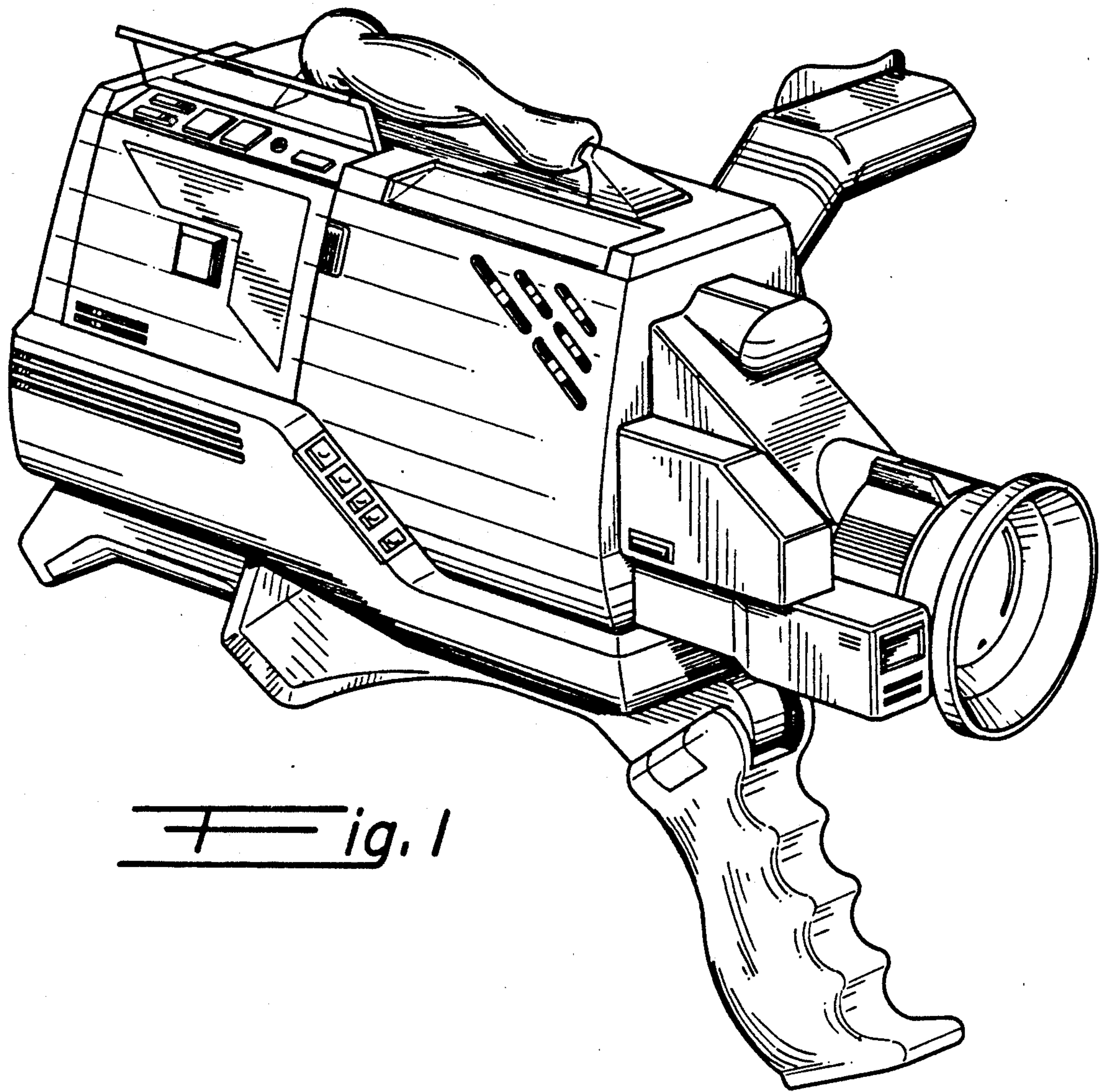
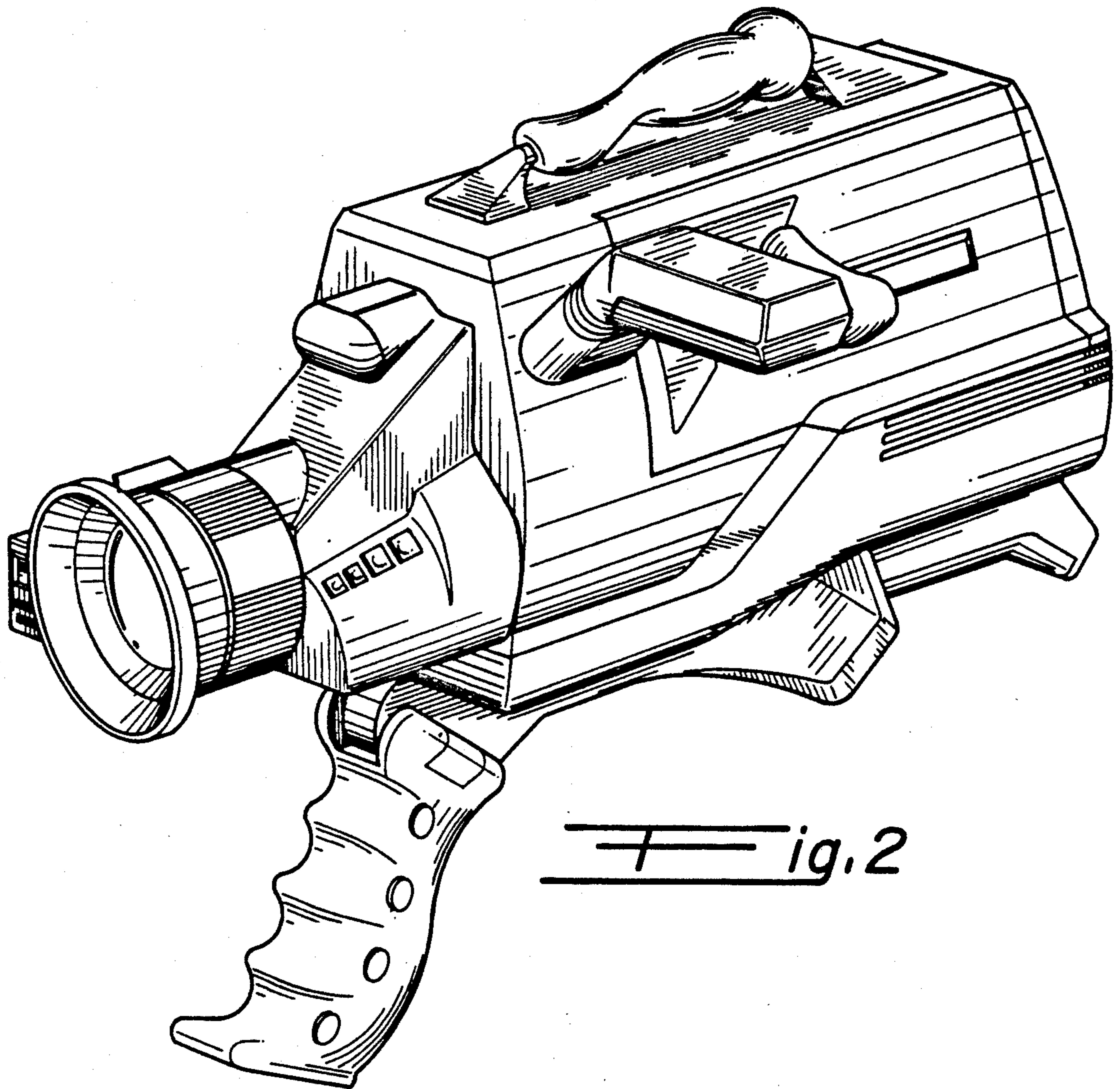


Fig. 1



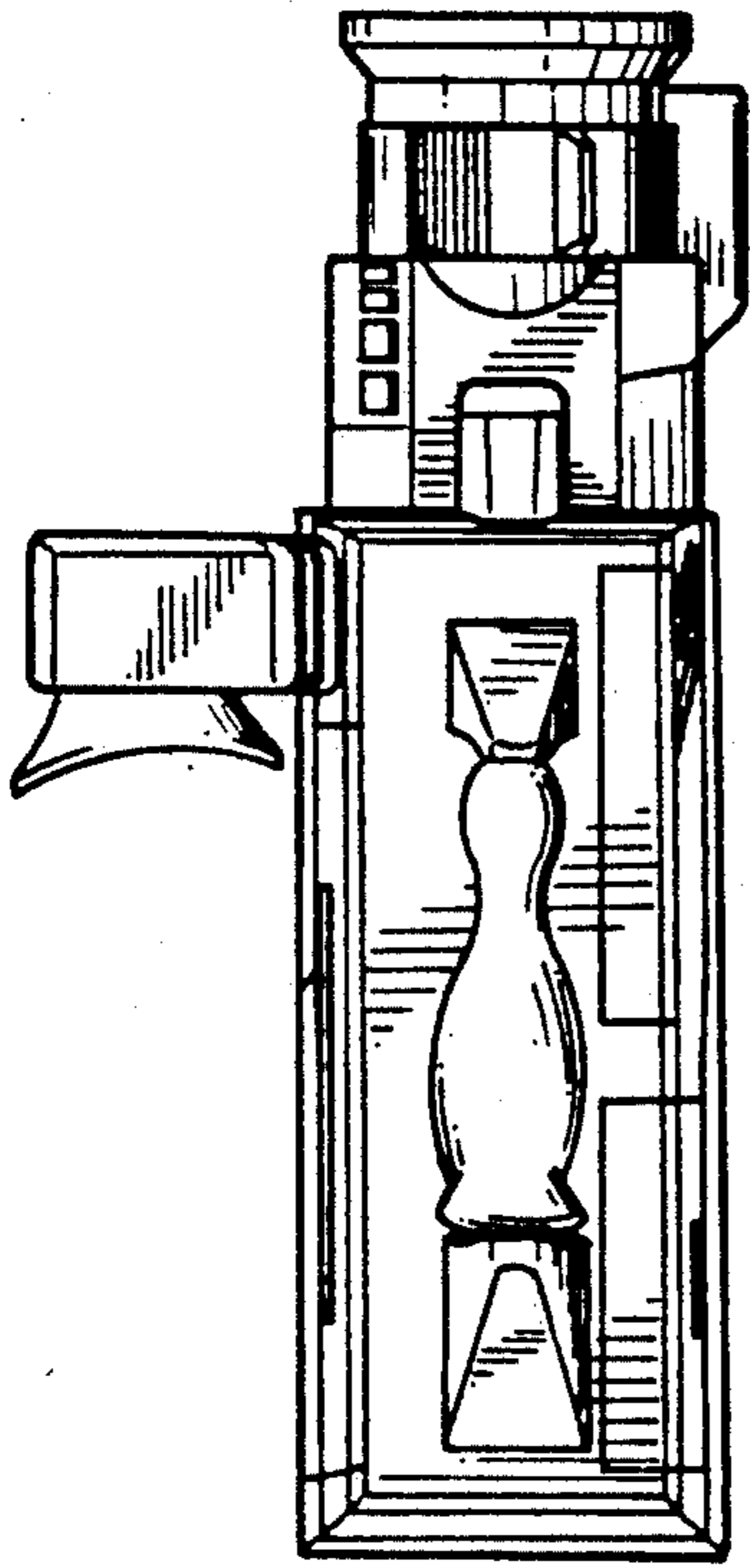


Fig. 3

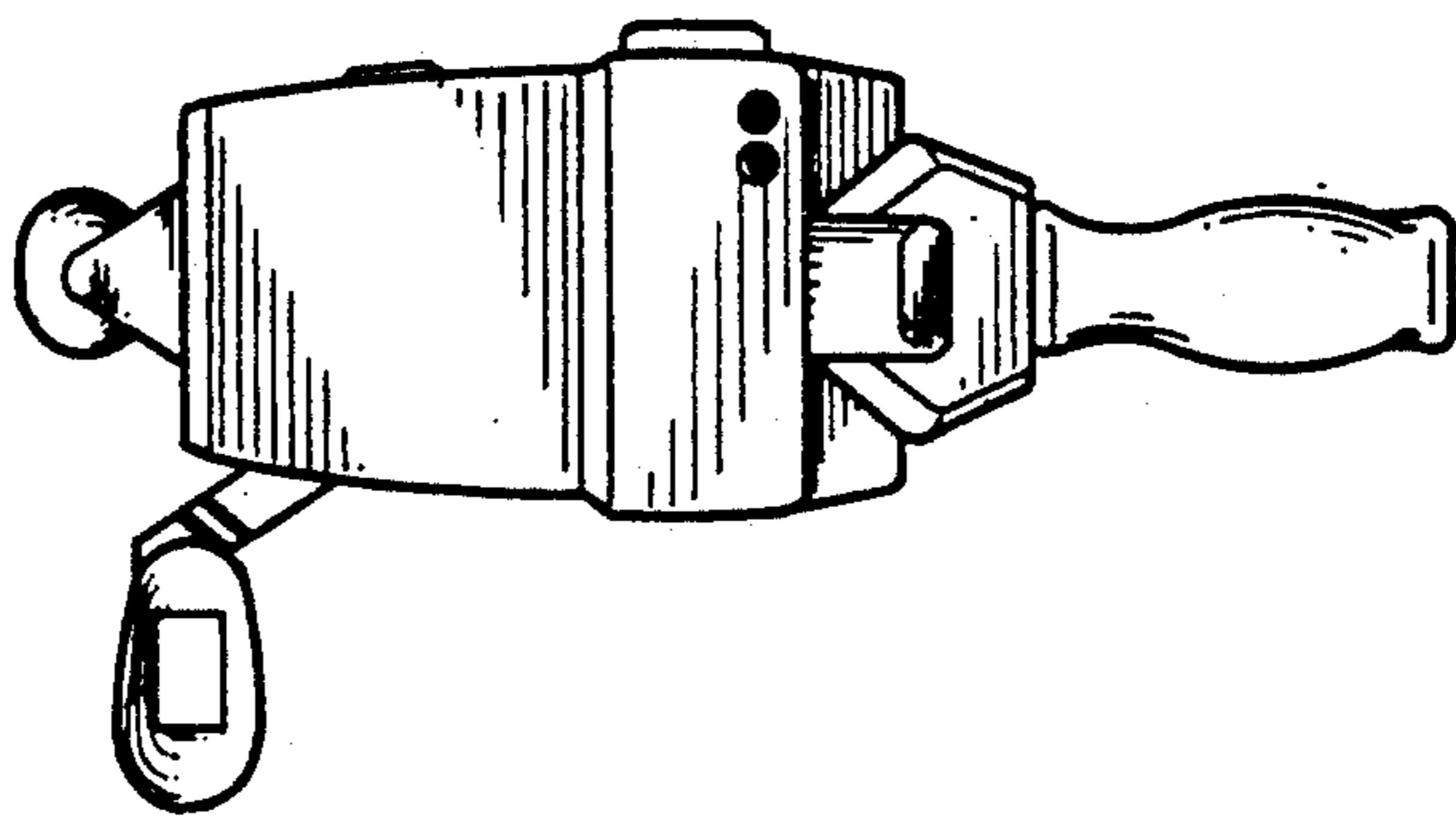


Fig. 4

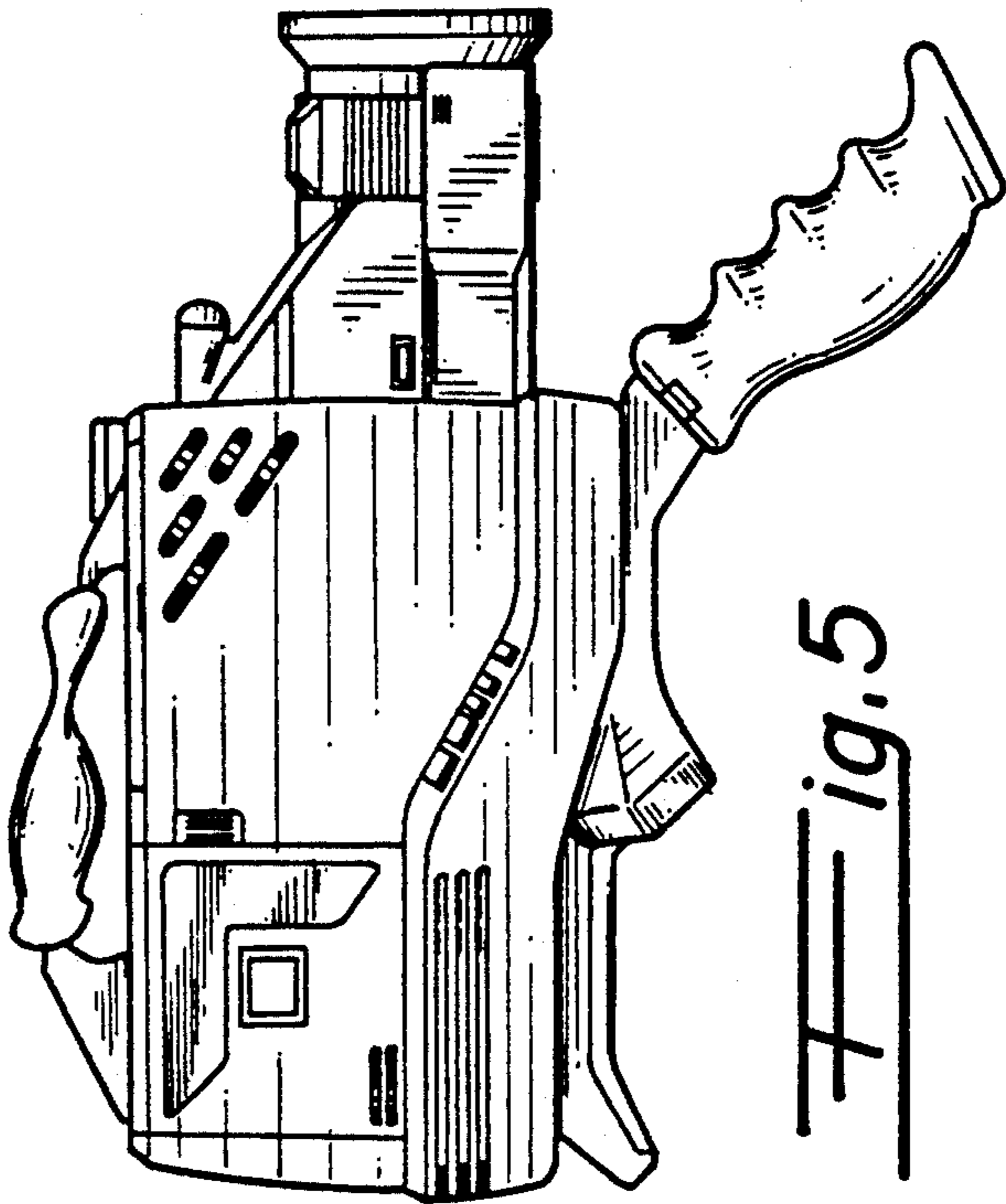


Fig. 5

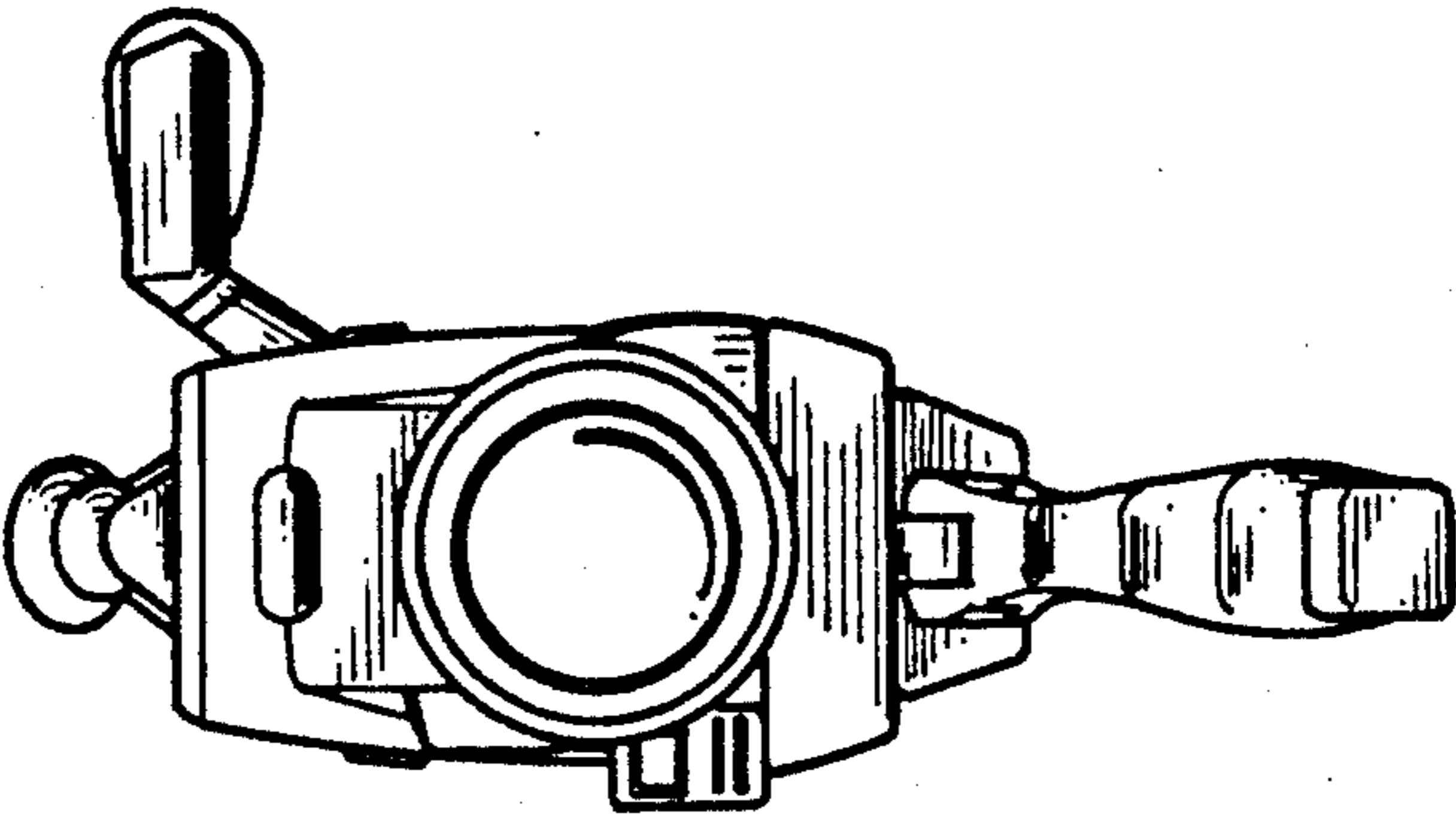


Fig. 6

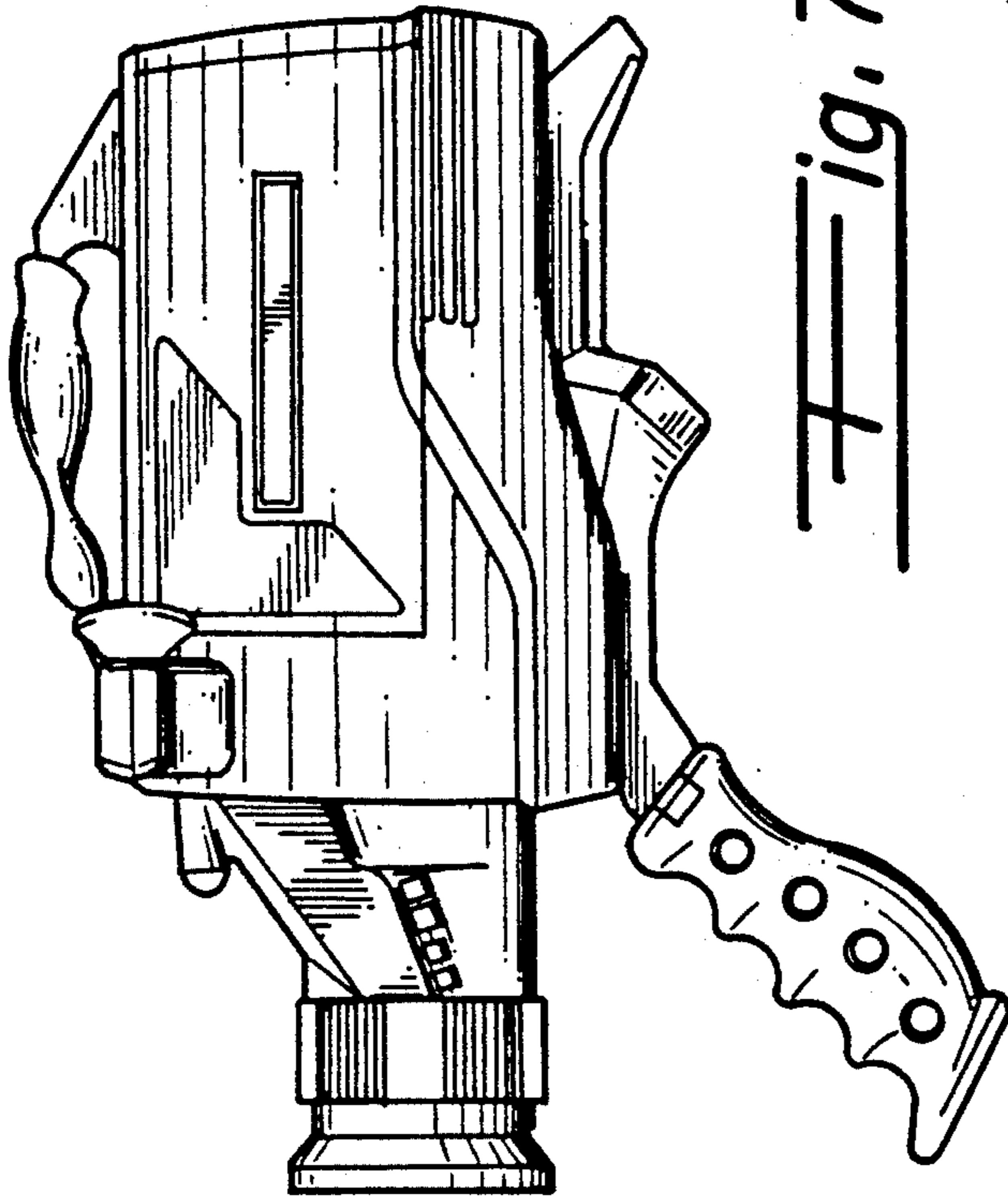


Fig. 7

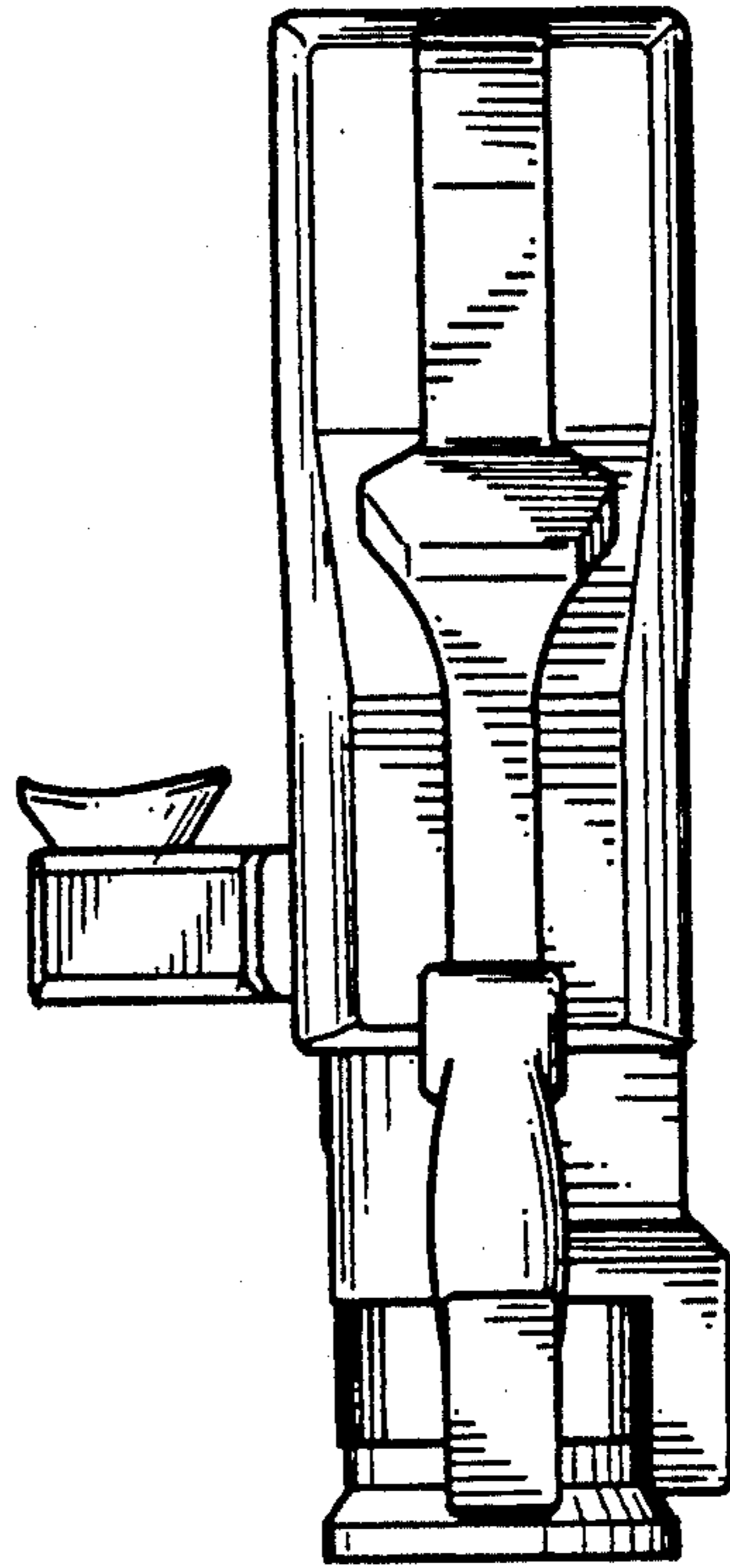


Fig. 8