

[54] CHEMICAL PUMP

[75] Inventor: James P. Larson, Blue Springs, Mo.

[73] Assignee: Western Chemical Pumps Inc.,
Olathe, Kans.

[**] Term: 14 Years

[21] Appl. No.: 301,466

[22] Filed: Jan. 25, 1989

[52] U.S. Cl. D15/7

[58] Field of Search D15/7-9.3;
415/200; 417/424.1-424.2, 63, 54

[56] References Cited

U.S. PATENT DOCUMENTS

- D. 137,612 4/1944 Flanagan et al. D15/7
- D. 252,149 6/1979 Pages D15/7

- D. 285,447 9/1986 Dudeck et al. D15/7
- 3,752,603 8/1973 Bunch 415/200

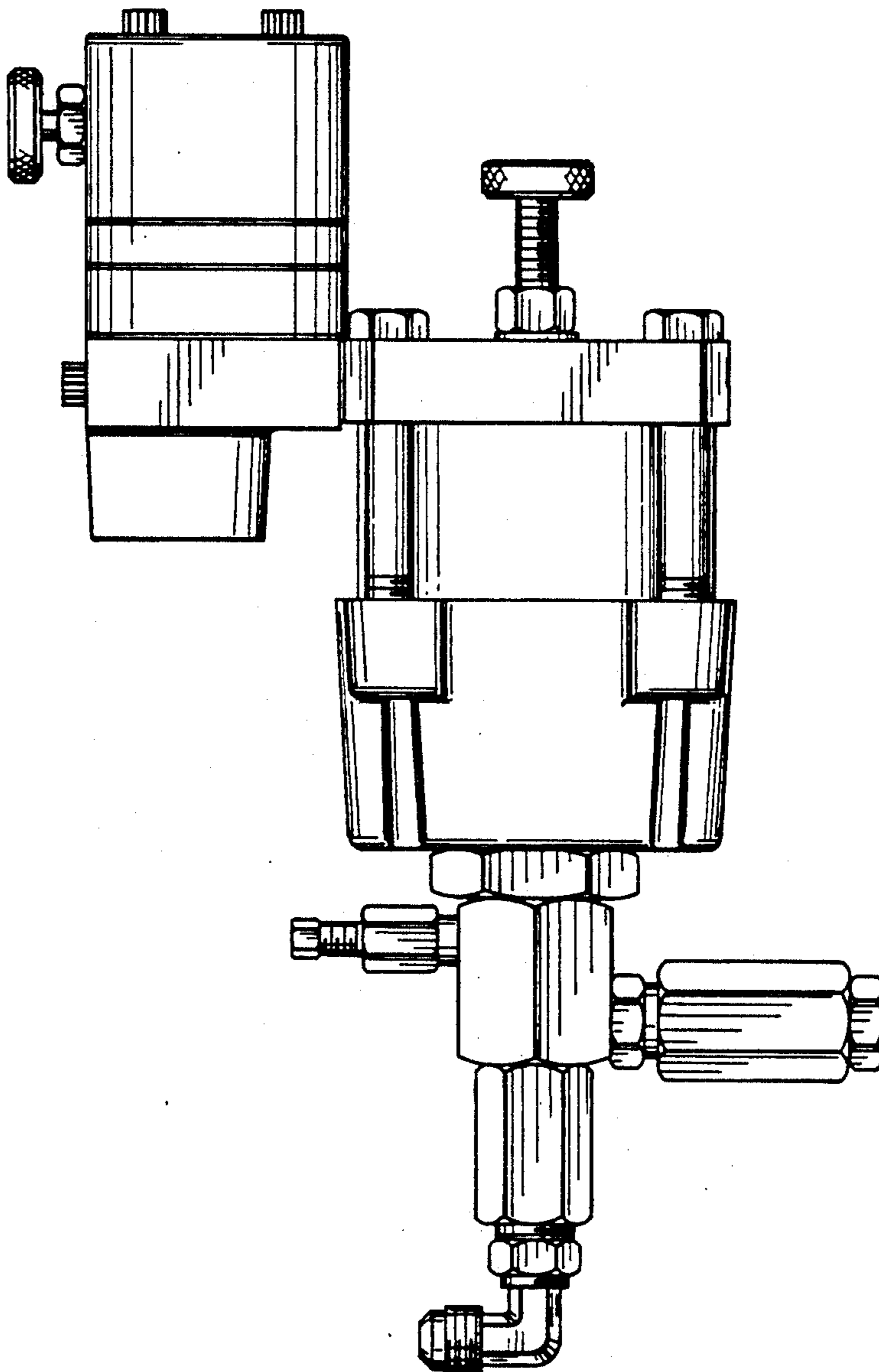
Primary Examiner—Louis S. Zarfes
Assistant Examiner—R. T. Seifert
Attorney, Agent, or Firm—Michael Yakimo, Jr.

[57] CLAIM

The ornamental design for a chemical pump, as shown and described.

DESCRIPTION

FIG. 1 is a front elevational view of a chemical pump showing my new design;
FIG. 2 is a left side elevational view;
FIG. 3 is a right side elevational view;
FIG. 4 is a rear elevational view;
FIG. 5 is a top plan view; and
FIG. 6 is a bottom plan view.



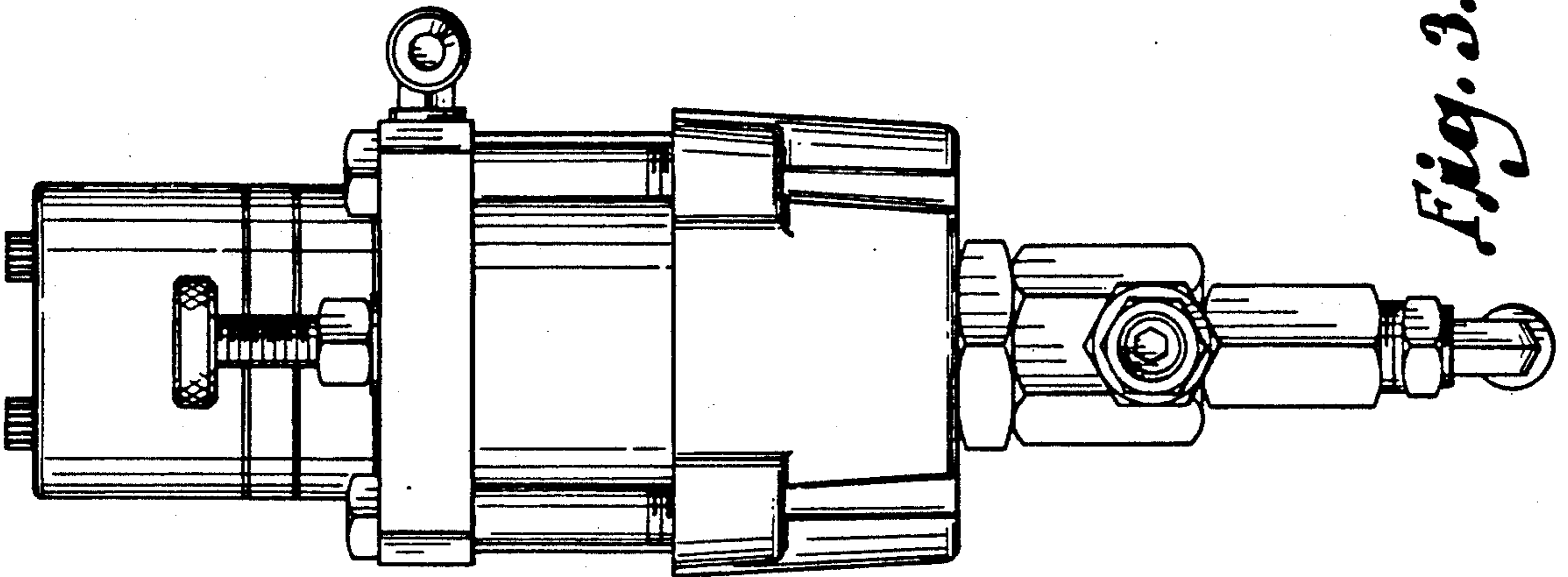


Fig. 3.

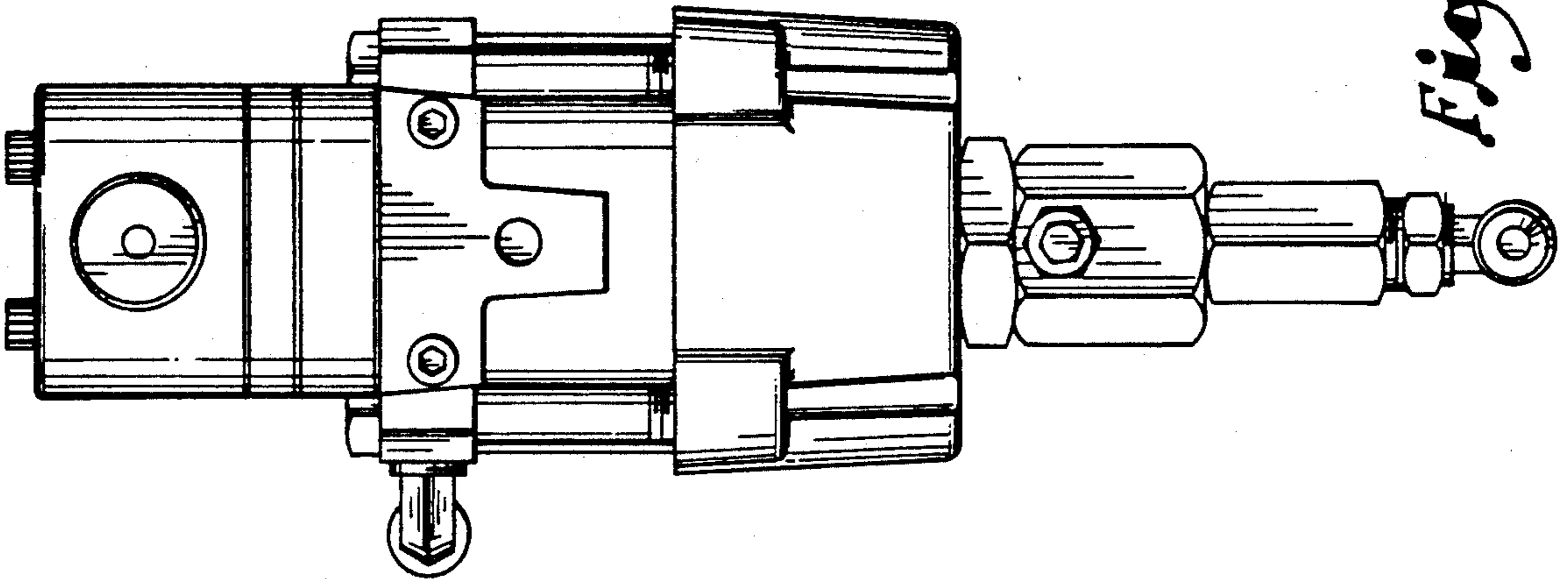


Fig. 2.

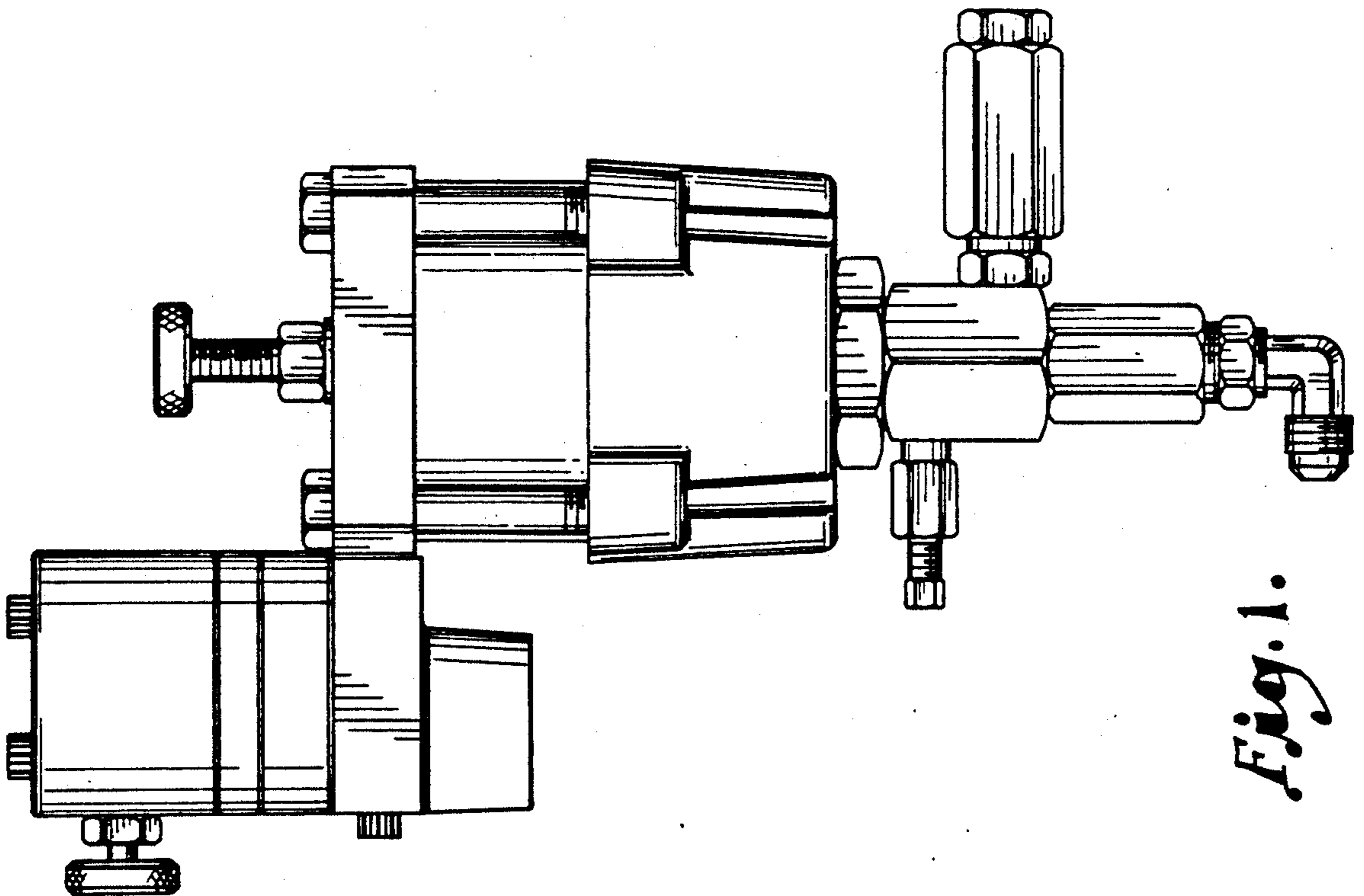


Fig. 1.

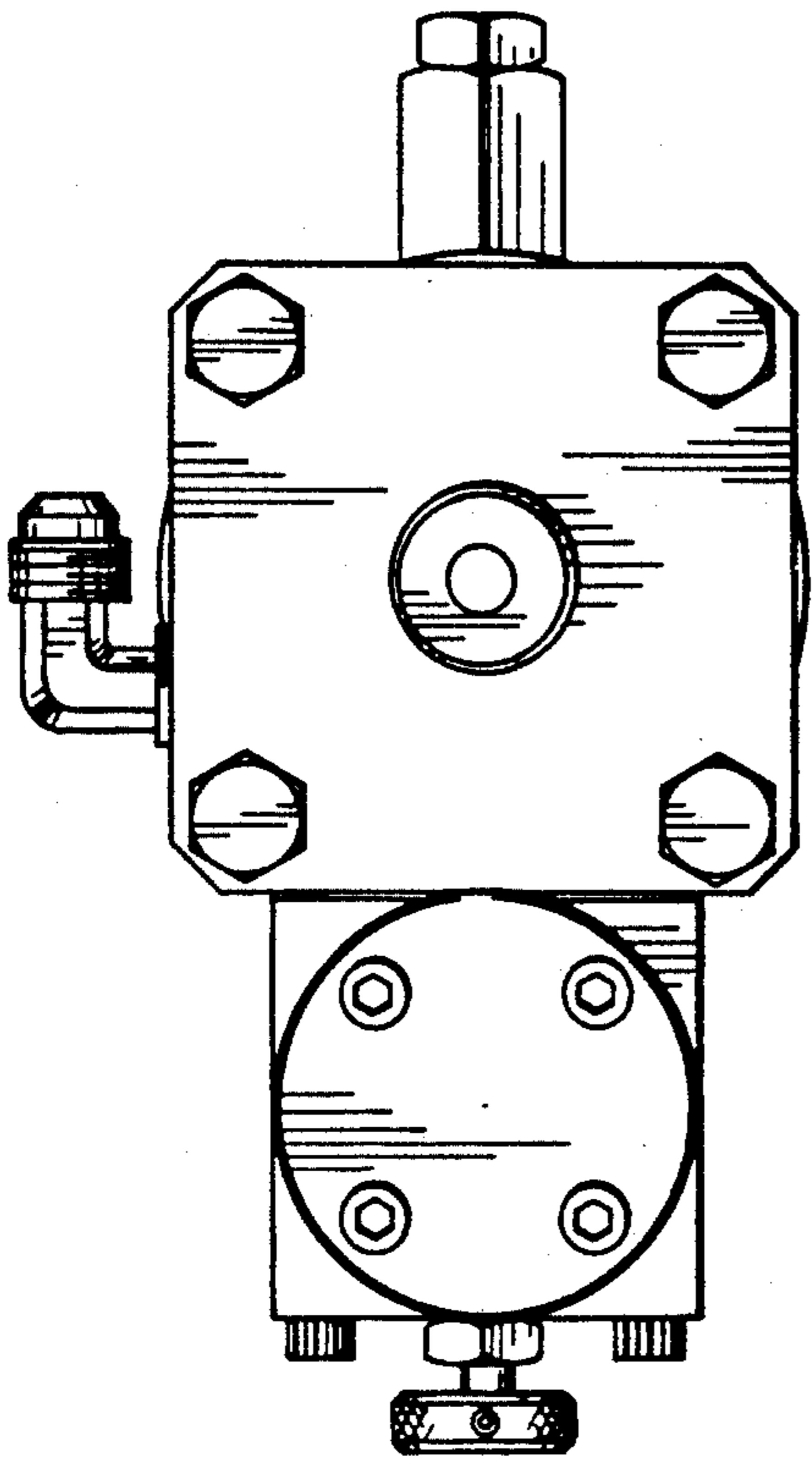


Fig. 5.

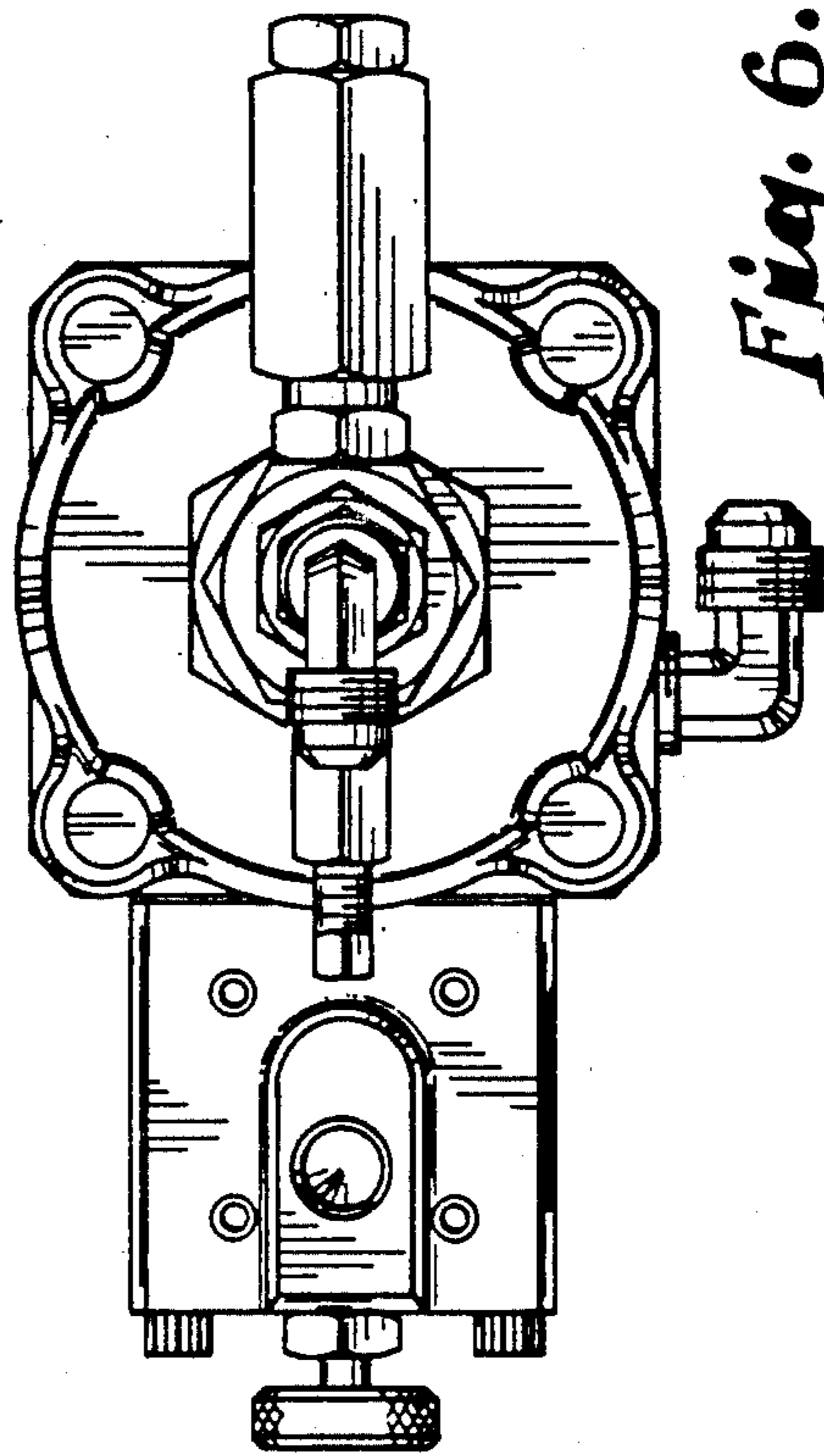


Fig. 6.

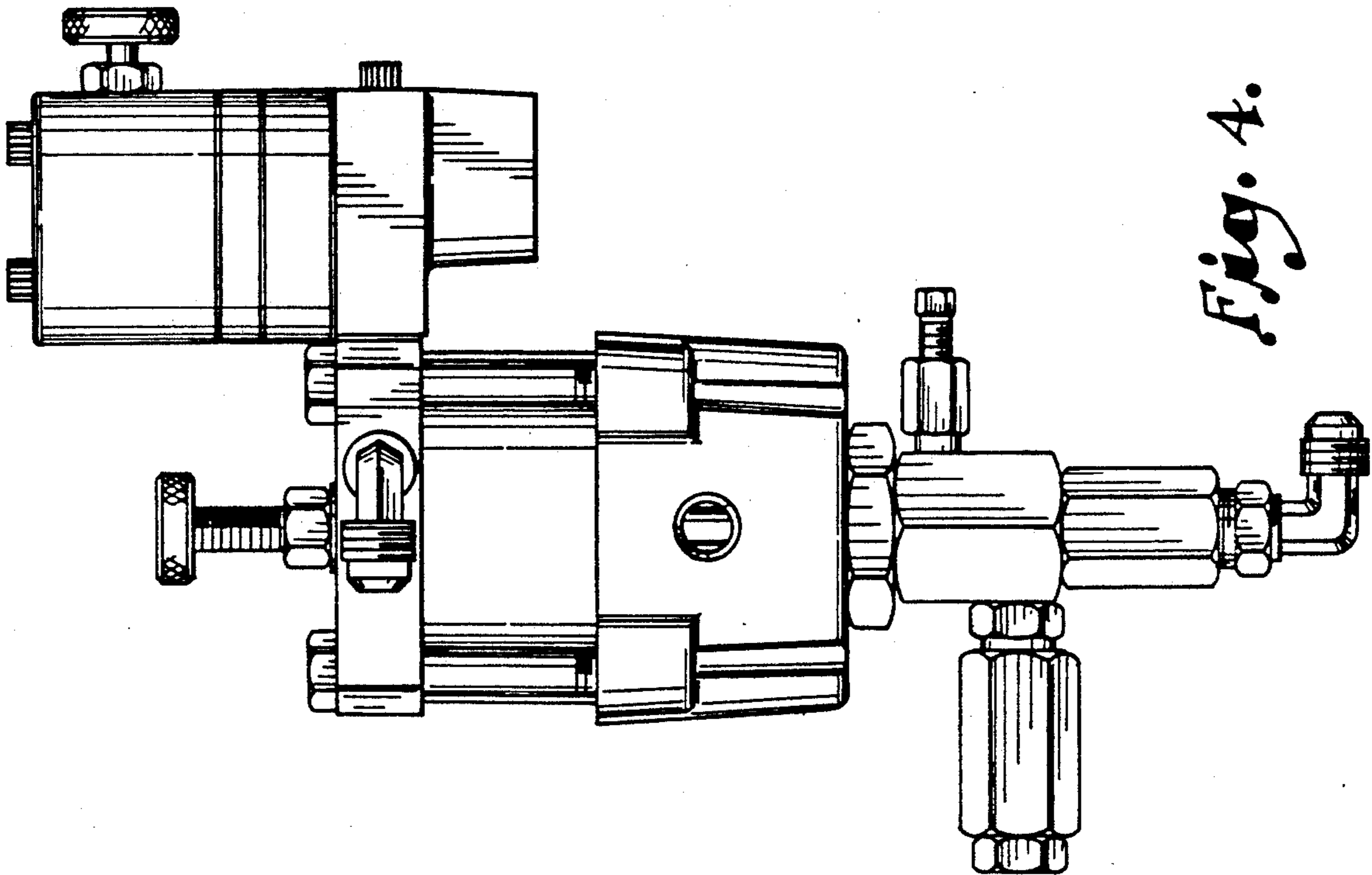


Fig. 4.