

[54] **SPEAKER ENCLOSURE**

[75] **Inventor: Gary F. Kovner, West Hills, Calif.**

[73] **Assignee: Lanza Sound Corp., Chatsworth, Calif.**

[**] **Term: 14 Years**

[21] **Appl. No.: 332,213**

[22] **Filed: Apr. 3, 1989**

[52] **U.S. Cl. D14/204; D14/224**

[58] **Field of Search D14/137, 159, 204-216, D14/221-222, 224; 181/141, 144, 148, 150, 152-153, 155, 157, 199; 381/24, 86-88, 90, 159, 182, 205; D3/40**

[56] **References Cited**

U.S. PATENT DOCUMENTS

D. 218,438 8/1970 Shook et al. D3/40
3,101,810 8/1963 Doschek 181/199
4,235,301 11/1980 Mitchell 181/148

FOREIGN PATENT DOCUMENTS

1147983 5/1963 Fed. Rep. of Germany 381/24

Primary Examiner—Theodore M. Shooman
Attorney, Agent, or Firm—James E. Brunton

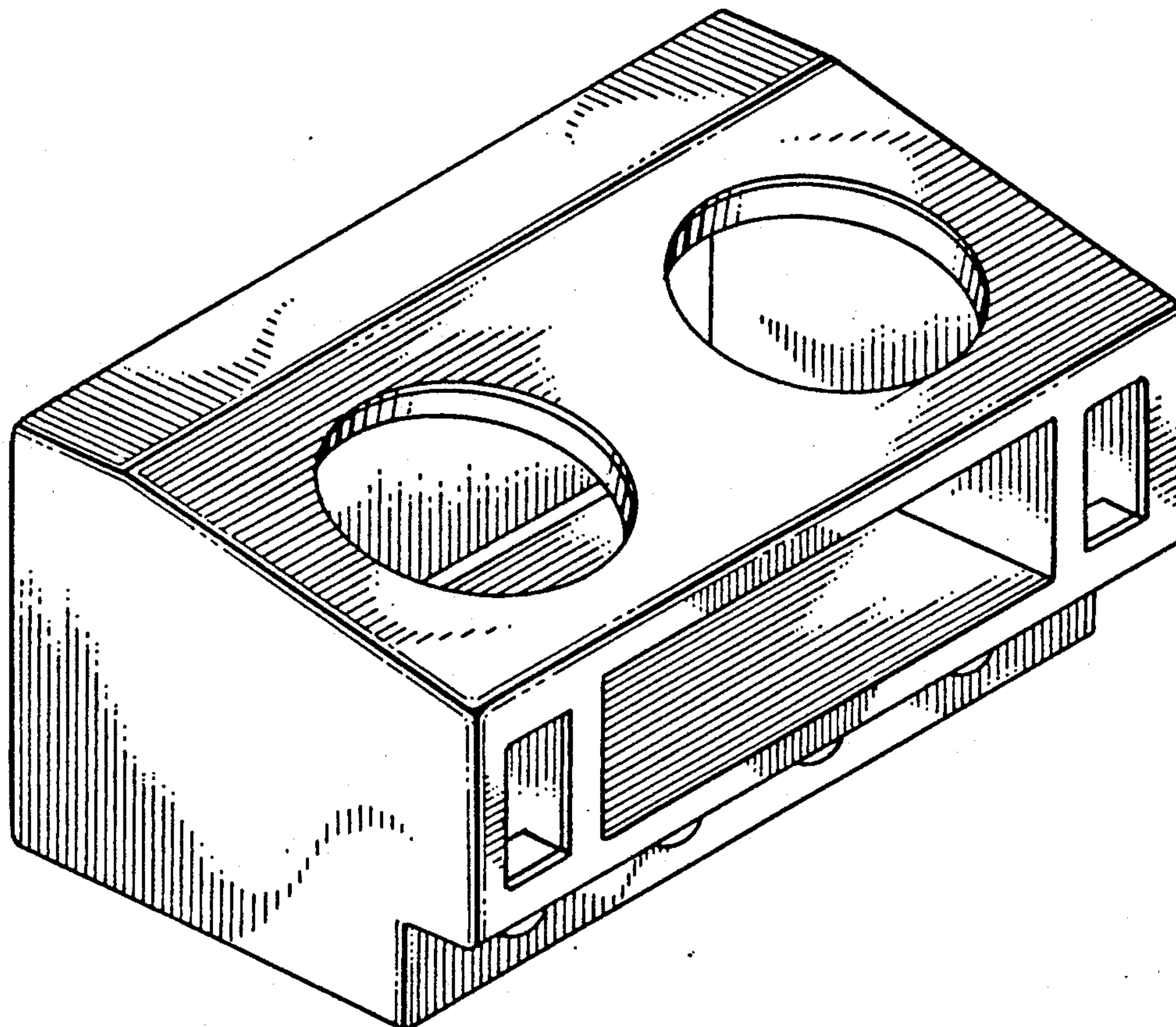
[57] **CLAIM**

The ornamental design for speaker enclosure, as shown and described.

DESCRIPTION

FIG. 1 is a top, front and left side perspective view of a speaker enclosure showing my new design; FIG. 2 is a right side elevational view thereof; FIG. 3 is a front elevational view thereof; FIG. 4 is a top plan view thereof; FIG. 5 is a rear elevational view thereof; FIG. 6 is a bottom plan view thereof; and FIG. 7 is a cross sectional view thereof, taken along line 7-7 of FIG. 3.

The broken line showing of the speakers in FIG. 7 is for illustrative purposes only and forms no part of the claimed design.



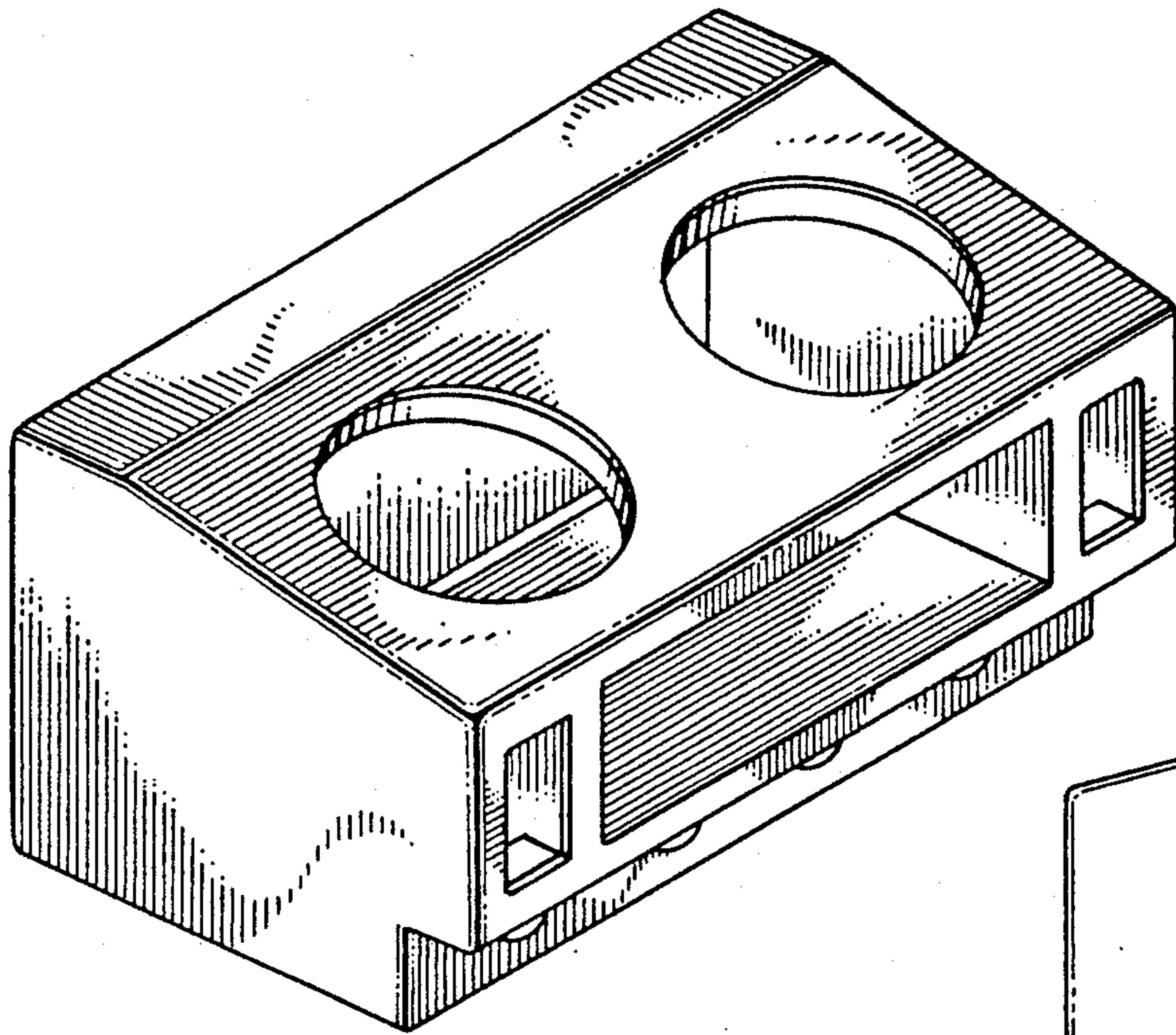


FIG. 1

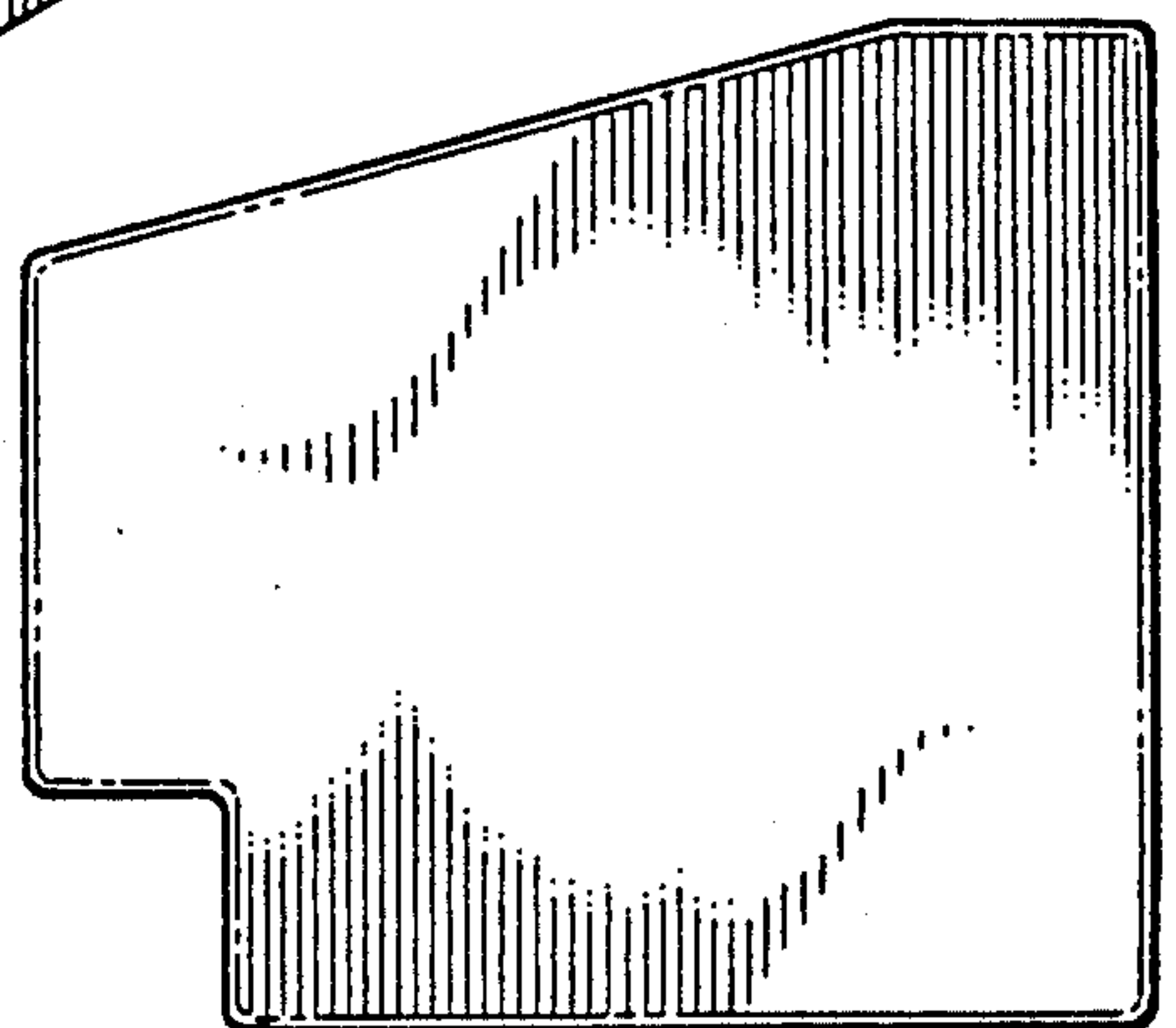


FIG. 2

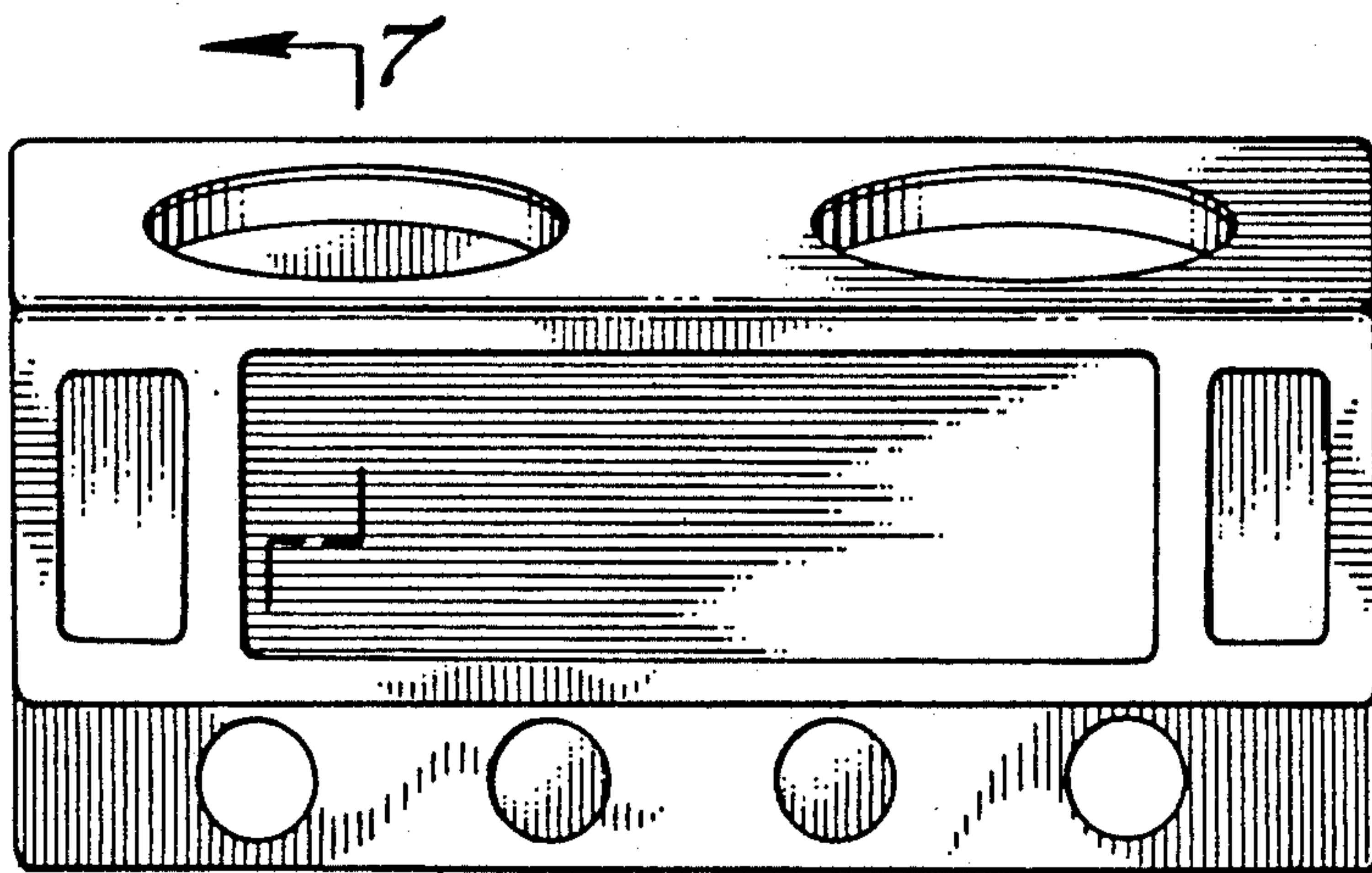


FIG. 3

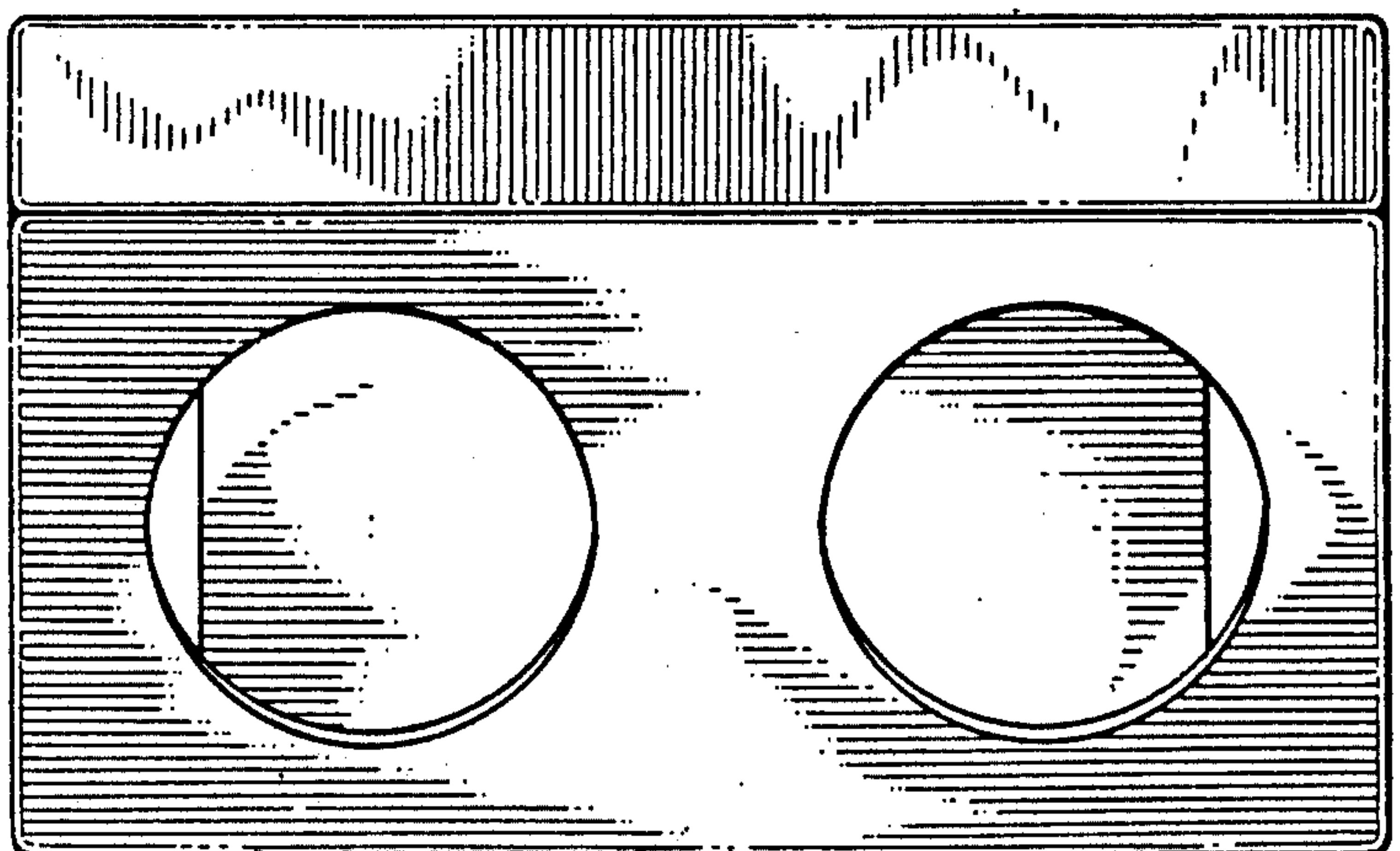


FIG. 4

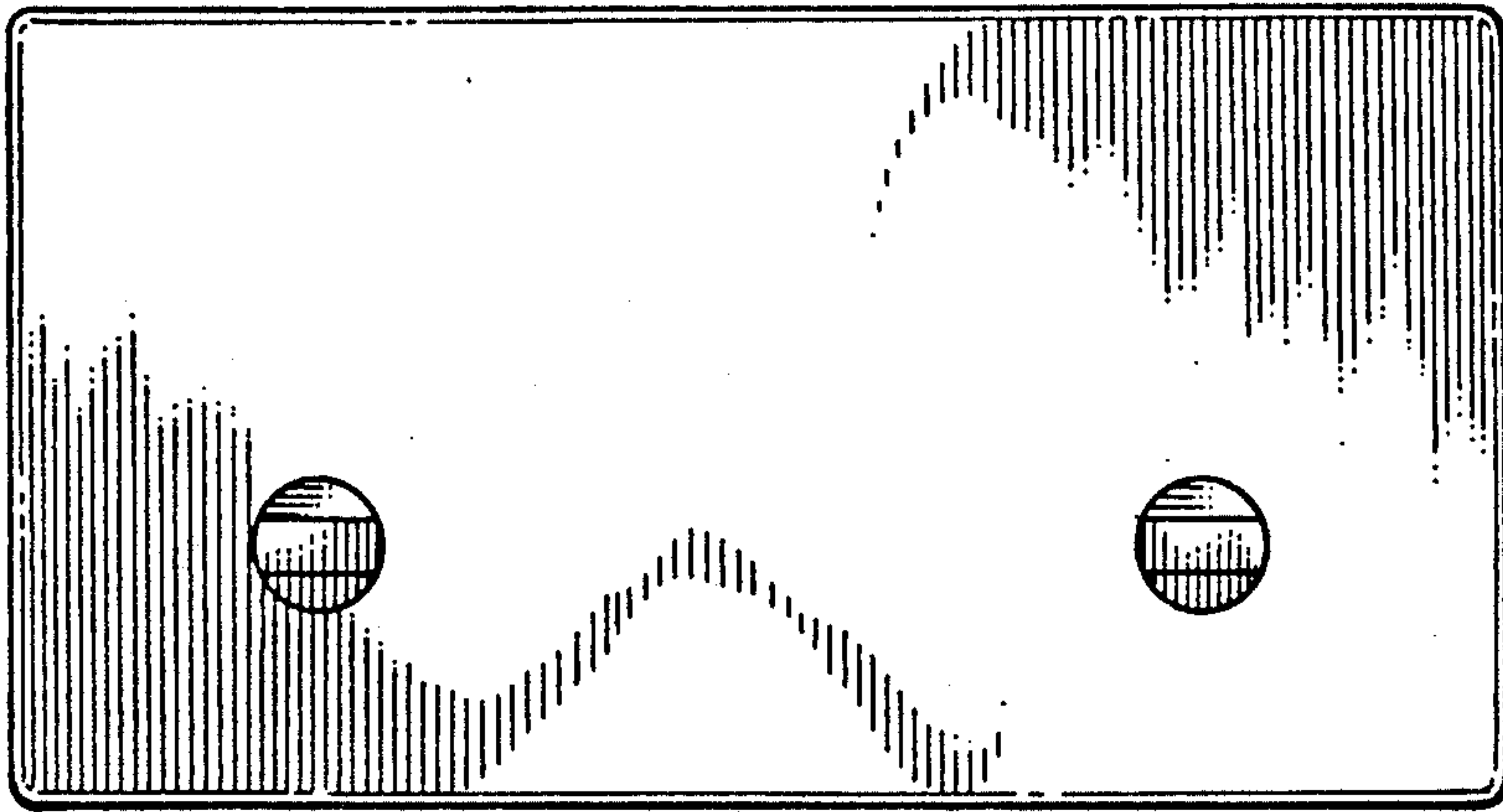


FIG. 5

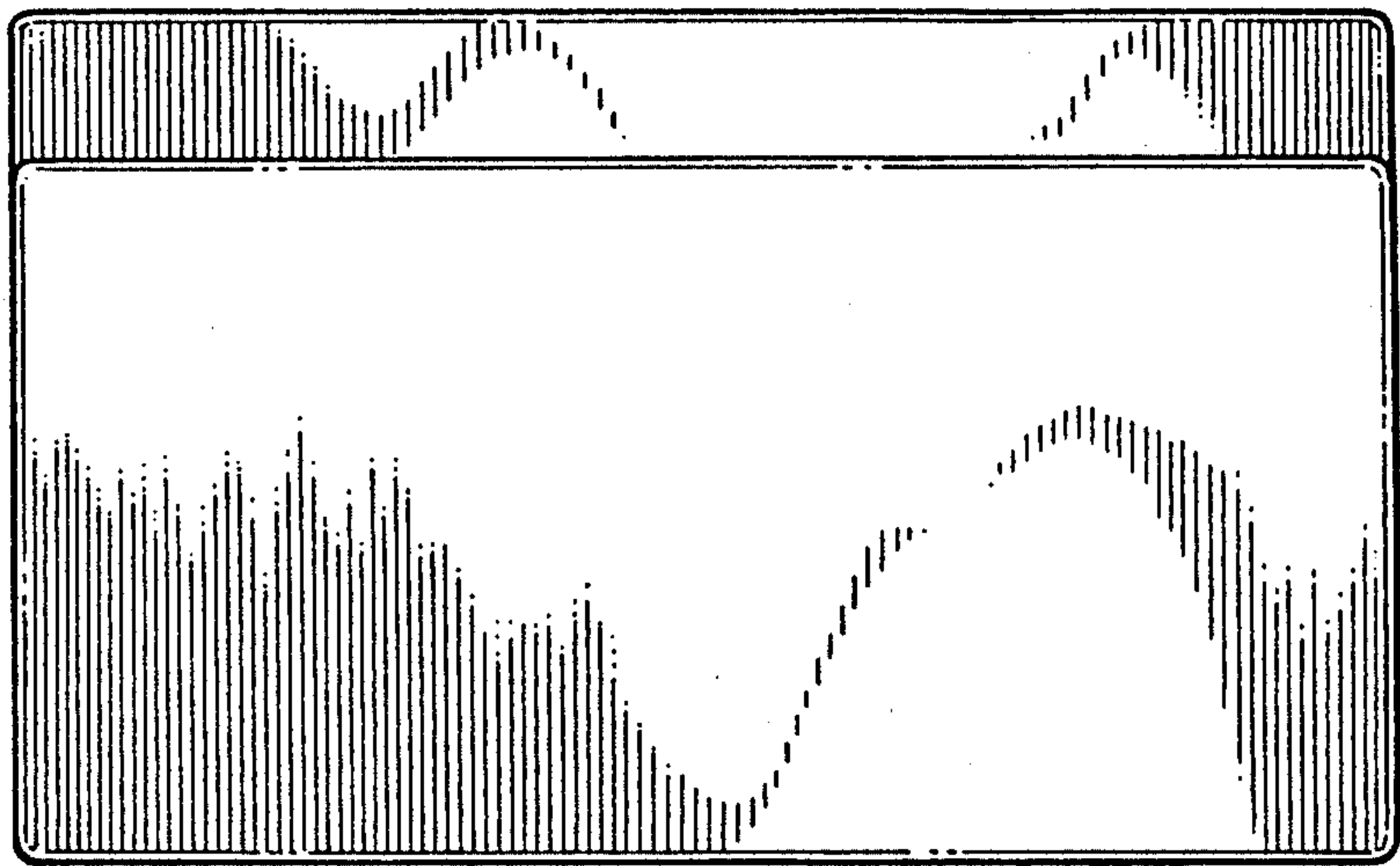


FIG. 6

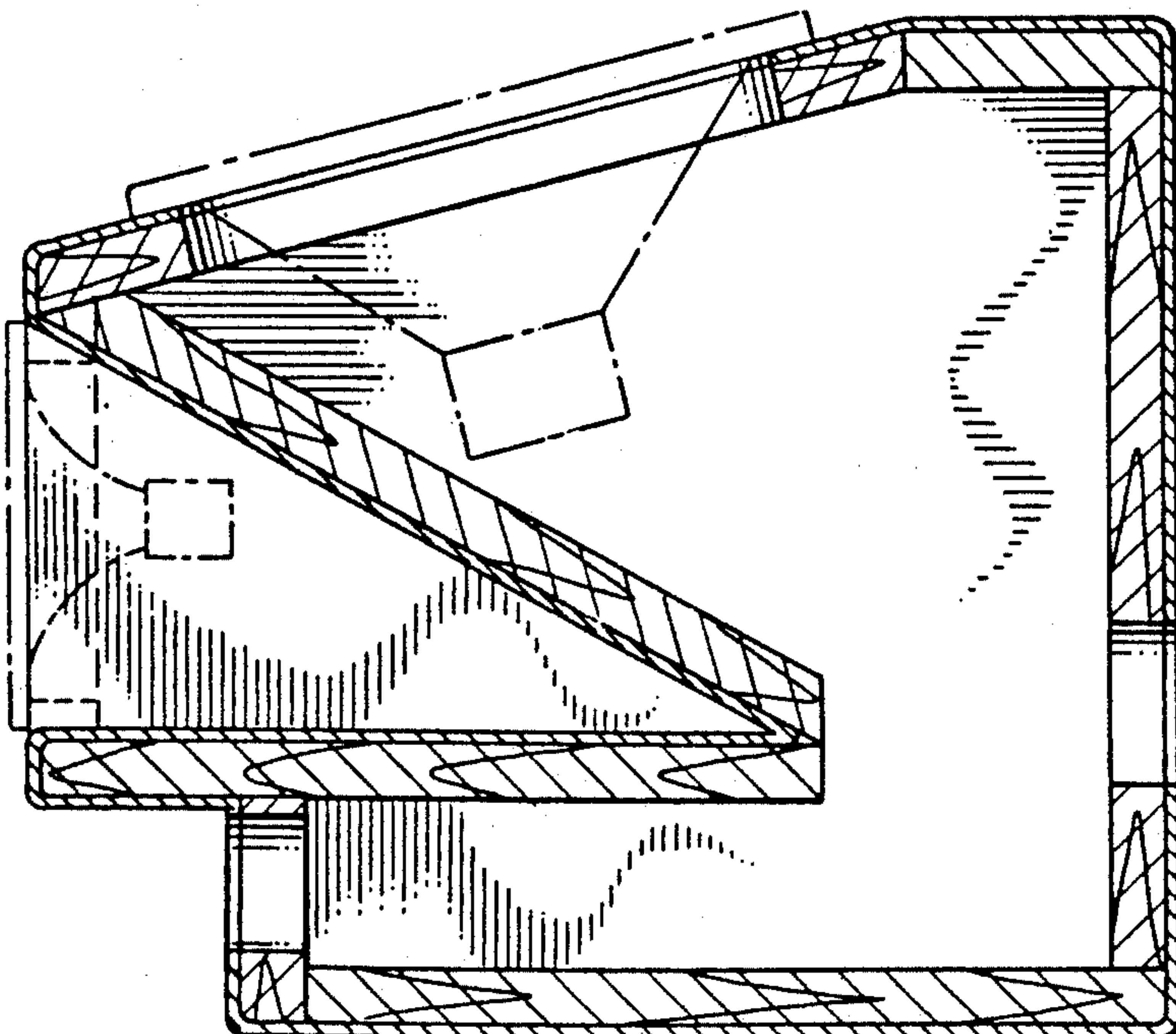


FIG. 7