

[54] PORTABLE RADIOTELEPHONE

[75] Inventors: Akihiko Konno; Masahiko Tabuchi, both of Tokyo, Japan

[73] Assignee: Kabushiki Kaisha Toshiba, Kawasaki, Japan

[\*\*] Term: 14 Years

[21] Appl. No.: 528,460

[22] Filed: May 25, 1990

[30] Foreign Application Priority Data

Dec. 8, 1989 [JP] Japan ..... 1-44476

[52] U.S. Cl. .... D14/147; D14/138; D14/148; D14/143

[58] Field of Search ..... D14/143, 147, 148, 137, D14/1; 379/433, 440, 58, 59, 61; 455/89, 90

[56] References Cited

U.S. PATENT DOCUMENTS

- D. 282,544 2/1986 Wu ..... D14/147
- D. 282,743 2/1986 Huang ..... D14/143
- D. 282,744 2/1986 Huang ..... D14/143
- D. 284,468 7/1986 Matras ..... D14/143
- D. 285,438 9/1986 Chen ..... D14/143

- D. 291,990 9/1987 Lee ..... D14/143
- D. 298,035 10/1988 Watanabe ..... D14/138
- D. 298,621 11/1988 Willis ..... D14/147
- D. 308,971 7/1990 Weiser et al. .... D14/148 X
- D. 310,366 9/1990 Akaike et al. .... D14/148 X
- D. 313,411 1/1991 Weiser et al. .... D14/138

FOREIGN PATENT DOCUMENTS

732620 5/1988 Japan .

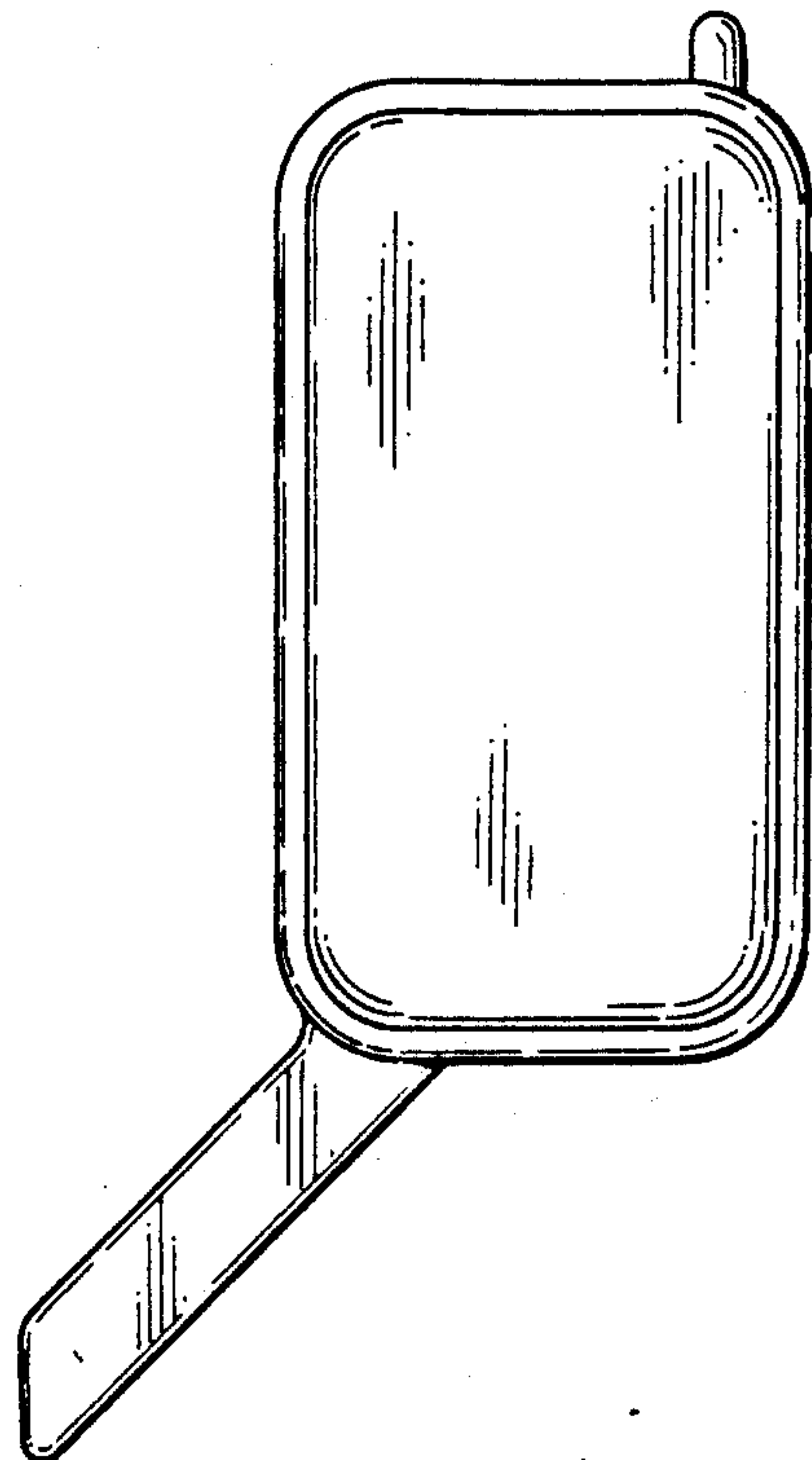
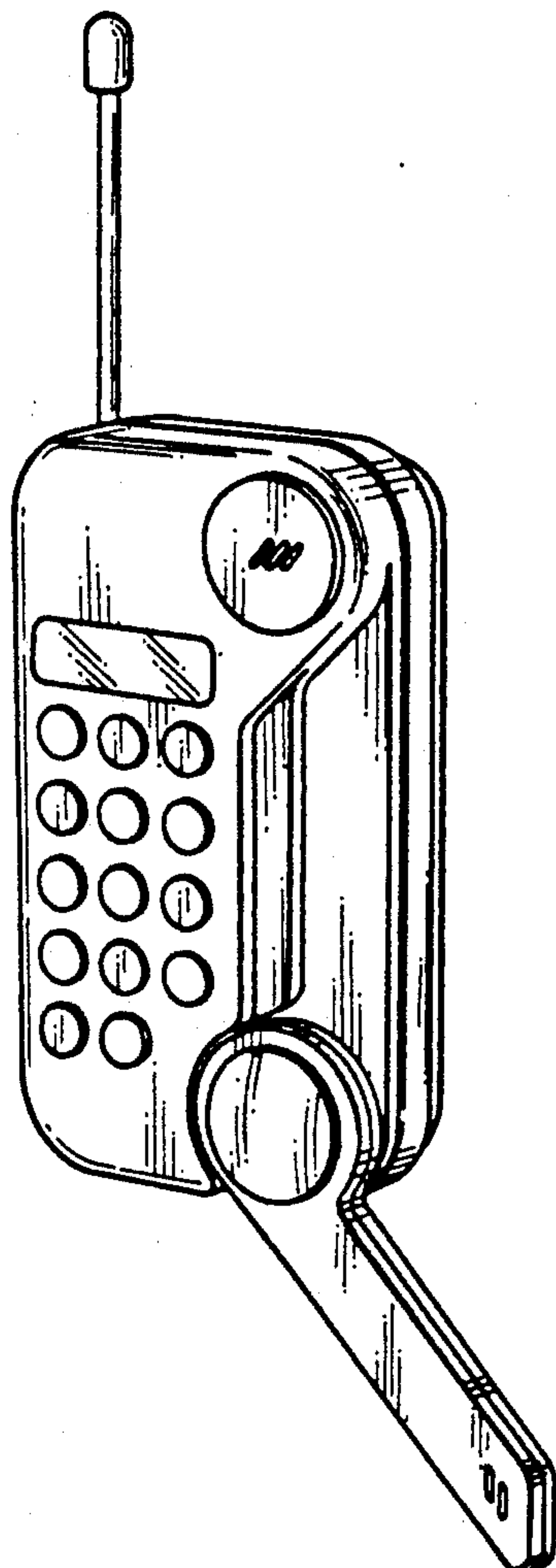
Primary Examiner—Horace B. Fay, Jr.  
Attorney, Agent, or Firm—Oblon, Spivak, McClelland, Maier & Neustadt

[57] CLAIM

The ornamental design for a portable radiotelephone, as shown.

DESCRIPTION

FIG. 1 is a top, front and right side perspective view of a portable radiotelephone showing our new design, with an antenna extended;  
FIG. 2 is a front elevational view thereof;  
FIG. 3 is a top plan view thereof;  
FIG. 4 is a bottom plan view thereof;  
FIG. 5 is a right side elevational view thereof;  
FIG. 6 is a rear elevational view thereof; and  
FIG. 7 is a left side elevational view thereof.



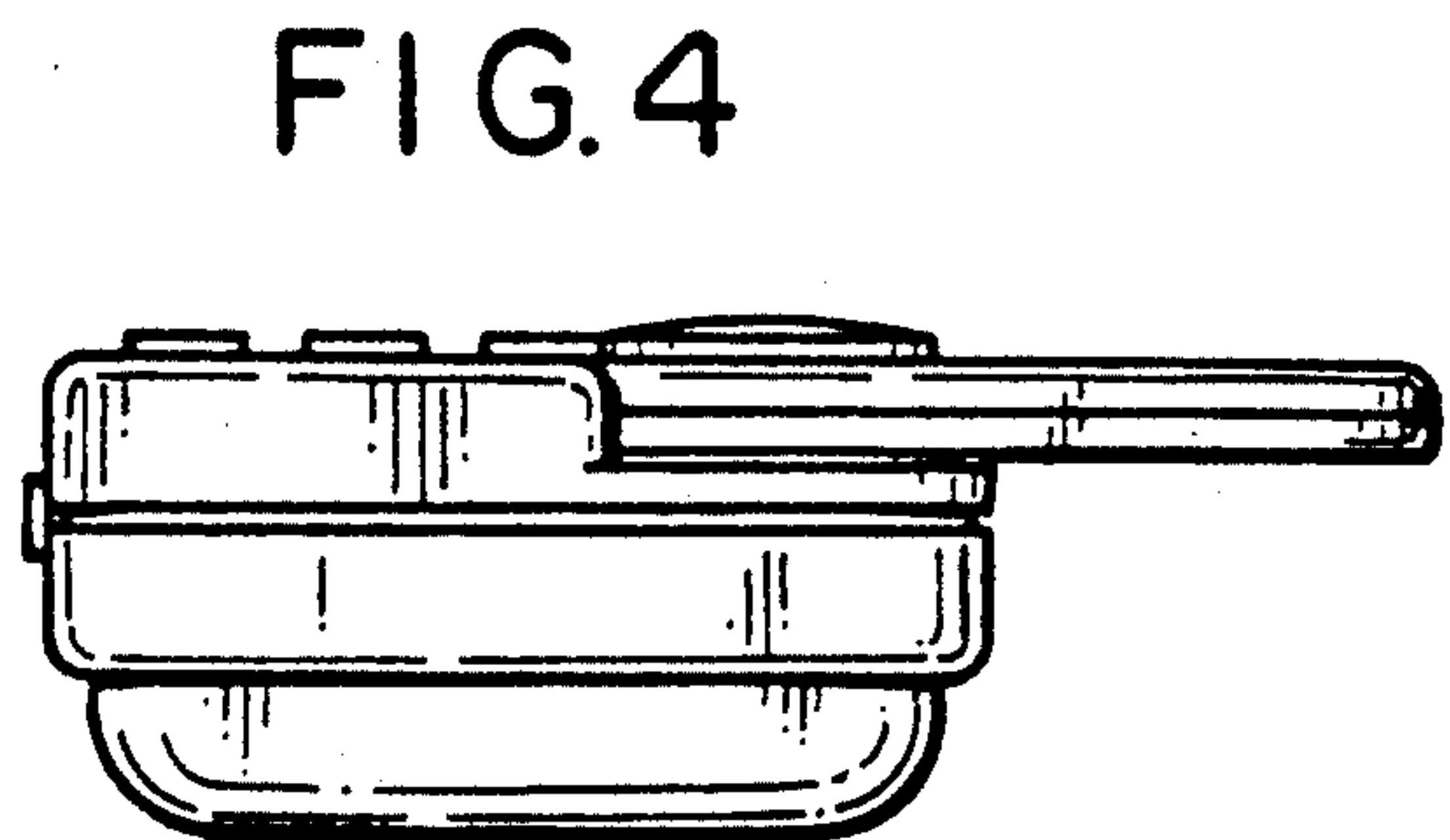
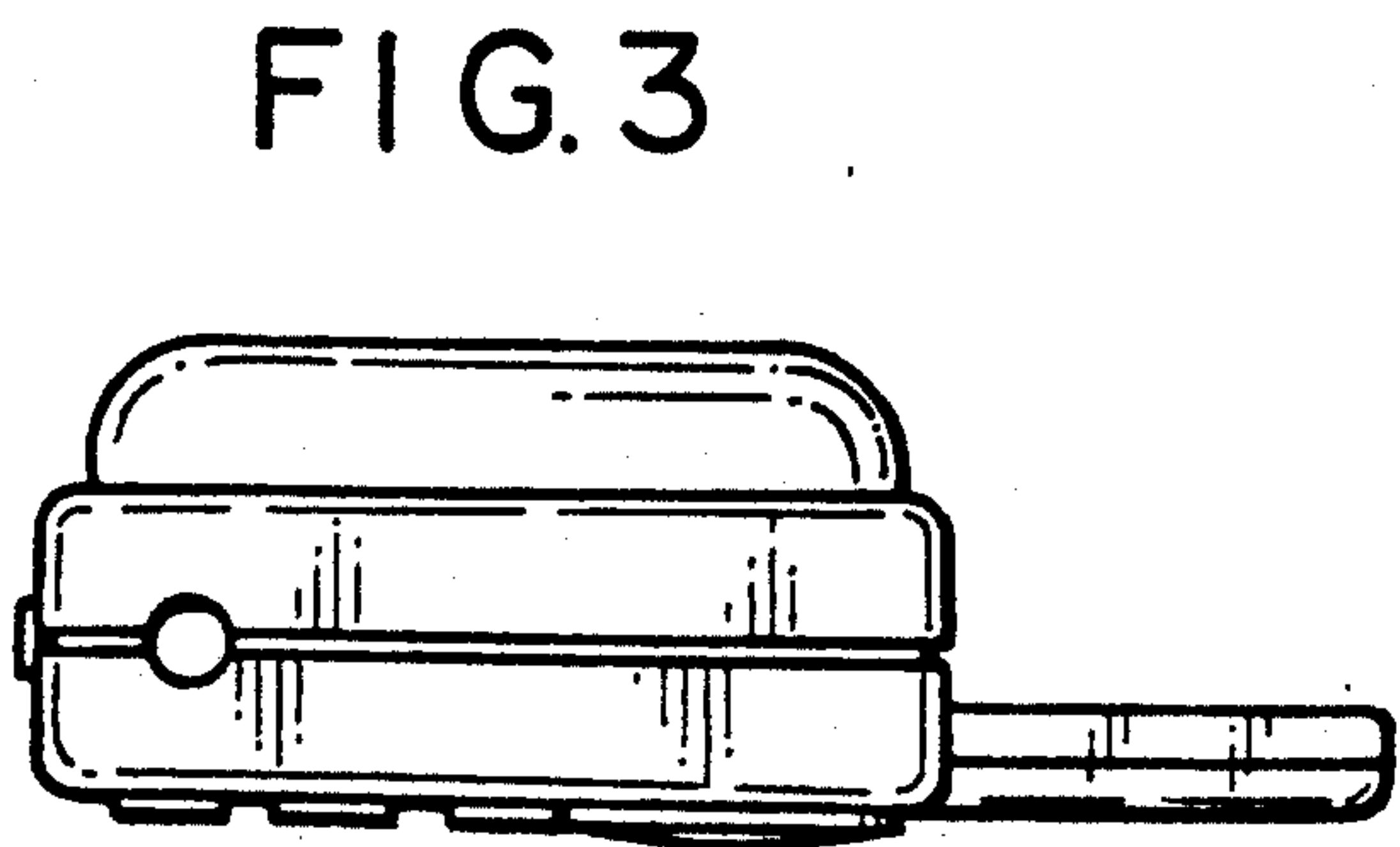
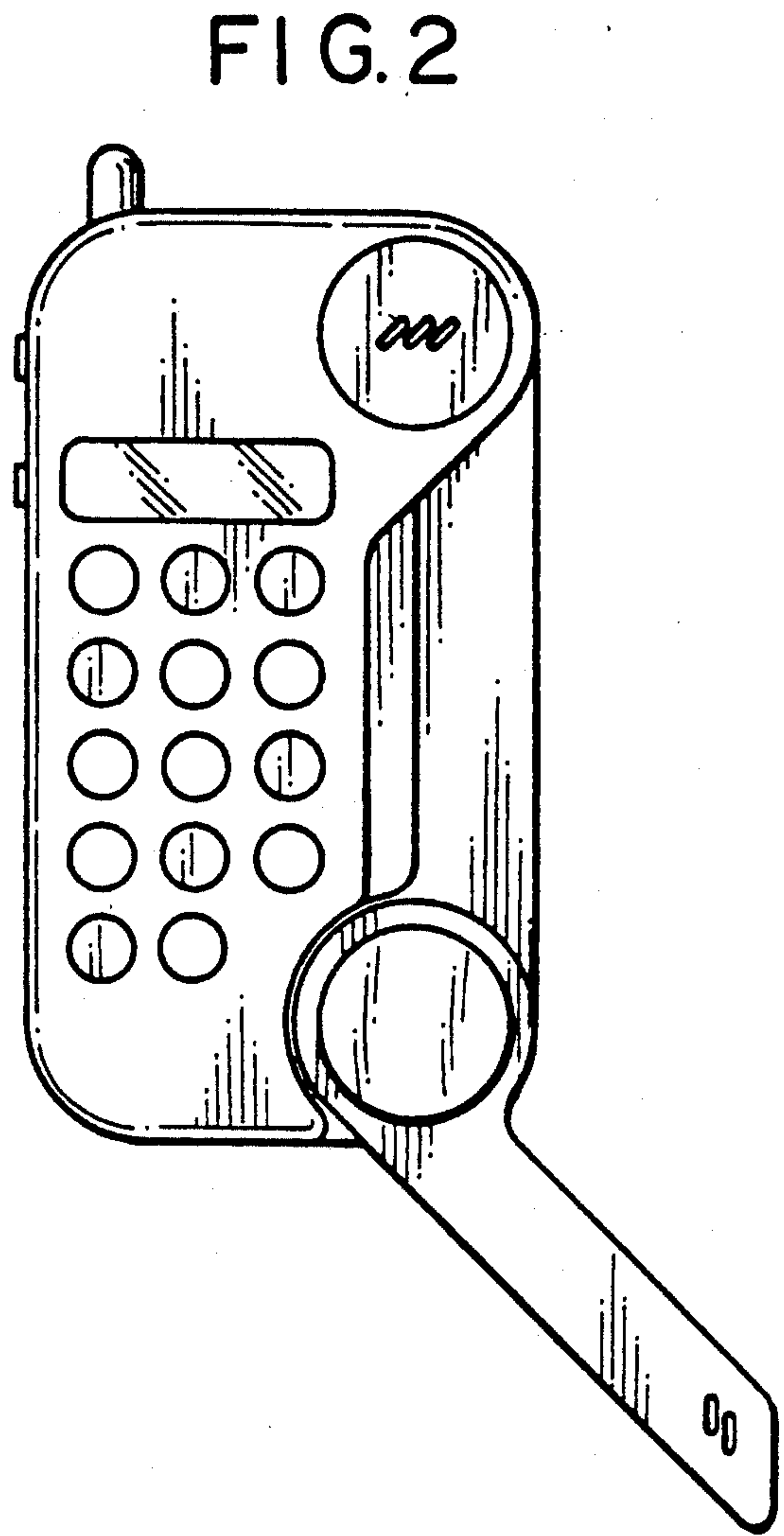
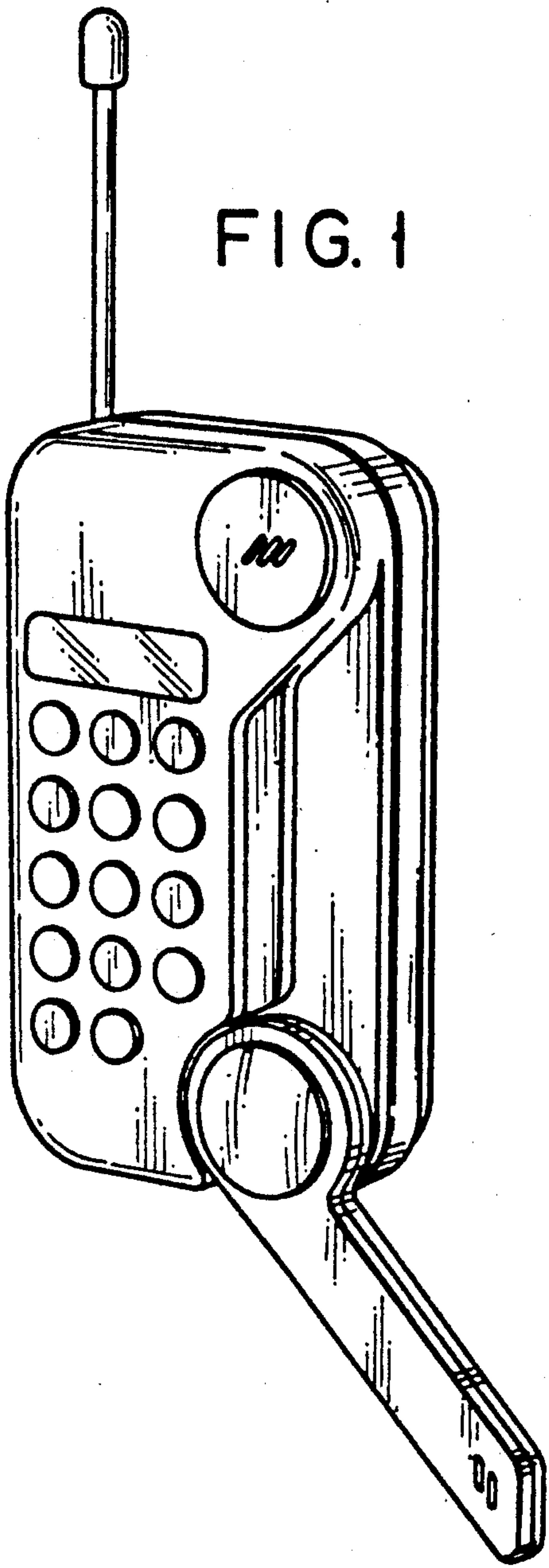


FIG. 5

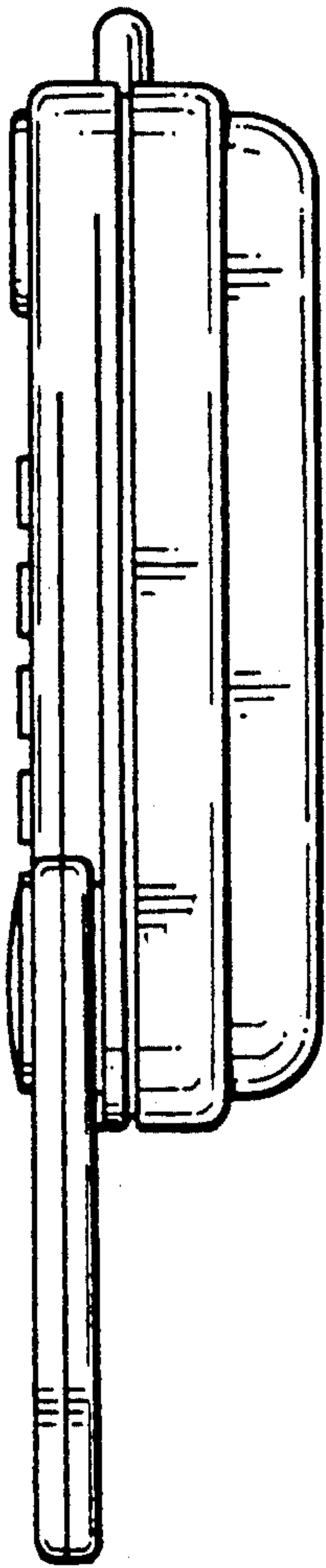


FIG. 6

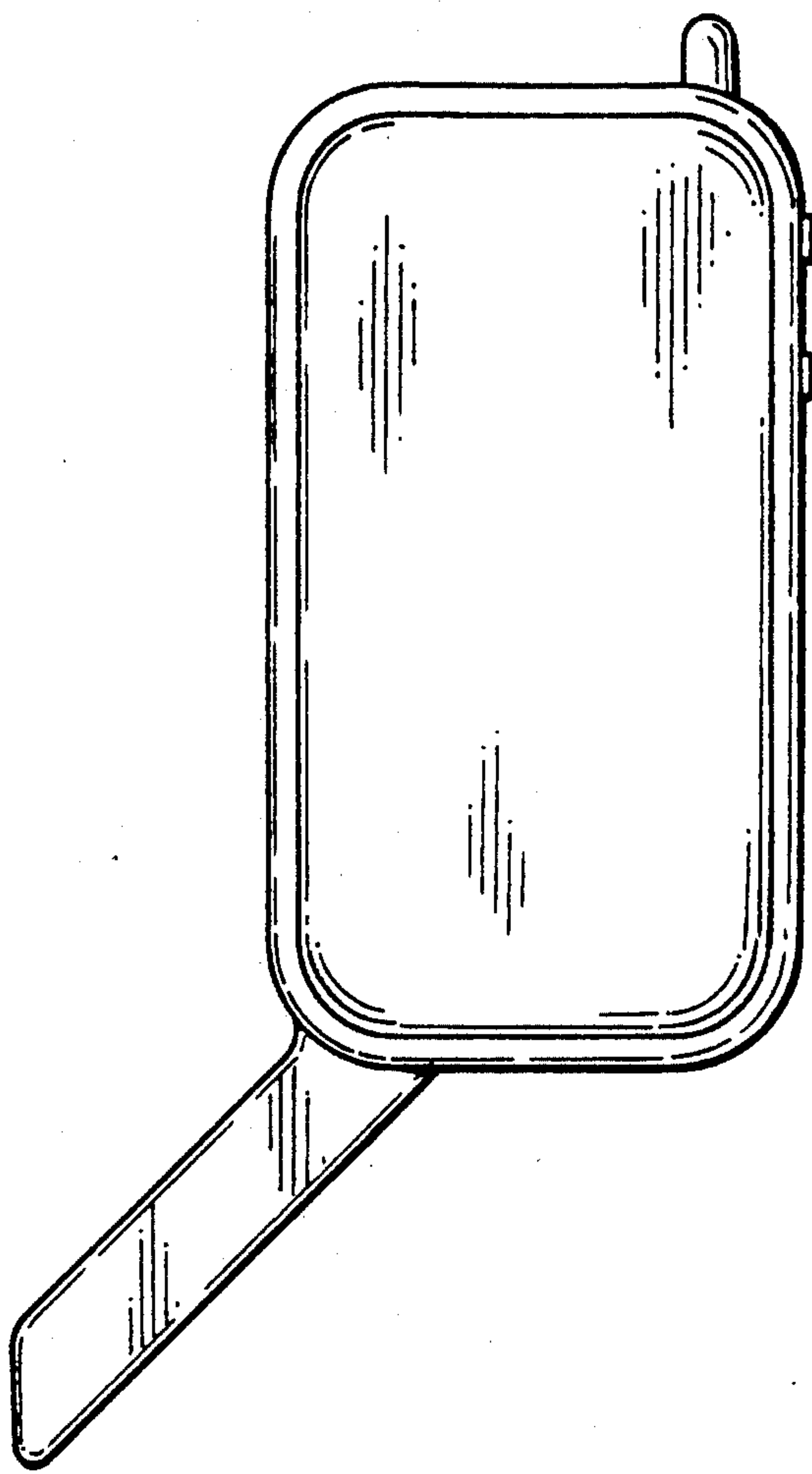


FIG. 7

