

[54] TRIPOD MOUNTED COMPUTER

[75] Inventors: Eugene J. Takach, Jr., Lake Zurich; Charles H. Culp, Mundelein, both of Ill.

[73] Assignee: Honeywell Inc.

[*] Notice: The portion of the term of this patent subsequent to Jun. 12, 2003 has been disclaimed.

[**] Term: 14 Years

[21] Appl. No.: 42,391

[22] Filed: Apr. 24, 1987

[52] U.S. Cl. D14/106

[58] Field of Search D14/100, 105, 106, 107, D14/113, 114, 115; D18/1, 7, 11, 12; 340/700, 706, 711, 712; 341/22, 23; 364/706-710; 312/198, 208; 235/145 A, 145 R; 358/249, 254; 400/689-694; 248/917-924, 168-171, 694

[56] References Cited

U.S. PATENT DOCUMENTS

- D. 284,474 7/1986 Sawada D14/100
- D. 291,442 8/1987 Kurihara D14/106
- 3,480,250 11/1969 Hankins 248/168
- 4,619,427 10/1986 Leymann 248/919

FOREIGN PATENT DOCUMENTS

- 978162 4/1951 France 248/171

OTHER PUBLICATIONS

Computer Products, Sep. 1985, front cover, Panasonic-IBM-Compatible PC #108 Computer Box Group 290.

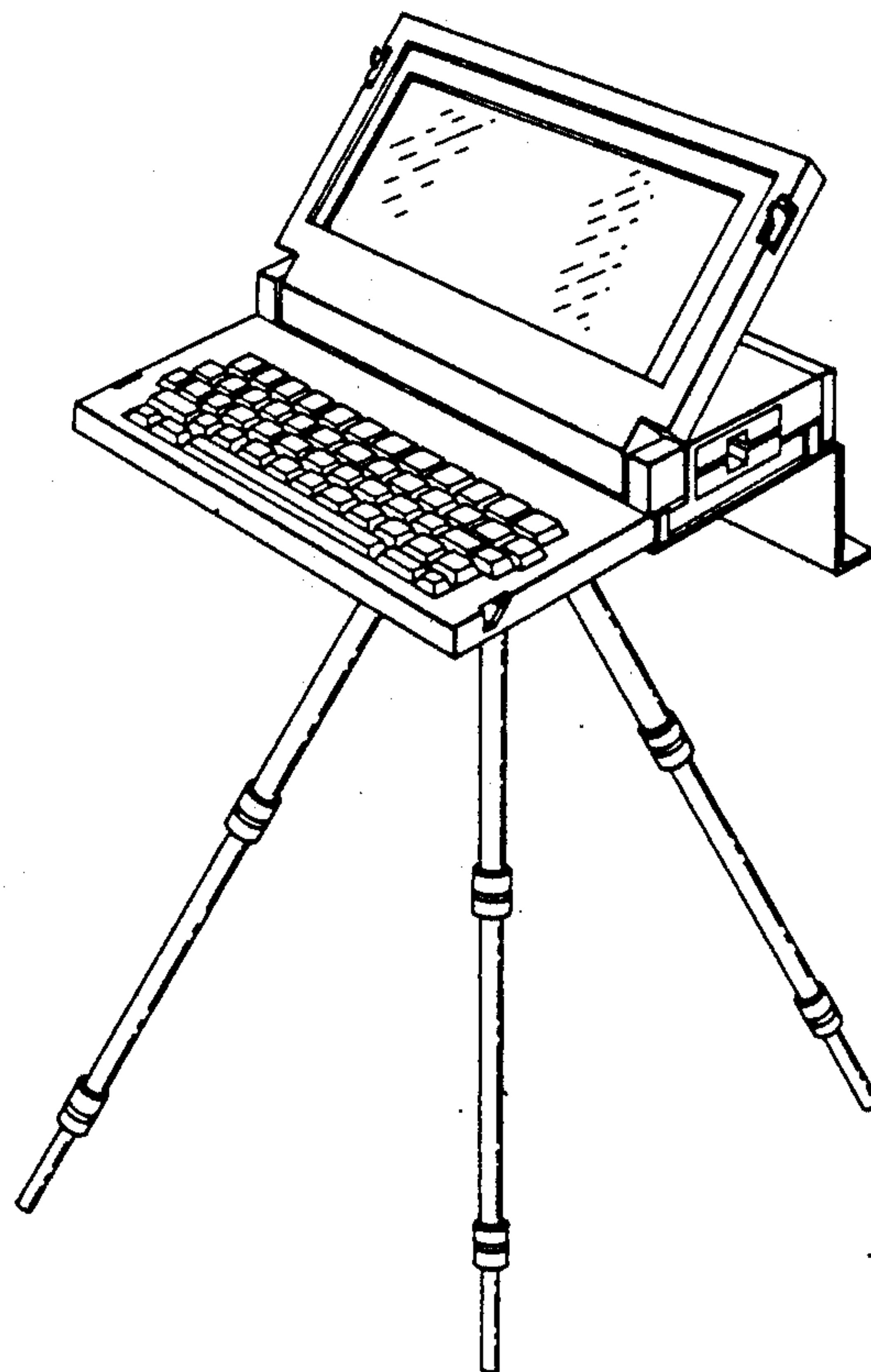
Primary Examiner—Susan J. Lucas
Assistant Examiner—Freda S. Nunn
Attorney, Agent, or Firm—Robert B. Leonard; Donald J. Lenkszus

CLAIM

[57] The ornamental design for a tripod mounted computer, as shown and described.

DESCRIPTION

FIG. 1 is a top plan view of a tripod mounted computer showing our new design;
 FIG. 2 is a front elevational view thereof;
 FIG. 3 is a rear elevational view;
 FIG. 4 is a bottom plan view thereof on a reduced scale;
 FIG. 5 is a right side elevational view thereof on a reduced scale;
 FIG. 6 is a left side elevational view thereof on a reduced scale;
 FIG. 7 is a top front right side perspective view thereof;
 FIG. 8 is a top rear left side perspective view thereof on a reduced scale;
 FIG. 9 is a right side elevational view thereof, the display being shown in the closed position and the power supply in the raised position;
 FIG. 10 is a right side elevational view of a second embodiment of our design.



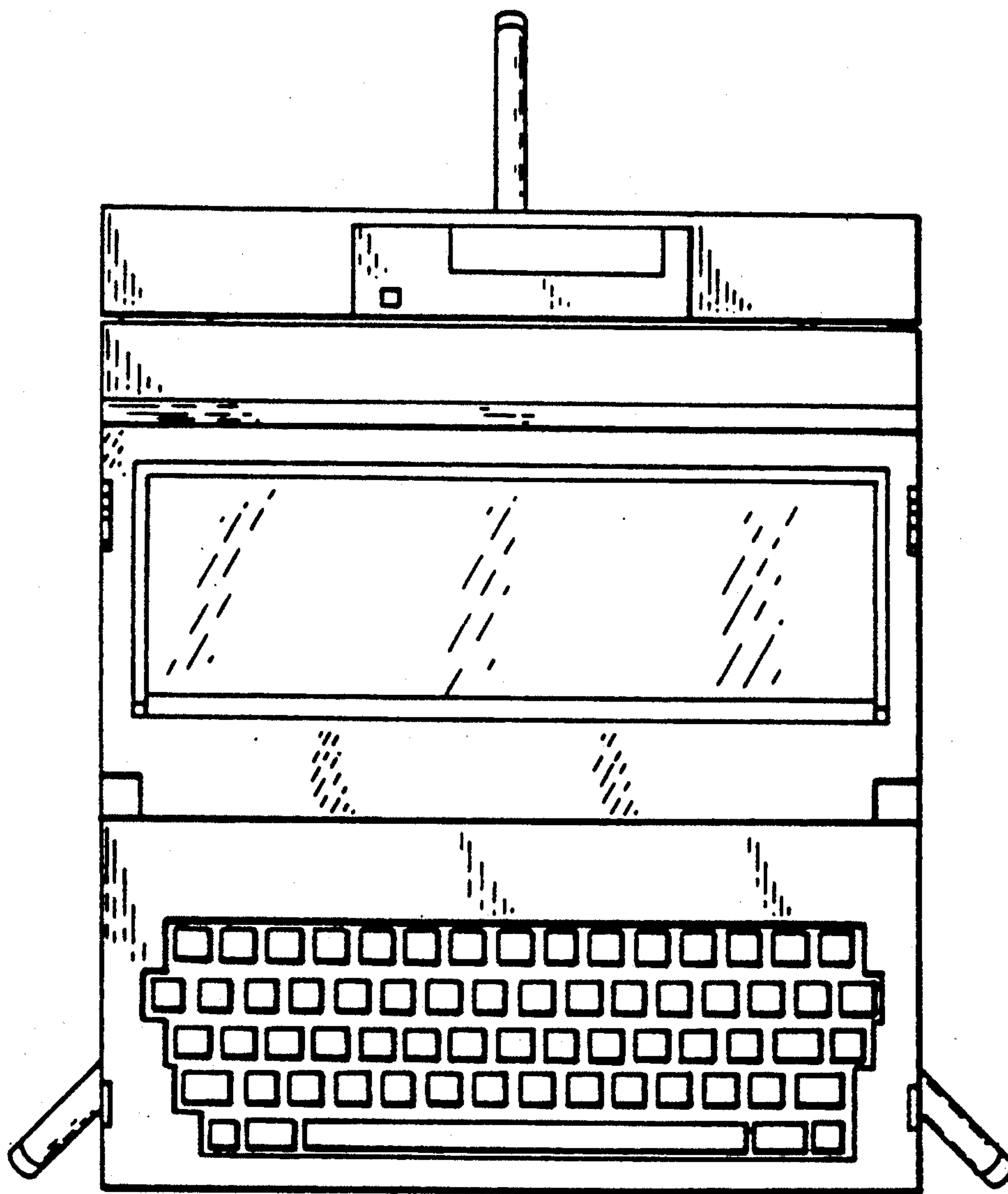


Fig. 1

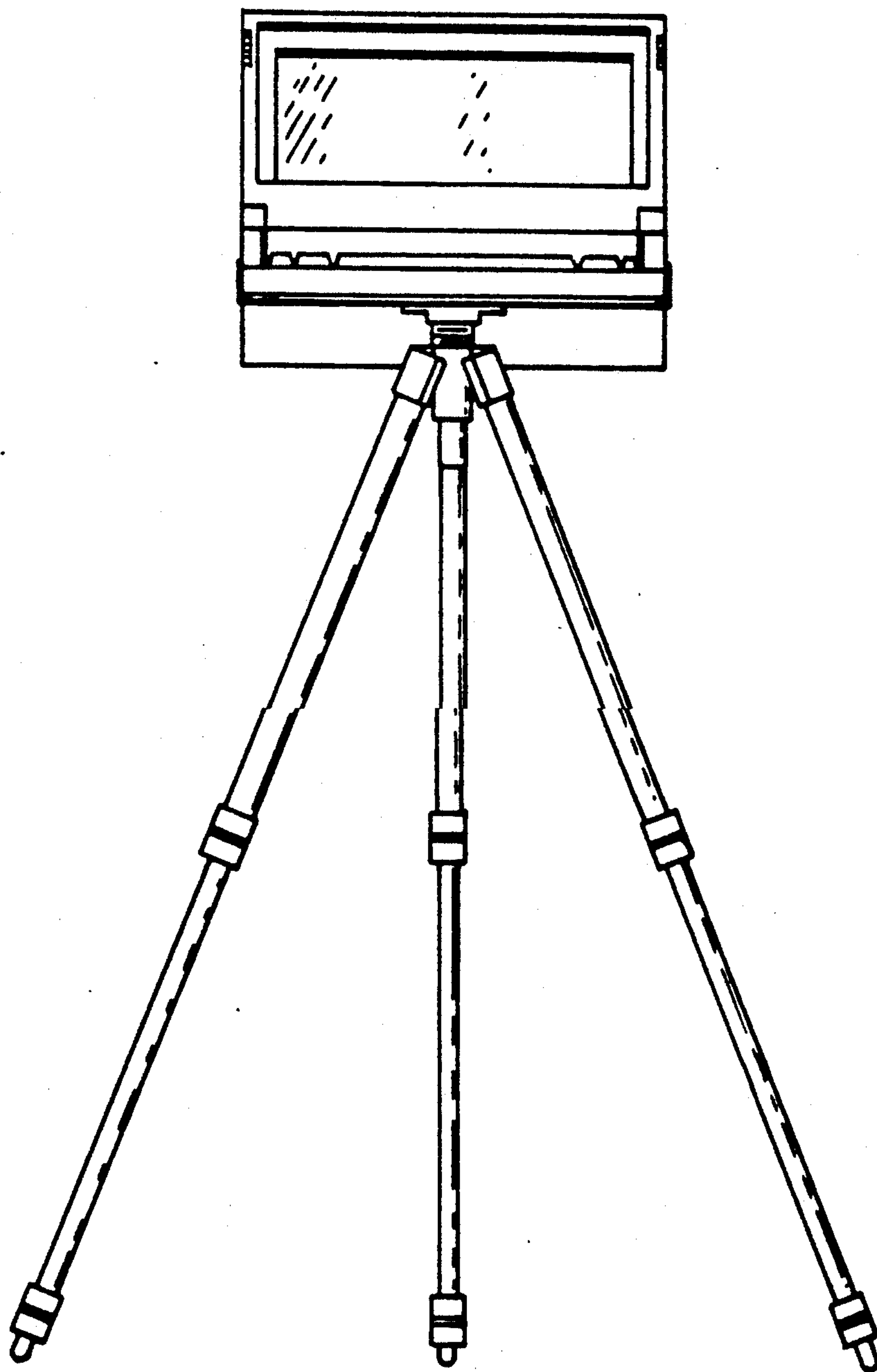


Fig. 2

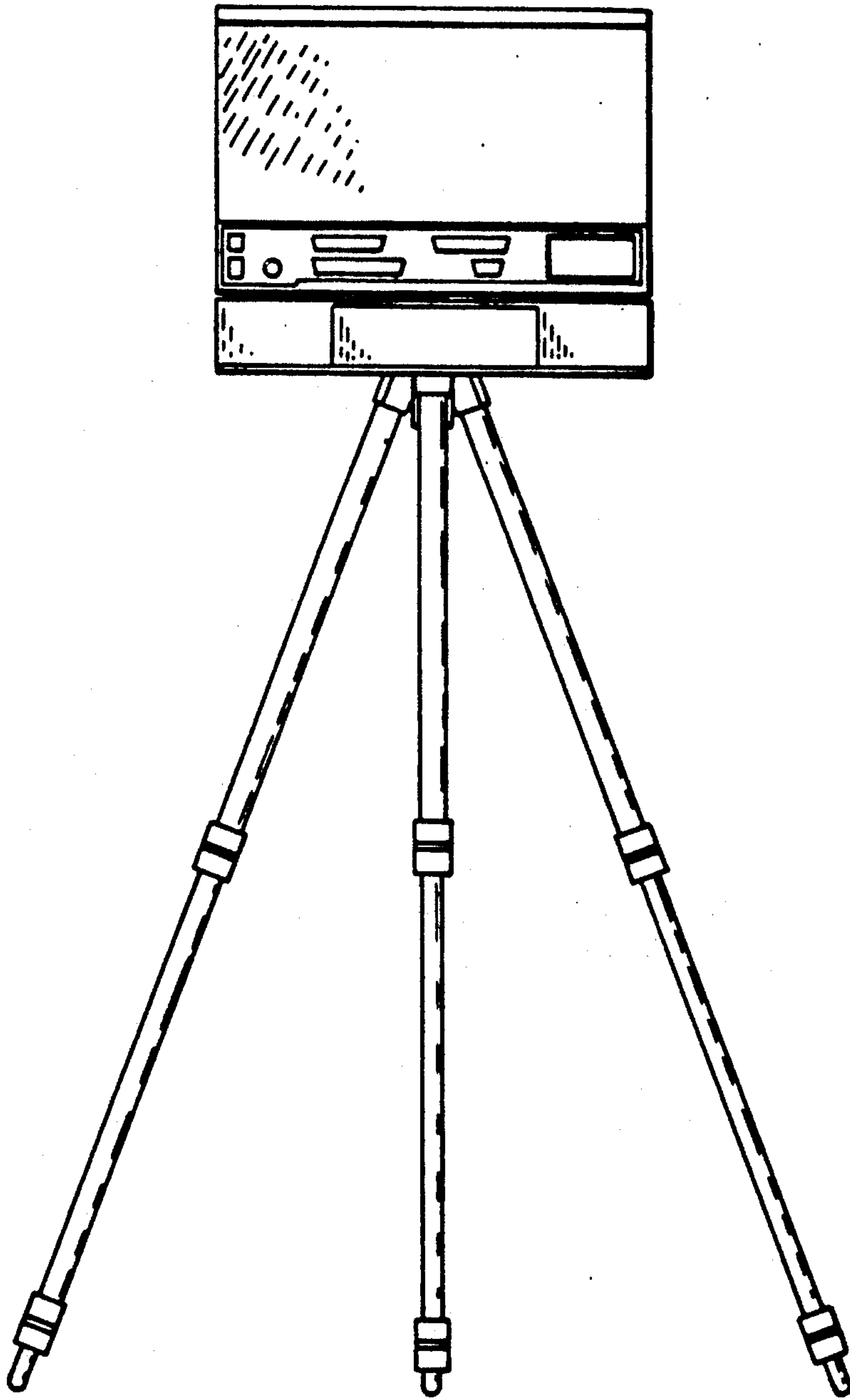


Fig. 3

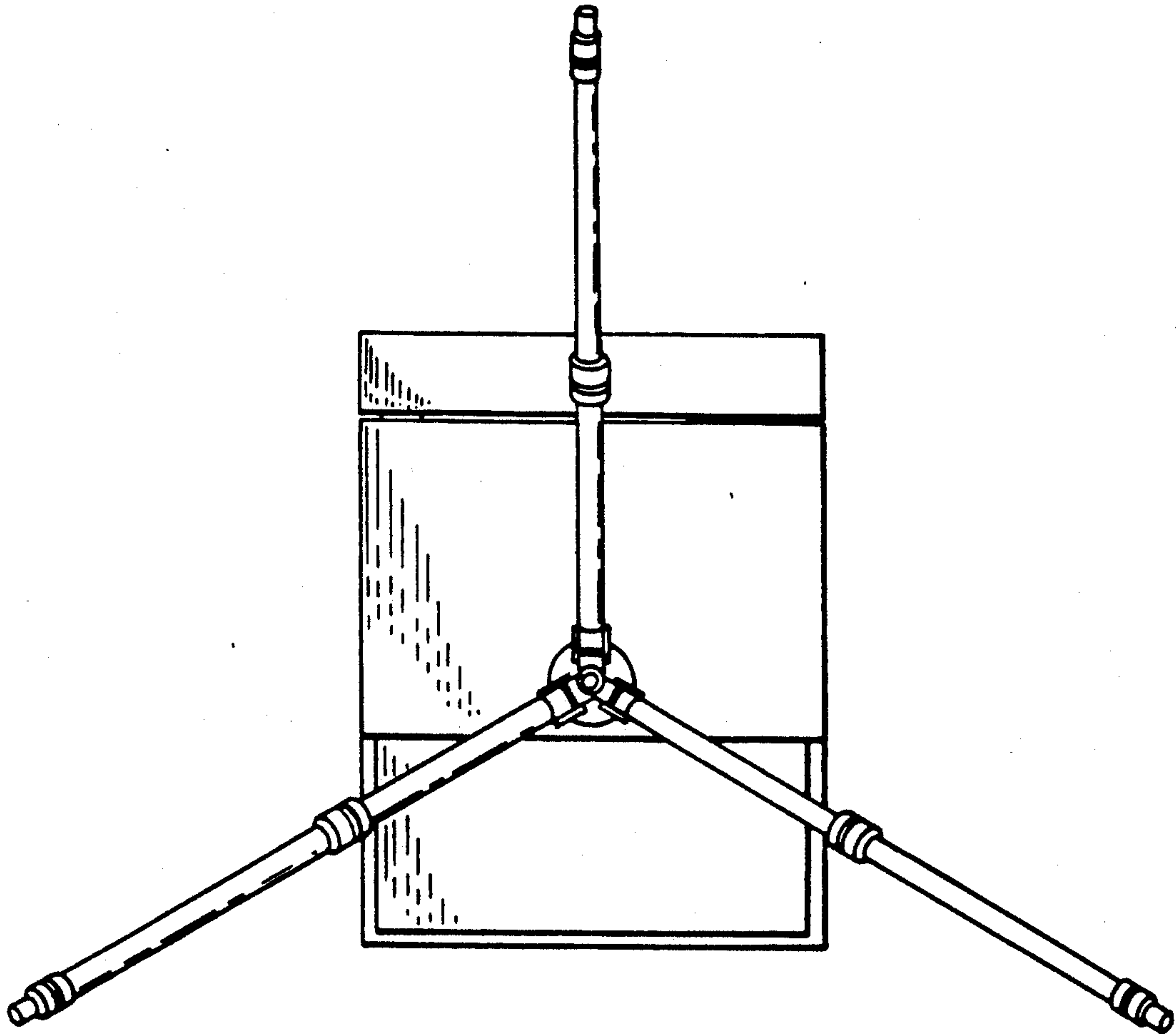


Fig. 4

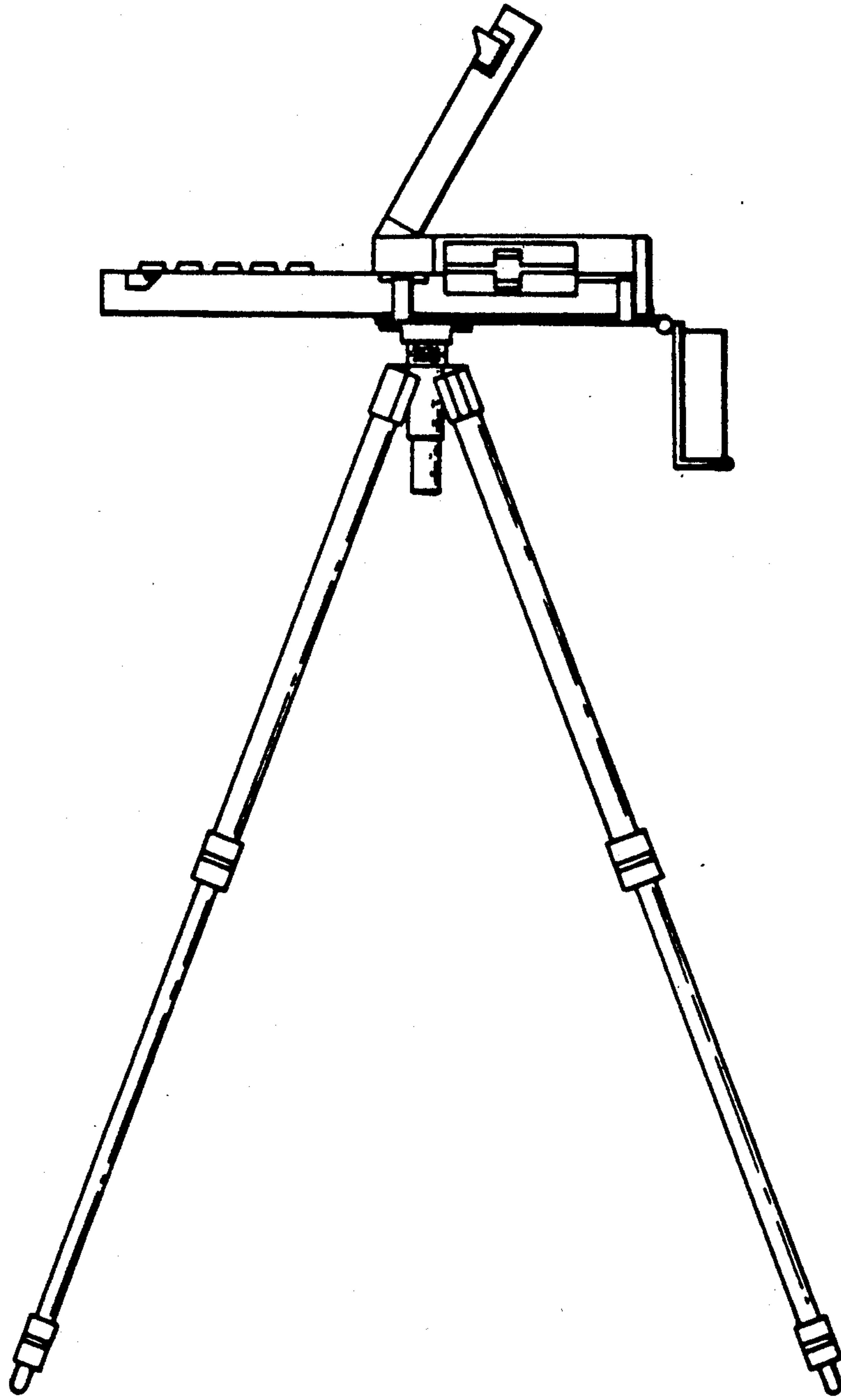


Fig. 5

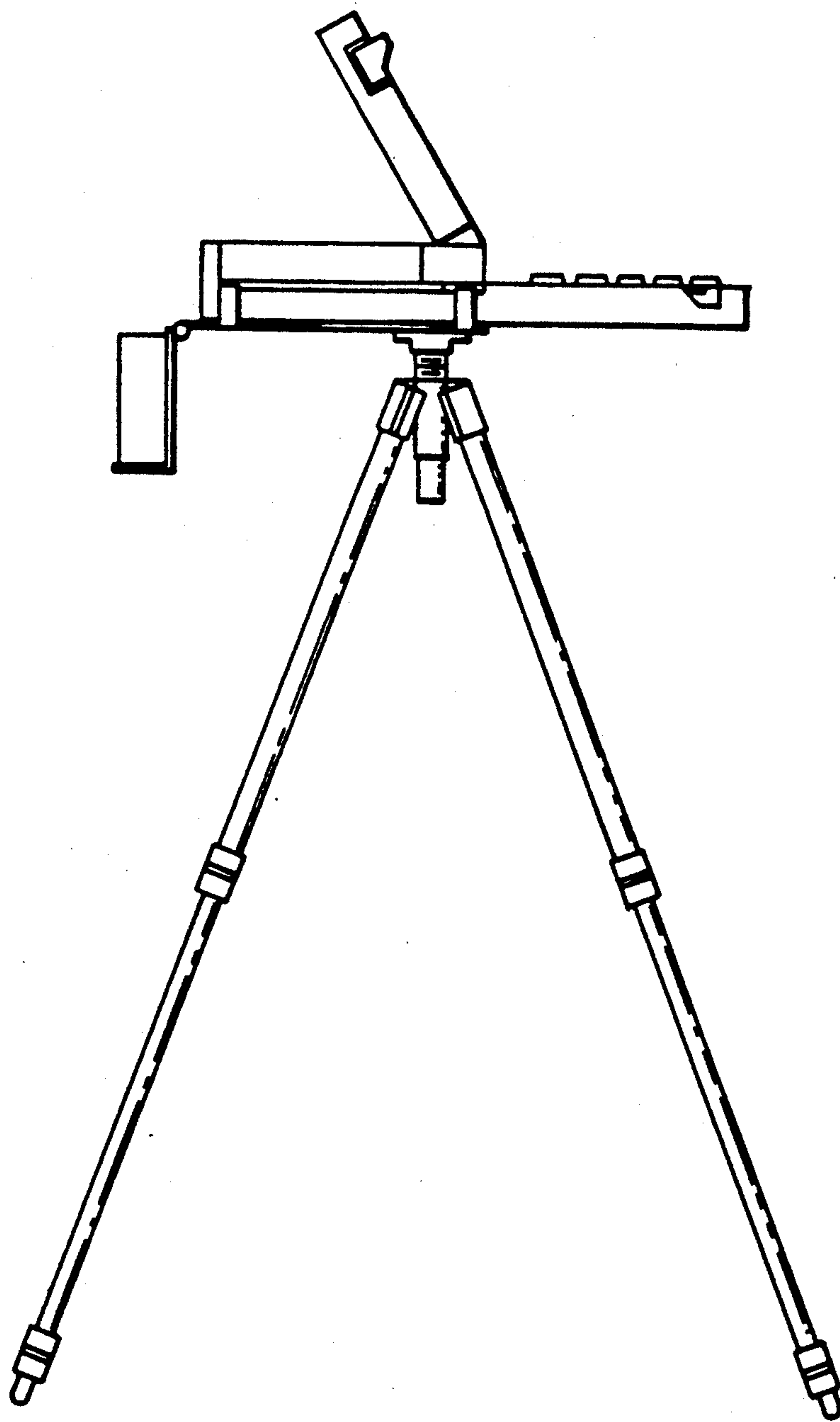


Fig. 6

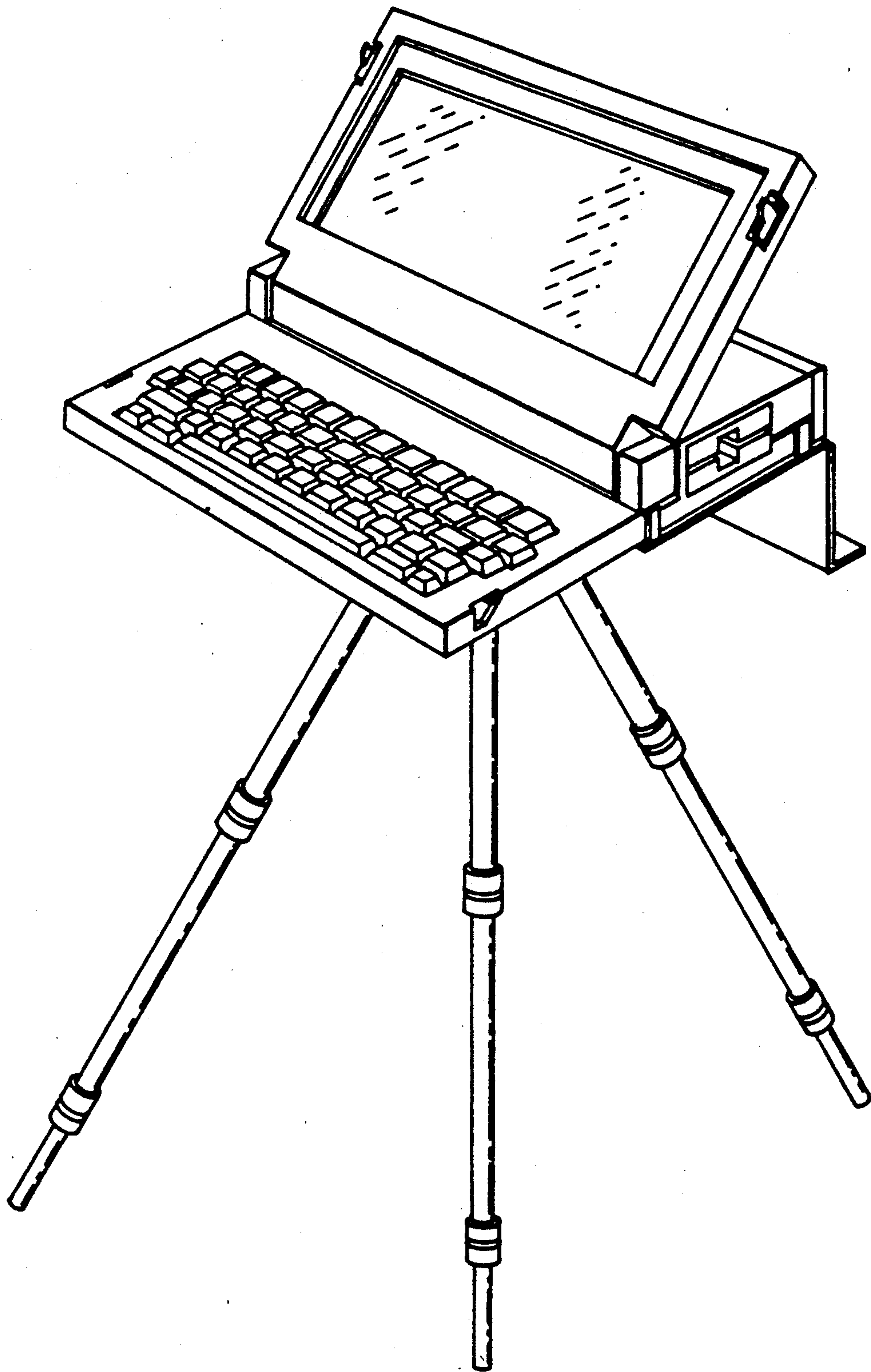


Fig. 7

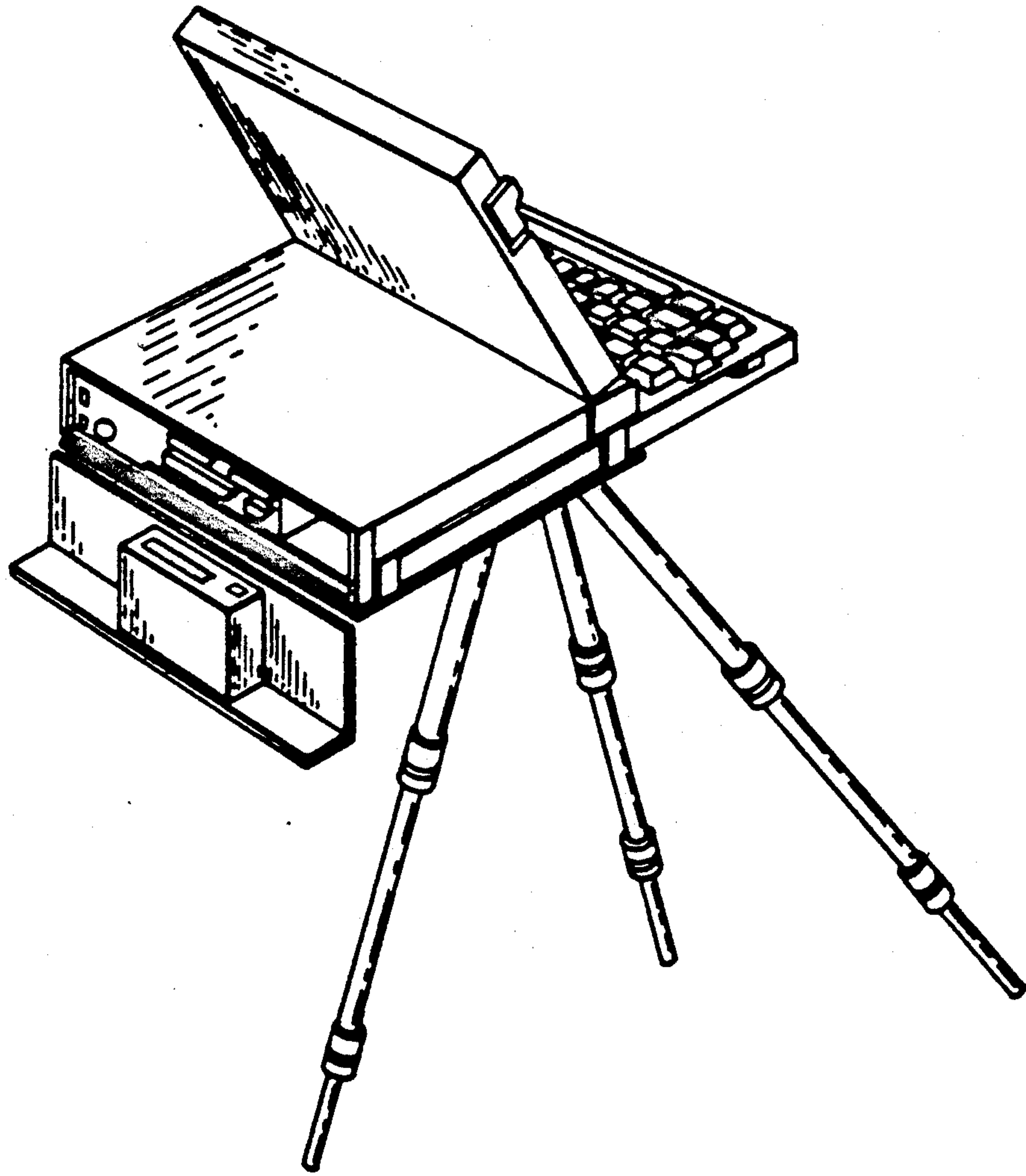


Fig. 8

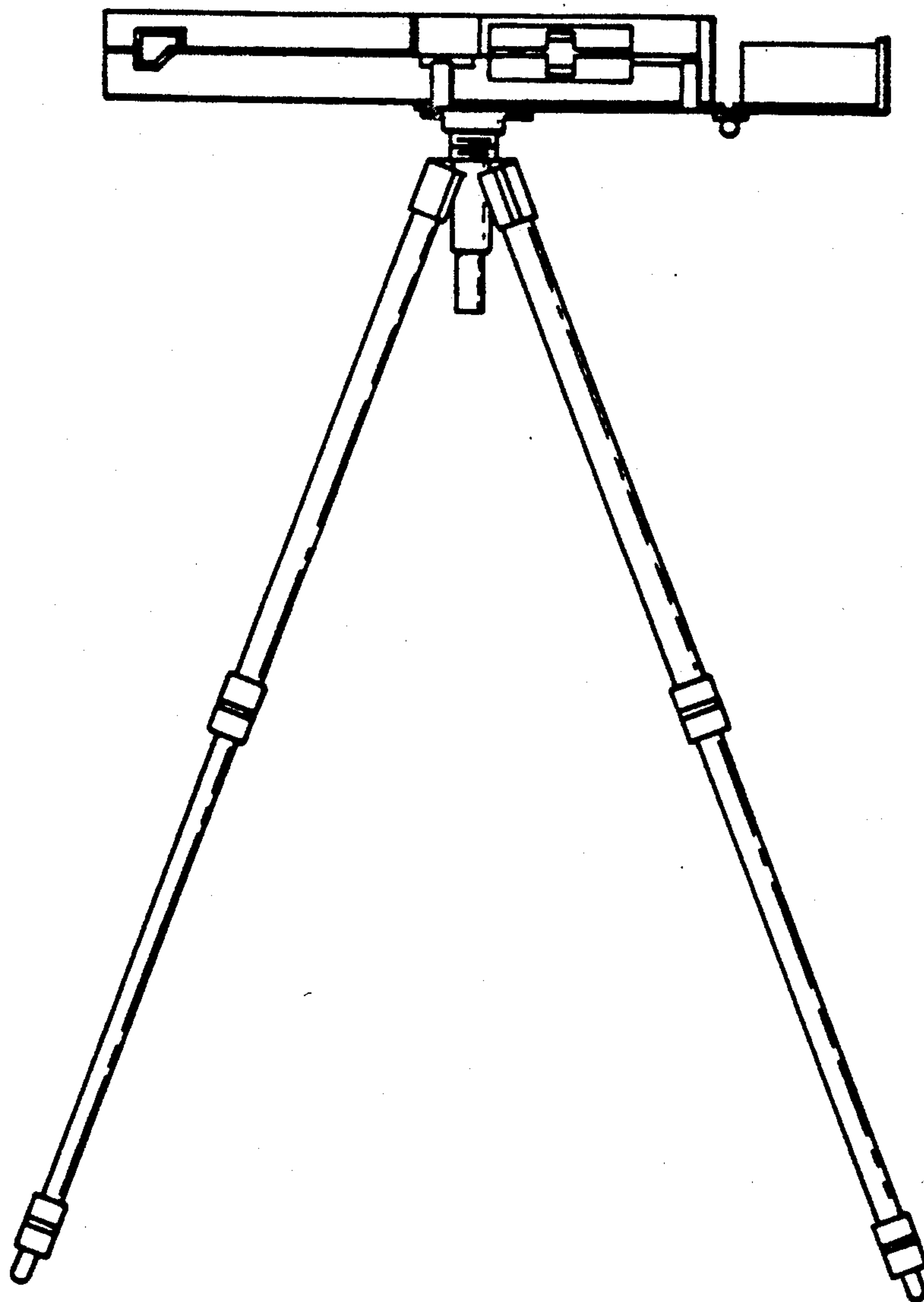


Fig. 9

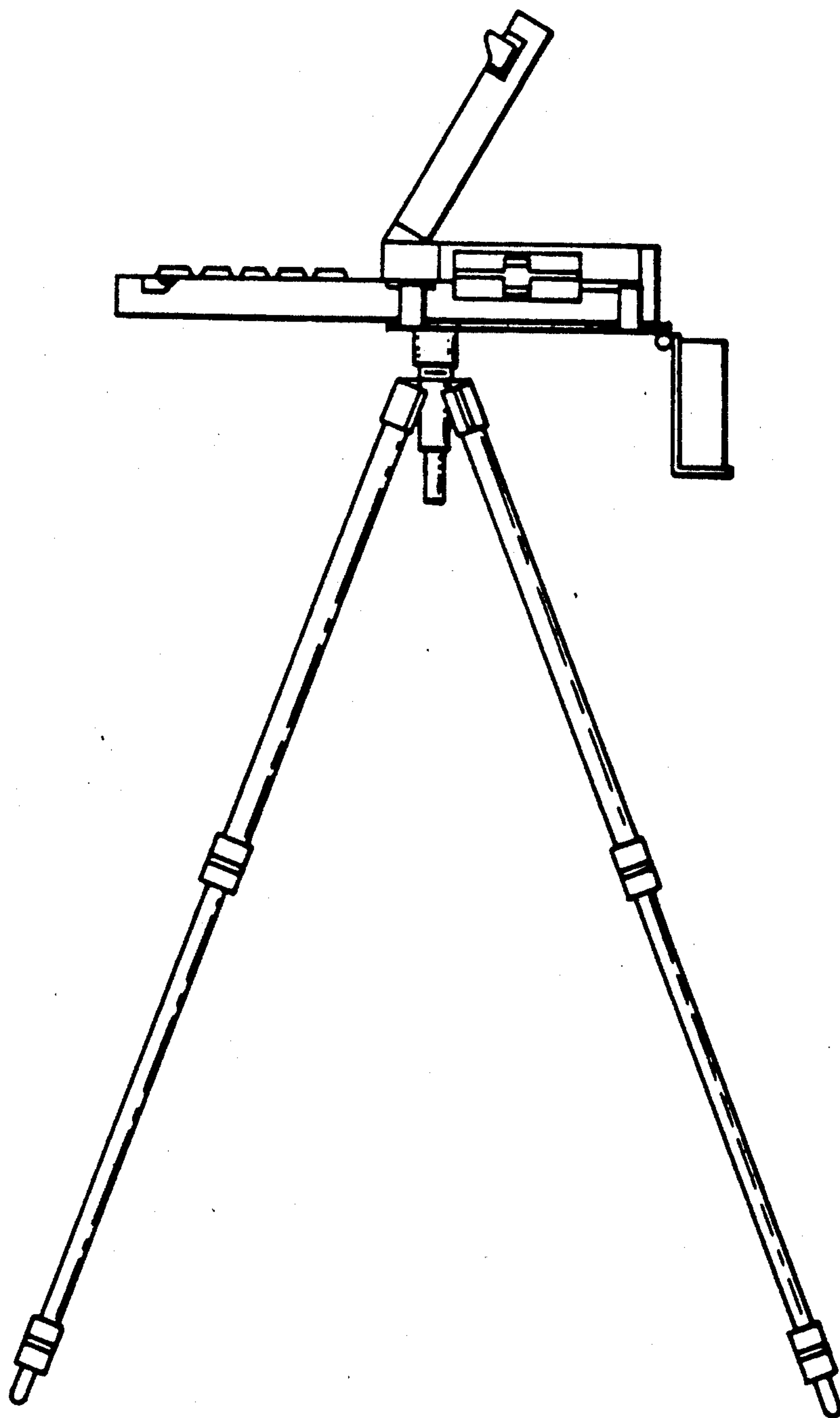


Fig. 10