

[54] POINT OF SALES TERMINAL  
 [75] Inventor: Masahiro Nogawa, Kawasaki, Japan  
 [73] Assignee: Nitsuko Corporation, Kawasaki, Japan  
 [\*\*] Term: 14 Years  
 [21] Appl. No.: 221,194  
 [22] Filed: Jul. 19, 1988

[30] Foreign Application Priority Data  
 Jan. 19, 1988 [JP] Japan ..... 63-1369  
 [52] U.S. Cl. .... D14/105; D18/12  
 [58] Field of Search ..... D14/100, 105, 107;  
 235/380-382, 379, 375; 902/39, 25, 8; 364/405;  
 D18/4, 12

[56] References Cited  
 U.S. PATENT DOCUMENTS  
 D. 286,654 11/1986 Picard ..... D14/100 X

D. 293,245 12/1987 Hujimori et al. .... D14/100  
 D. 297,237 8/1988 Long ..... D14/105  
 D. 298,626 11/1988 Stark et al. .... D14/105  
 4,659,914 4/1987 Kondo et al. .... 235/380  
 4,827,113 5/1989 Rikuna ..... 235/379 X

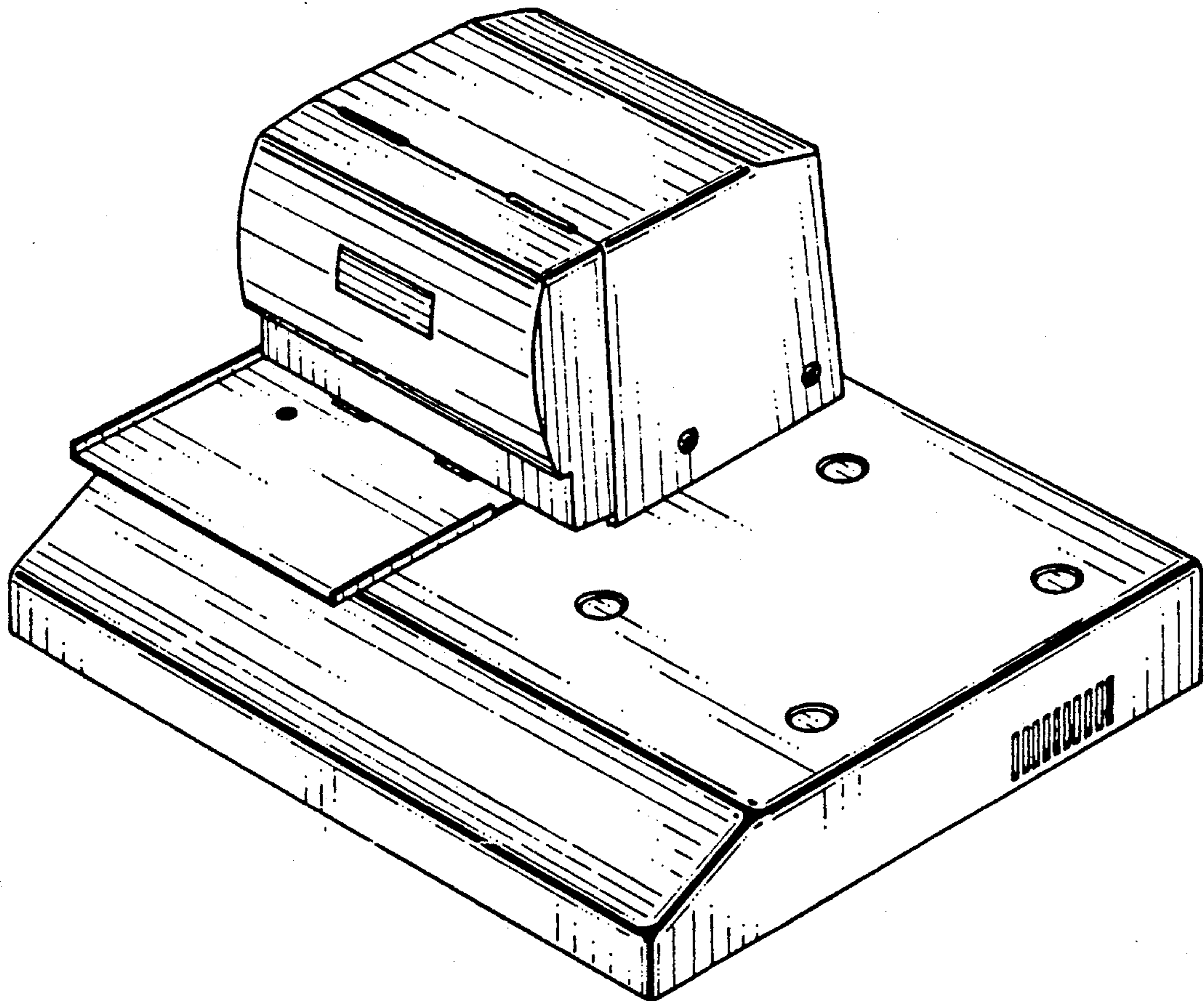
Primary Examiner—Stella Reid  
 Attorney, Agent, or Firm—Ladas & Parry

[57] CLAIM

The ornamental design for a point of sales terminal, as shown and described.

DESCRIPTION

FIG. 1 is a front elevational view of a point of sales terminal, showing my new design;  
 FIG. 2 is a top plan view thereof;  
 FIG. 3 is a rear elevational view thereof;  
 FIG. 4 is a left side elevational view thereof;  
 FIG. 5 is a right side elevational view thereof;  
 FIG. 6 is a bottom plan view thereof; and  
 FIG. 7 is a perspective view thereof.



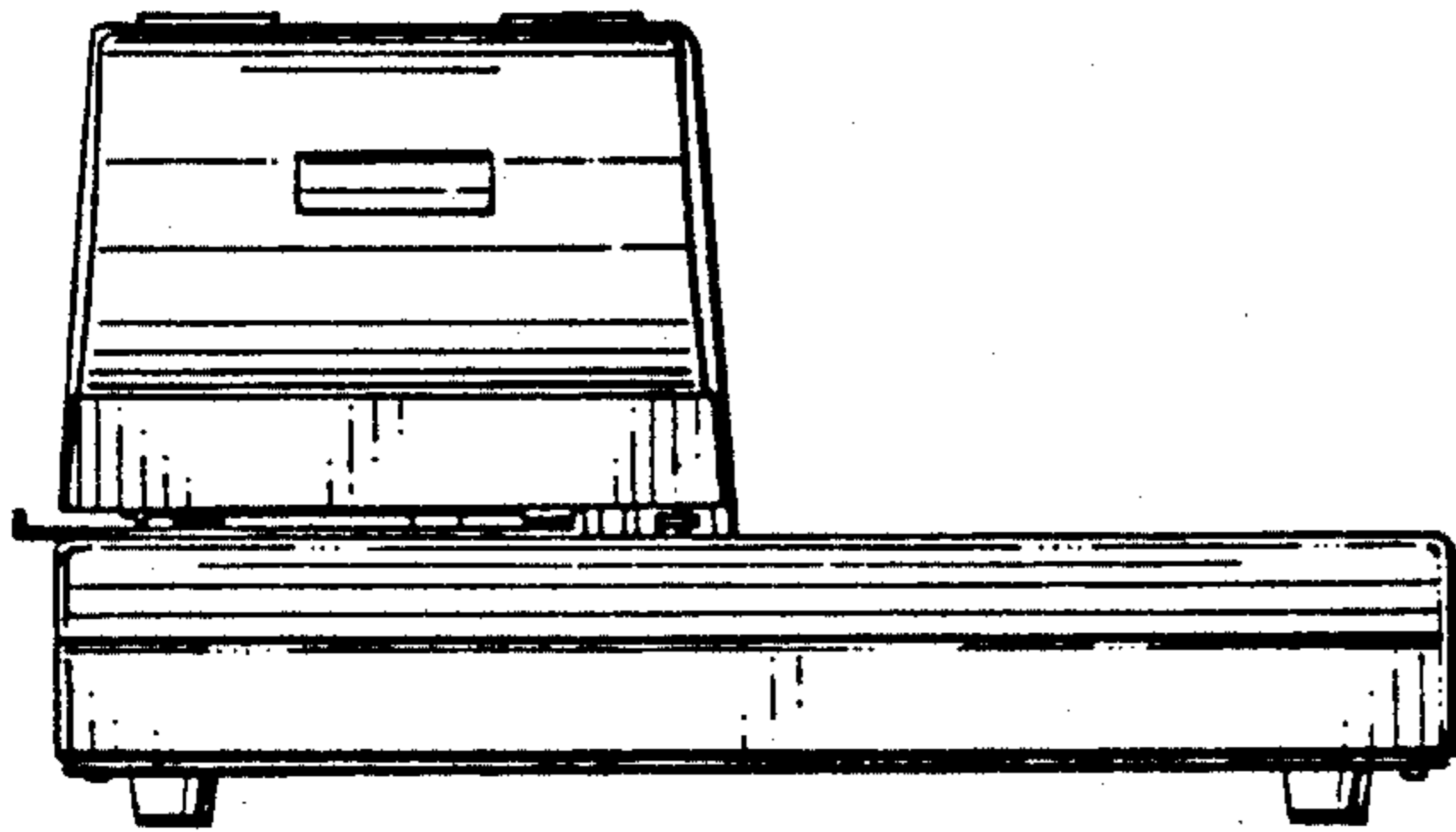


FIG. 1

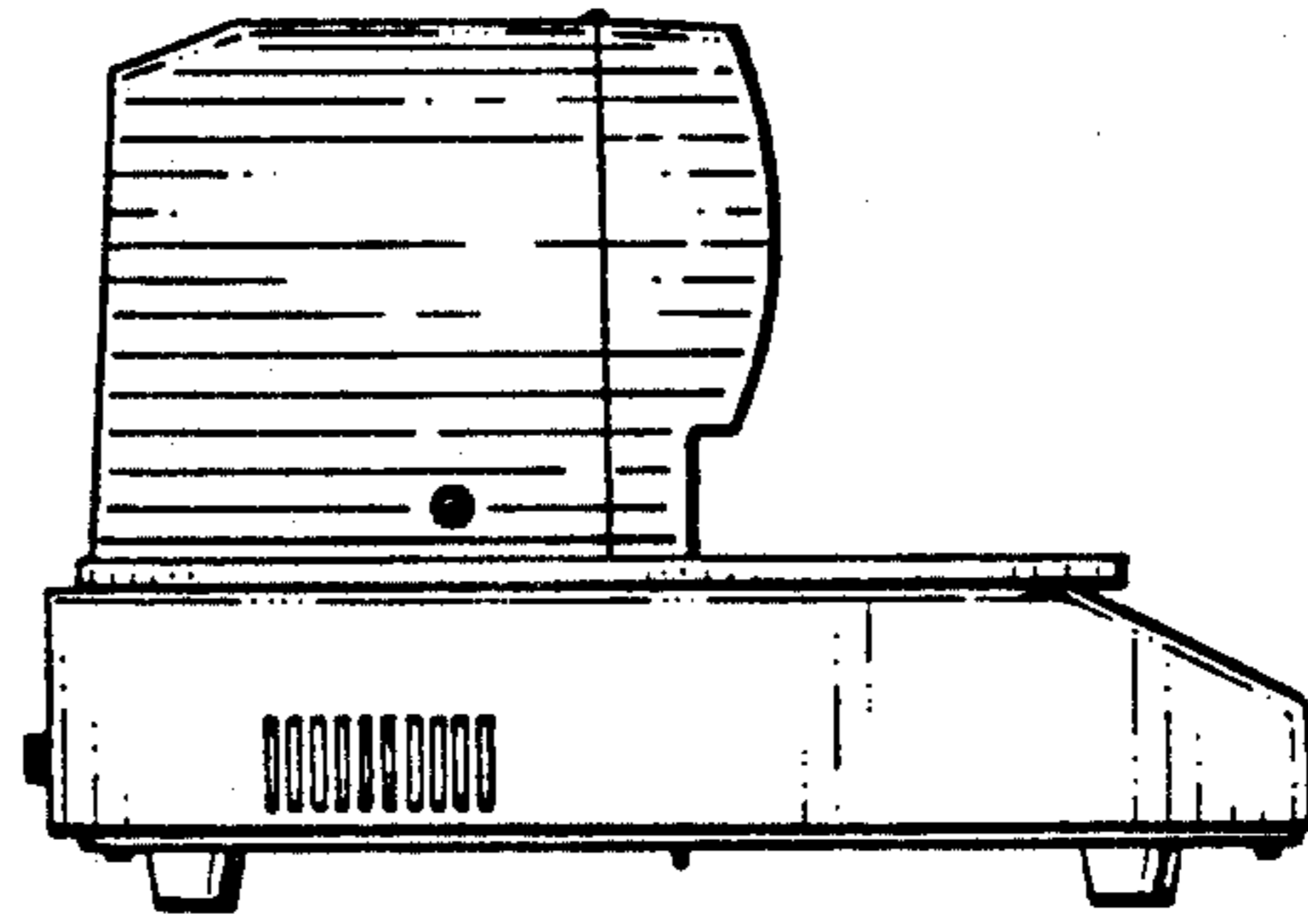


FIG. 4

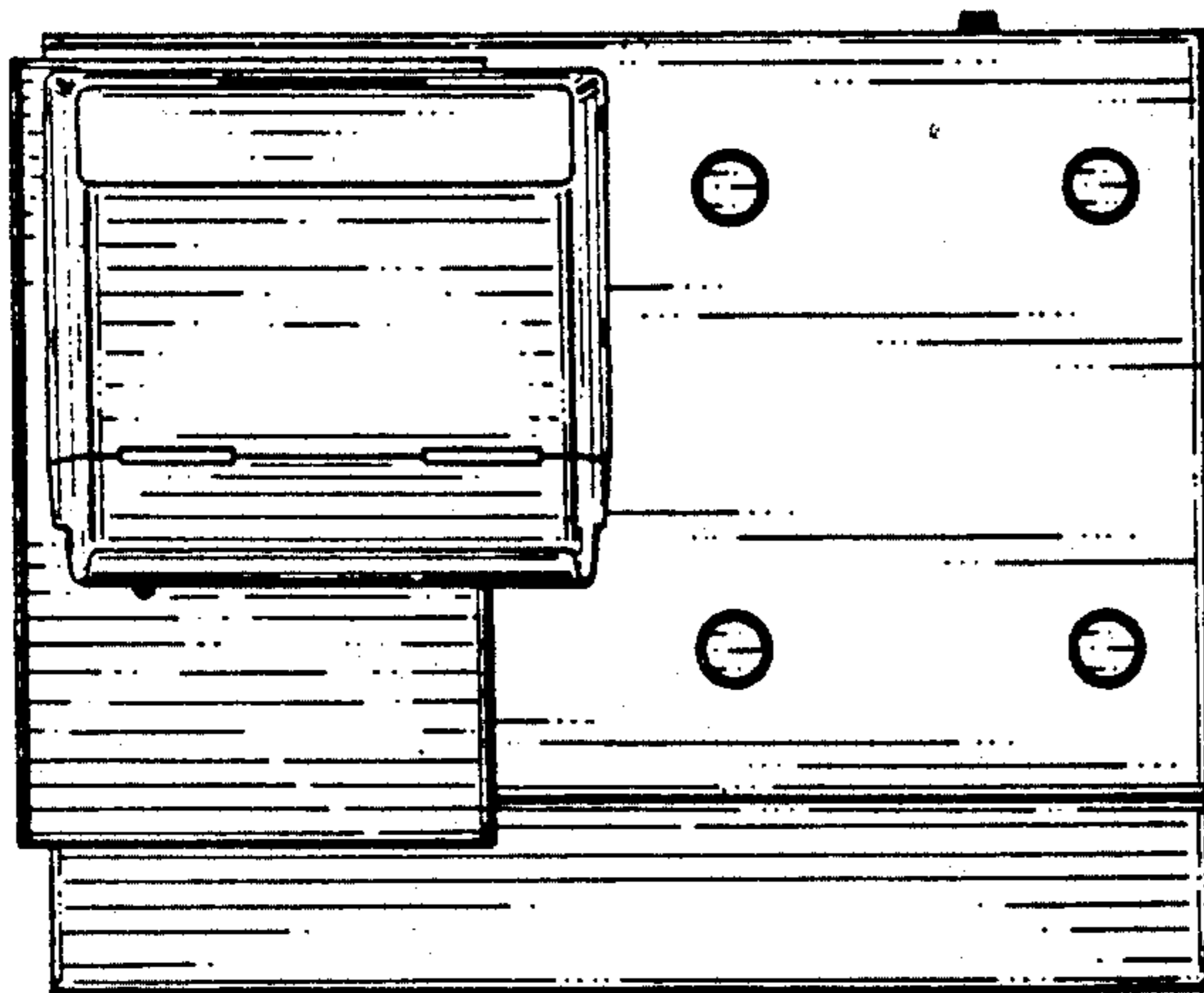


FIG. 2

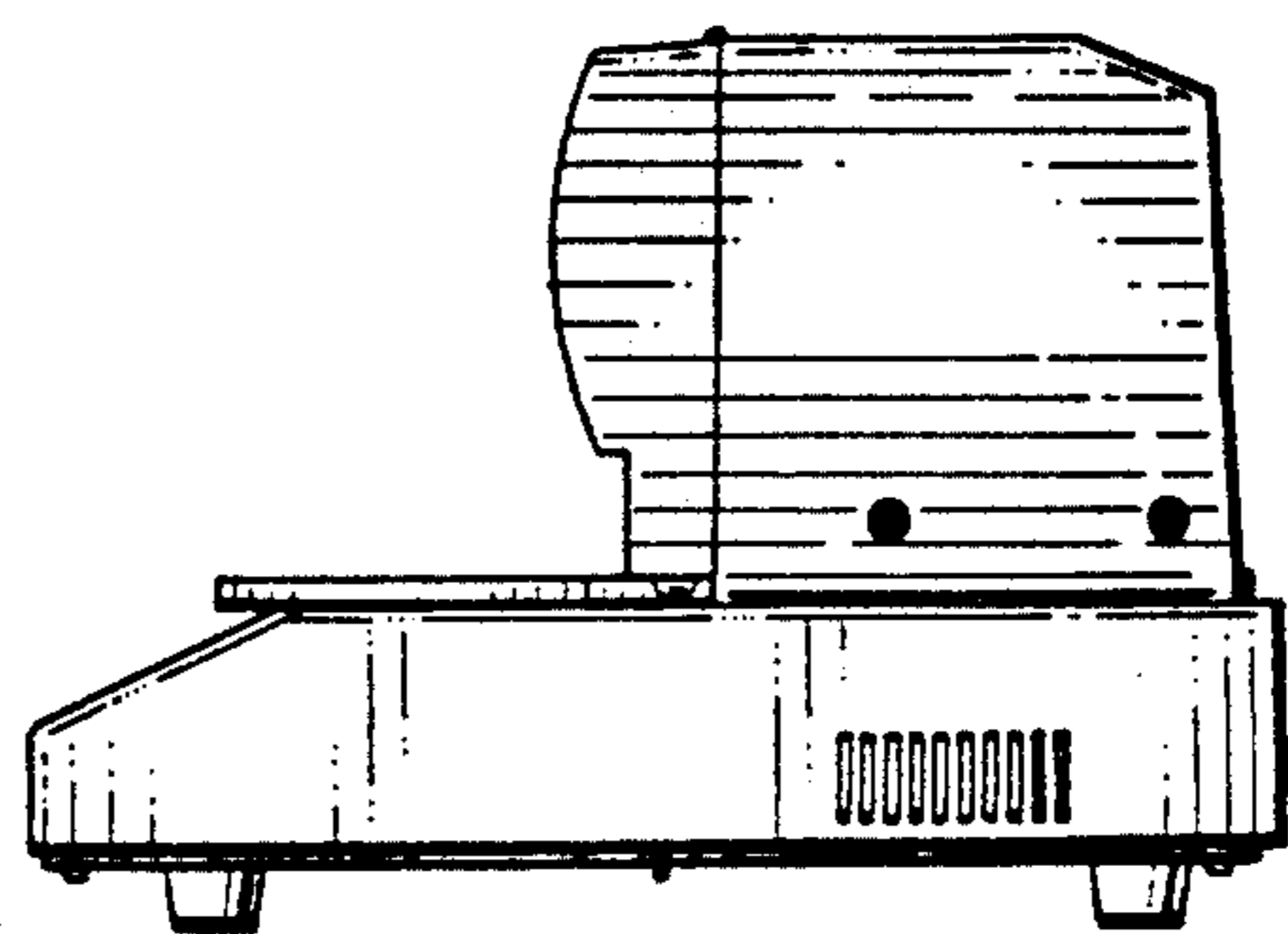


FIG. 5

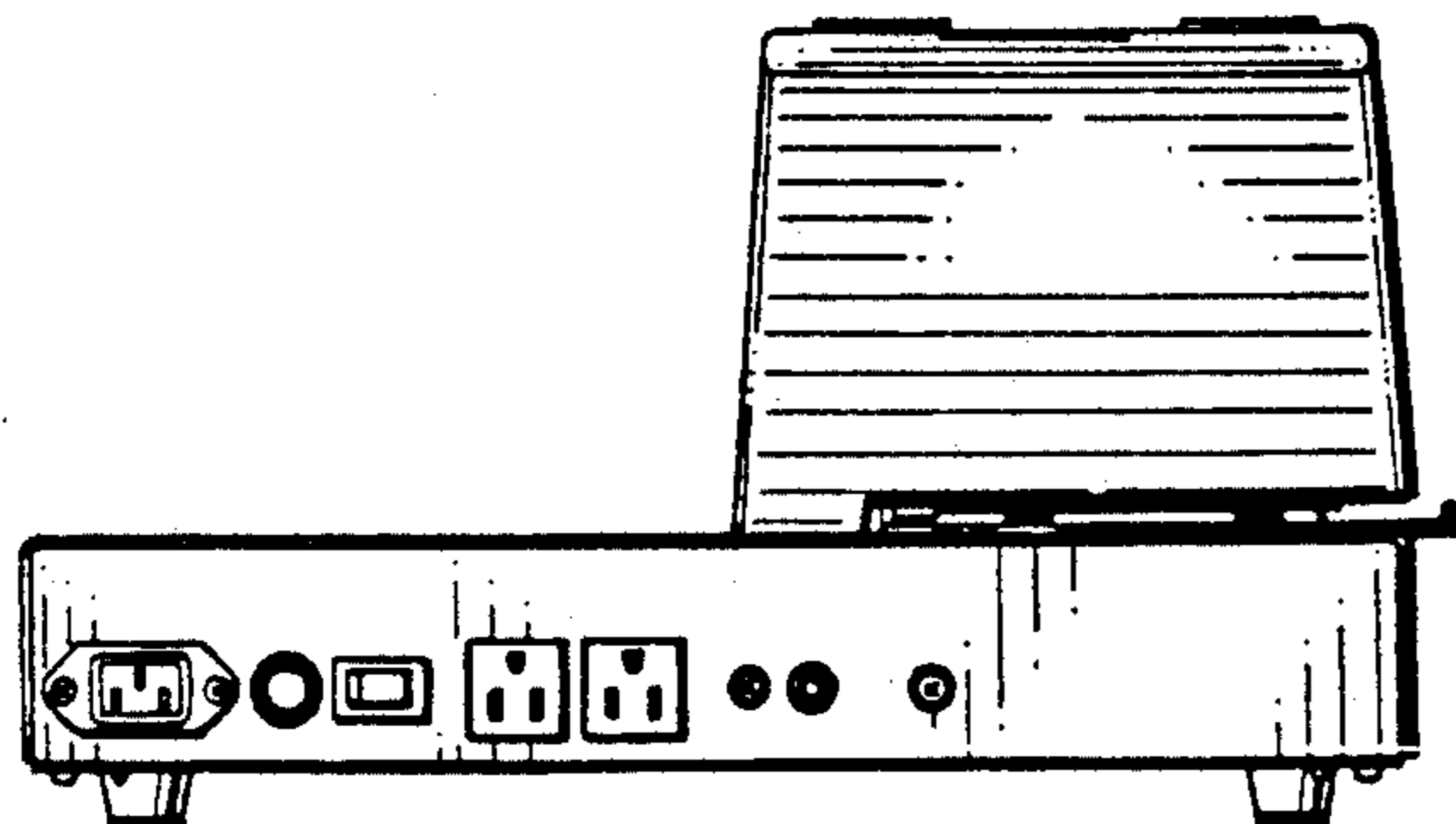


FIG. 3

FIG. 6

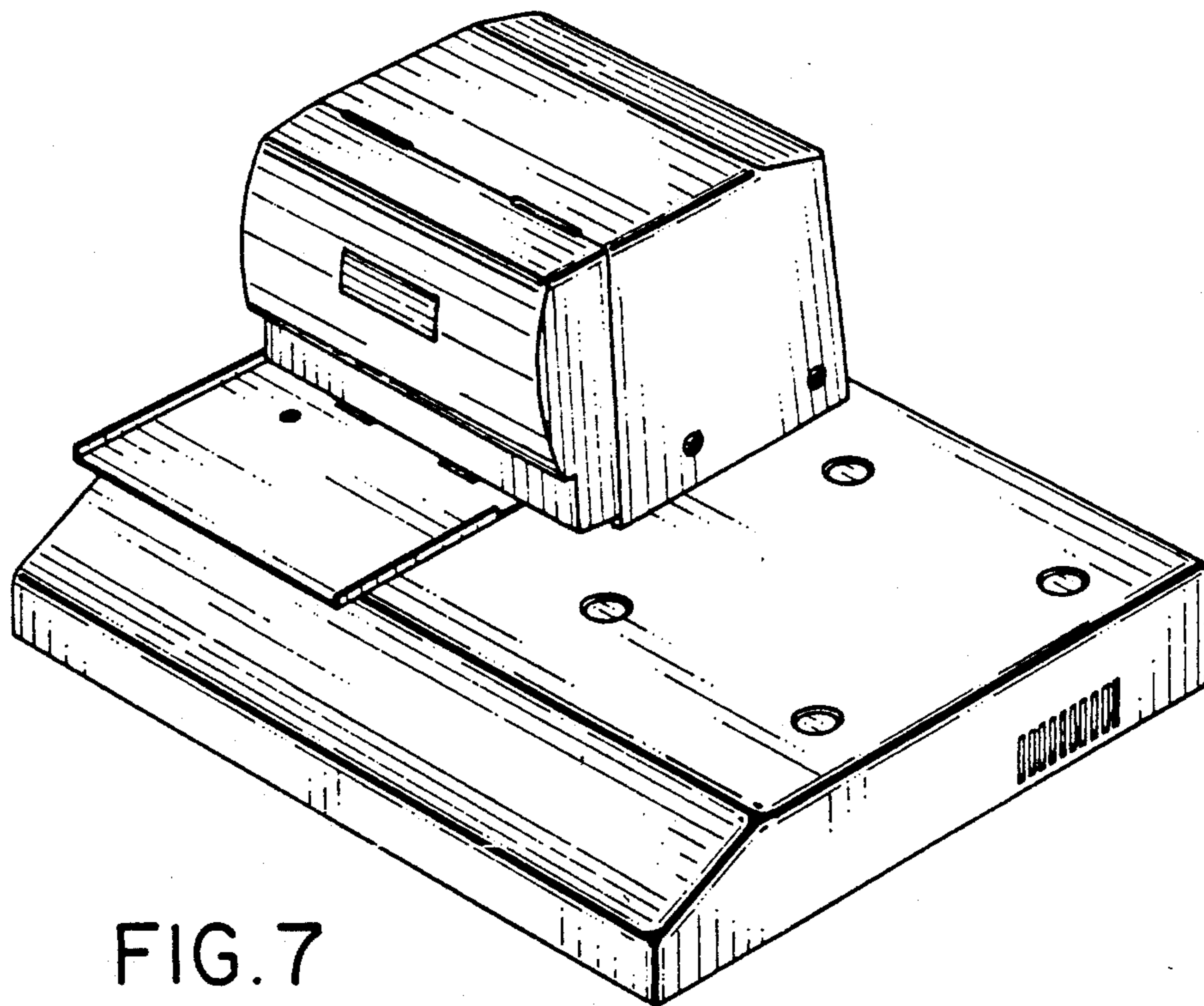
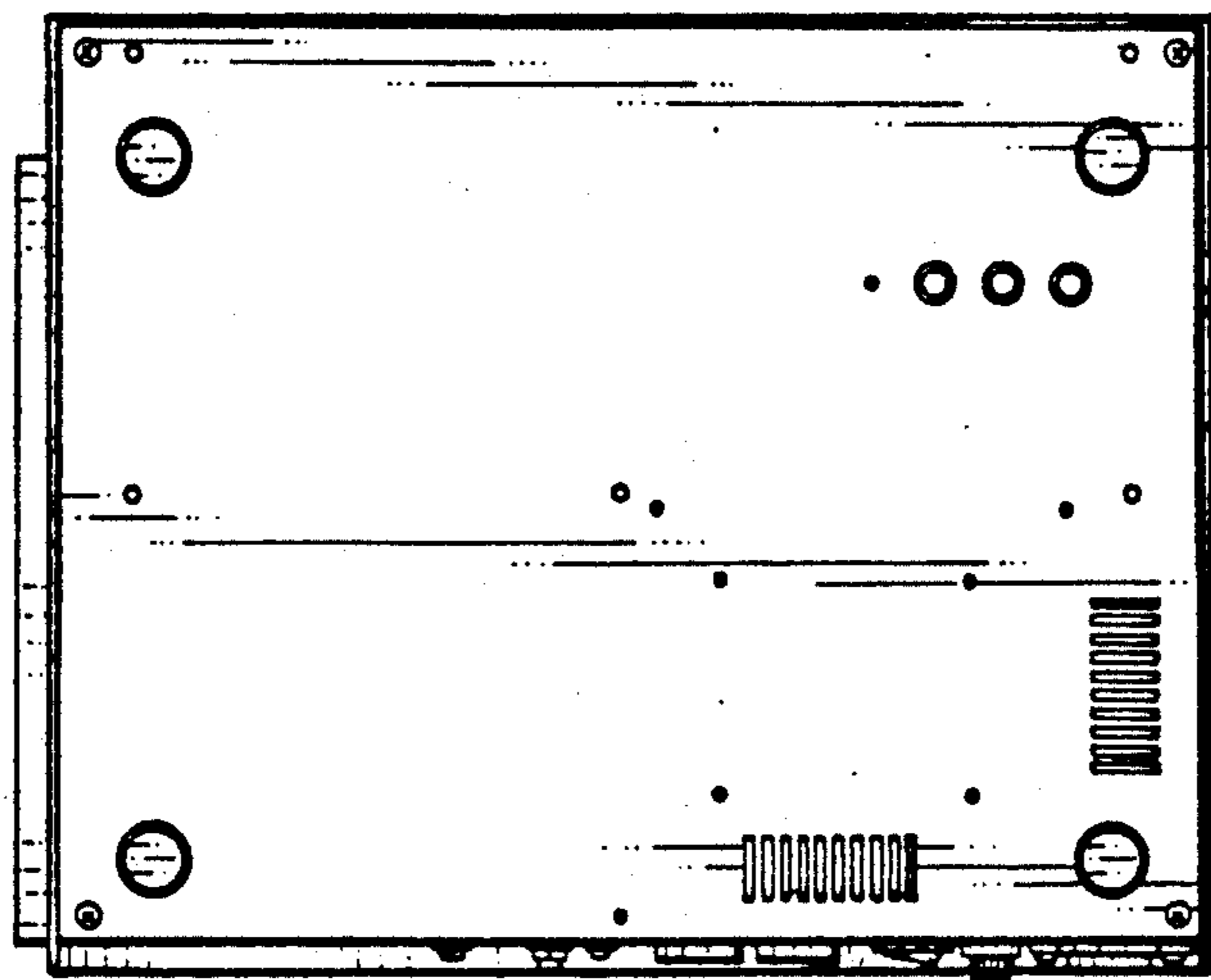


FIG. 7