

[54] ELECTRICAL CONNECTOR HOUSING

4,749,372 6/1988 Betsui ..... 439/587

[75] Inventors: Kenji Takenouchi; Toshihiko Makita; Teruhisa Norizuki, all of Shizuoka, Japan

Primary Examiner—Susan J. Lucas  
Assistant Examiner—J. Sincavage  
Attorney, Agent, or Firm—Armstrong, Nikaido, Marmelstein, Kubovcik & Murray

[73] Assignee: Yazaki Corporation, Tokyo, Japan

[57] CLAIM

[\*\*] Term: 14 Years

The ornamental design for a electrical connector housing, as shown and described.

[21] Appl. No.: 297,362

DESCRIPTION

[22] Filed: Jan. 17, 1989

FIG. 1 is a top plan view of an electrical connector housing showing our new design;  
FIG. 2 is a front elevational view thereof;  
FIG. 3 is a bottom plan view thereof;  
FIG. 4 is a left side elevational view thereof;  
FIG. 5 is a right side elevational view thereof;  
FIG. 6 is a rear elevational view thereof;  
FIG. 7 is a cross-sectional view thereof taken along line 7—7 of FIG. 2;  
FIG. 8 is a cross-sectional view thereof taken along line 8—8 of FIG. 2;  
FIG. 9 is a cross-sectional view thereof taken along line 9—9 of FIG. 2;  
FIG. 10 is a top, rear and left side perspective view thereof showing the parts separated for the purpose of a complete disclosure.

[30] Foreign Application Priority Data

Jul. 15, 1988 [JP] Japan ..... 63-28046

[52] U.S. Cl. .... D13/147

[58] Field of Search ..... D13/133, 146, 147;  
439/246-248, 259, 282, 296, 299, 345, 350,  
351-353, 357, 358, 374, 529, 533, 575, 586, 587,  
592-598, 600, 656, 668, 678, 679, 680, 682, 685,  
686, 691, 692, 695, 701, 723, 724, 729

[56] References Cited

U.S. PATENT DOCUMENTS

D. 310,993 10/1990 Ohkura et al. .... D13/146  
3,501,736 3/1970 Norris ..... 439/353  
4,655,527 4/1987 Vandame ..... 439/350

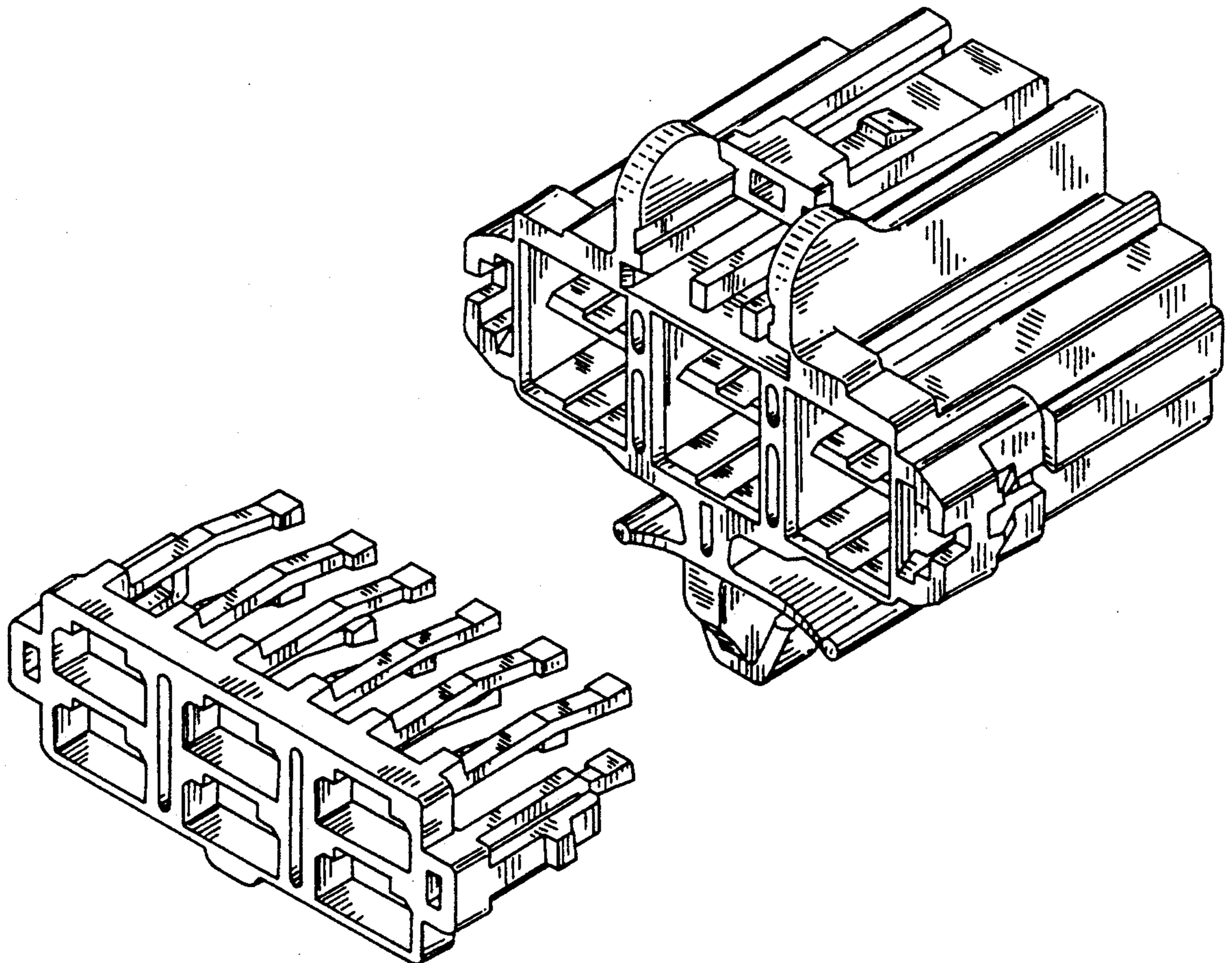


Fig. 1

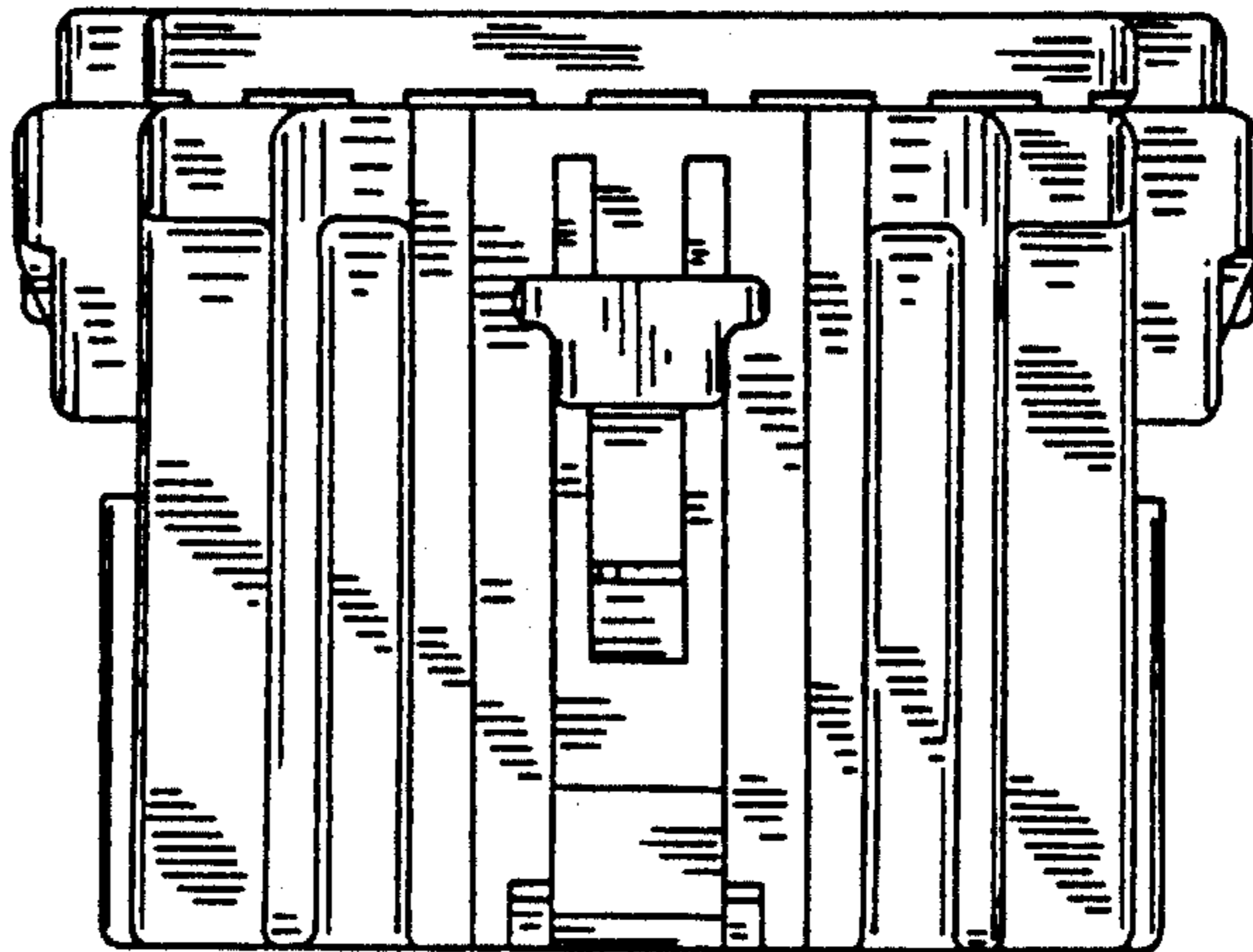


Fig. 2

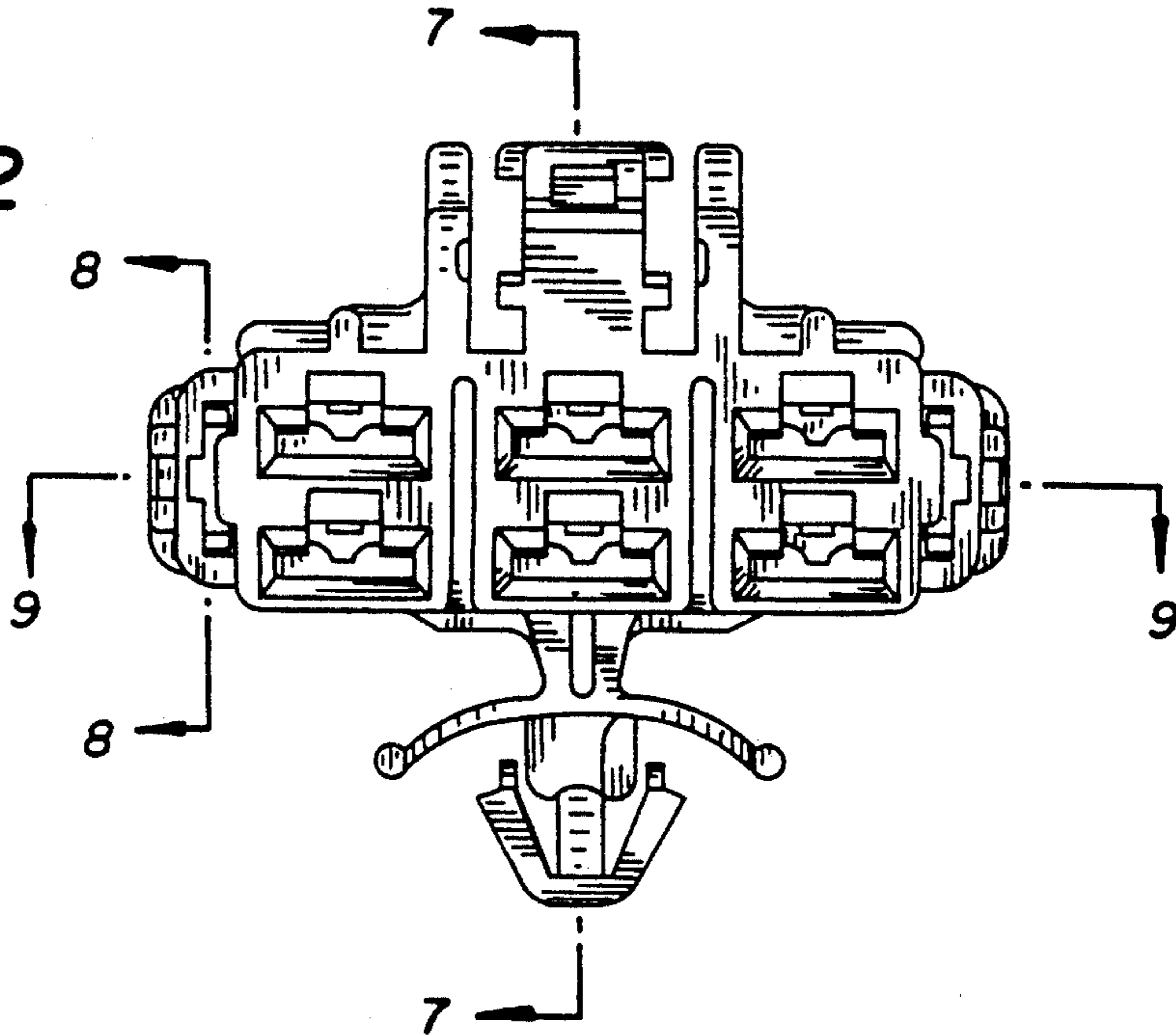
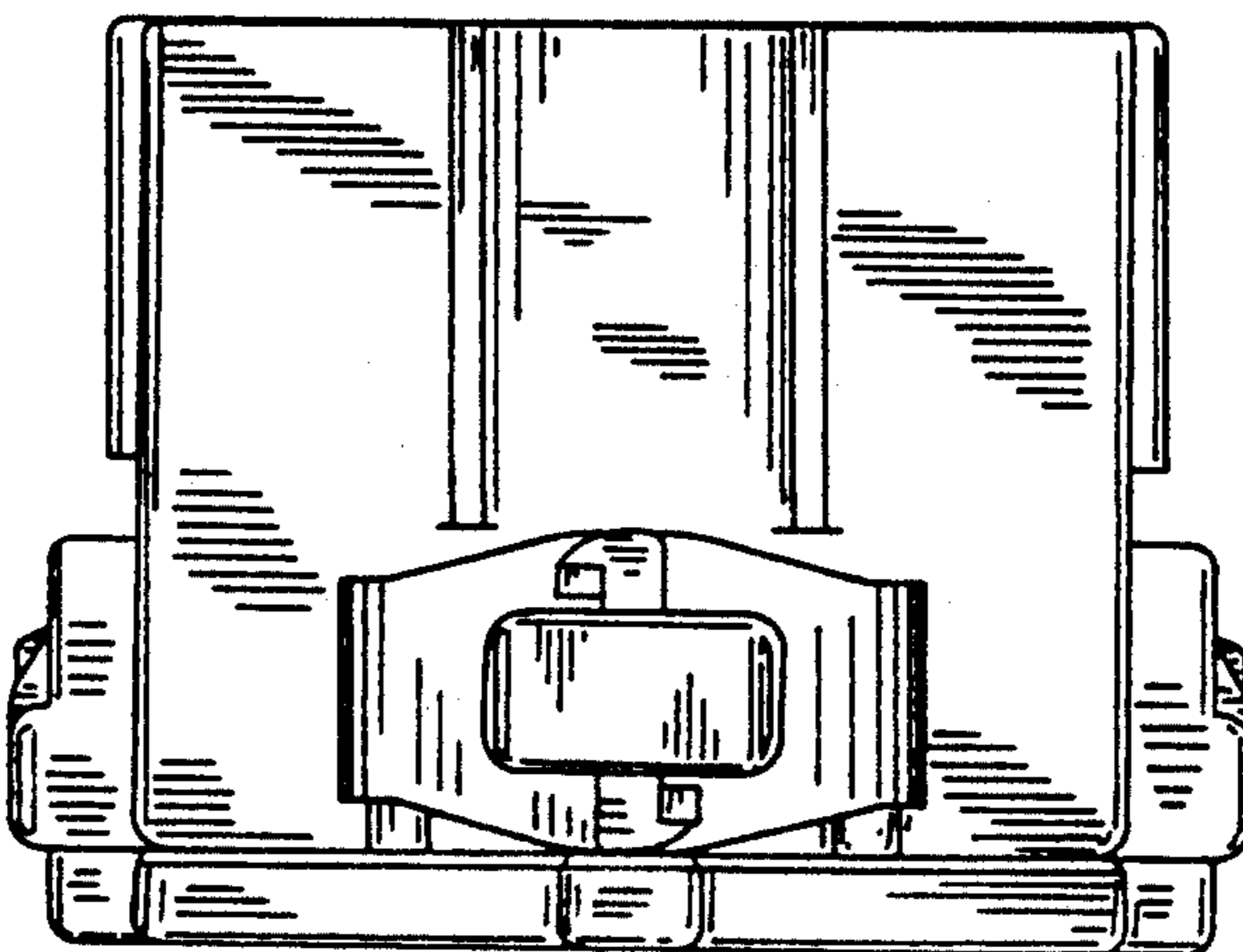
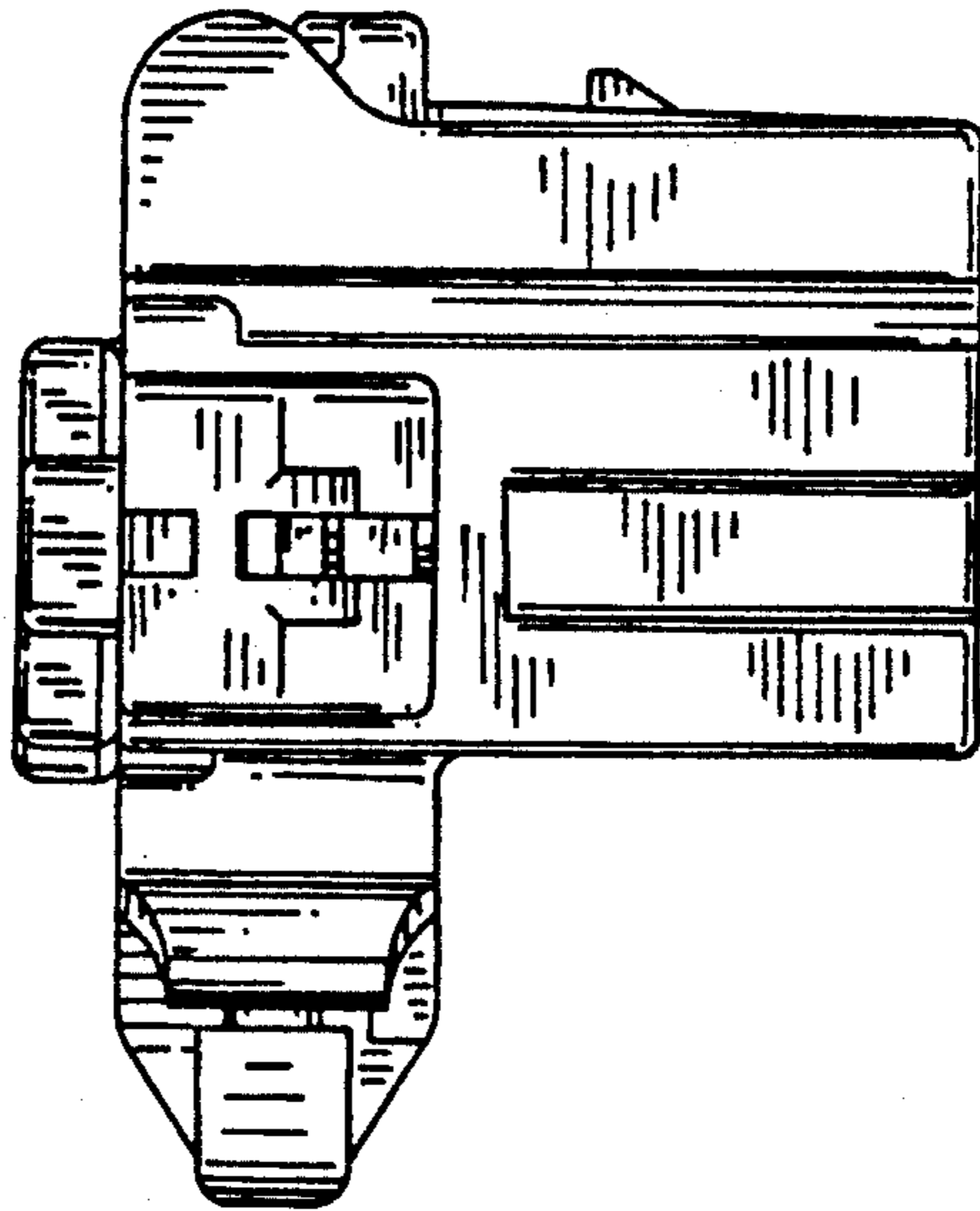


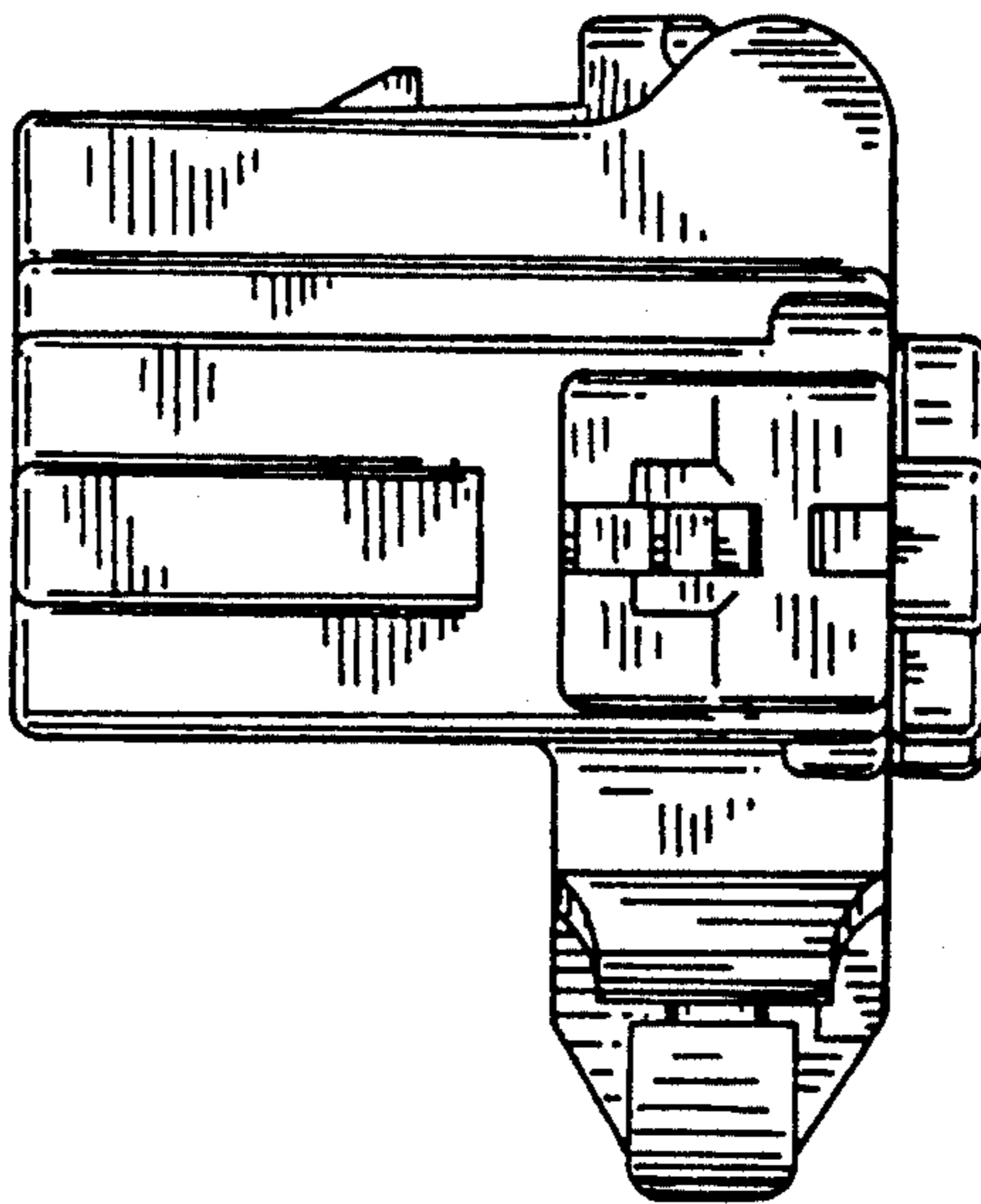
Fig. 3



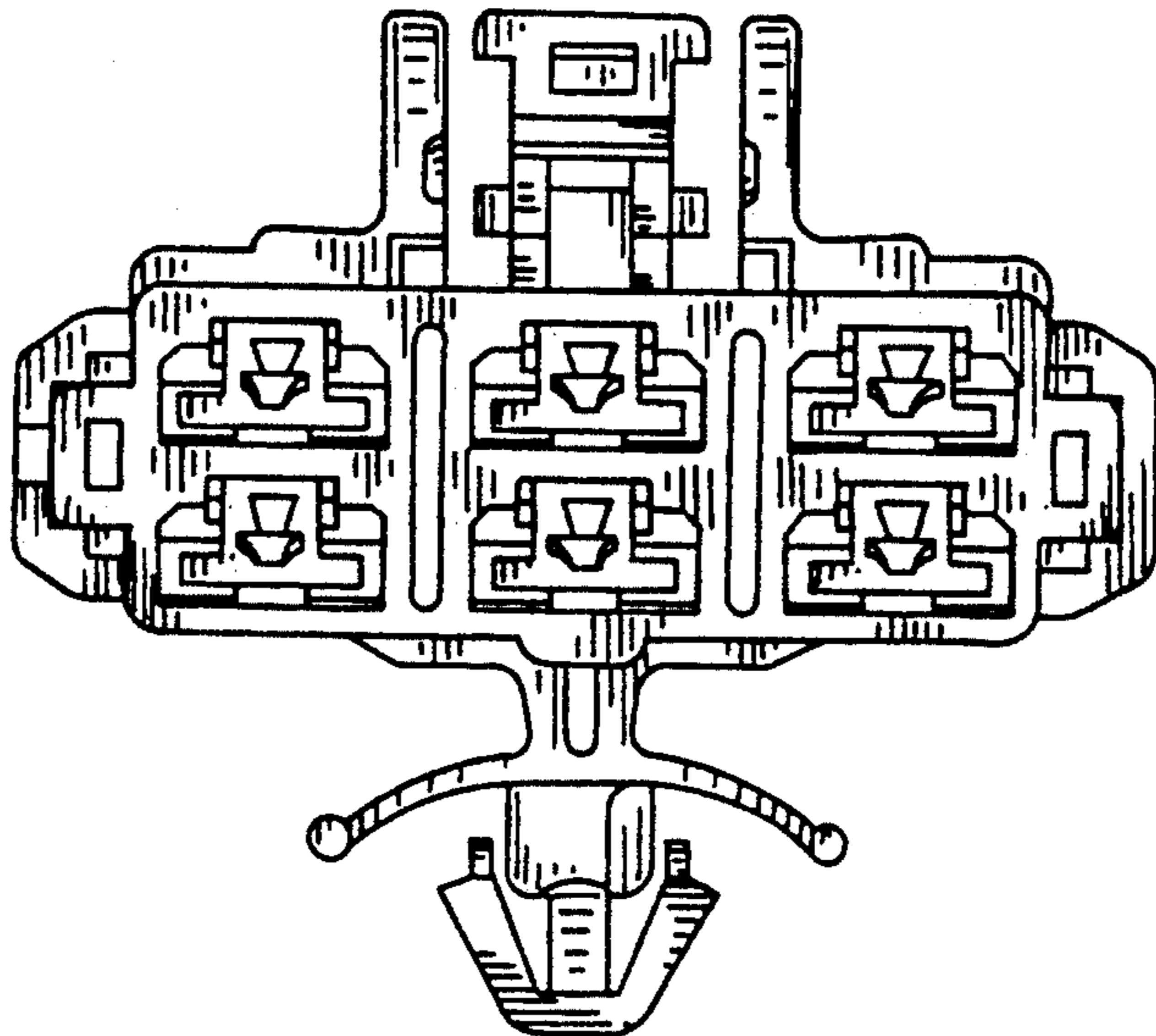
*Fig. 4*



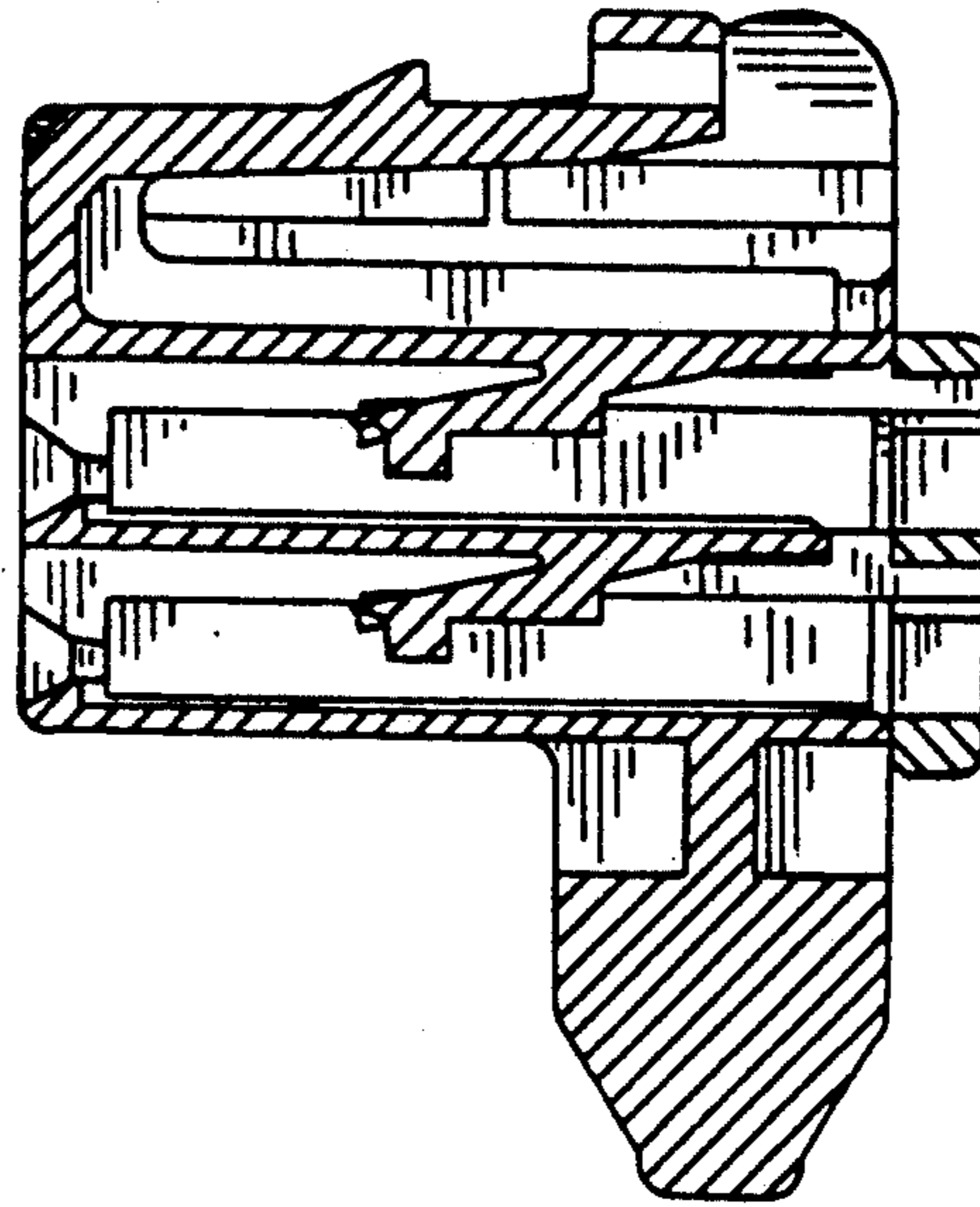
*Fig. 5*



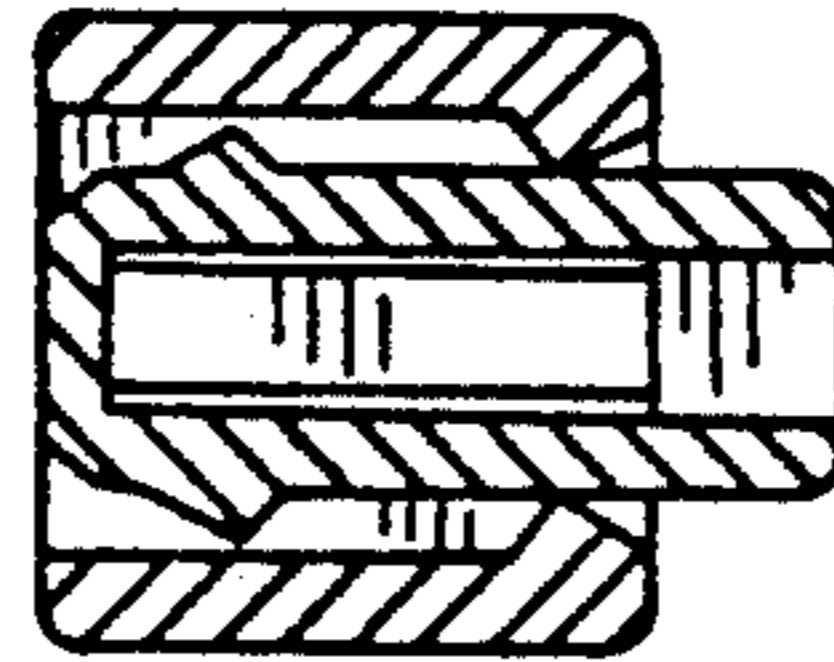
*Fig. 6*



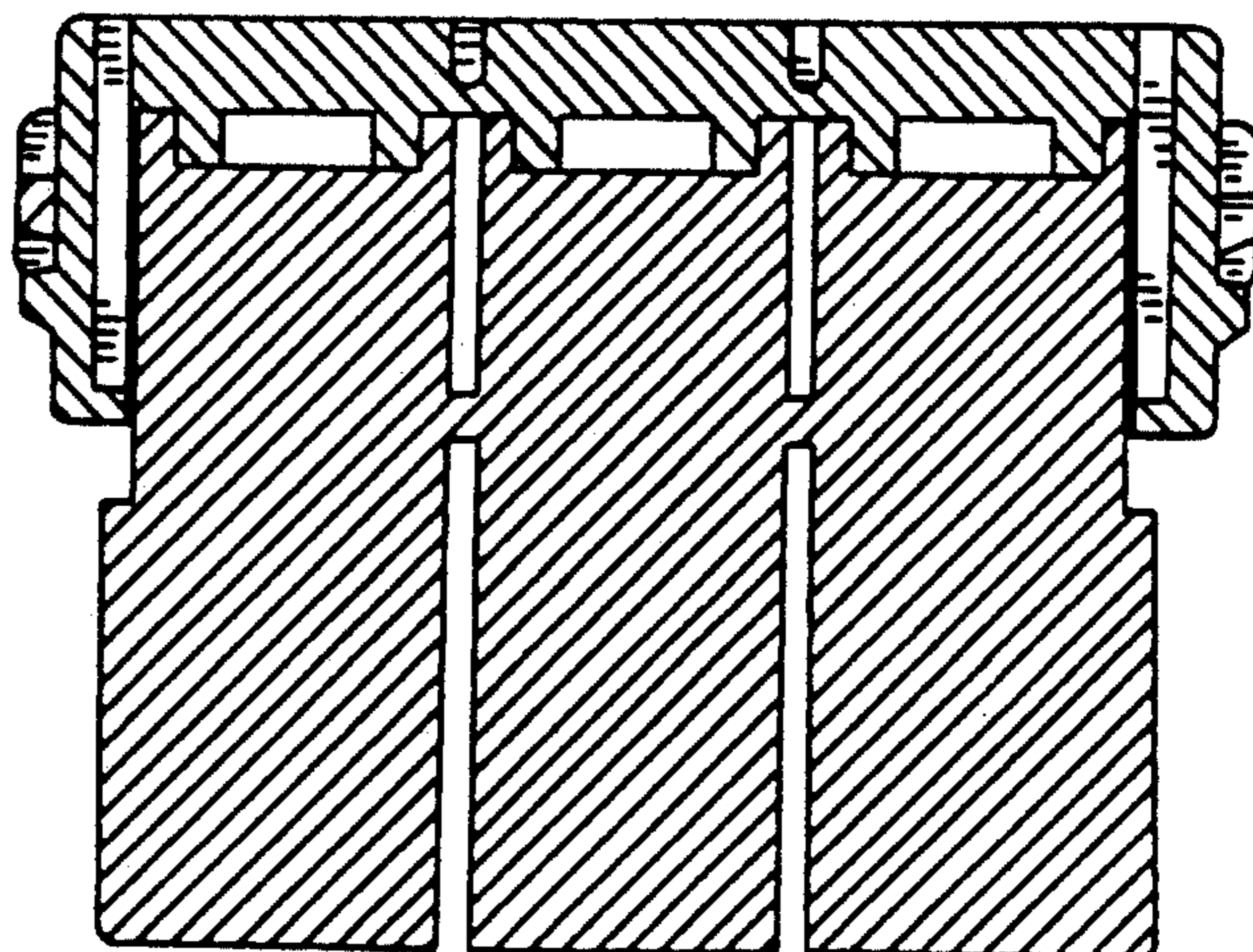
*Fig. 7*



*Fig. 8*



*Fig. 9*



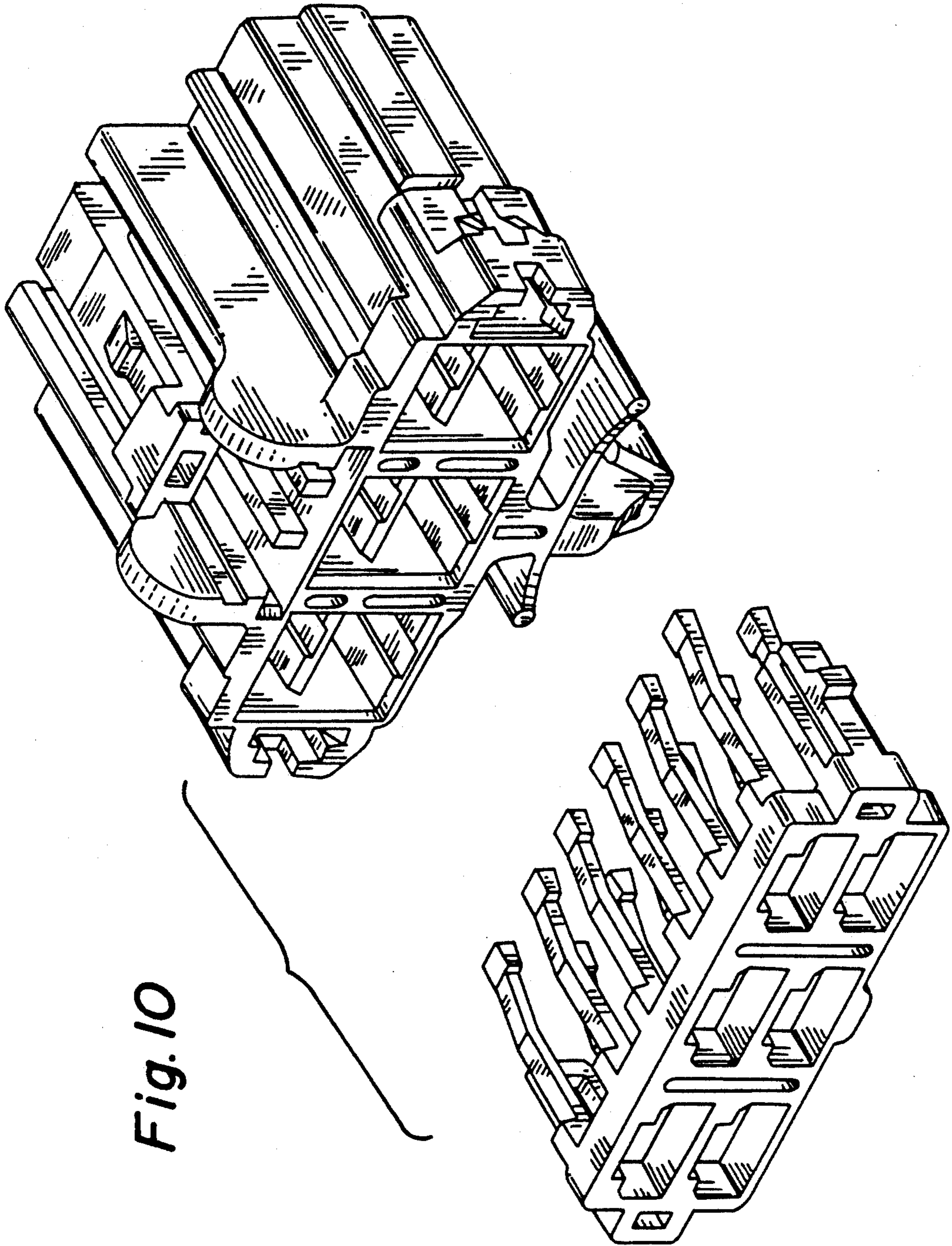


Fig. 10