

[54] TRAILER HITCH

[75] Inventor: Stephen C. McGrady, Long Beach, Calif.

[73] Assignee: Thomas McGrady, Rocklin, Calif.

[**] Term: 14 Years

[21] Appl. No.: 381,777

[22] Filed: Jul. 18, 1989

[52] U.S. Cl. D12/162

[58] Field of Search D12/162; 280/477, 507

[56] References Cited

U.S. PATENT DOCUMENTS

- D. 311,511 10/1990 Craig D12/162
- 4,781,394 11/1988 Schwarz et al. 280/477

- 4,840,392 6/1989 Baskett 280/507
- 4,871,184 10/1989 Johnson 280/477

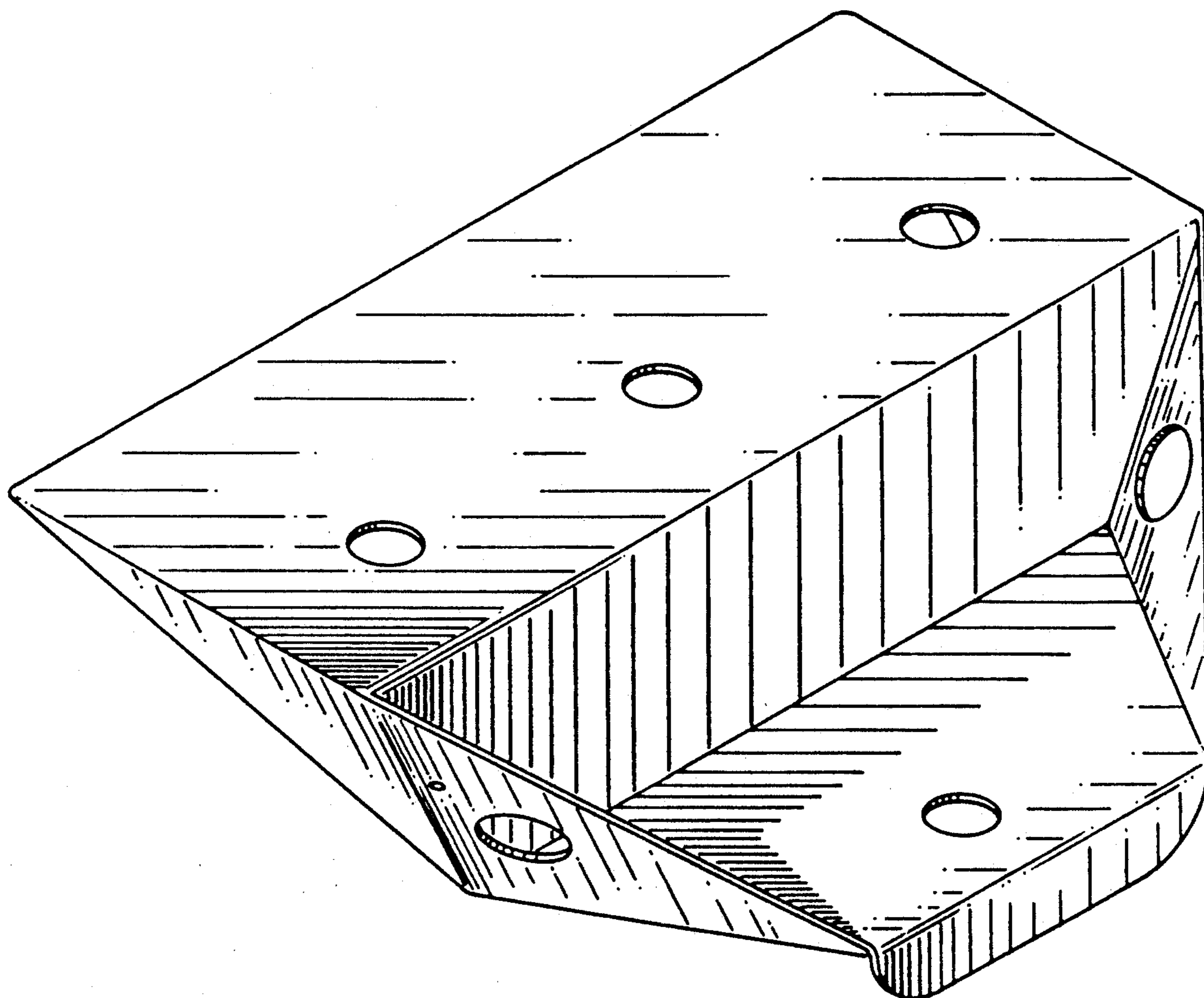
Primary Examiner—James M. Gandy
 Assistant Examiner—Melody Brown
 Attorney, Agent, or Firm—Joseph E. Gerber

[57] CLAIM

The ornamental design for a trailer hitch, as shown.

DESCRIPTION

FIG. 1 is a right front perspective view of a trailer hitch showing my new design; and
 FIG. 2 is a top plan view thereof;
 FIG. 3 is a rear elevational view thereof;
 FIG. 4 is a front elevational view thereof;
 FIG. 5 is a left side elevational view thereof;
 FIG. 6 is a bottom plan view thereof; and
 FIG. 7 is a right side elevational view thereof.



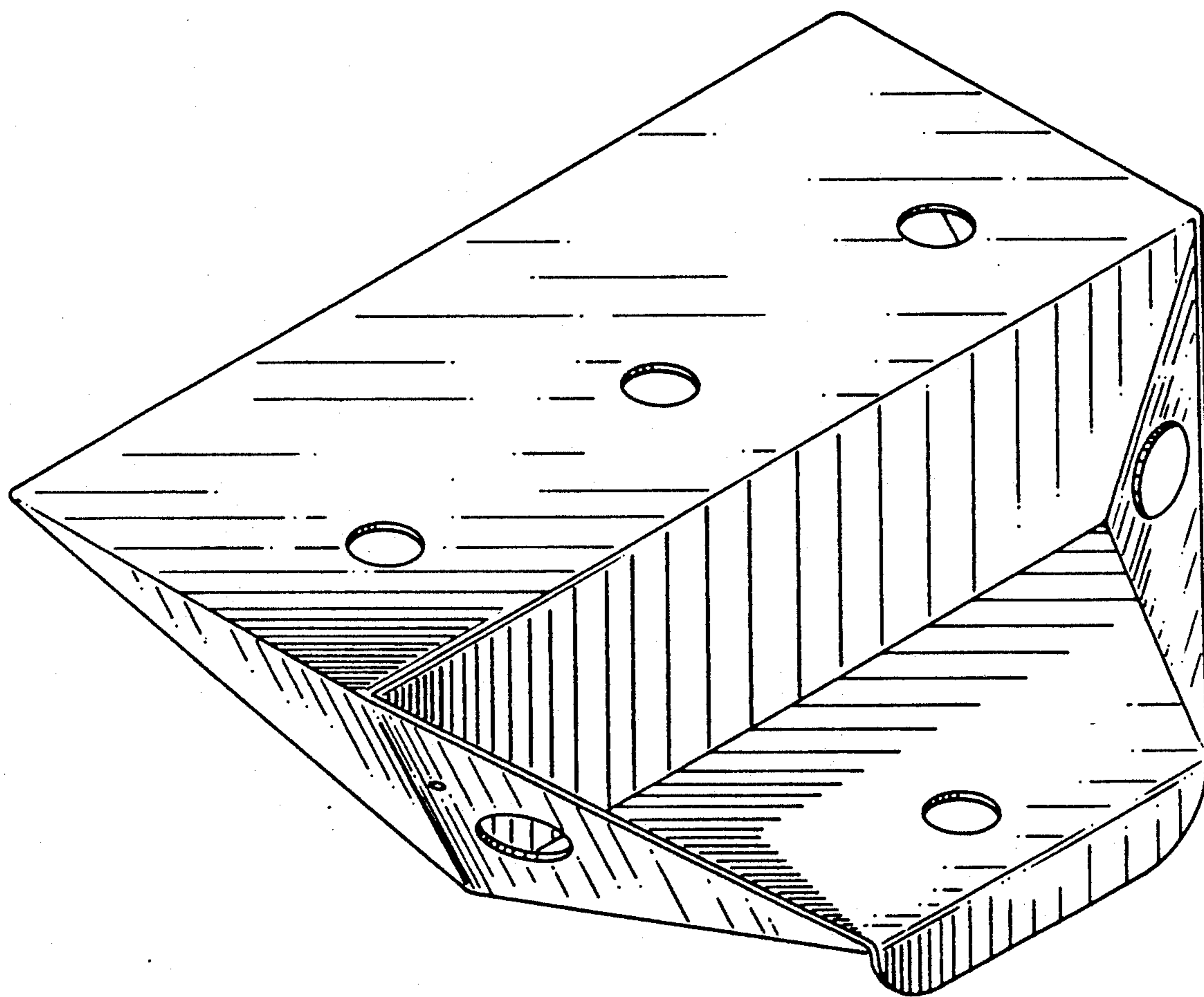


FIG.-1

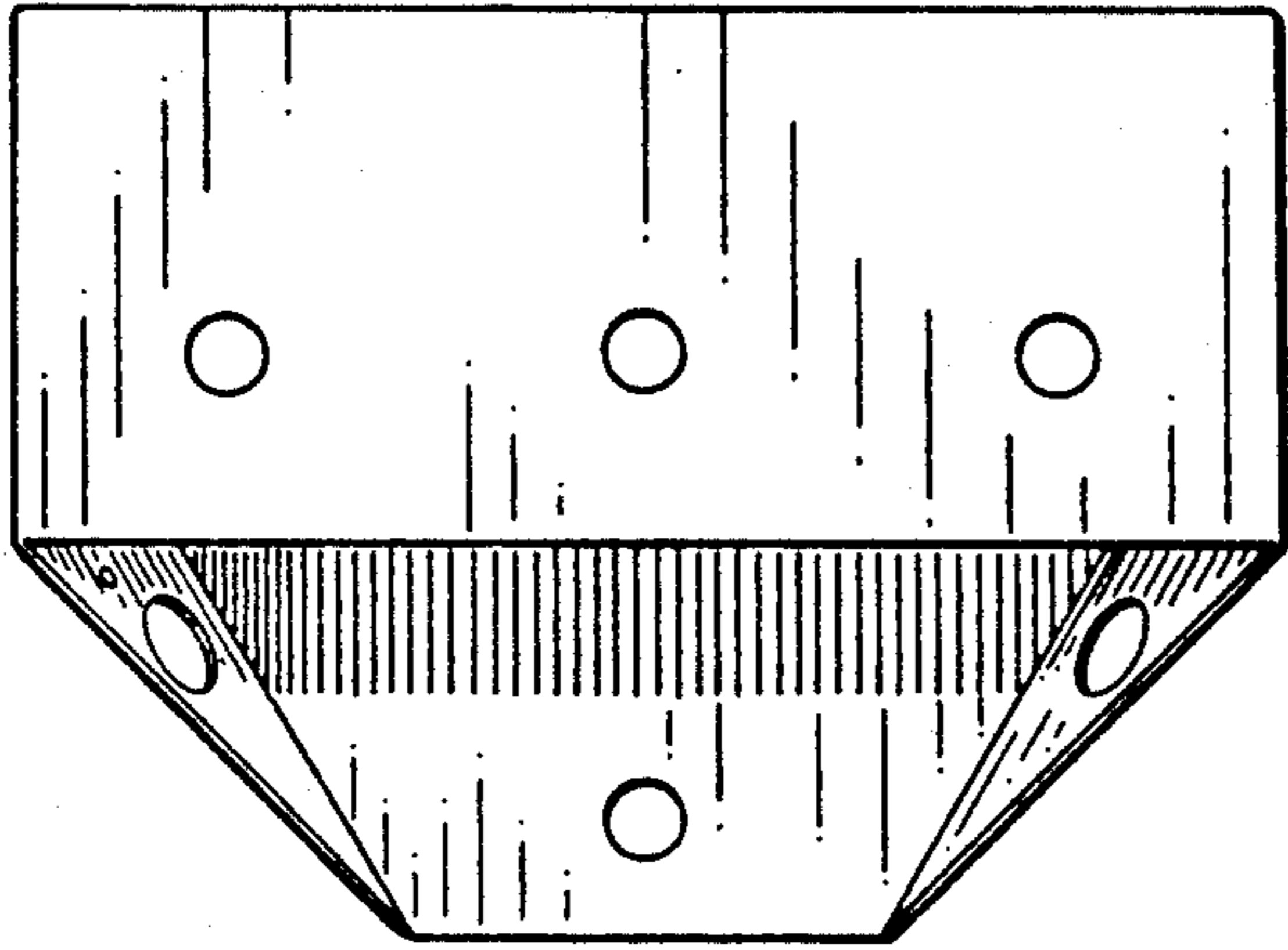


FIG.-2

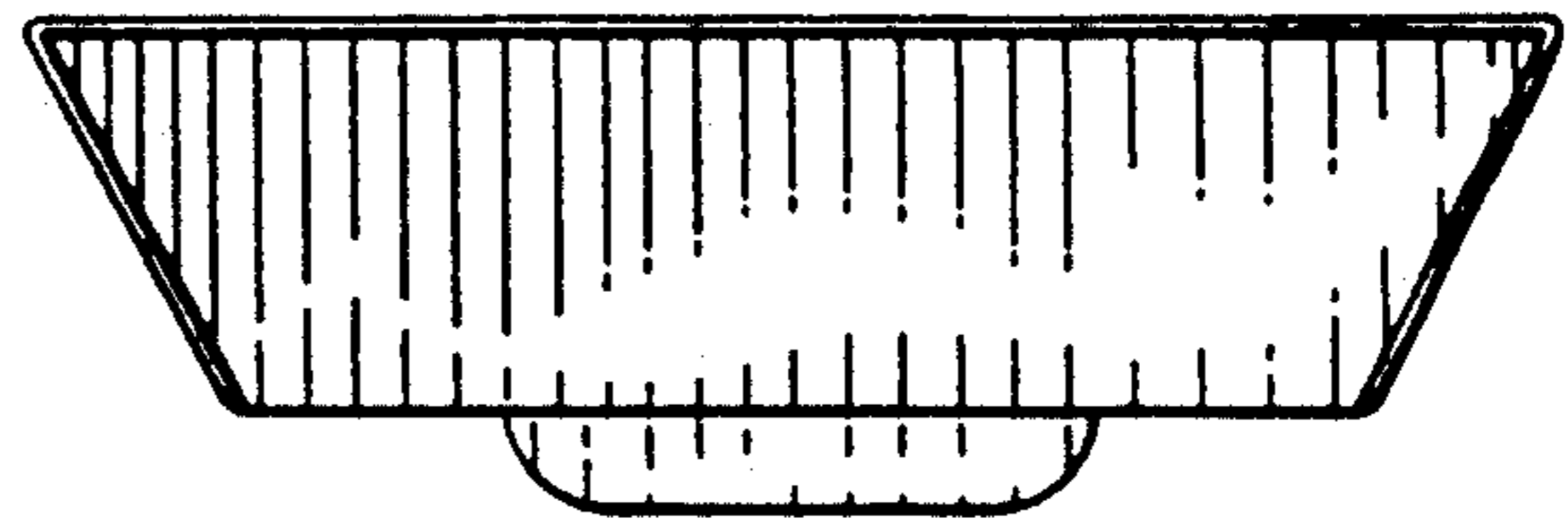


FIG.-3



FIG.-4

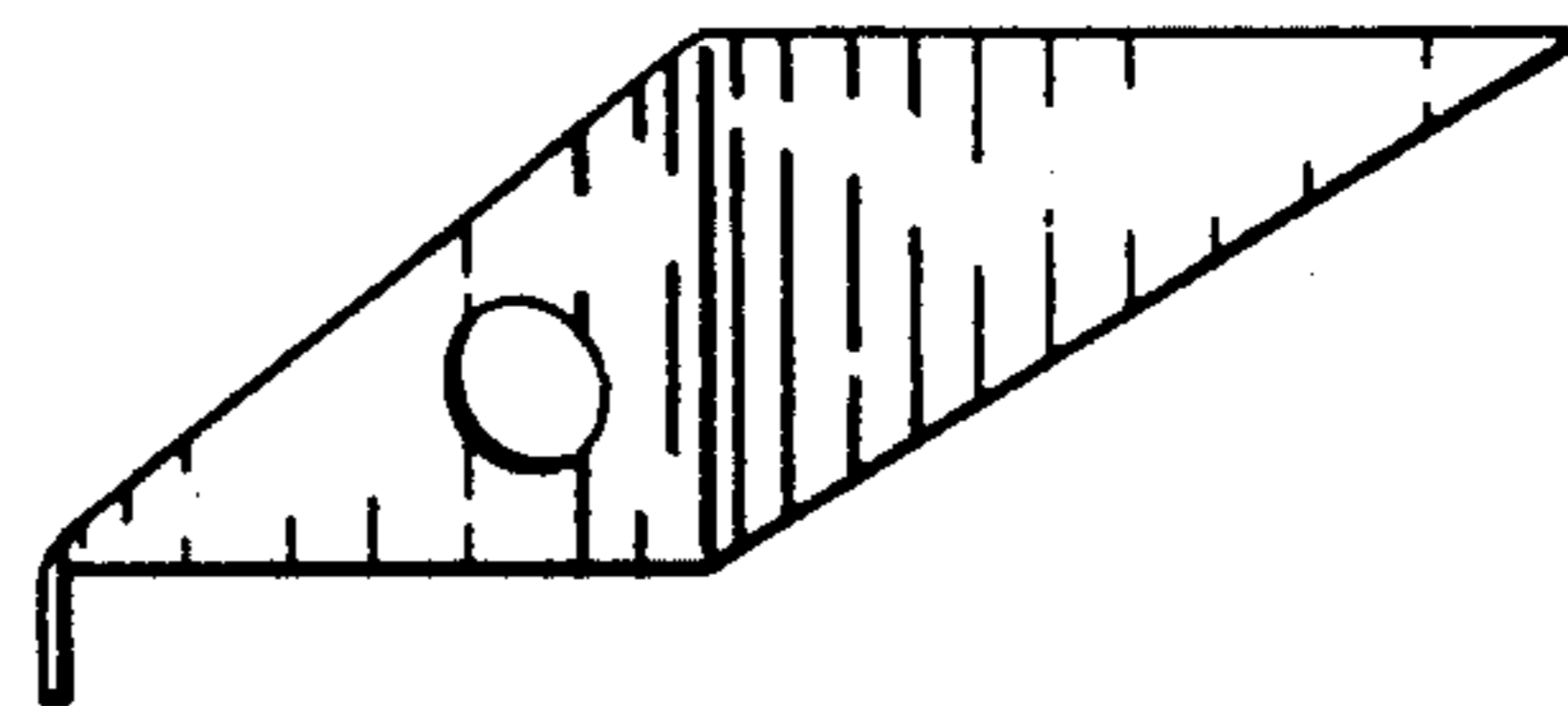


FIG.-5

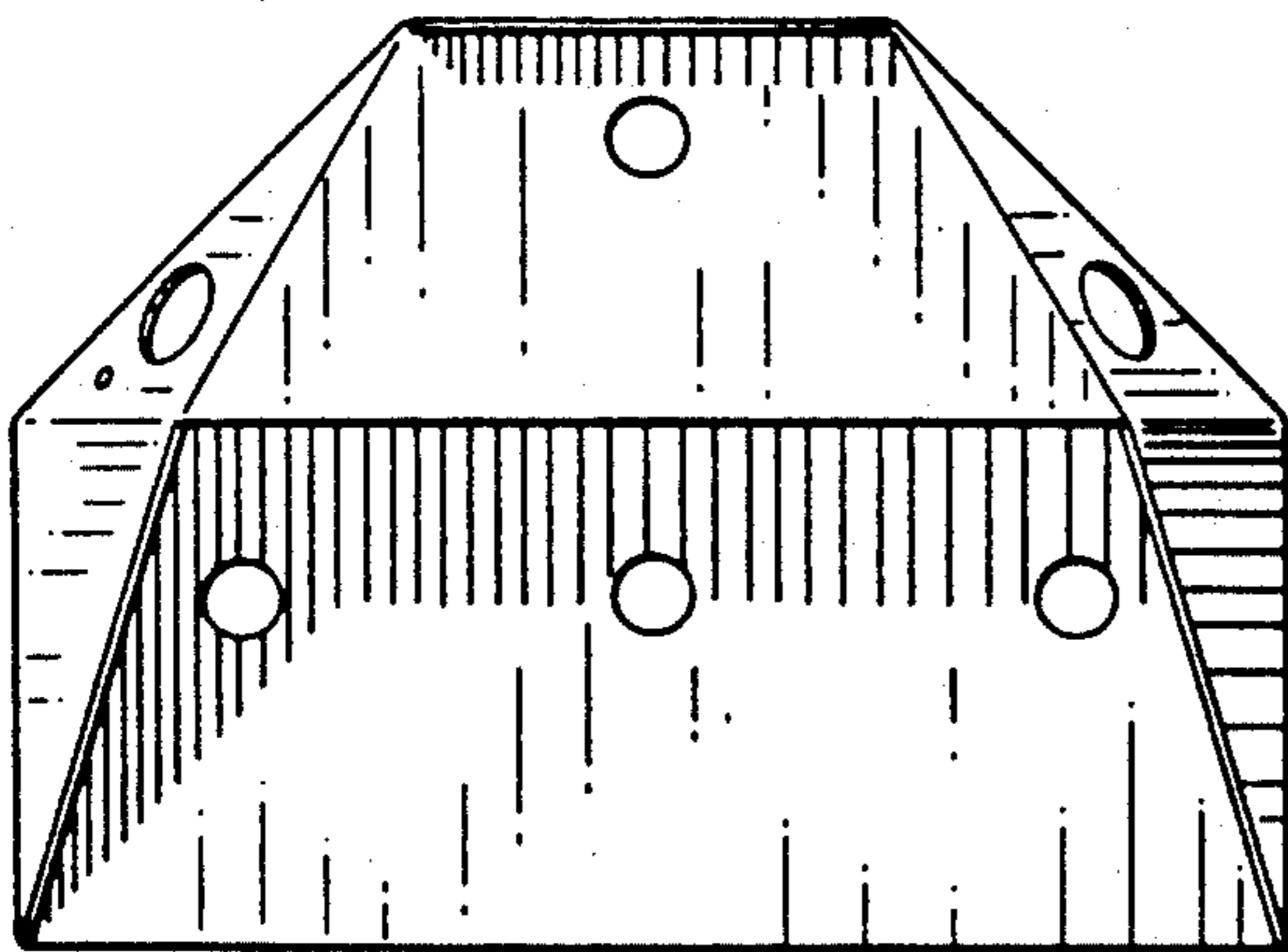


FIG.-6

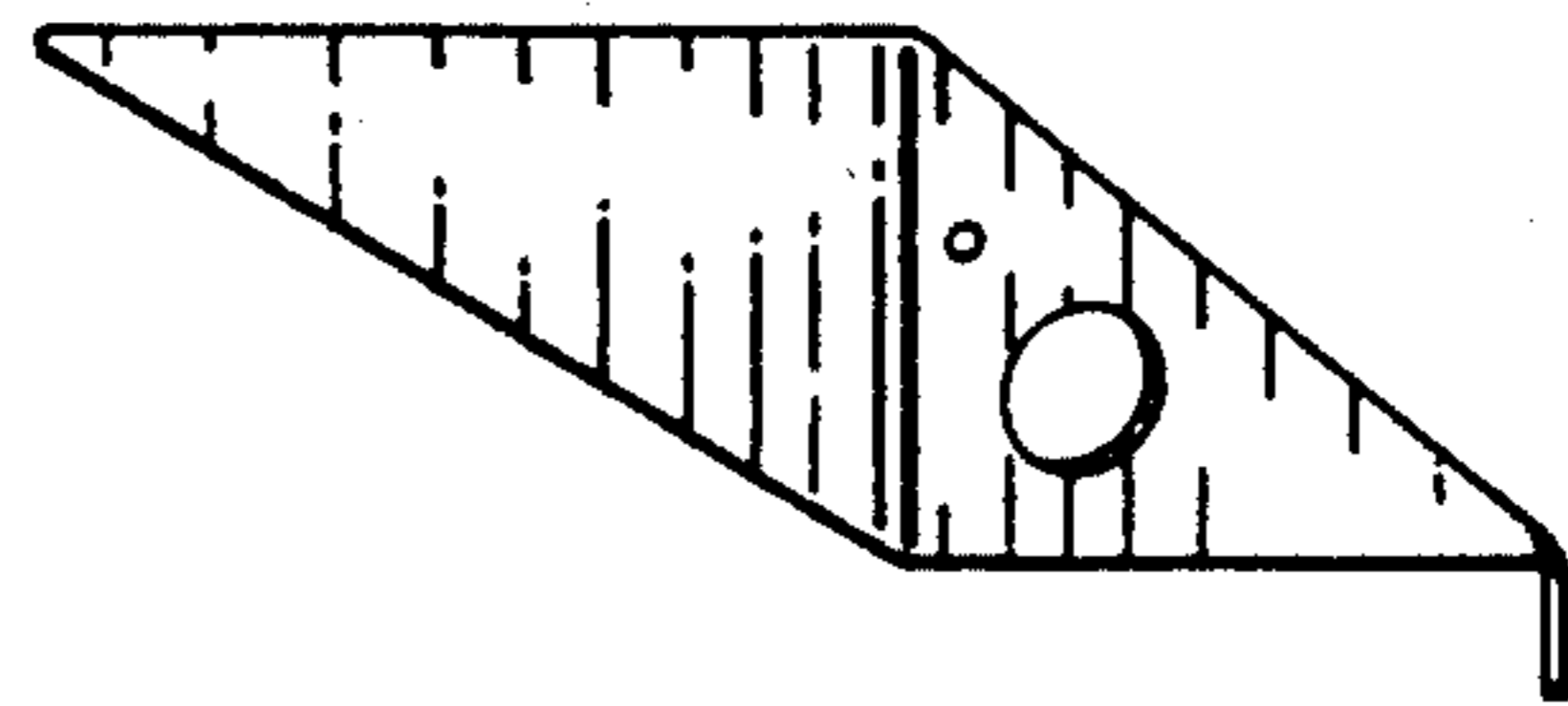


FIG.-7