

[54] INTERROGATION GATE FOR AN ELECTRONIC ARTICLE SURVEILLANCE SYSTEM

D. 307,400	4/1990	Armstrong et al.	D10/106
3,950,696	4/1976	Miller et al.	340/568
4,274,090	6/1981	Cooper	340/568
4,384,281	5/1983	Cooper	340/572

[75] Inventors: Steven P. Belletire; Stanley T. Gresens; Roland W. Rubertus; Peter J. Zarembo, all of St. Paul, Minn.

Primary Examiner—A. Hugo Word
Assistant Examiner—Doris Clark
Attorney, Agent, or Firm—Gary L. Griswold; Walter N. Kirn; William B. Barte

[73] Assignee: Minnesota Mining and Manufacturing Company, St. Paul, Minn.

[**] Term: 14 Years

[21] Appl. No.: 250,123

[22] Filed: Sep. 27, 1988

[52] U.S. Cl. D10/106; D25/39

[58] Field of Search D25/50-51, D25/39-40; D10/106-121; 340/568, 571, 572, 574, 578; 256/73; 109/2, 5, 6, 10, 11-12, 58

[56] References Cited

U.S. PATENT DOCUMENTS

D. 297,221 8/1988 Podhrasky D10/106

[57] CLAIM

The ornamental design for an interrogation gate for an electronic article surveillance system, as shown.

DESCRIPTION

FIG. 1 is a perspective view of an interrogation gate for an electronic article surveillance system showing our new design;

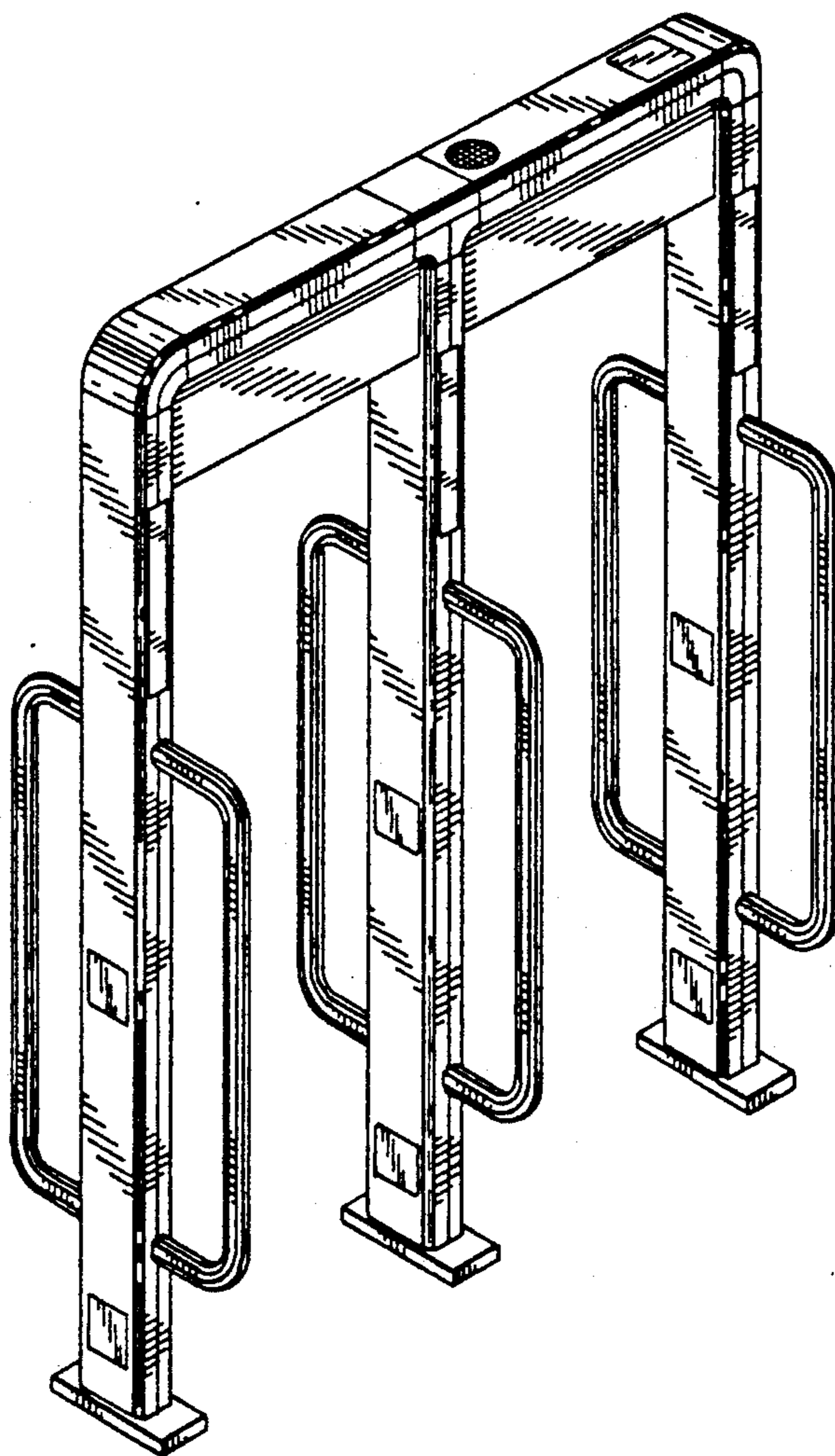
FIG. 2 is a front elevational view thereof;

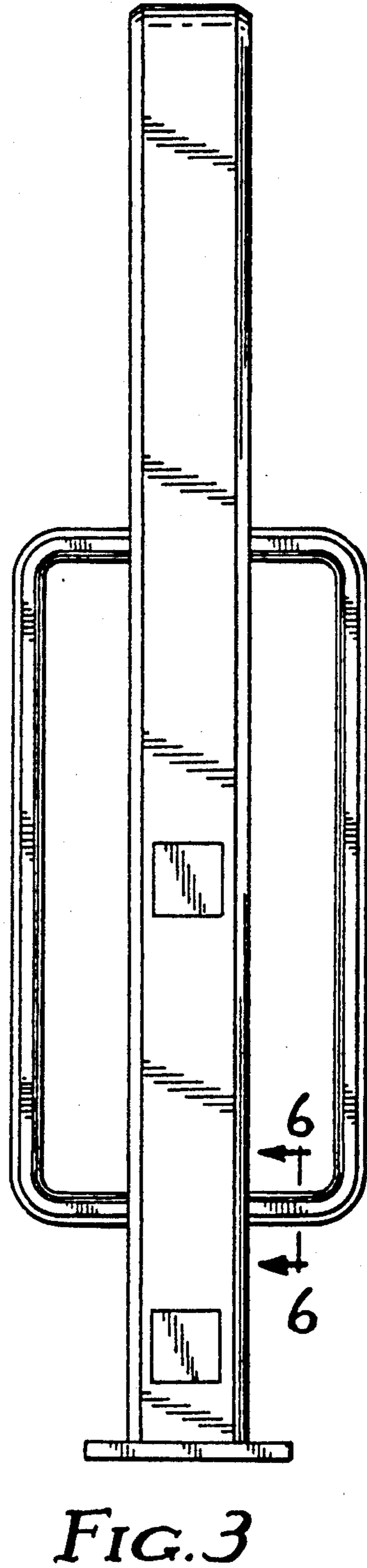
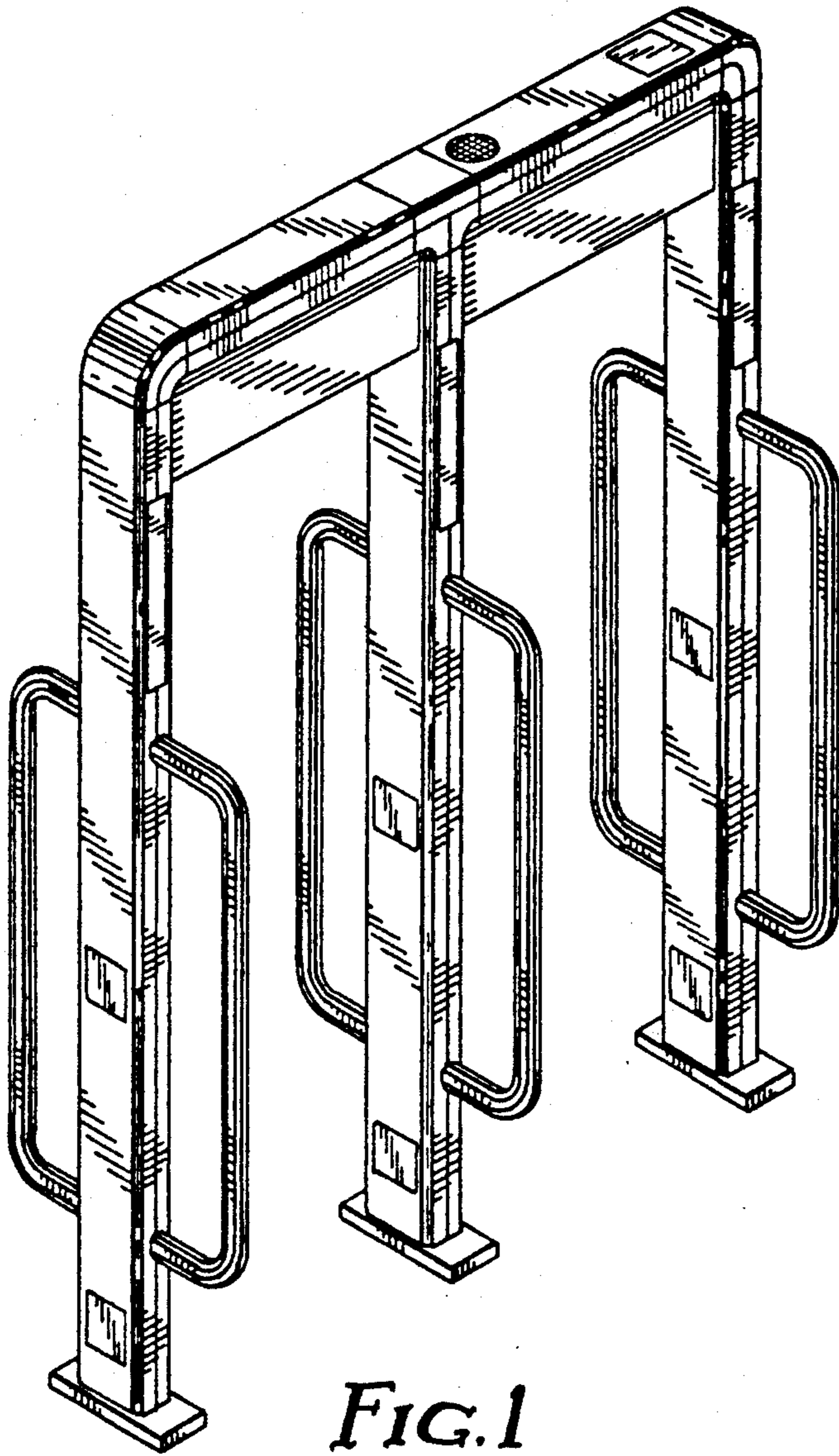
FIG. 3 is an end elevational view thereof;

FIG. 4 is a top plan view thereof;

FIG. 5 is a bottom plan view thereof; and

FIG. 6 is a fragmentary cross-sectional view taken along lines 6-6 of FIG. 3.





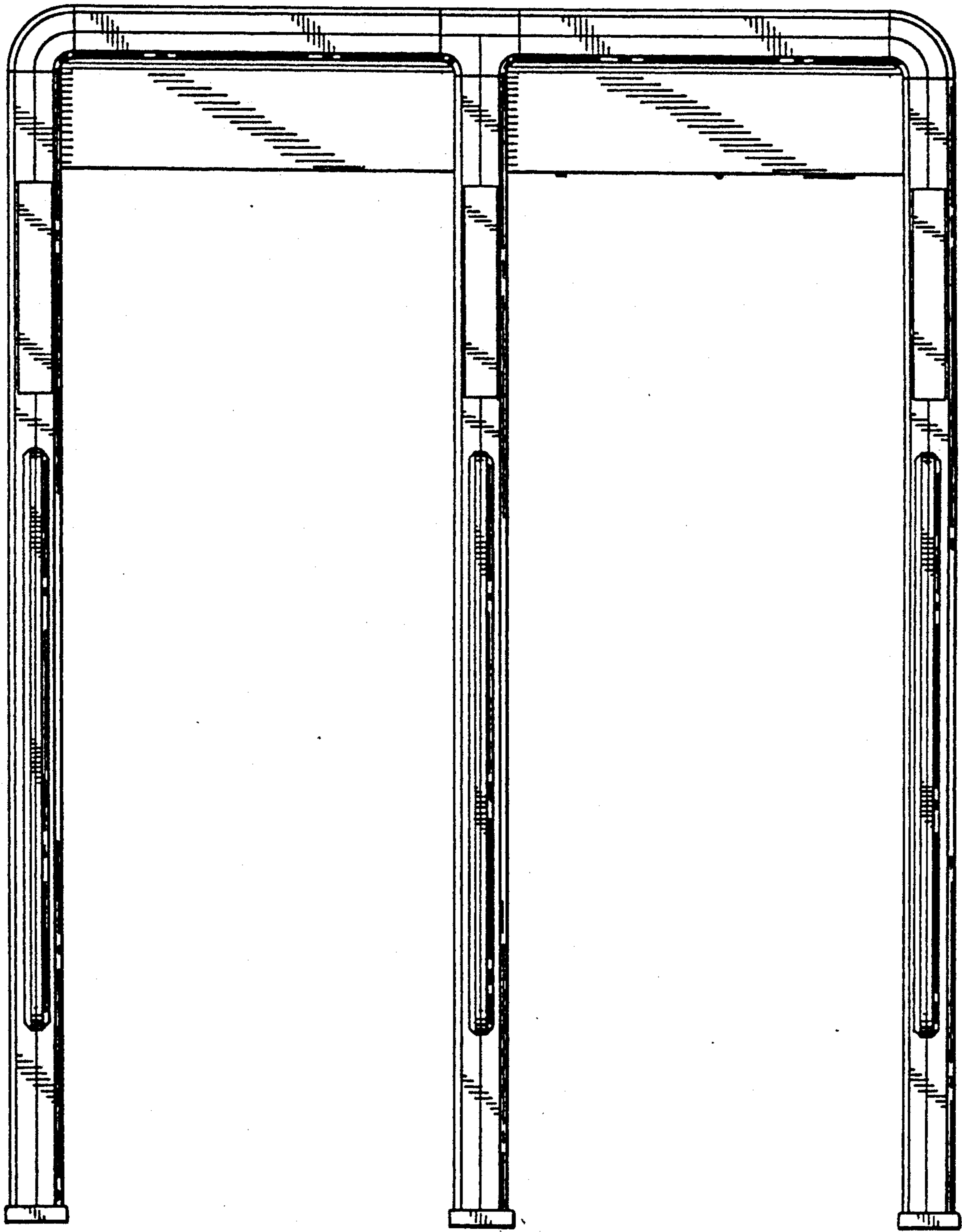


FIG. 2

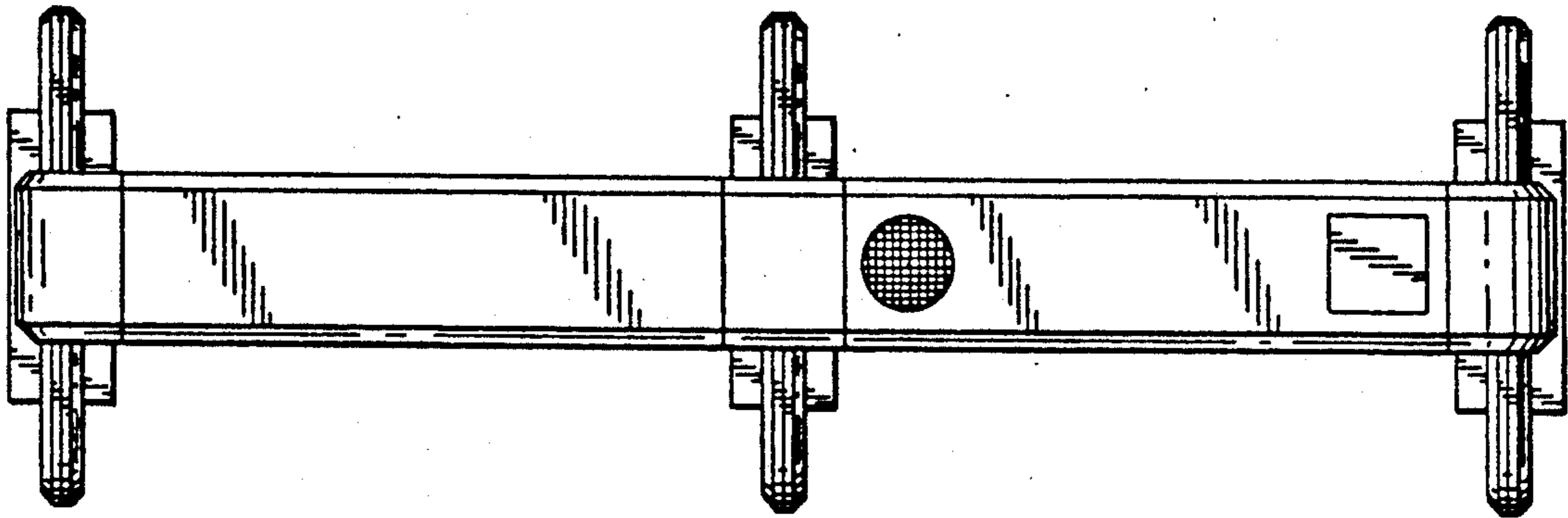


FIG. 4

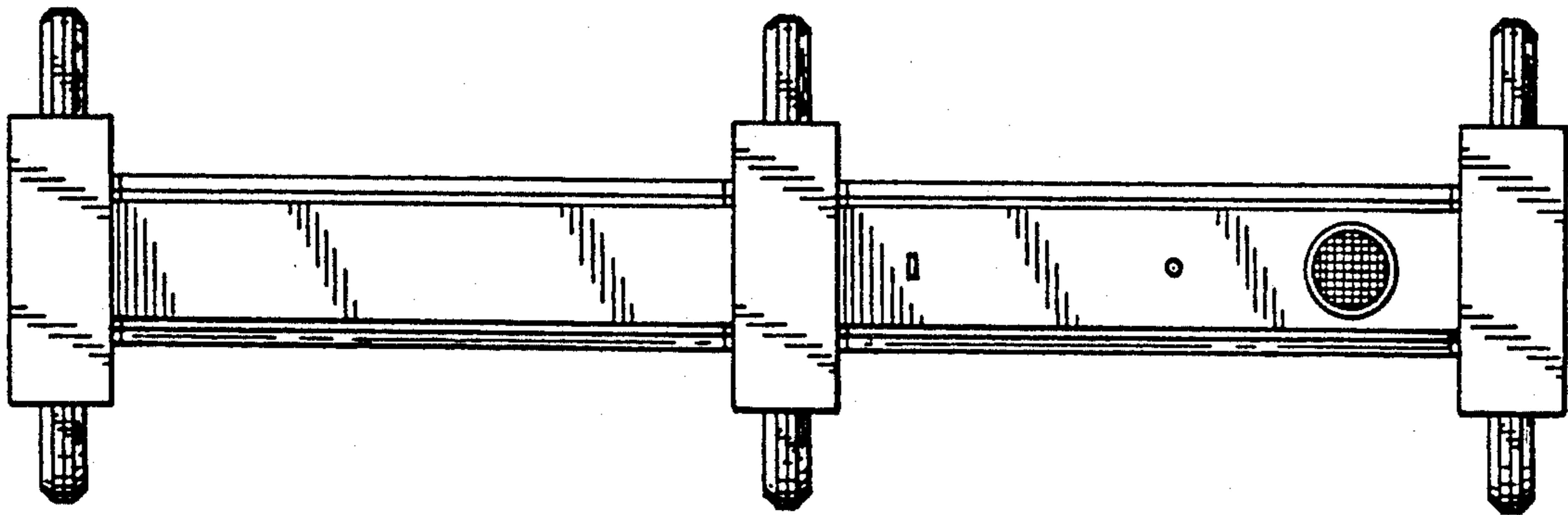


FIG. 5

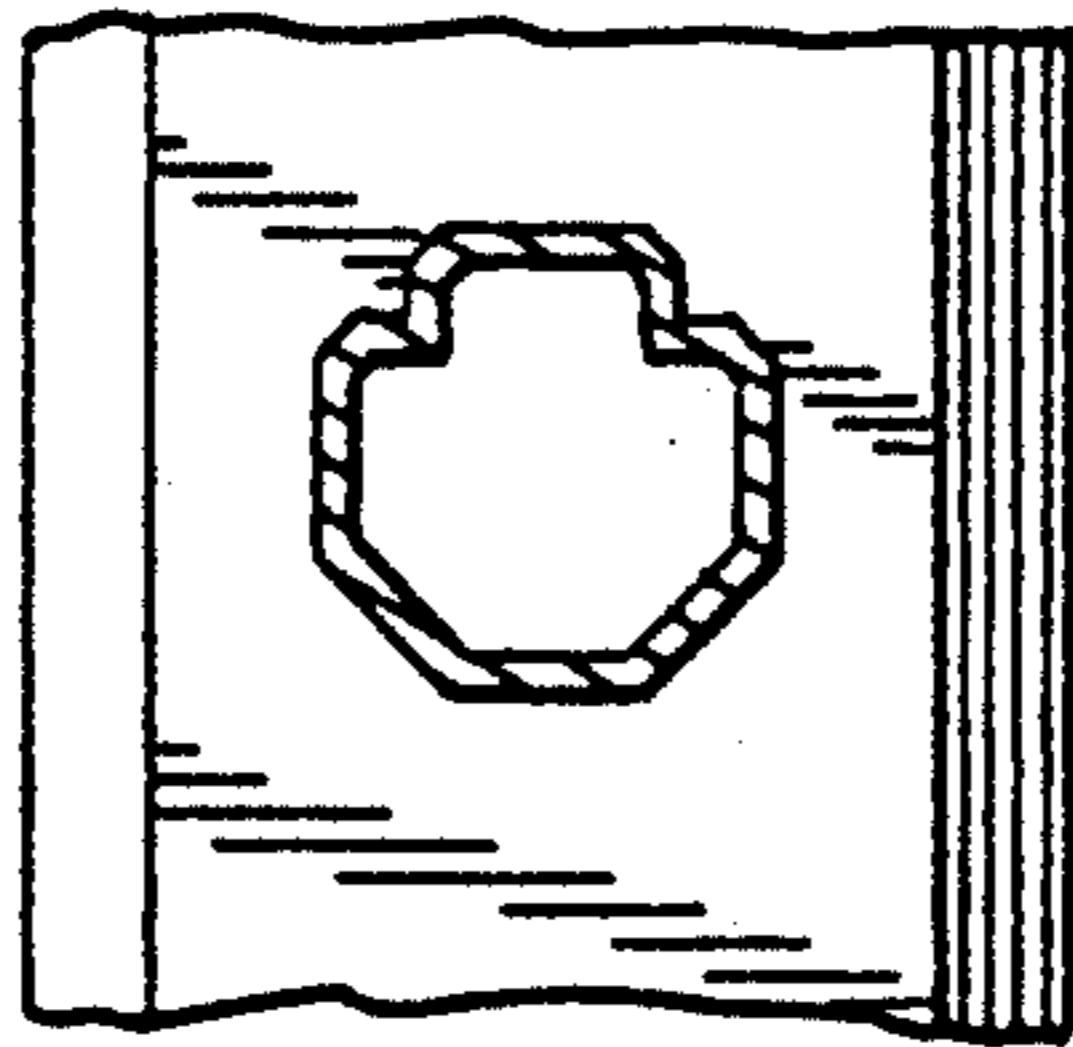


FIG. 6